

[54] VACUUM CLEANER

[75] Inventors: Isshin Miyamoto; Yasuo Nagamatsu; Yasuhiko Tanaka; Masaharu Sakamoto; Masataka Hidaka; Hideaki Sakamoto; Kazuo Ishida, all of Fukuoka, Japan

[73] Assignee: Matsushita Electric Industrial Co., Ltd., Osaka, Japan

[\*\*] Term: 14 Years

[21] Appl. No.: 864,912

[22] Filed: May 19, 1986

[30] Foreign Application Priority Data

Nov. 20, 1985 [JP] Japan ..... 60-48665  
[52] U.S. Cl. .... D32/22  
[58] Field of Search ..... D32/17-18, D32/21-22, 30-34; 15/344, 320, 329, 323, 347, 350, 353, 414; 55/52

[56] References Cited

U.S. PATENT DOCUMENTS

D. 209,274 11/1967 Richards ..... D32/18

D. 211,751 7/1968 Richards ..... D32/18  
D. 280,033 8/1985 Miyamoto et al. .... D32/22  
D. 290,893 7/1987 Essex ..... D32/18  
D. 290,894 7/1987 Miyamoto et al. .... D32/18

Primary Examiner—Bruce W. Dunkins  
Assistant Examiner—Ruth Takemoto  
Attorney, Agent, or Firm—Sughrue, Mion, Zinn, Macpeak & Seas

[57] CLAIM

The ornamental design for a vacuum cleaner, as shown and described.

DESCRIPTION

FIG. 1 is a front, top and right side perspective view of a vacuum cleaner showing our new design; FIG. 2 is a bottom, front and right side perspective view thereof; FIG. 3 is a right side elevational view thereof; and FIG. 4 is a left side elevational view thereof; FIG. 5 is a rear elevational view thereof; FIG. 6 is a front elevational view thereof; FIG. 7 is a top, front and right side perspective view of the second embodiment thereof; and FIG. 8 is a rear, bottom and left side elevational view thereof.

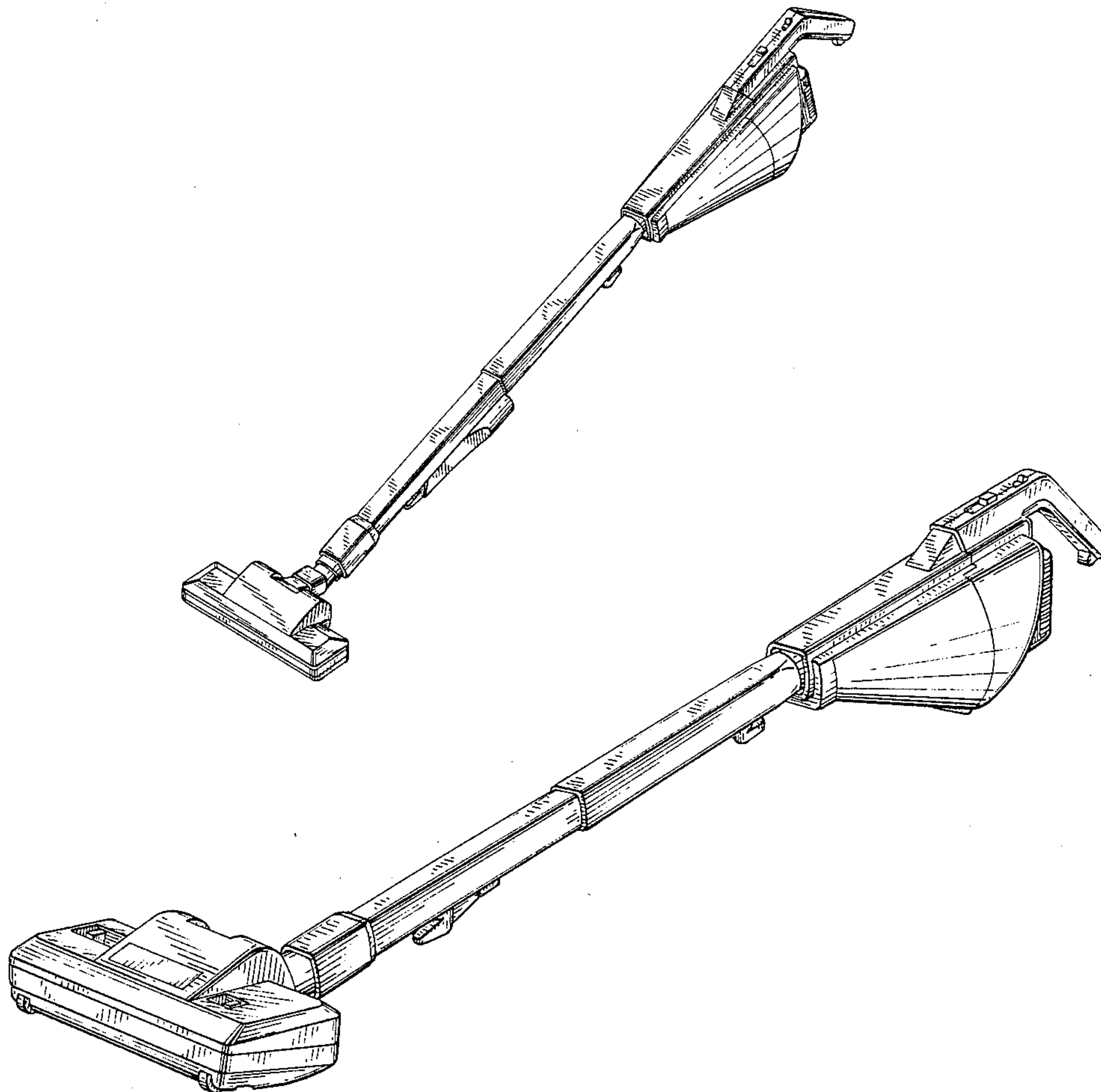


FIG. 1

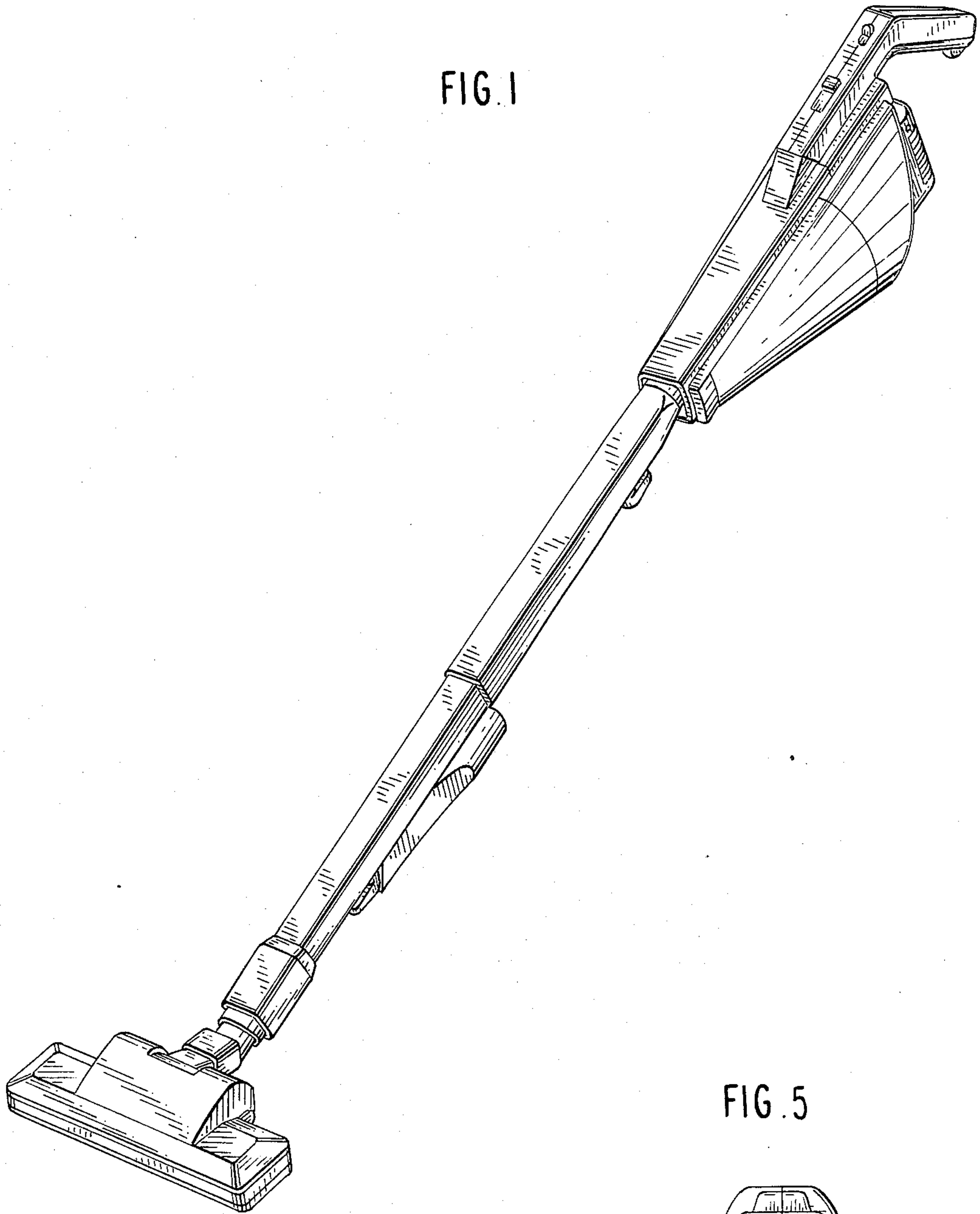


FIG. 5

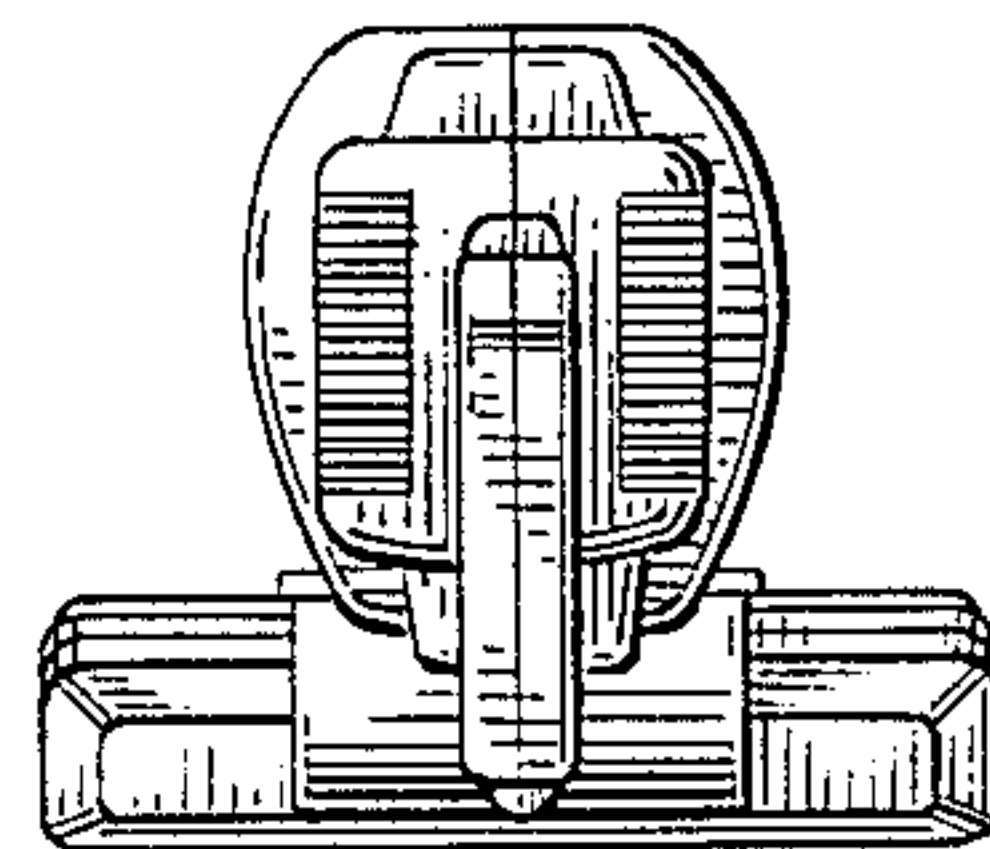


FIG. 2

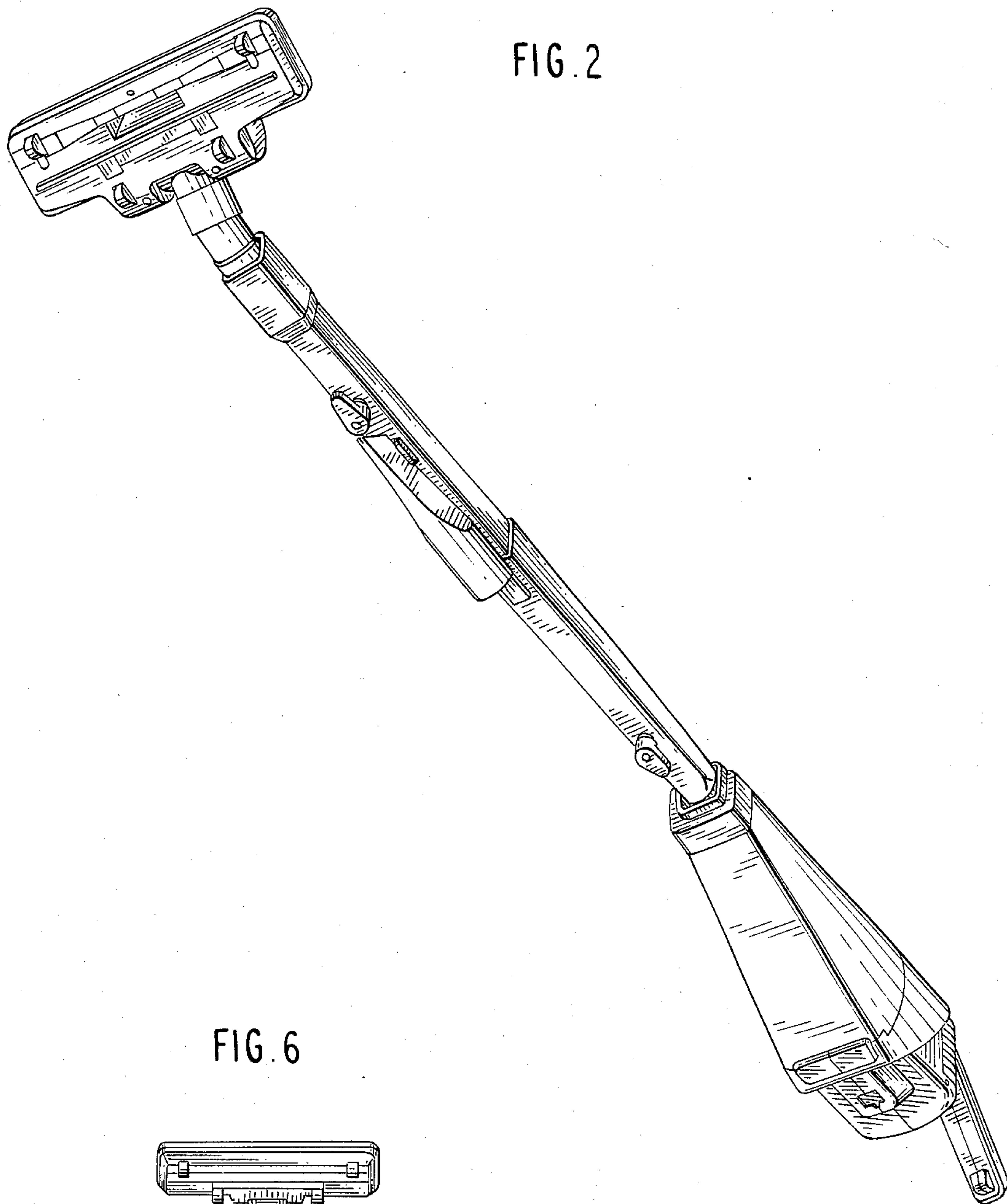


FIG. 6

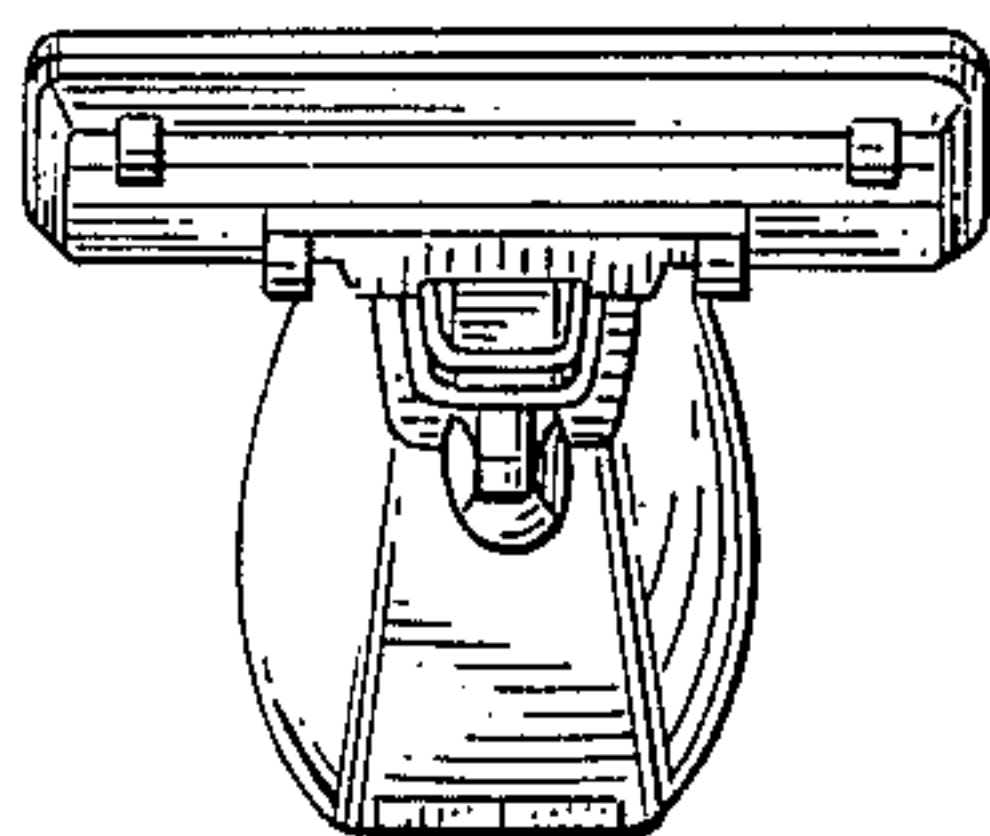
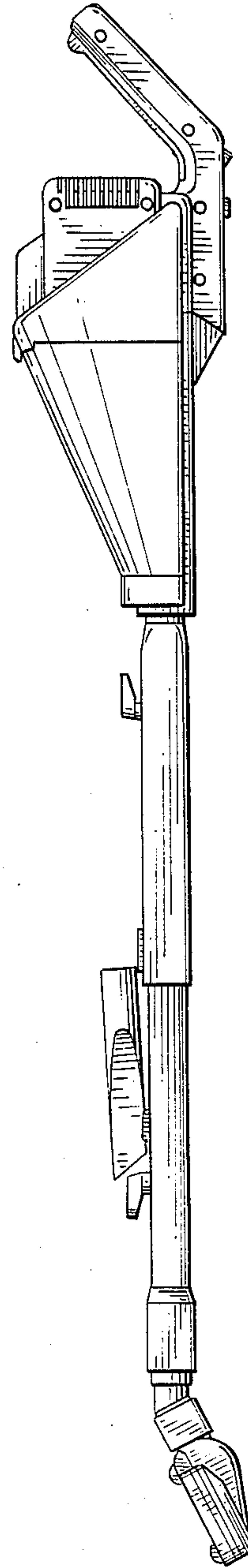
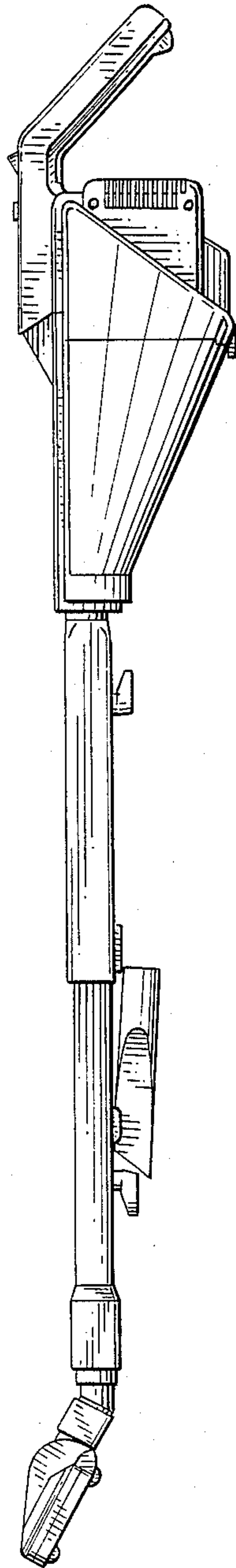


FIG. 3

FIG. 4





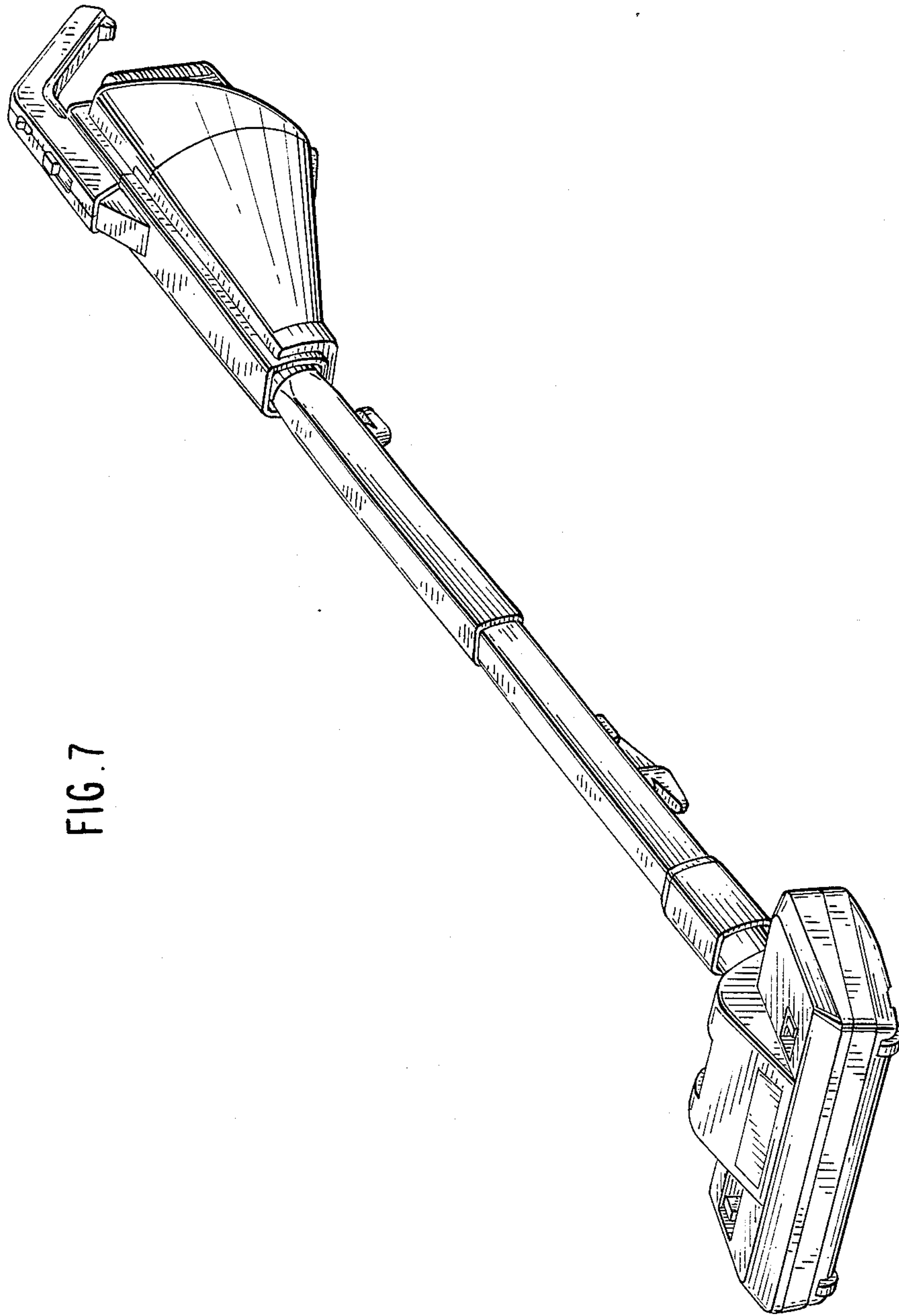


FIG. 7

FIG. 8

