

[54] CANISTER FOR LIQUID EXTRACTION SURFACE CLEANER

[75] Inventor: Gordon W. Goodrich, Grand Rapids, Mich.

[73] Assignee: Bissell, Inc., Grand Rapids, Mich.

[\*\*] Term: 14 Years

[21] Appl. No.: 28,298

[22] Filed: Mar. 20, 1987

[52] U.S. Cl. .... D32/21

[58] Field of Search ..... D32/21, 23-24; 15/320, 321, 323, 327 R, 327 F, 327 D, 327 E, 353, 412, 410

- D. 272,570 2/1984 Van Dyken .
- D. 276,662 12/1984 Zerrer et al. .
- D. 279,226 6/1985 Salmon .
- D. 279,615 7/1985 Essex .
- D. 281,919 12/1985 Bailey et al. .
- D. 284,319 6/1986 Yamamoto et al. .
- D. 285,734 9/1986 Haruguchi et al. .
- D. 286,695 11/1986 Nupp .
- 4,068,340 1/1978 Forward .

Primary Examiner—Bruce W. Dunkins  
Assistant Examiner—Ruth Takemoto  
Attorney, Agent, or Firm—Price, Heneveld, Cooper, DeWitt & Litton

[57] CLAIM

The ornamental design for a canister for liquid extraction surface cleaner, as shown.

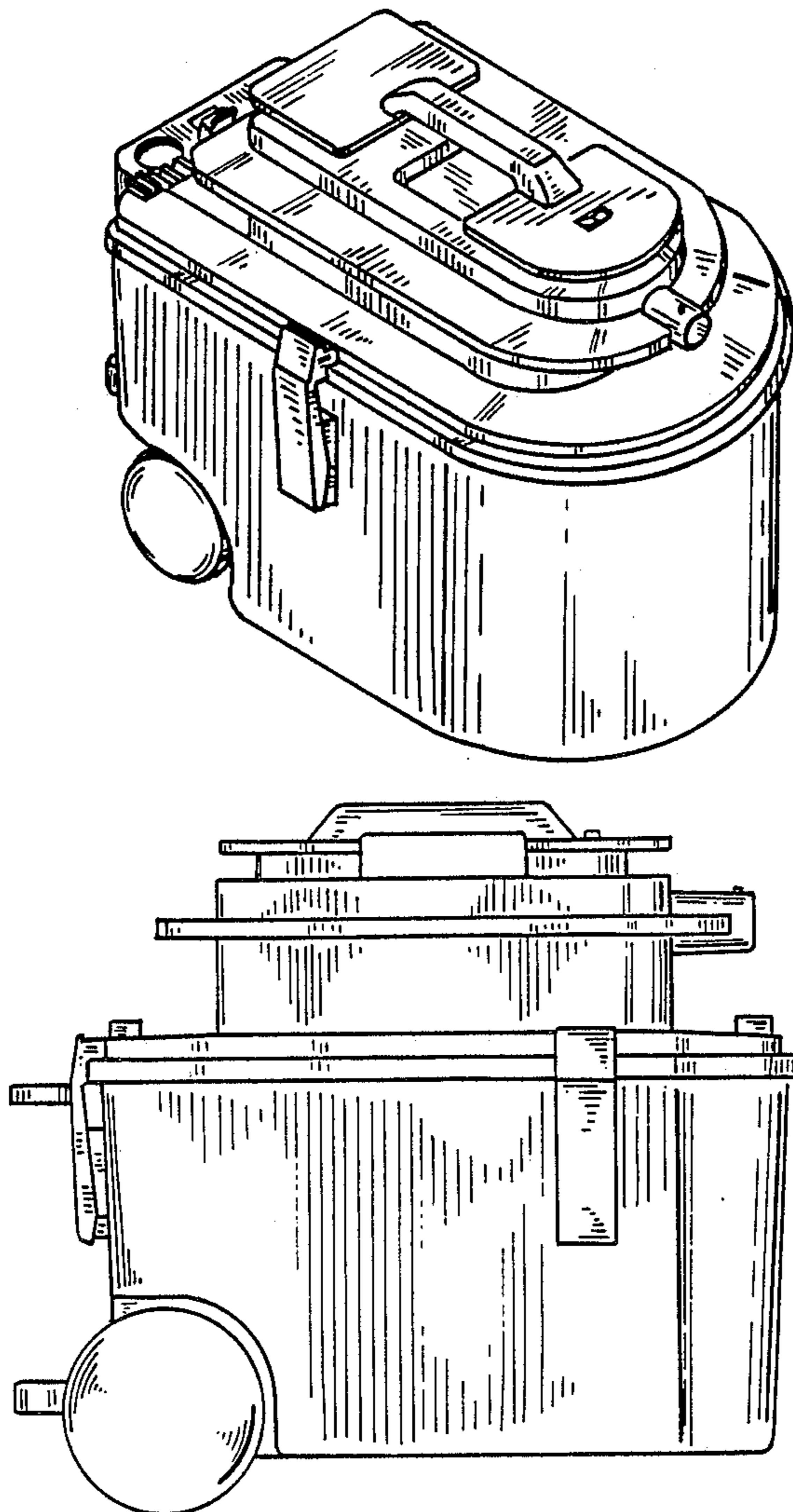
DESCRIPTION

FIG. 1 is a perspective view taken from the top, front and left side of a canister for liquid extraction surface cleaner showing my new design; FIG. 2 is a front elevational view thereof; FIG. 3 is a right side elevational view thereof; FIG. 4 is a left side elevational view thereof; FIG. 5 is a top plan view thereof; FIG. 6 is a rear elevational view thereof; and FIG. 7 is a bottom plan view thereof.

[56] References Cited

U.S. PATENT DOCUMENTS

- D. 129,993 10/1941 Forsberg ..... D32/24
- D. 183,192 7/1958 Anderson-Sason et al. .... D32/24
- D. 196,633 10/1963 Owenmark ..... D32/24
- D. 261,267 10/1981 Hug ..... D32/21
- D. 263,959 4/1982 Ernest et al. .
- D. 264,591 5/1982 Jacobs .
- D. 270,298 8/1983 Ayukawa et al. .
- D. 270,390 8/1983 Ayukawa et al. .
- D. 270,960 10/1983 Parise et al. .



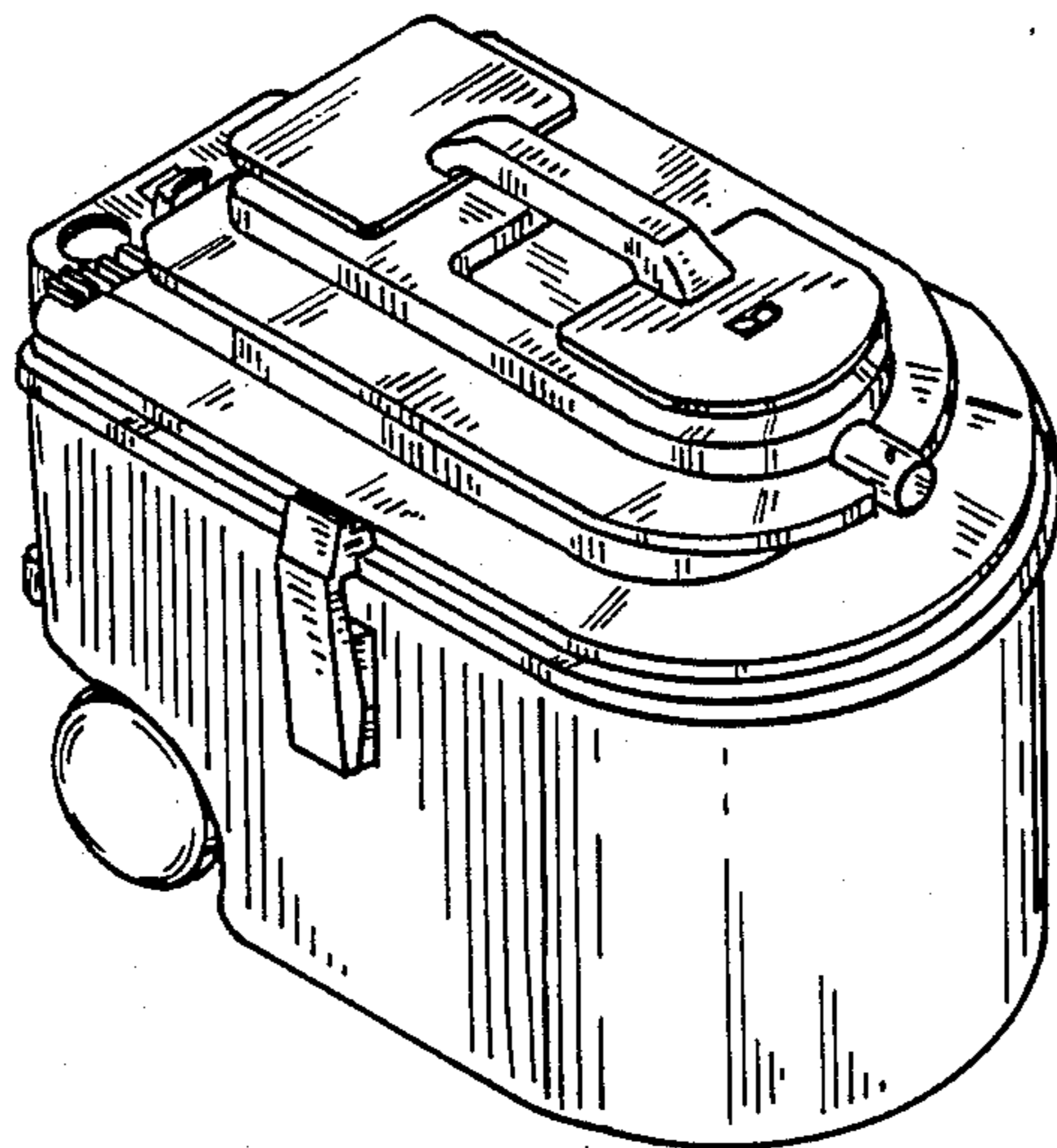


FIG. 1

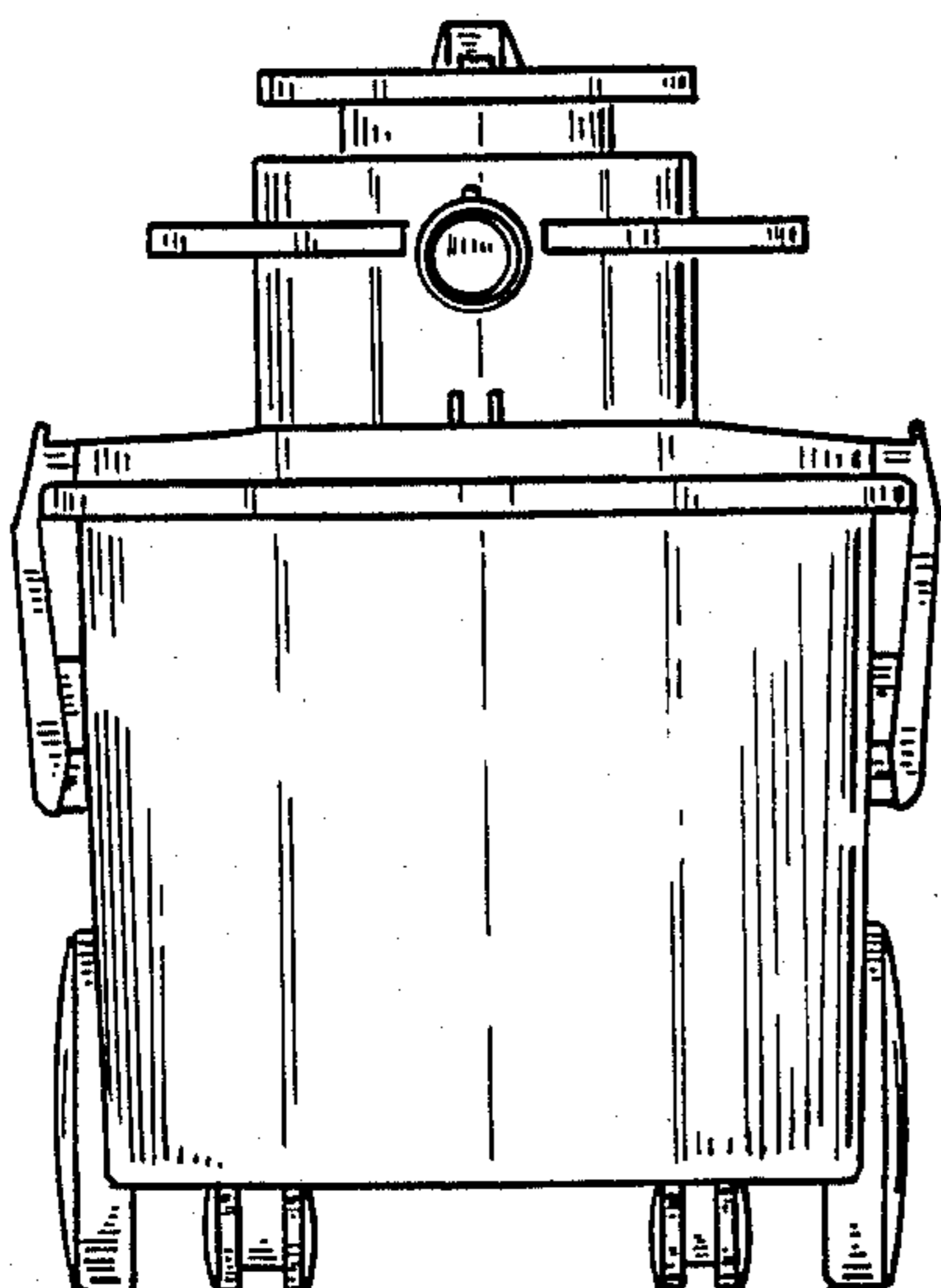


FIG. 2

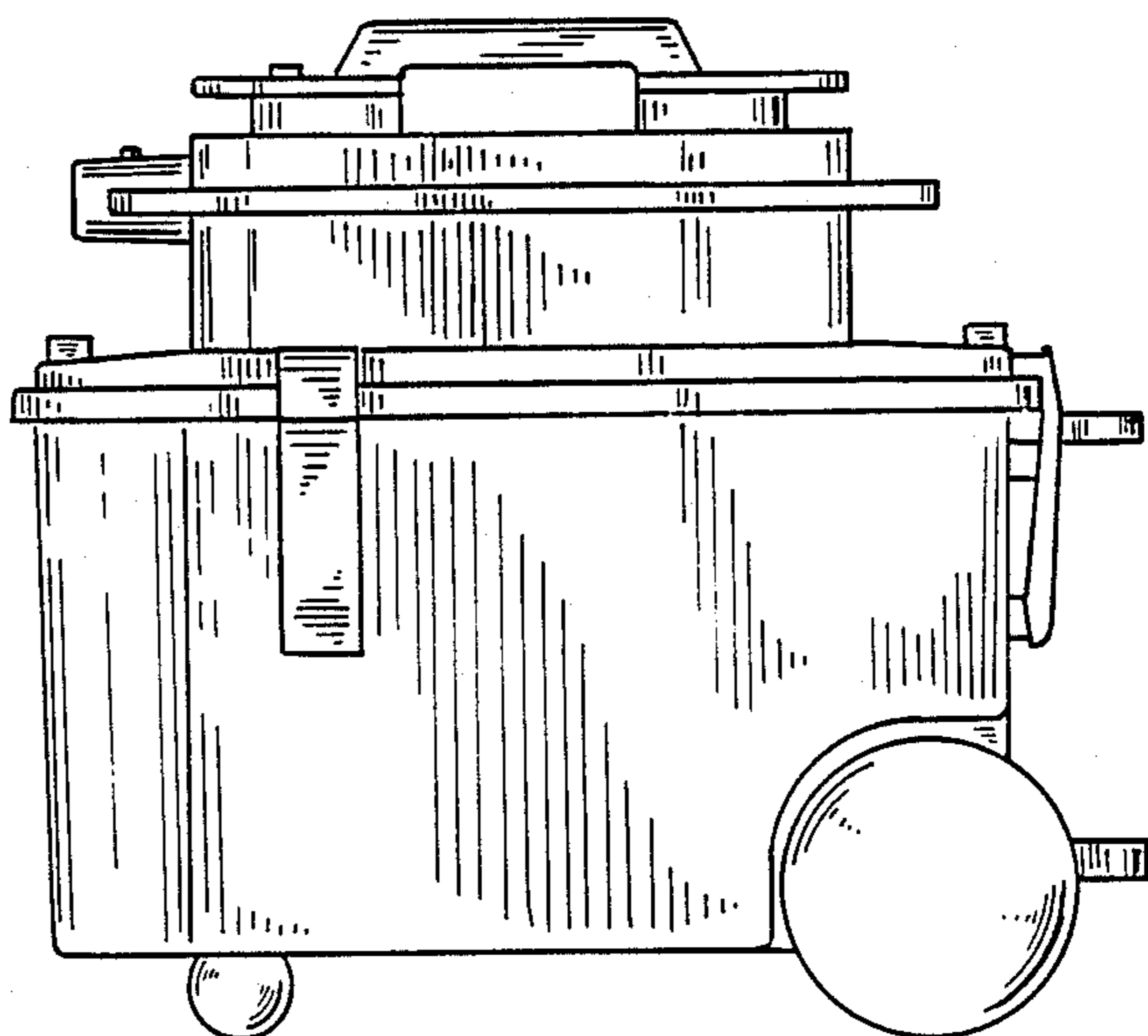


FIG. 3

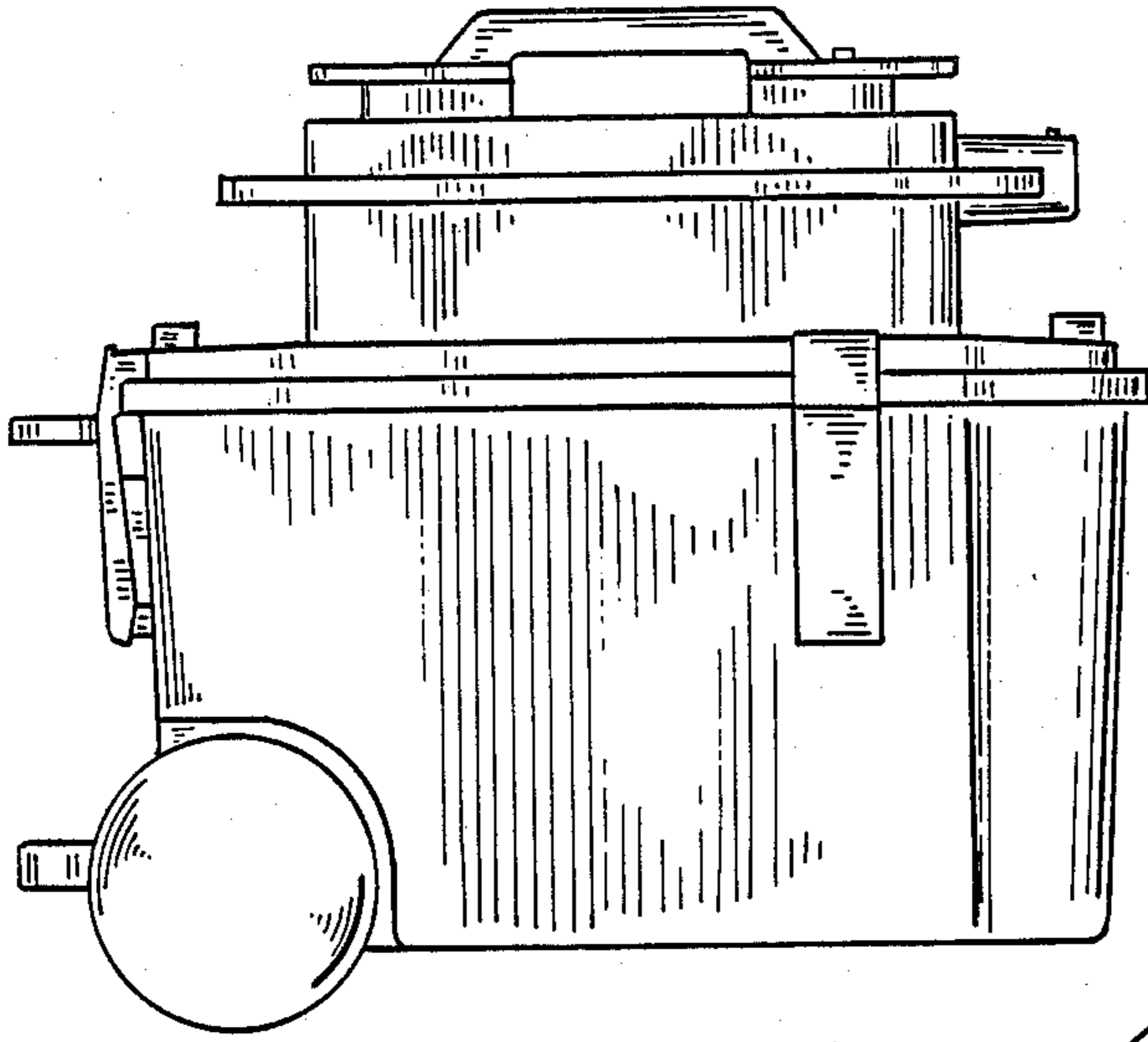


FIG. 4

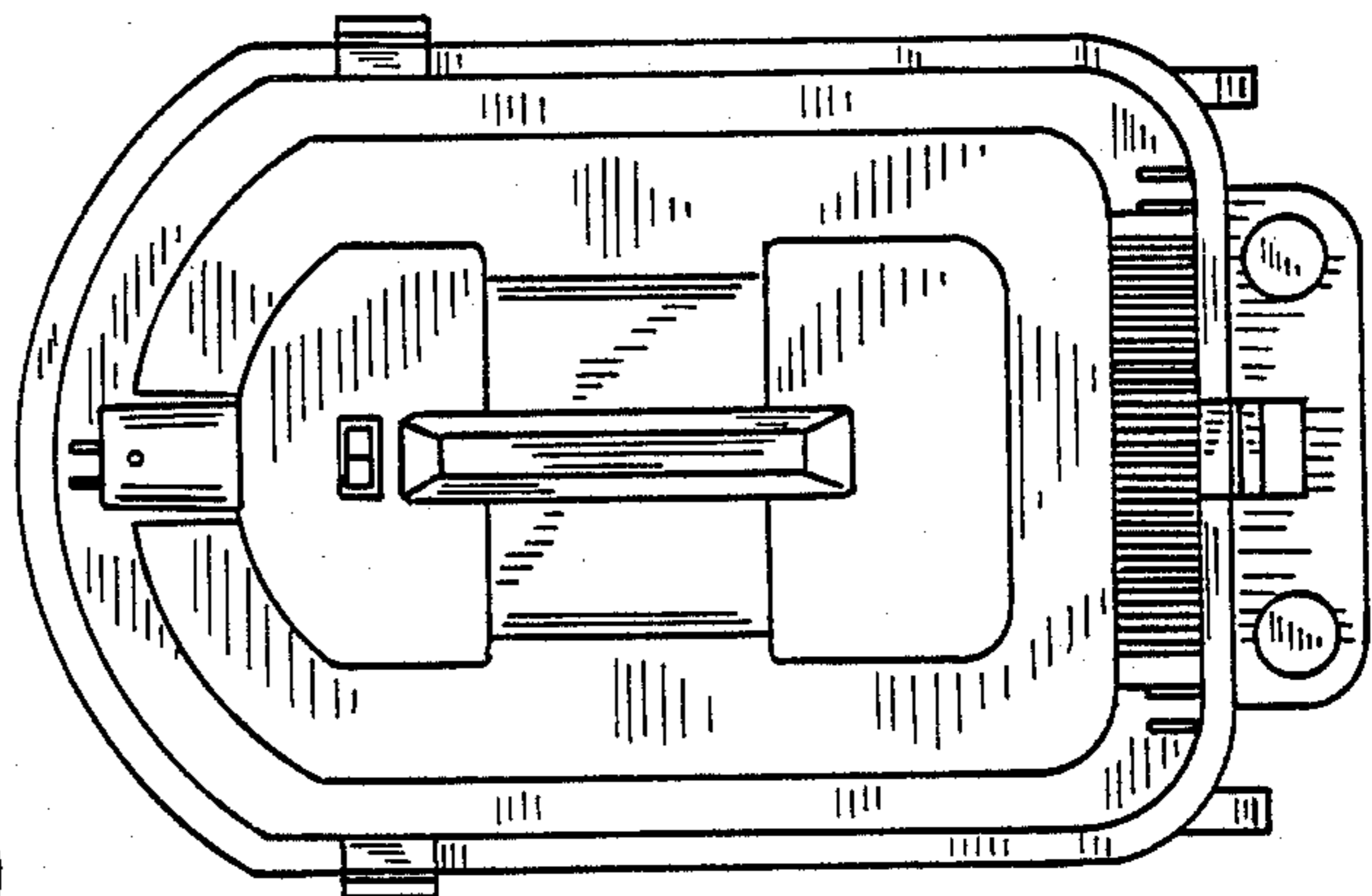


FIG. 5

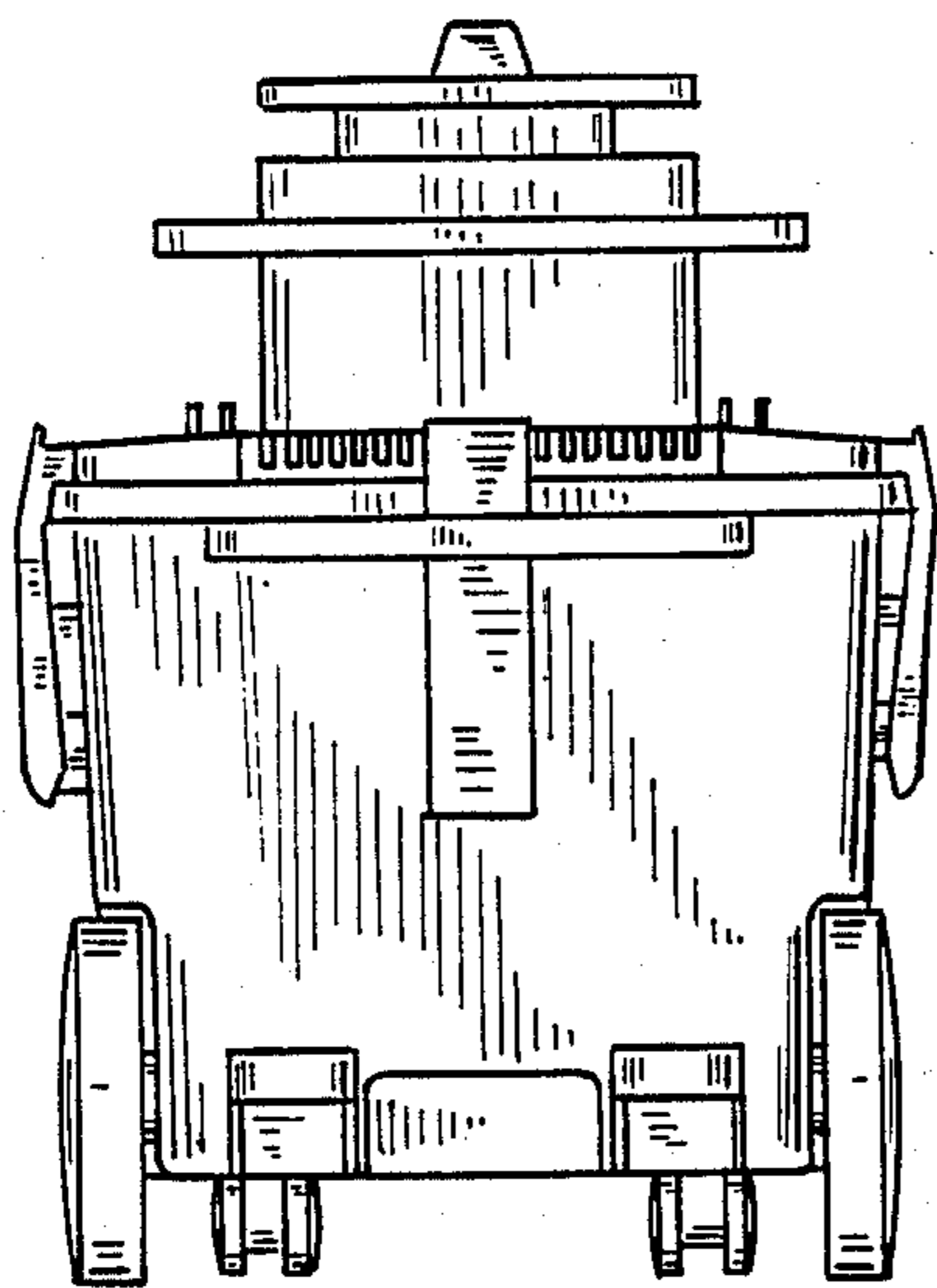


FIG. 6

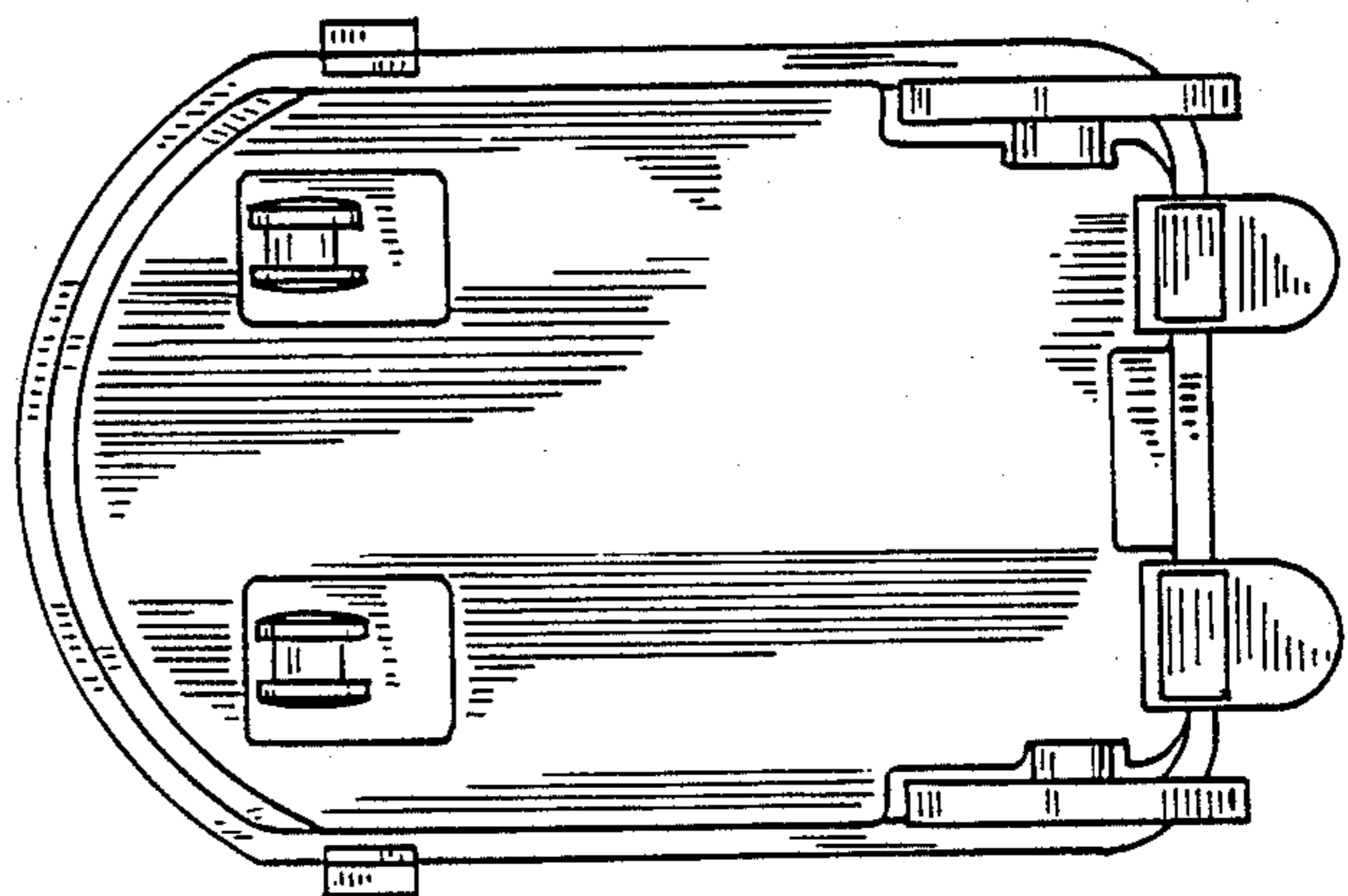


FIG. 7