

[54] ELECTRIC VACUUM CLEANER

D. 280,246 8/1985 Smith D32/18
D. 287,892 1/1987 Rosa et al. D32/17
D. 290,893 7/1987 Essex D32/18

[75] Inventor: Yukio Hirano, Osaka, Japan

[73] Assignee: Matsushita Electric Industrial Co., Ltd., Osaka, Japan

Primary Examiner—Bruce W. Dunkins
Assistant Examiner—Ruth Takemoto
Attorney, Agent, or Firm—Sughrue, Mion, Zinn, Macpeak & Seas

[**] Term: 14 Years

[21] Appl. No.: 53,437

[57] CLAIM

[22] Filed: May 22, 1987

The ornamental design for an electric vacuum cleaner, as shown and described.

[30] Foreign Application Priority Data

Feb. 24, 1987 [JP] Japan 62-6794

[52] U.S. Cl. D32/18

[58] Field of Search D32/17, 18, 21, 22;
15/329, 344, 350, 351

DESCRIPTION

[56] References Cited

U.S. PATENT DOCUMENTS

D. 261,473 10/1981 Hug D32/18
D. 268,057 2/1983 Harmon D32/18

FIG. 1 is a front, top, and right side perspective view of an electric vacuum cleaner showing our new design; FIG. 2 is a front elevational view thereof; FIG. 3 is a rear elevational view thereof; FIG. 4 is a right side elevational view, the opposite side being a mirror image thereof; FIG. 5 is a top plan view thereof; and FIG. 6 is a bottom plan view thereof.

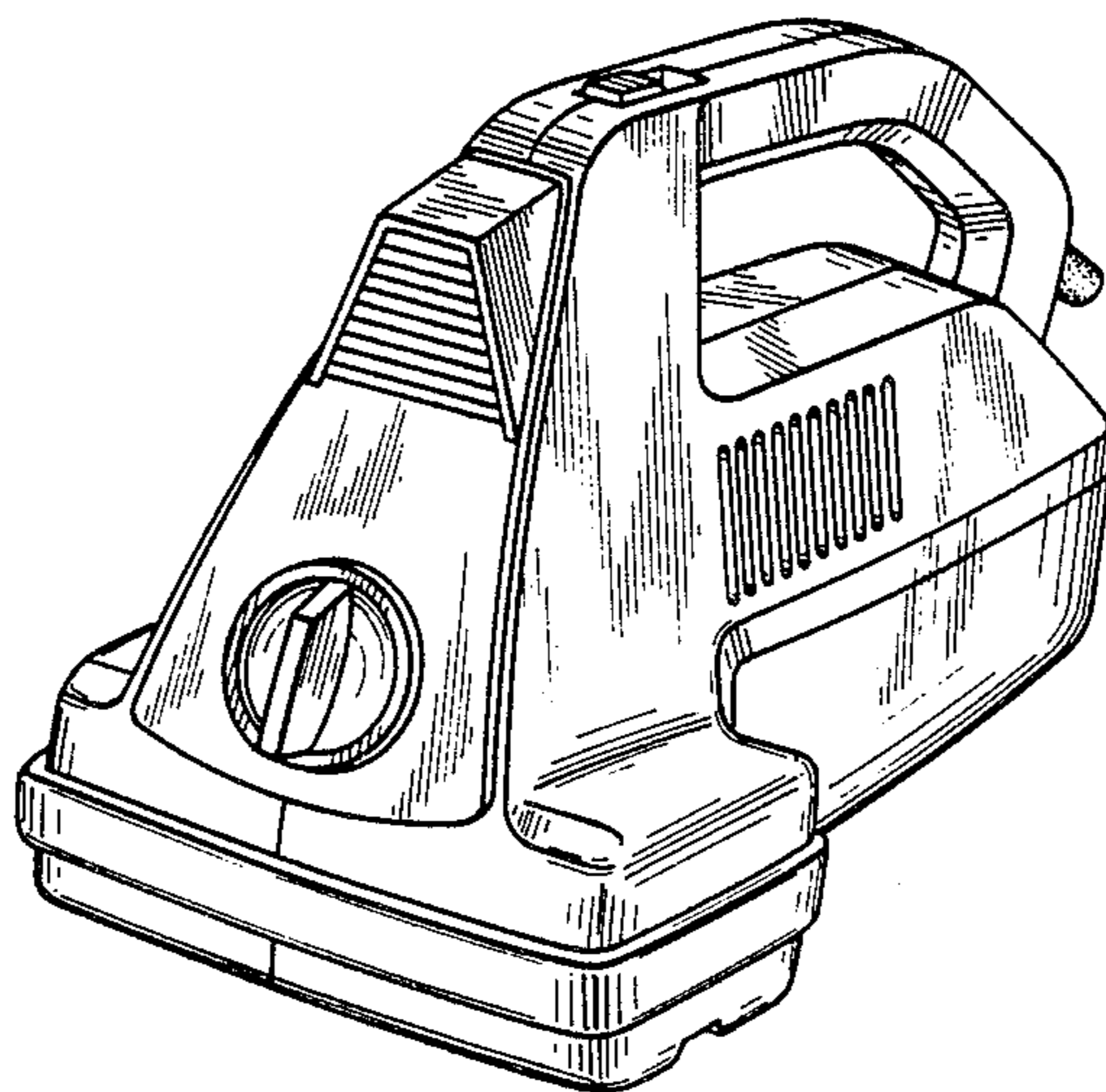


FIG. 1

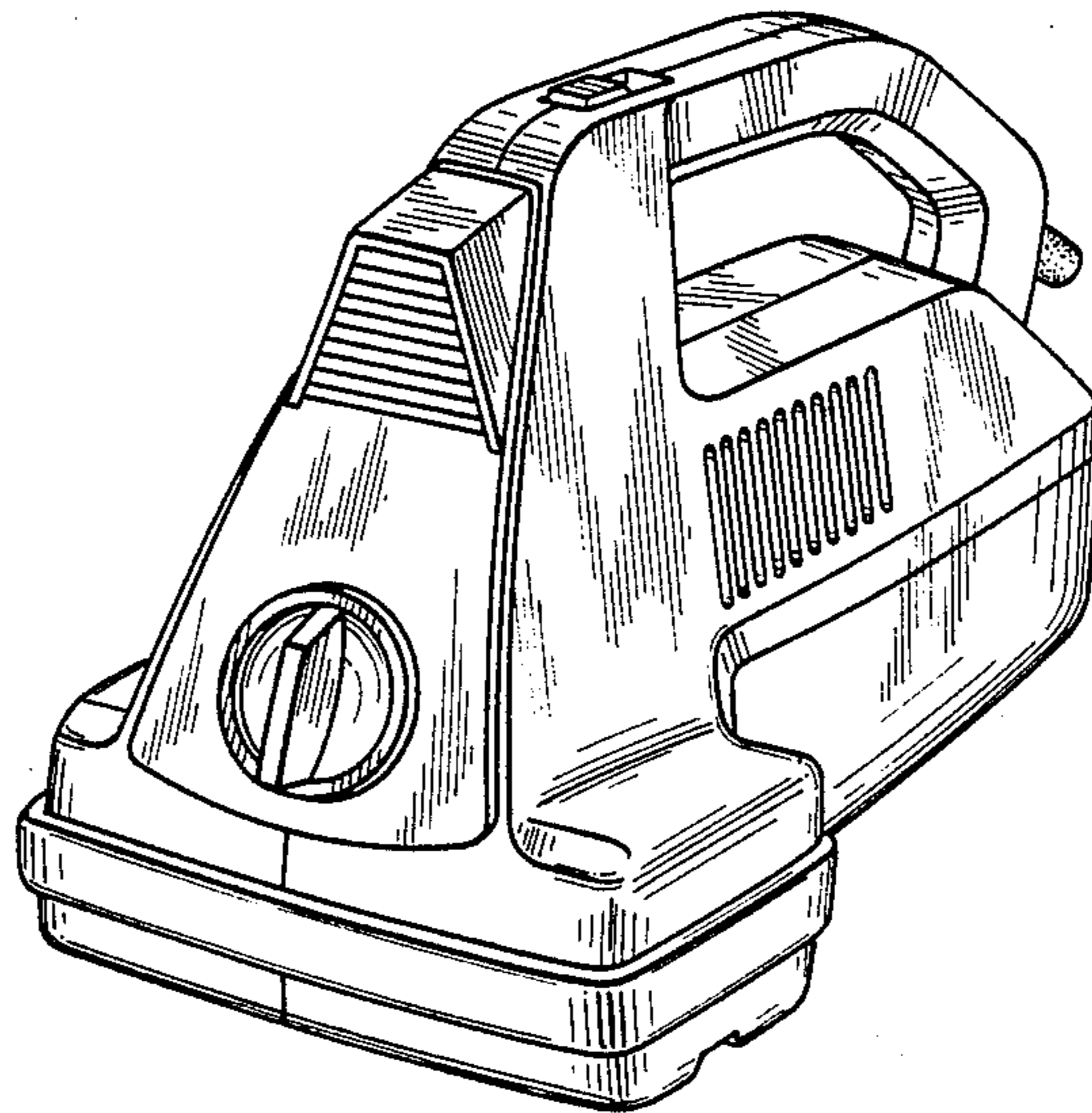


FIG. 2

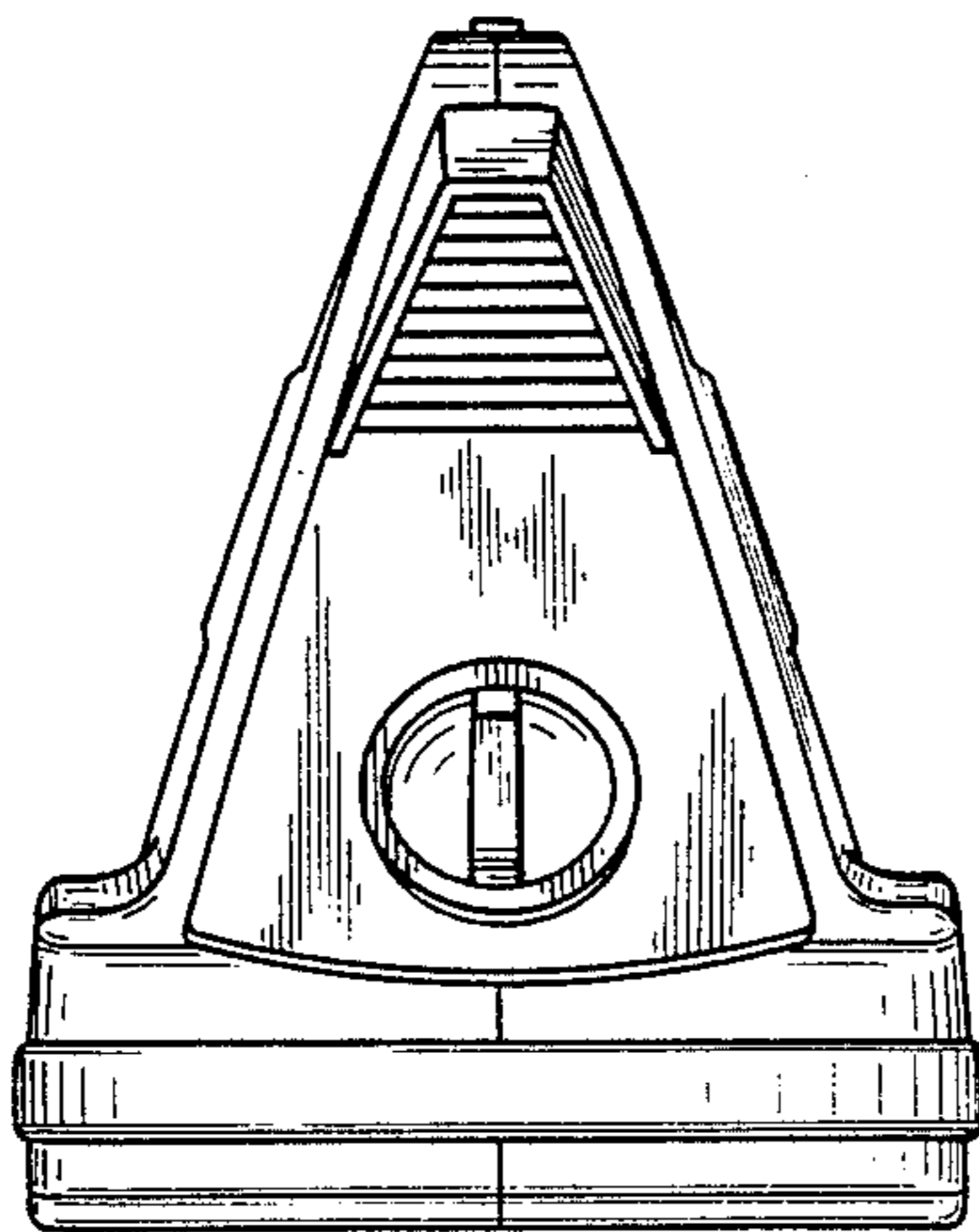


FIG. 3

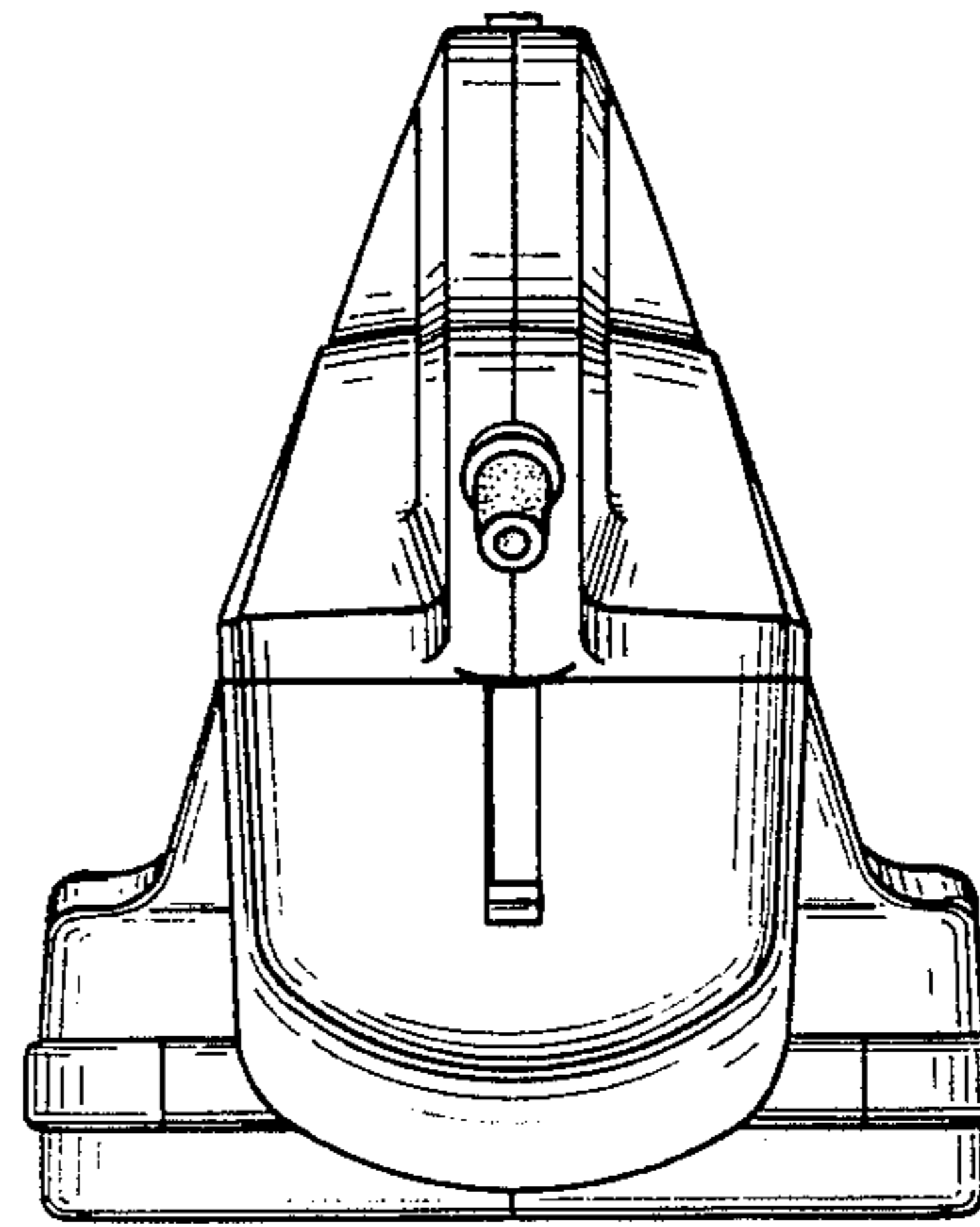


FIG. 4

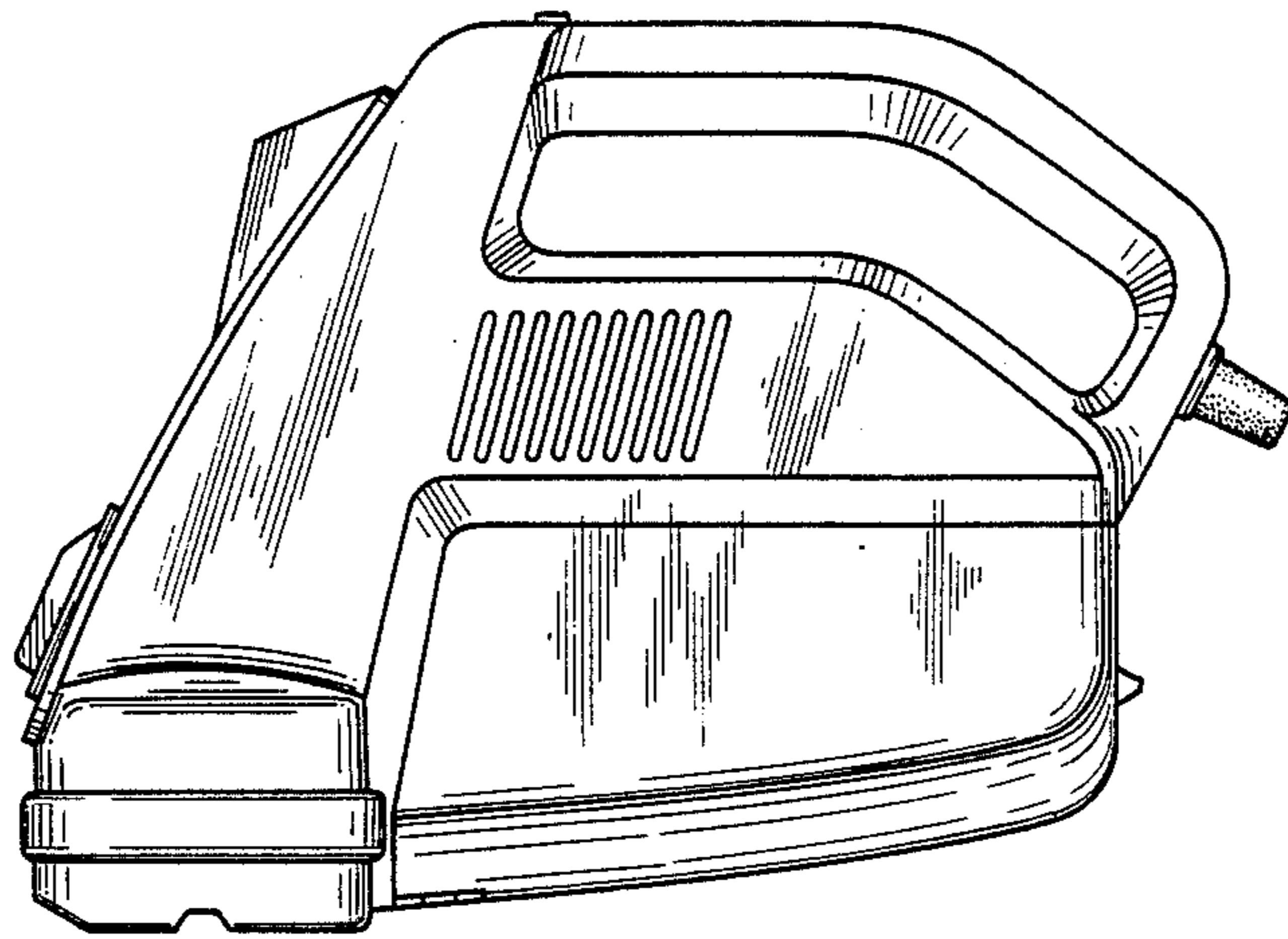


FIG. 5

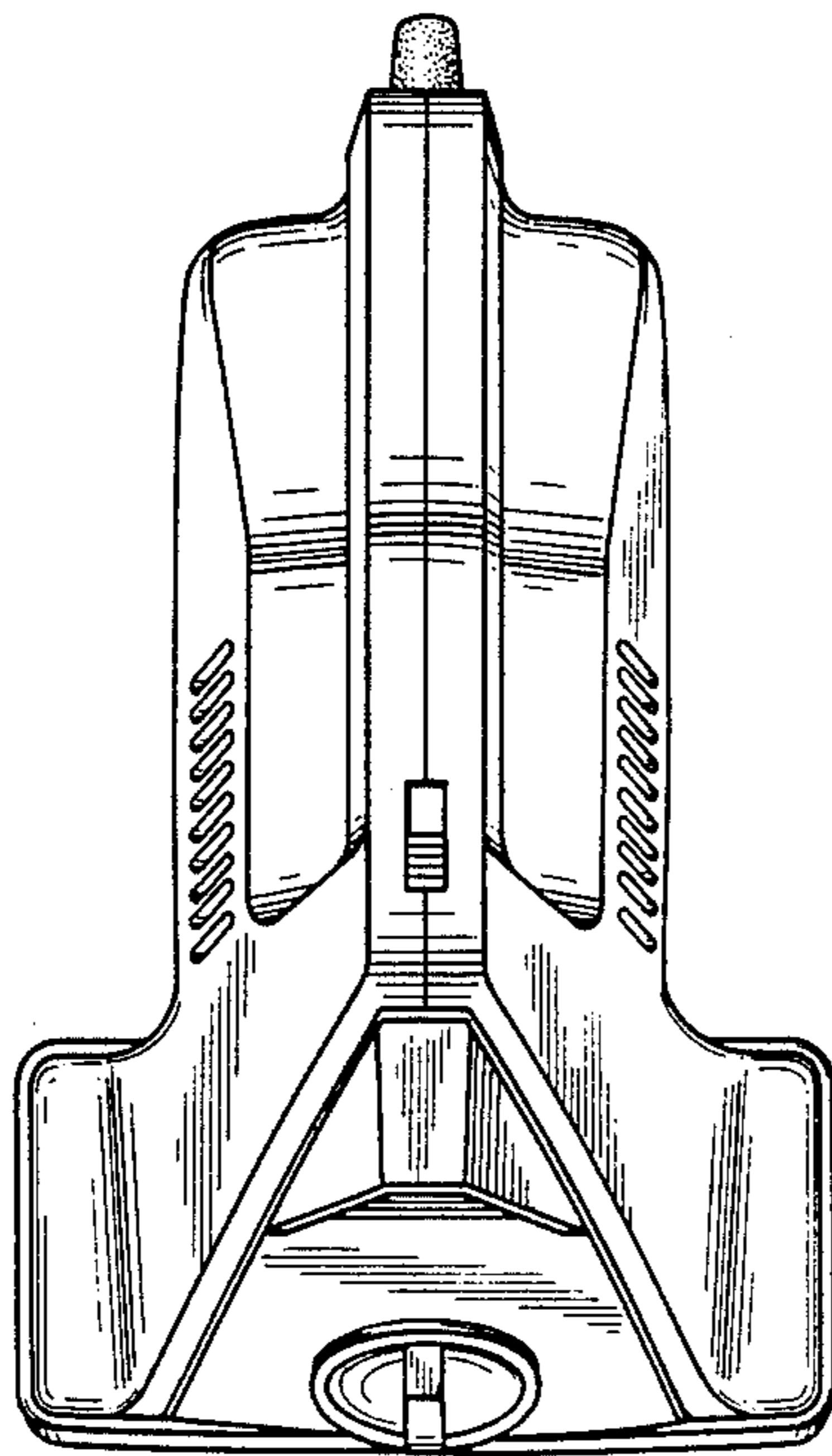


FIG. 6

