

United States Patent [19]
Hovey

[11] **Patent Number: Des. 303,169**

[45] **Date of Patent: ** Aug. 29, 1989**

[54] **MOATED PET FEEDER**

[76] **Inventor: Leigh K. Hovey, 731 Ashland Ave.,
Santa Monica, Calif. 90405**

[**] **Term: 14 Years**

[21] **Appl. No.: 130,663**

[22] **Filed: Dec. 9, 1987**

[52] **U.S. Cl. D30/130**

[58] **Field of Search D30/121-133;
119/51.5, 61, 63**

[56] **References Cited**

U.S. PATENT DOCUMENTS

D. 105,812 8/1937 Seikert D30/130

576,196 2/1897 Johnson 119/61 X
3,491,724 1/1970 Sunner 119/61
4,357,905 11/1982 Carpenter 119/61

Primary Examiner—James R. Largen

[57] **CLAIM**

The ornamental design for a moated pet feeder, as shown and described.

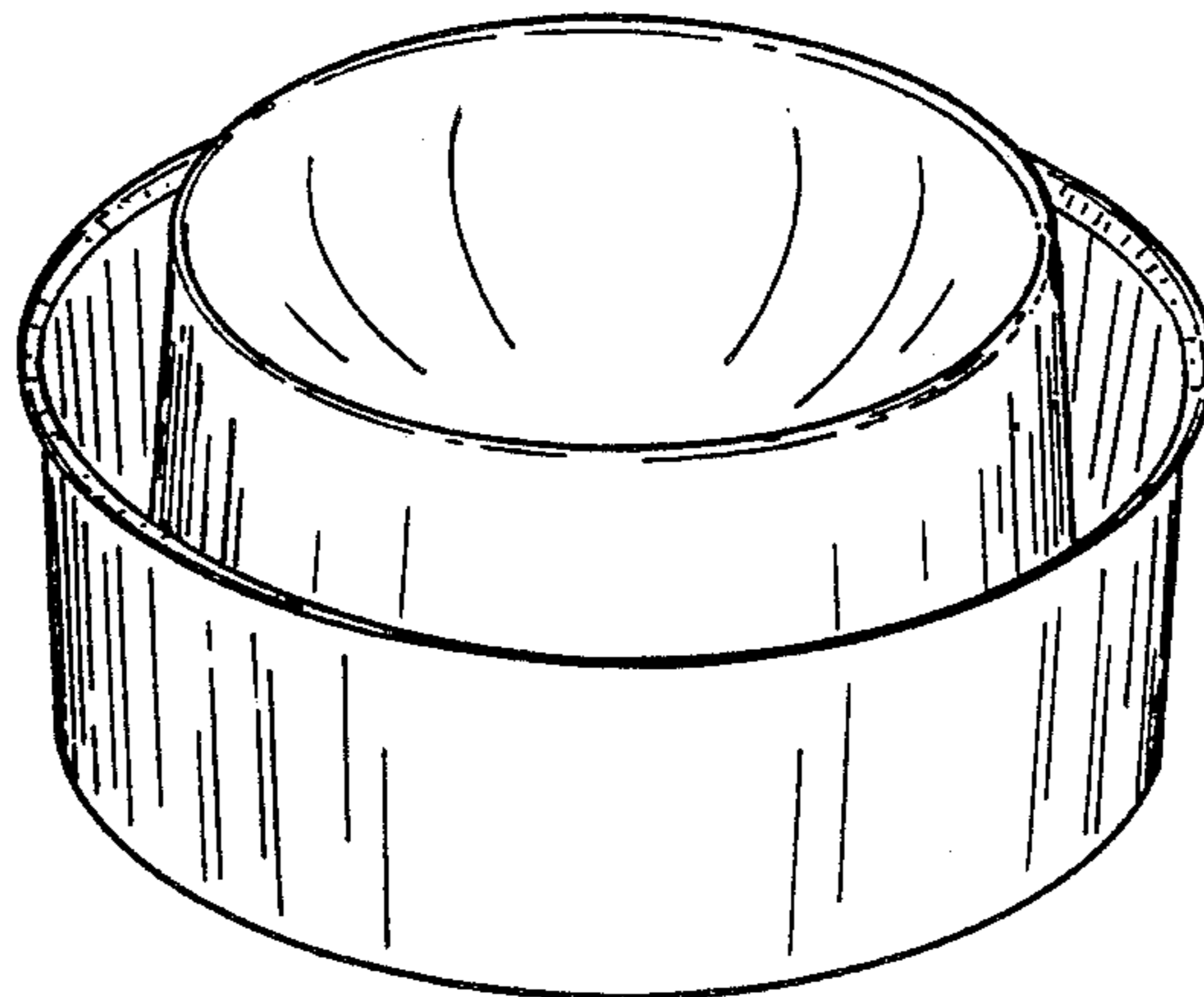
DESCRIPTION

FIG. 1 is a top perspective view of a moated pet feeder showing my new design;

FIG. 2 is a side elevational view thereof, the other sides being the same as the sides shown;

FIG. 3 is a top plan view thereof; and

FIG. 4 is a bottom plan view thereof.



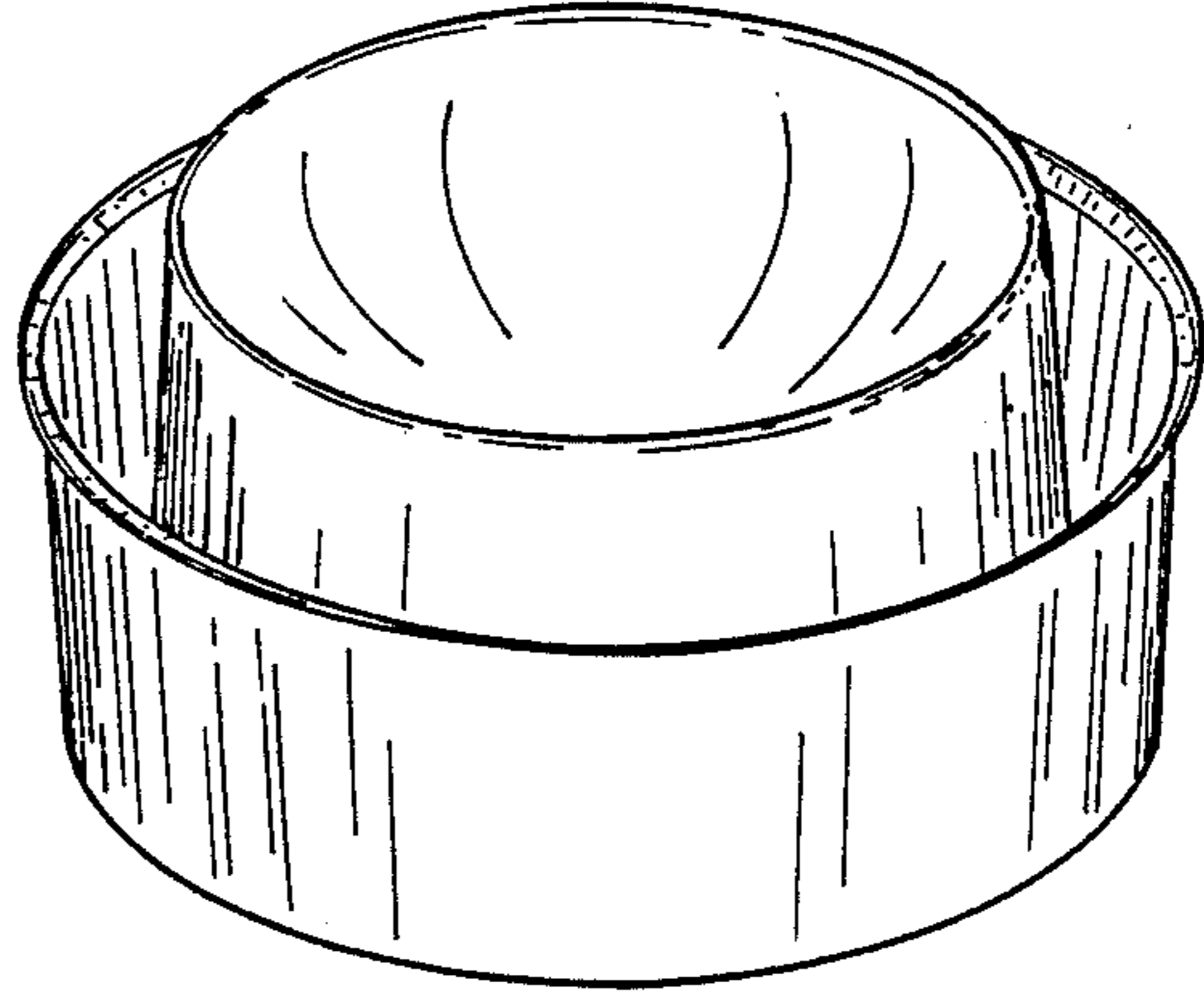


FIG. 1

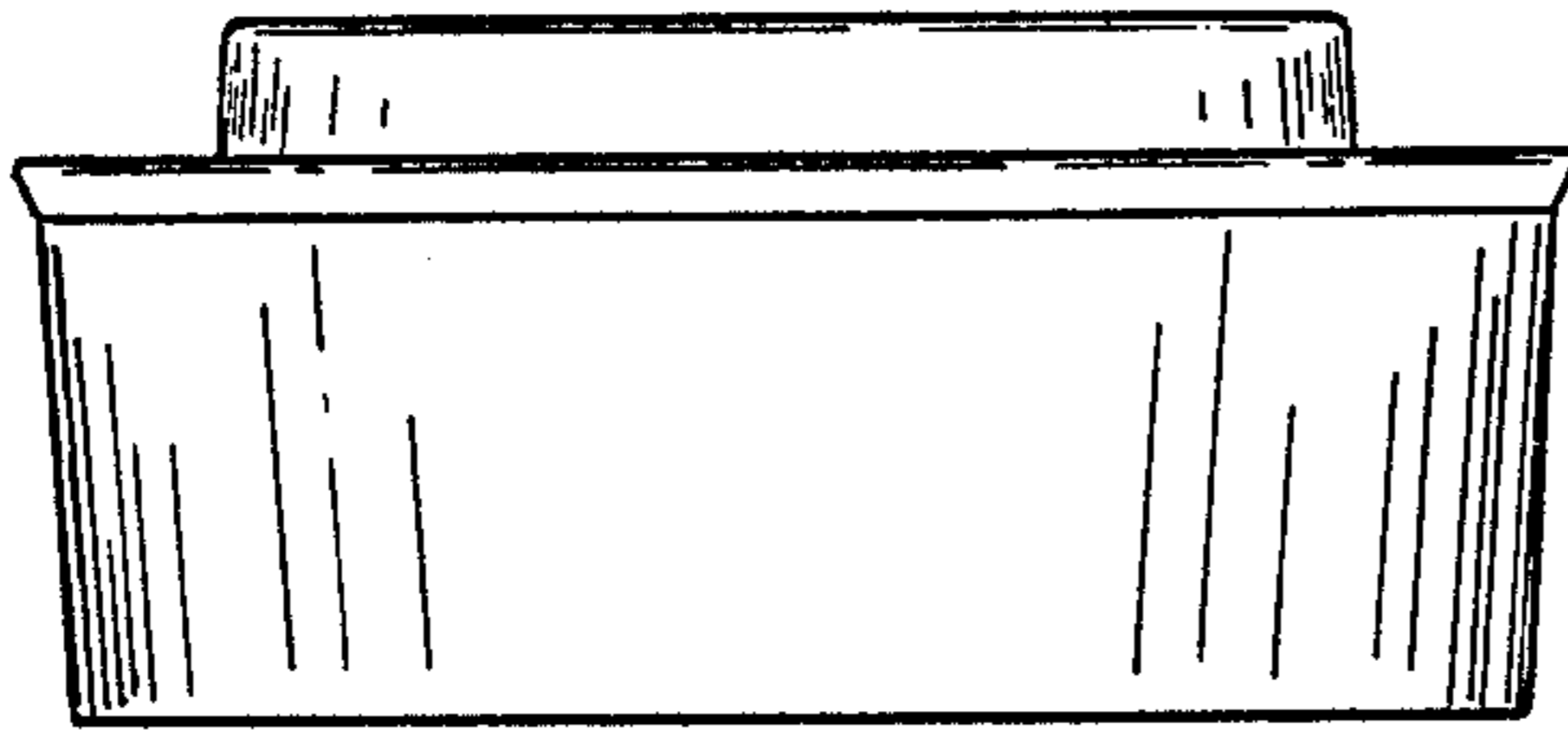


FIG. 2

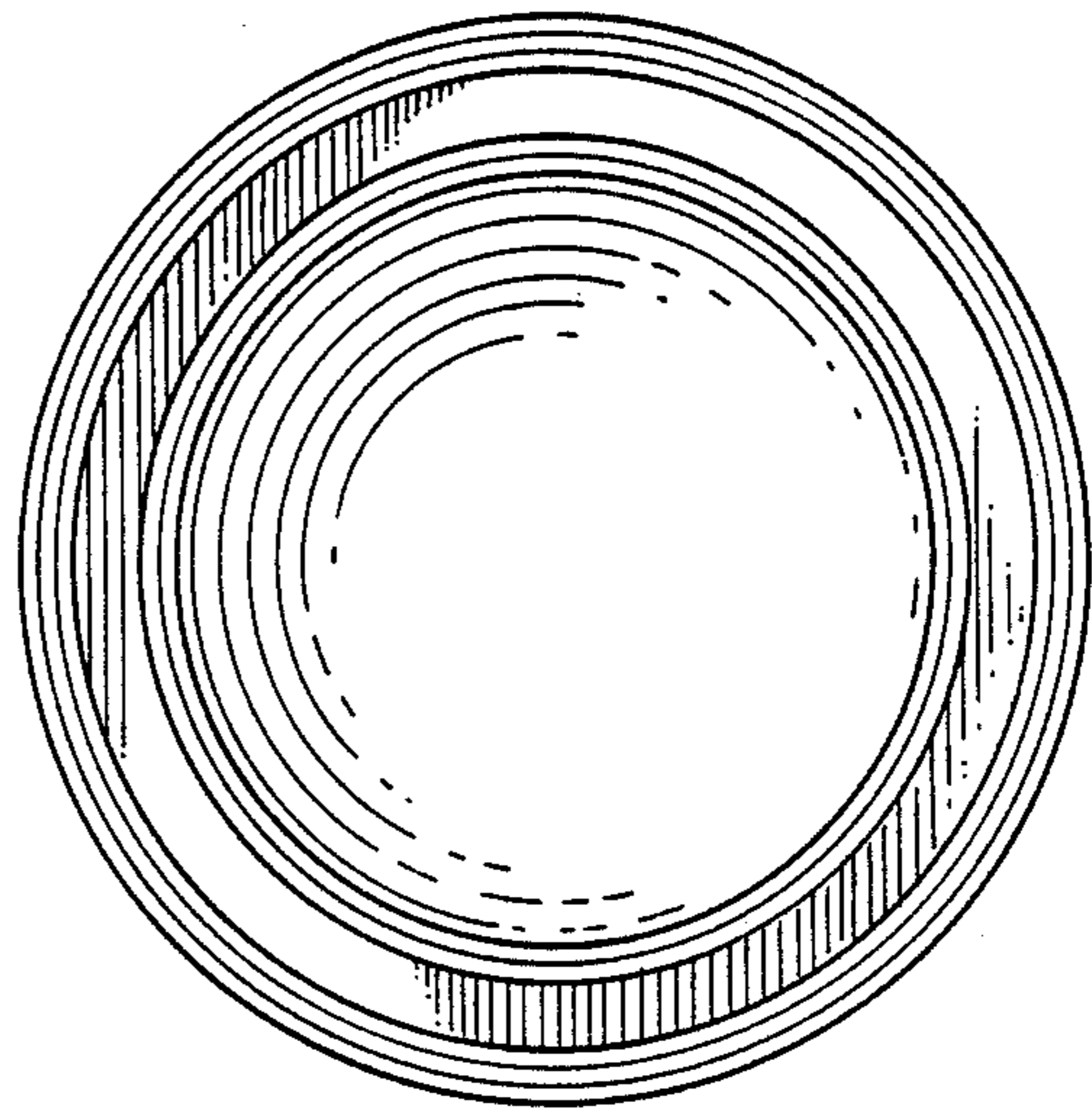


FIG. 3

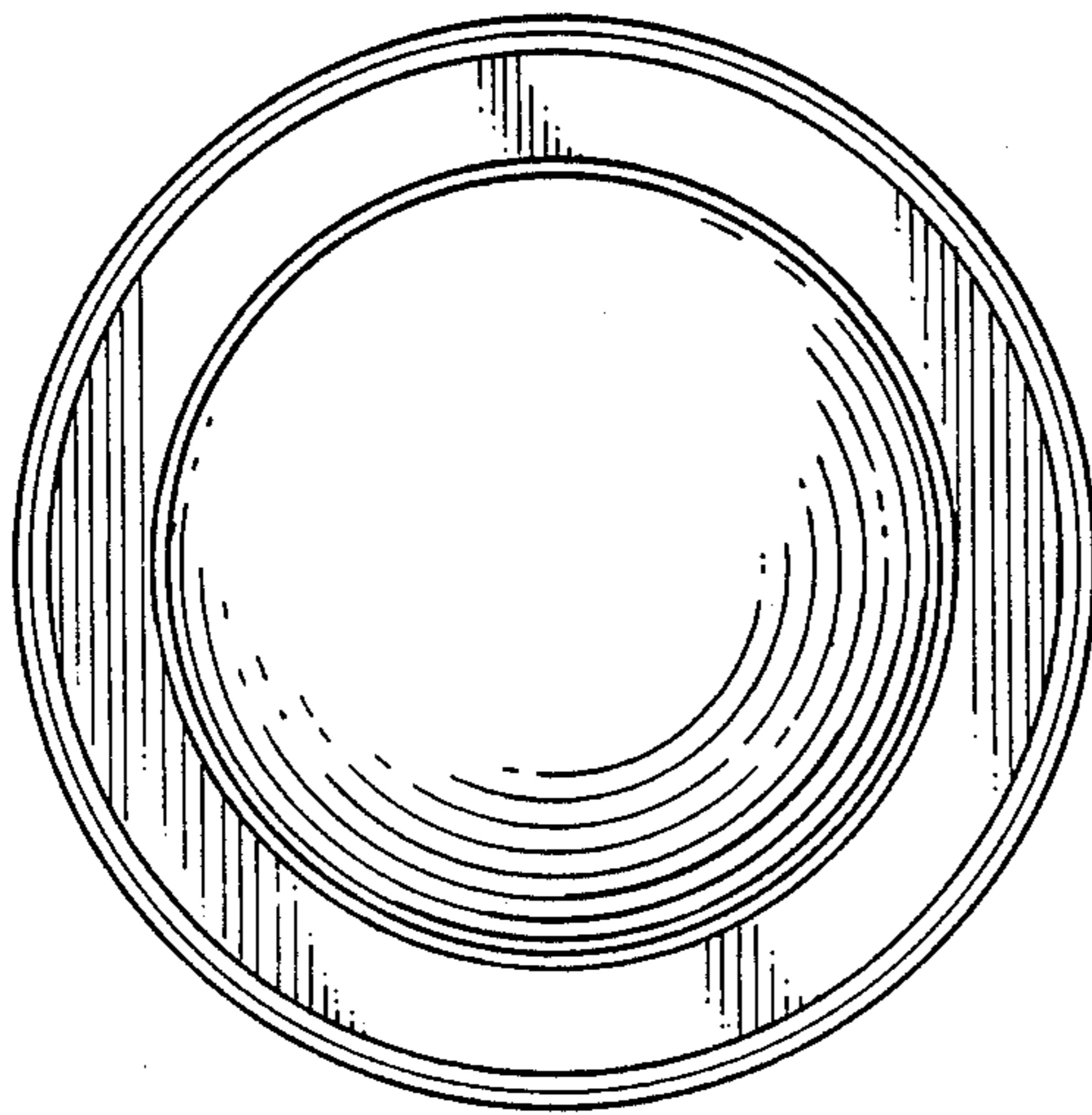


FIG. 4