

[54] WATERFALL PEDICURE STATION

[56] References Cited

[76] Inventors: John Meyerovich, 4852 N. 105th St., Milwaukee, Wis. 53225; Lev Yakubovich, 4121 W. Martin Dr., Apt. 102, Milwaukee, Wis. 53208; Gerald Tearney, 4515 Delphine Dr., New Berlin, Wis. 53151; Joseph Galati, 16820 Burnet Ct., Brookfield, Wis. 53005

U.S. PATENT DOCUMENTS

D. 187,122	1/1960	Johnson	D28/61
D. 288,729	3/1987	Meyerovich et al.	D28/61
4,610,040	9/1986	Concato	4/622

Primary Examiner—Wallace R. Burke
Assistant Examiner—Stella M. Reid
Attorney, Agent, or Firm—Foley & Lardner

[**] Term: 14 Years

[57] CLAIM

The ornamental design for a waterfall pedicure station, as shown and described.

[21] Appl. No.: 6,616

DESCRIPTION

FIG. 1 is a perspective view taken from the top, front and right of a waterfall pedicure station showing our new design;

[22] Filed: Jan. 23, 1987

FIG. 2 is a front elevational view thereof;

[52] U.S. Cl. D28/61; D23/281; D24/38

FIG. 3 is a top plan view thereof;

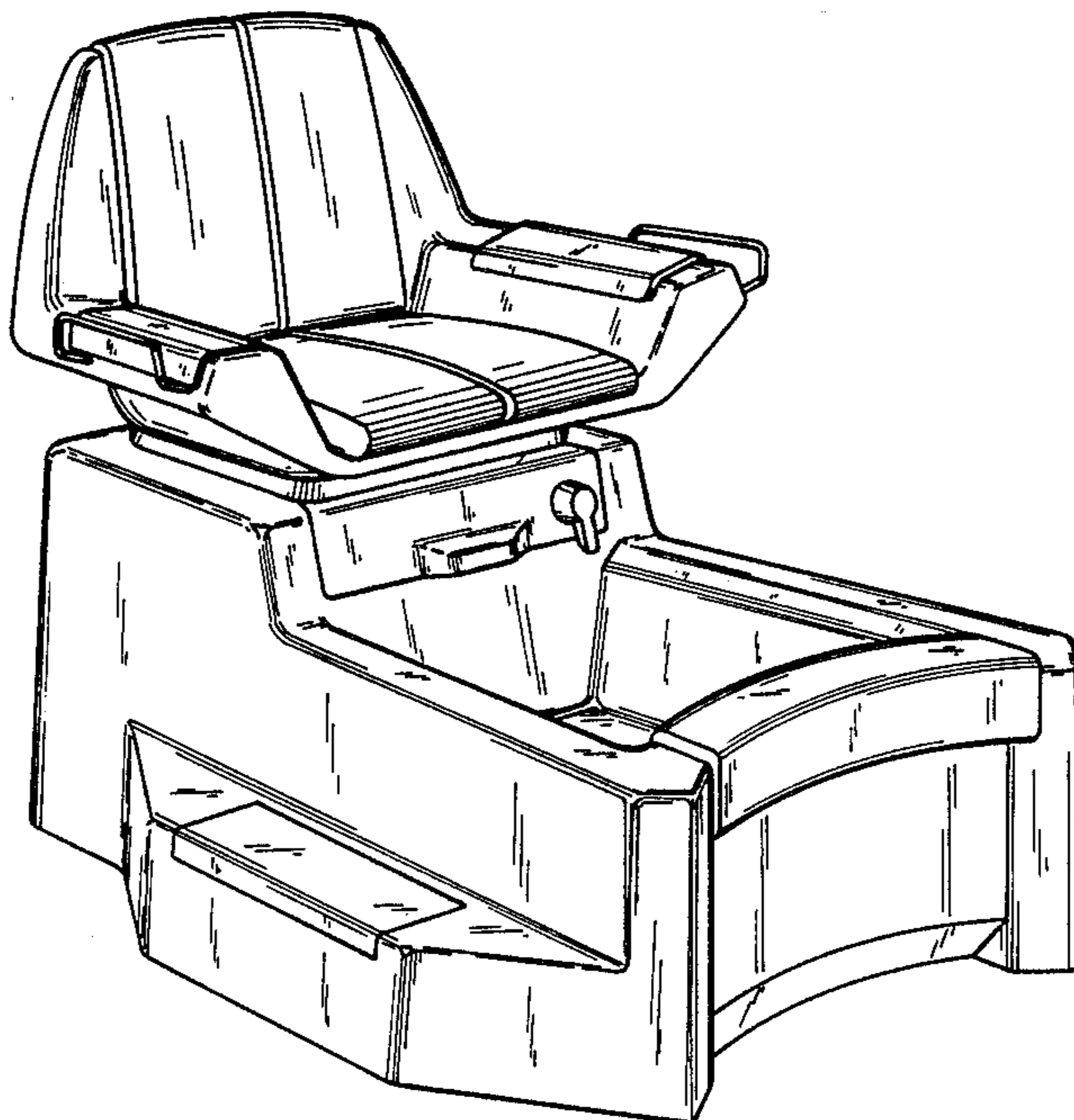
FIG. 4 is a left side elevational view thereof;

[58] Field of Search D28/61; D23/48, 49; D24/38; 4/574, 622; 312/228, 235 R, 235 H

FIG. 5 is a right side elevational view thereof;

FIG. 6 is a rear elevational view thereof; and

FIG. 7 is a bottom plan view thereof.



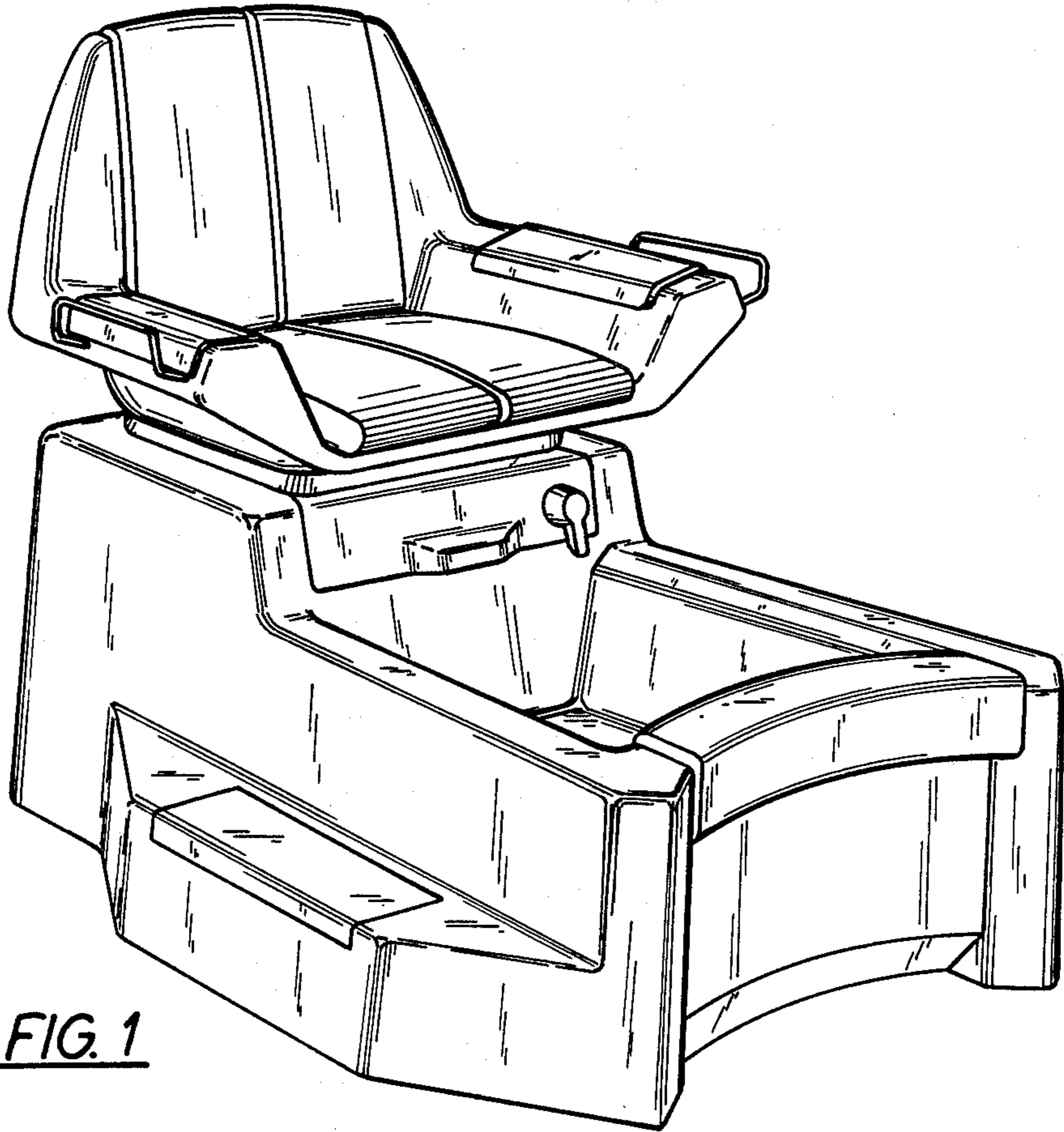


FIG. 1

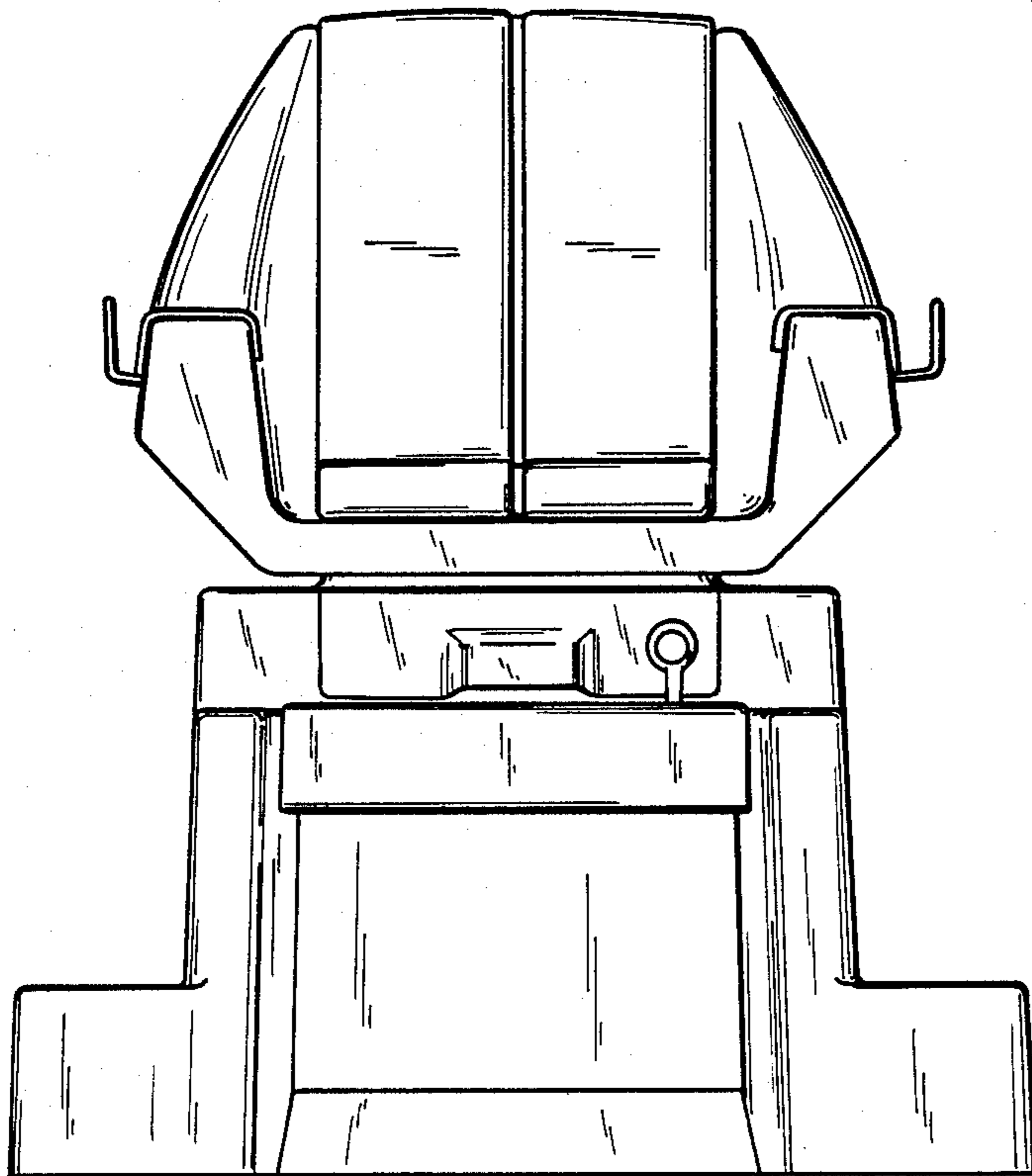


FIG. 2

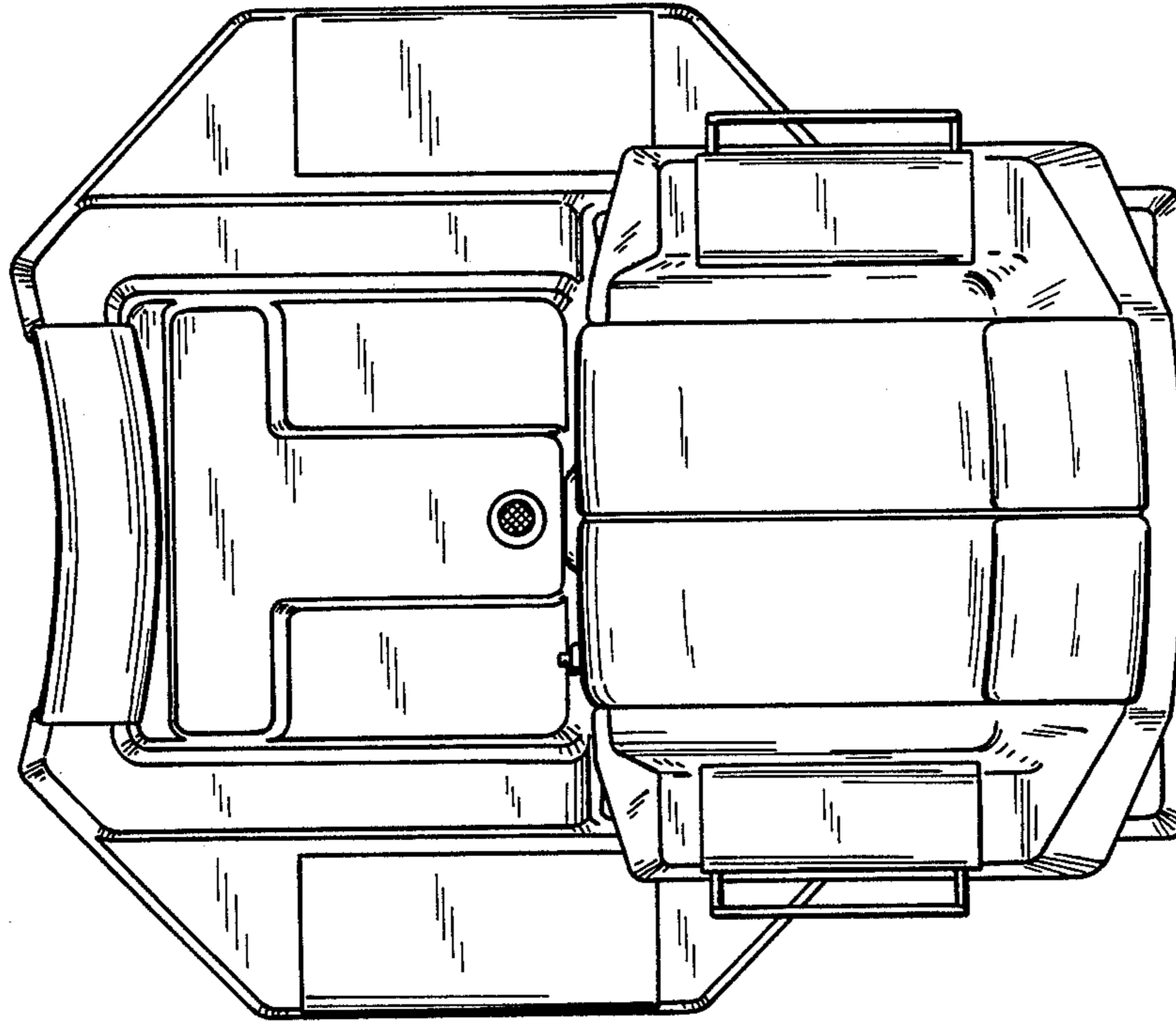


FIG. 3

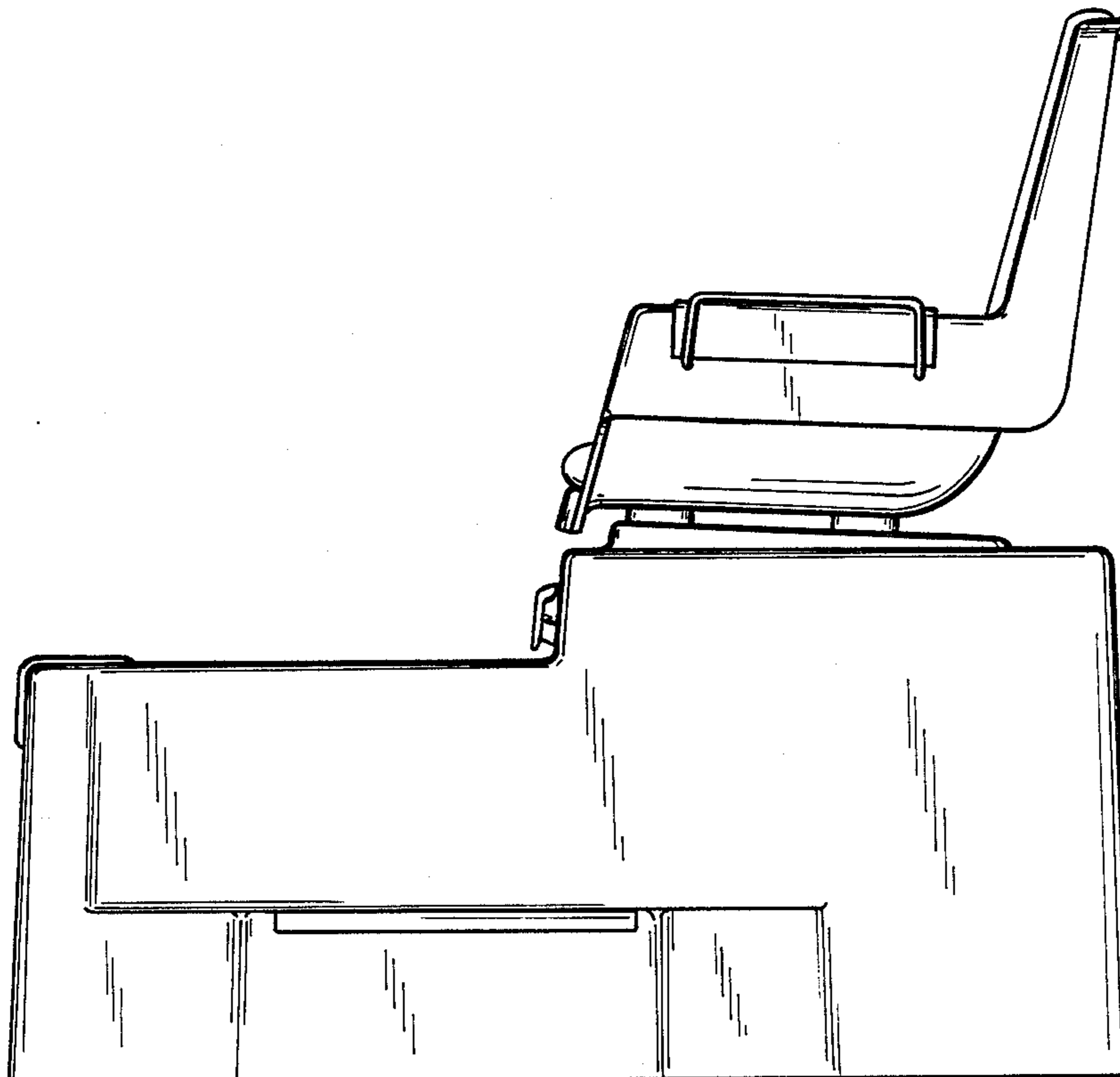


FIG. 4

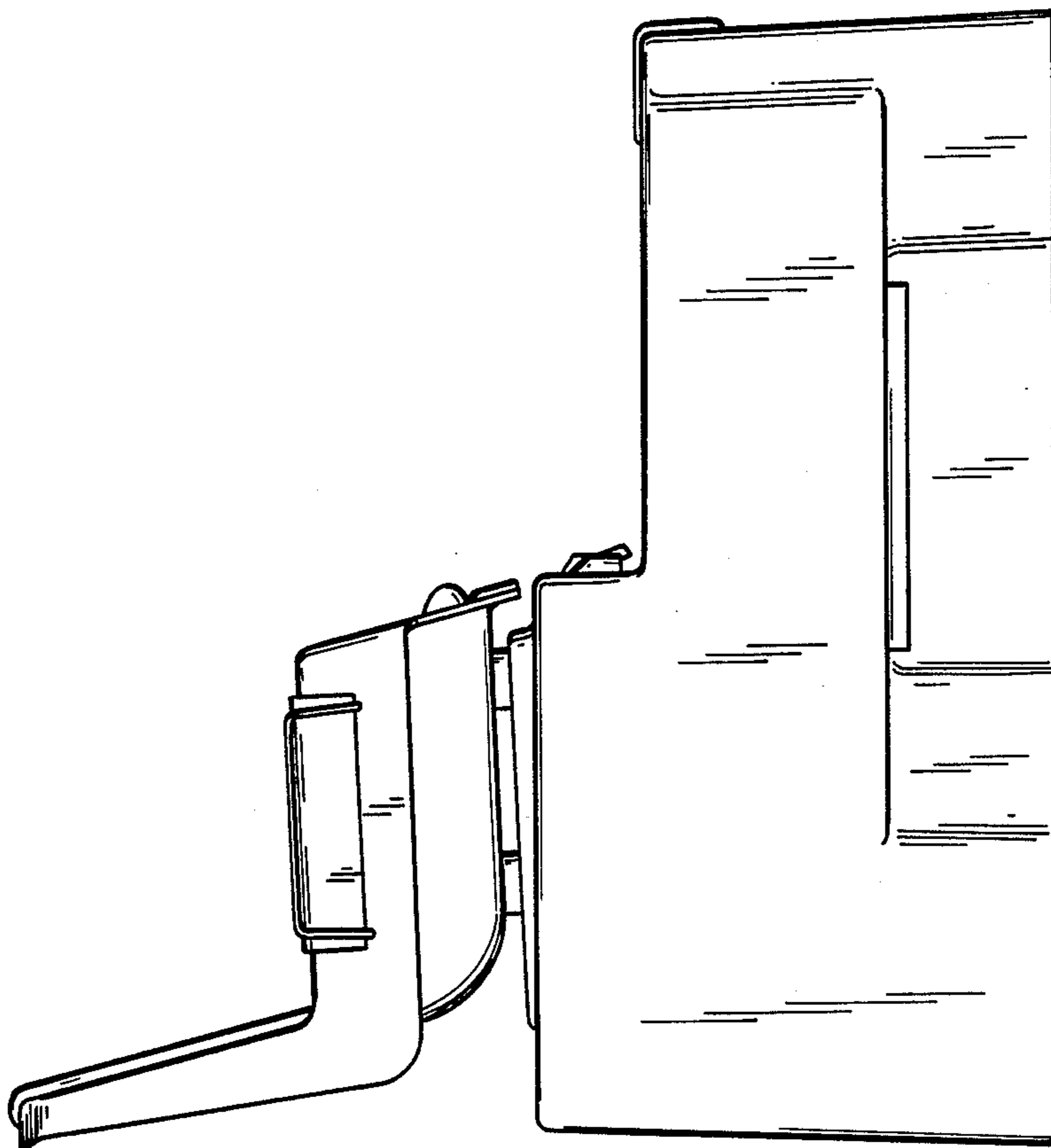


FIG. 5

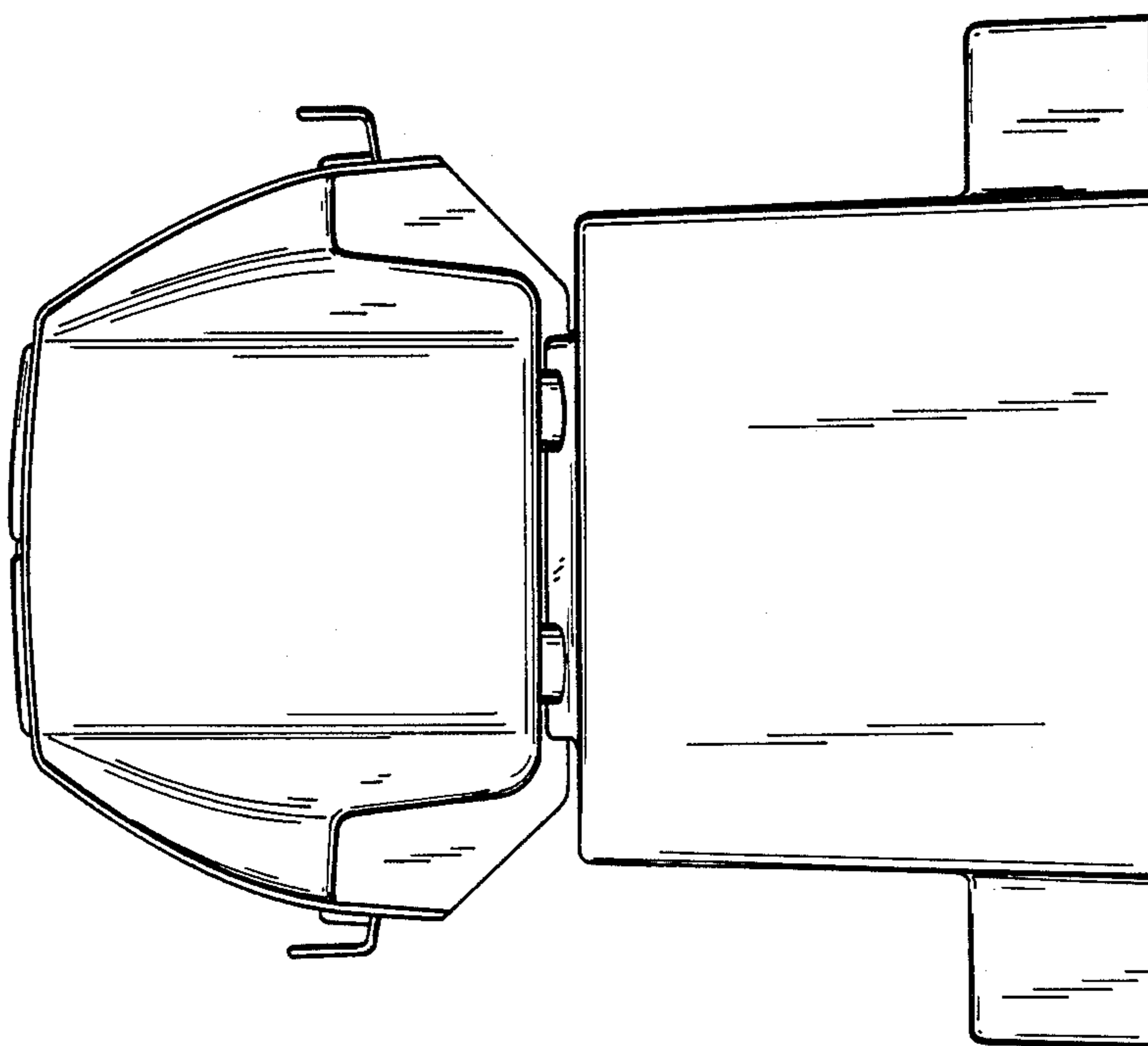


FIG. 6

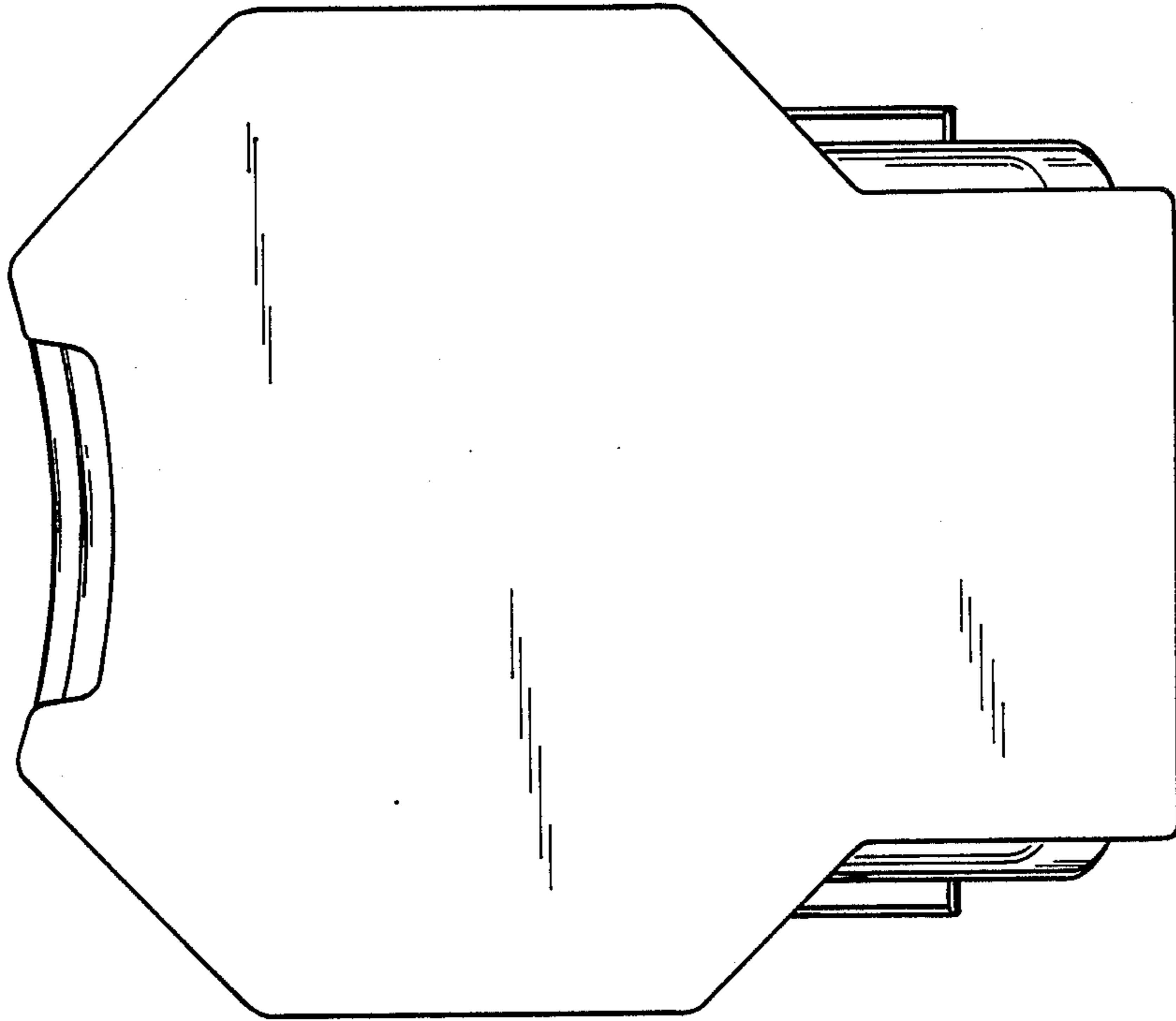


FIG. 7