

[54] PHARMACEUTICAL TABLET

[75] Inventor: Geoffrey D. Tovey, Harpenden, England

[73] Assignee: Smith Kline & French Laboratories, Limited, Welwyn Garden City, England

[**] Term: 14 Years

[21] Appl. No.: 28,625

[22] Filed: Mar. 20, 1987

[30] Foreign Application Priority Data

Sep. 26, 1986 [GB] United Kingdom 1037014

[52] U.S. Cl. D28/2; D28/8.1

[58] Field of Search D28/1, 2, 3, 8.1, 8.2; 424/464, 465, 466, 467, 478, 472, 473, 474; 426/97, 98; 252/92; D1/100, 106, 112, 121, 127, 128, 129, 199

[56] References Cited

U.S. PATENT DOCUMENTS

4,258,027 3/1981 Ullman et al. 424/467

FOREIGN PATENT DOCUMENTS

70720 1/1983 European Pat. Off. 424/467

OTHER PUBLICATIONS

PDR 34th Edition (1980), p. 17, Product Identification, McNeil Grifulvin ®, (top left).

Primary Examiner—Wallace R. Burke

Assistant Examiner—Kay H. Chin

Attorney, Agent, or Firm—Joseph A. Marlino; Stuart R. Suter; Alan D. Lourie

[57] CLAIM

The ornamental design for a pharmaceutical tablet, as shown and described.

DESCRIPTION

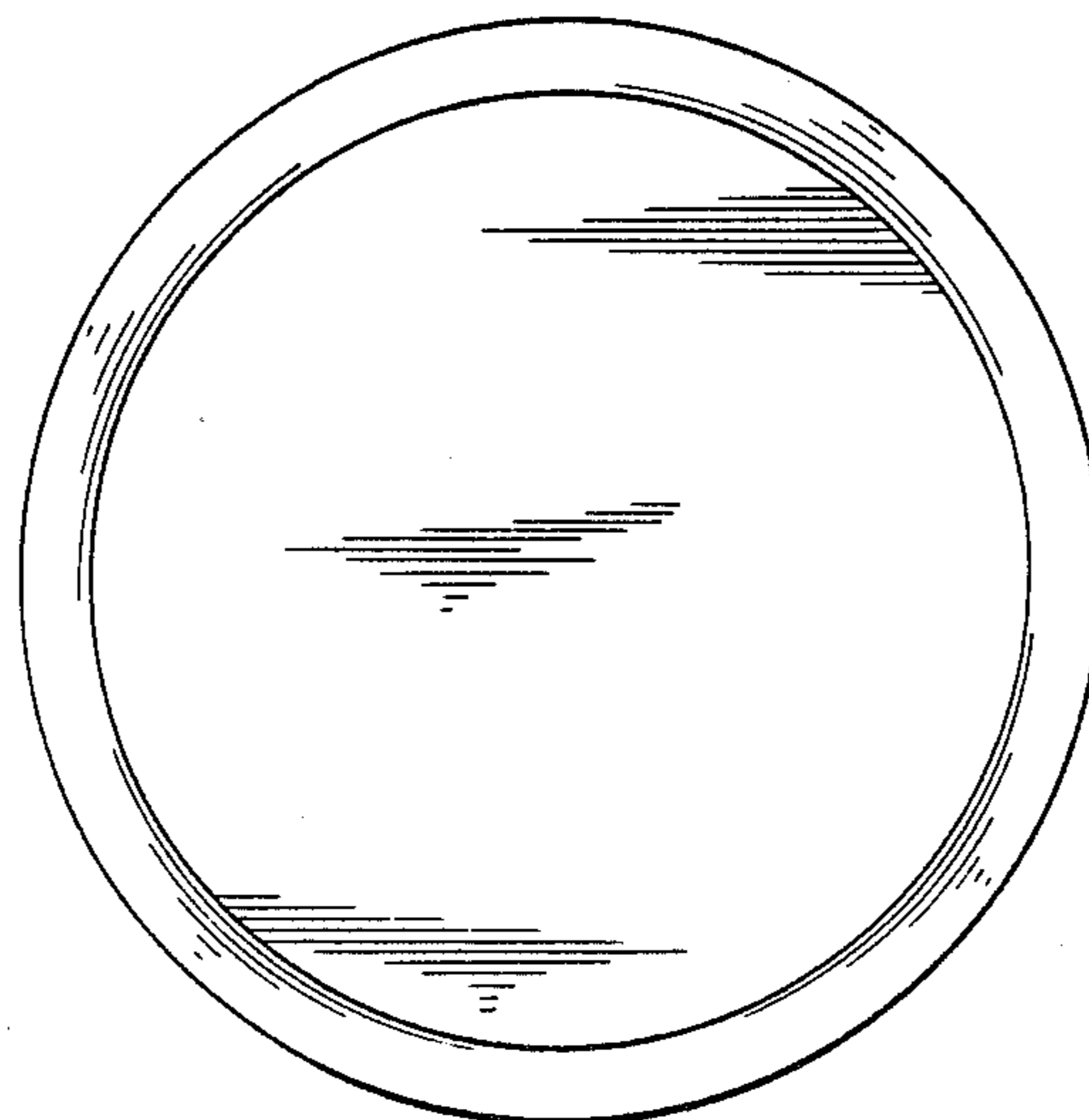
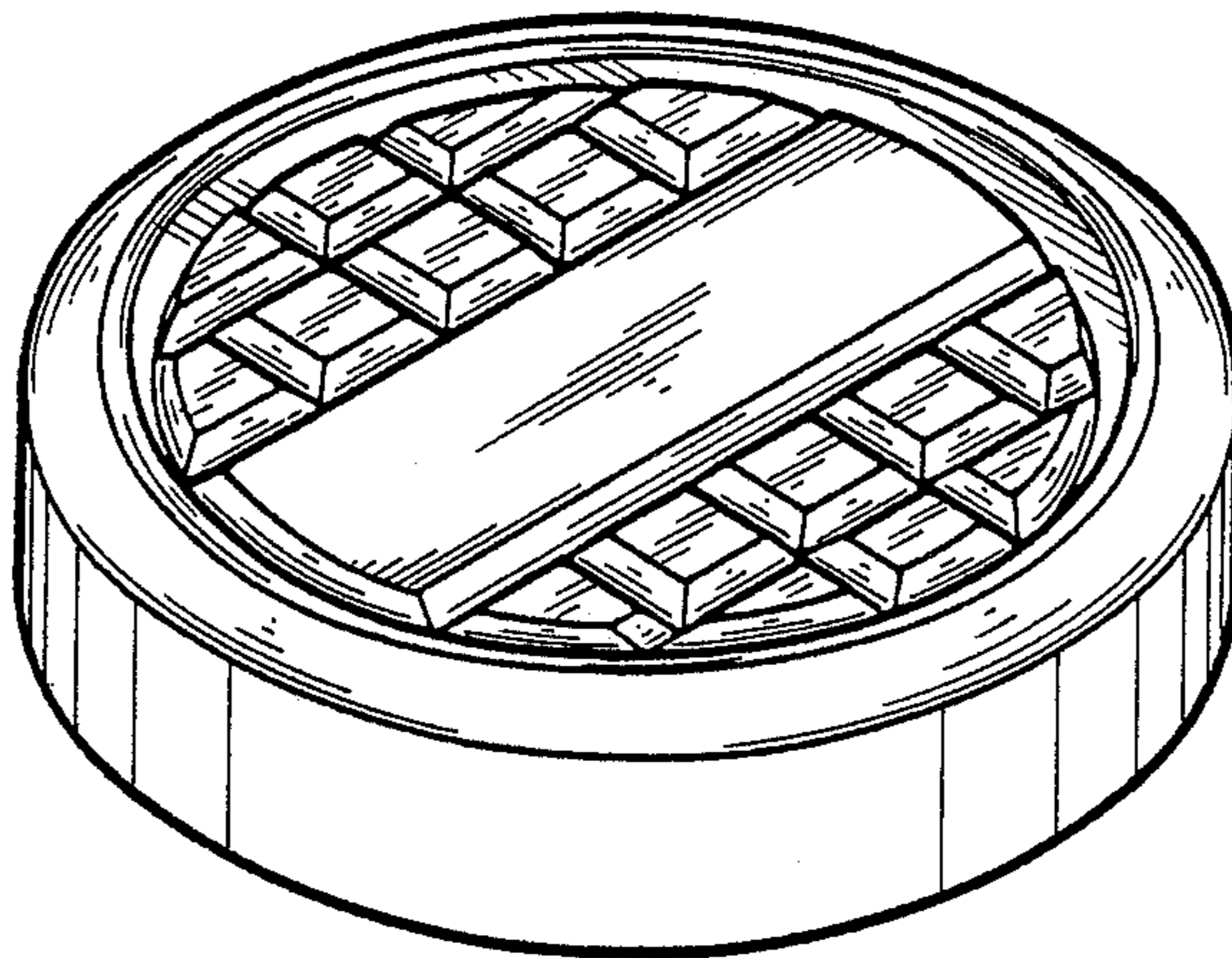
FIG. 1 is a top perspective view of a pharmaceutical tablet showing my design;

FIG. 2 is a rear elevation view thereof, the opposite view being the same as that shown.

FIG. 3 is a top plan view thereof.

FIG. 4 is a side elevation view thereof, the opposite side being the same as that shown.

FIG. 5 is a bottom plan view thereof.



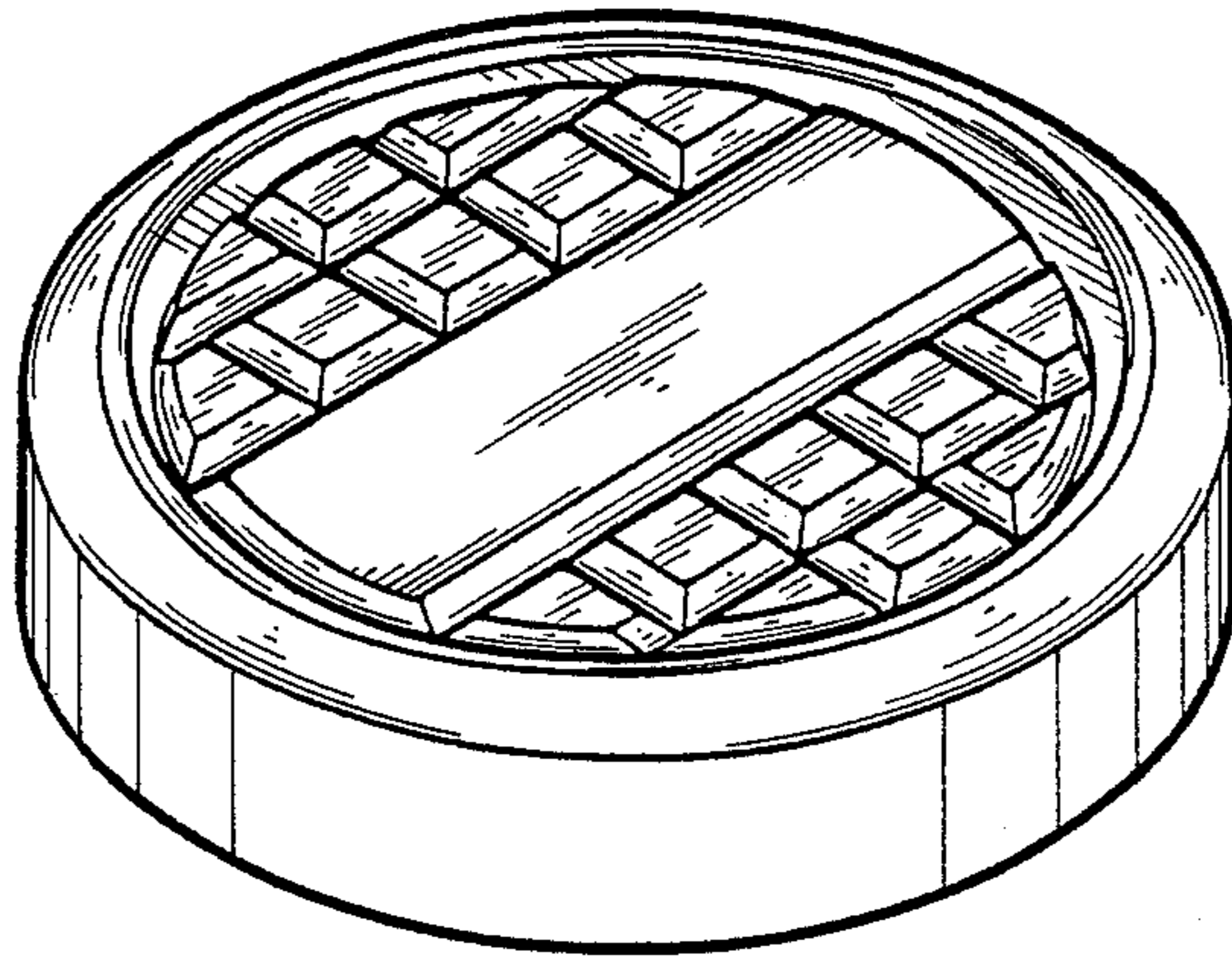


Fig. 1

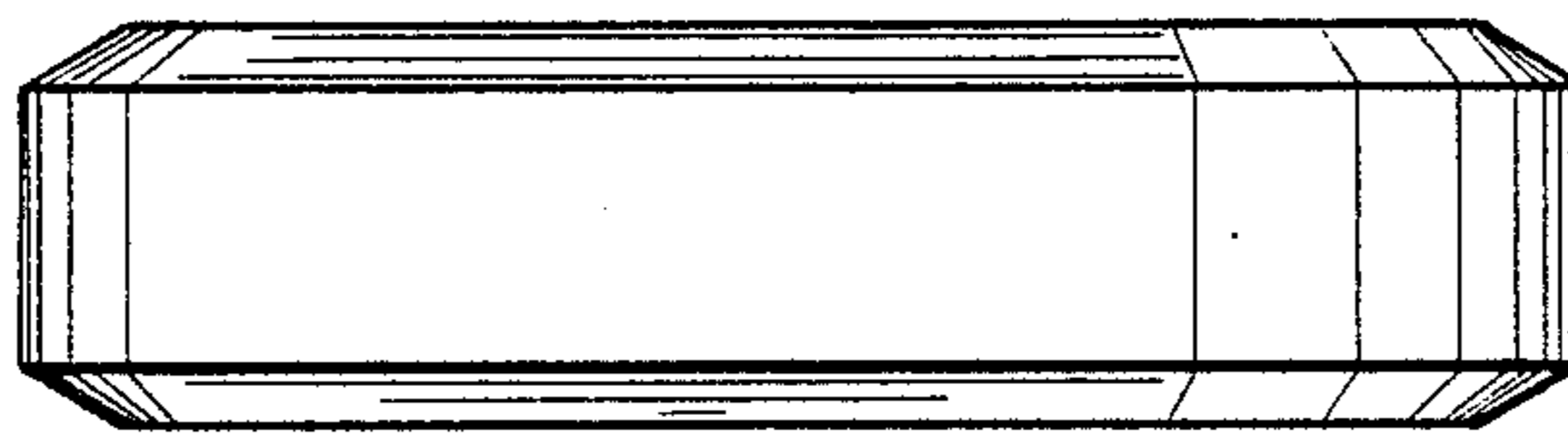


Fig. 2

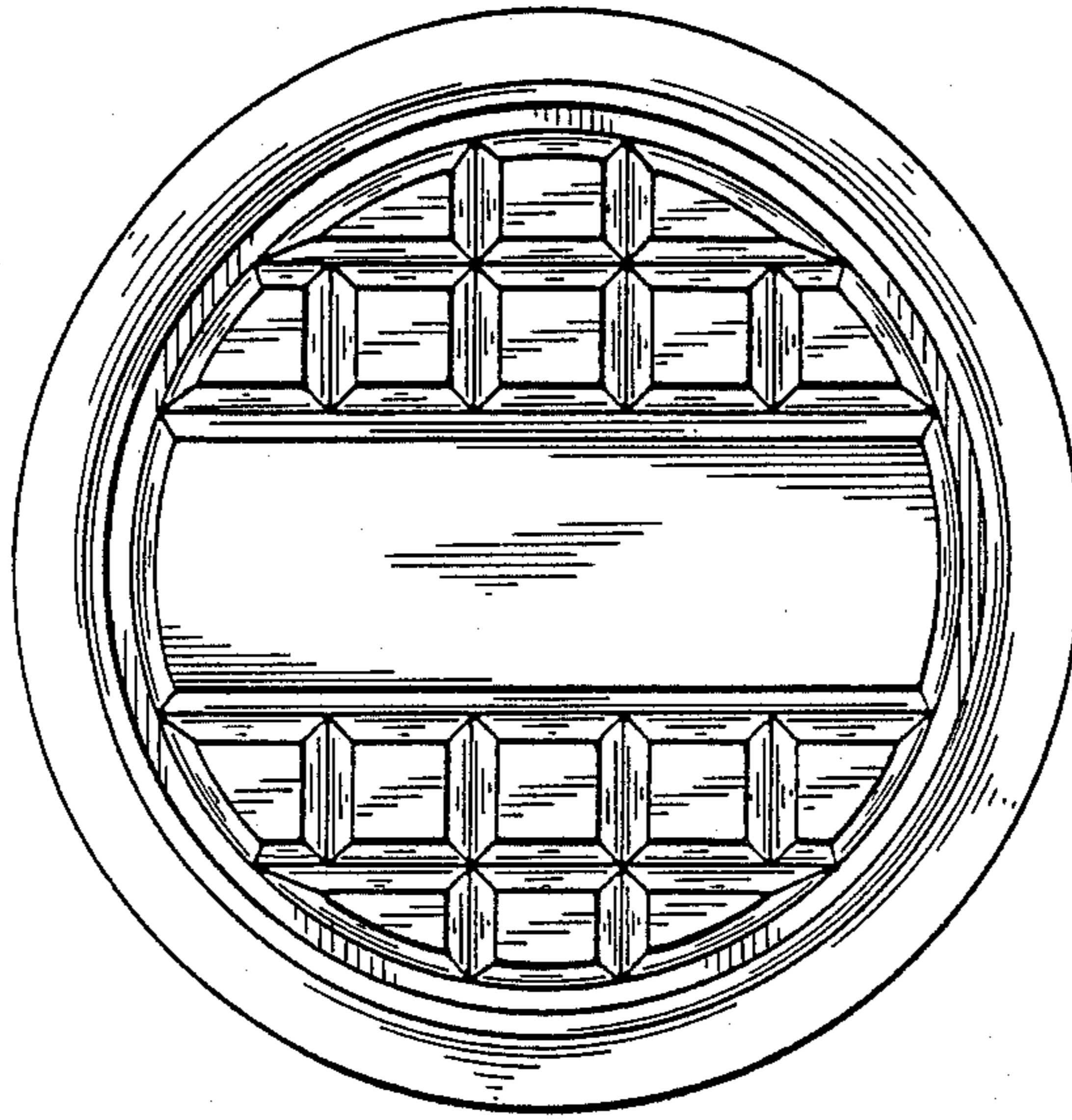


Fig. 3

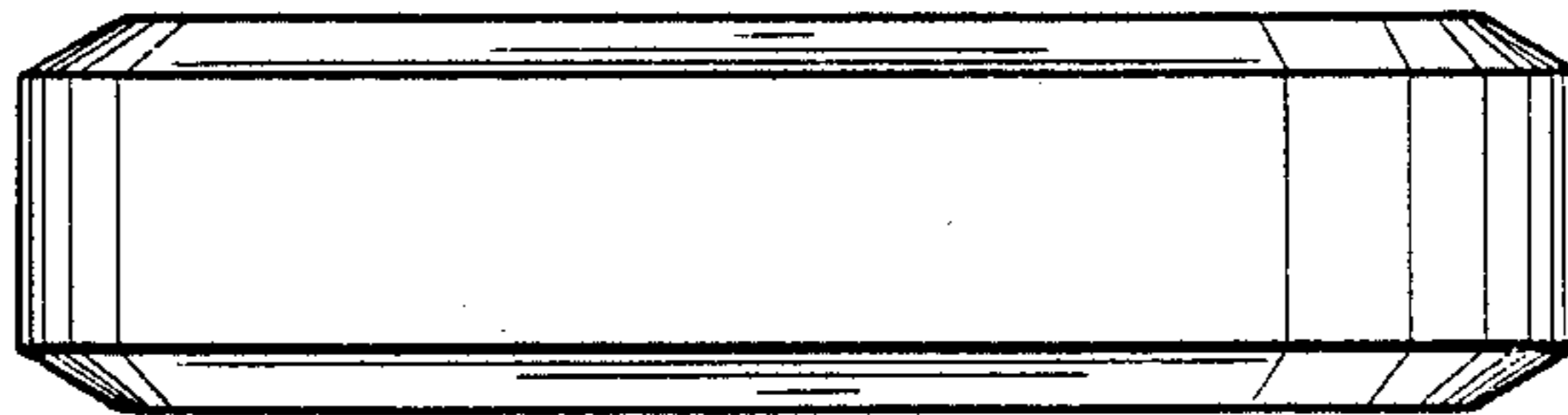


Fig. 4

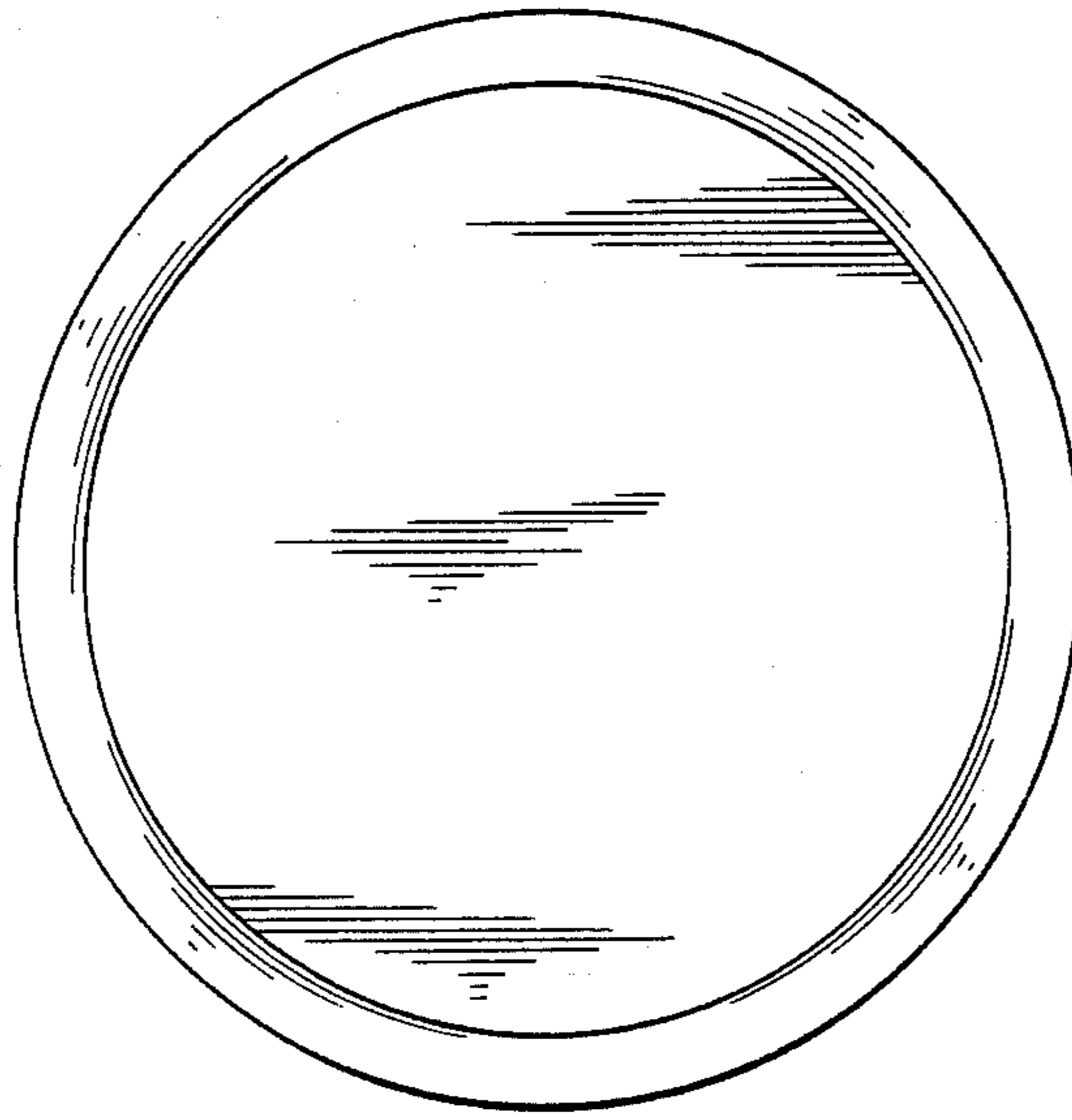


Fig. 5