

[54] CLIP FOR HOLDING A LIGHTER

[76] Inventor: Charles Heath, 504 Riverview Dr., Marietta, Ga. 30067

[\*\*] Term: 14 Years

[21] Appl. No.: 880,328

[22] Filed: Jun. 30, 1986

[52] U.S. Cl. .... D27/172; D8/395; D27/175

[58] Field of Search ..... D27/36-42, D27/51; 206/85-89; 224/246, 247; 431/253, 343; D8/395

[56] References Cited

U.S. PATENT DOCUMENTS

D. 261,775	11/1981	Valigura	.....	D27/38	X
D. 273,426	4/1984	Zucker	.....	D27/37	X
4,363,432	12/1982	Warther	.....	206/87	X
4,486,169	12/1984	Lewis	.....	206/85	X

Primary Examiner—Catherine E. Kemper  
Attorney, Agent, or Firm—Jones, Askew & Lunsford

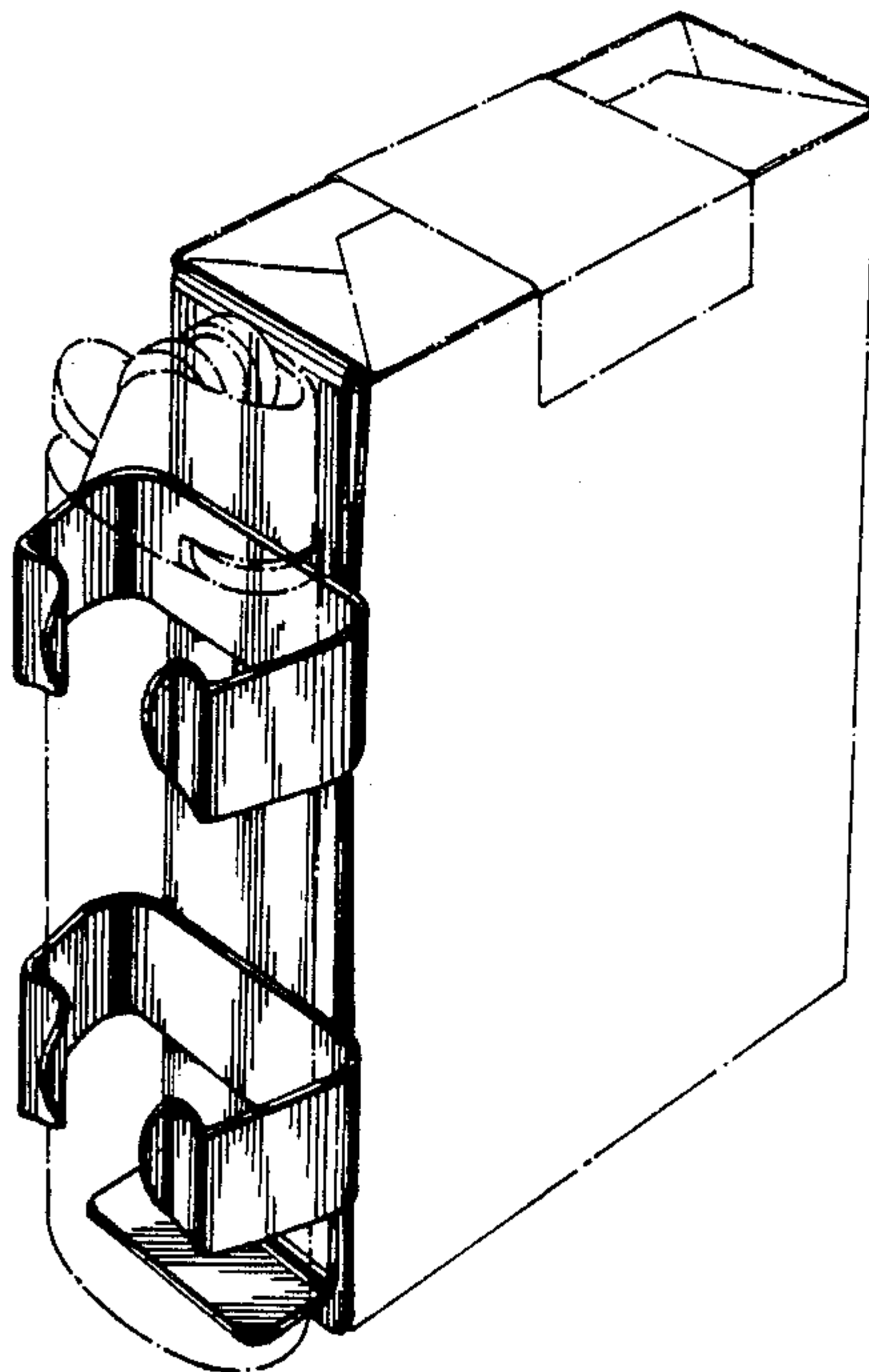
[57] CLAIM

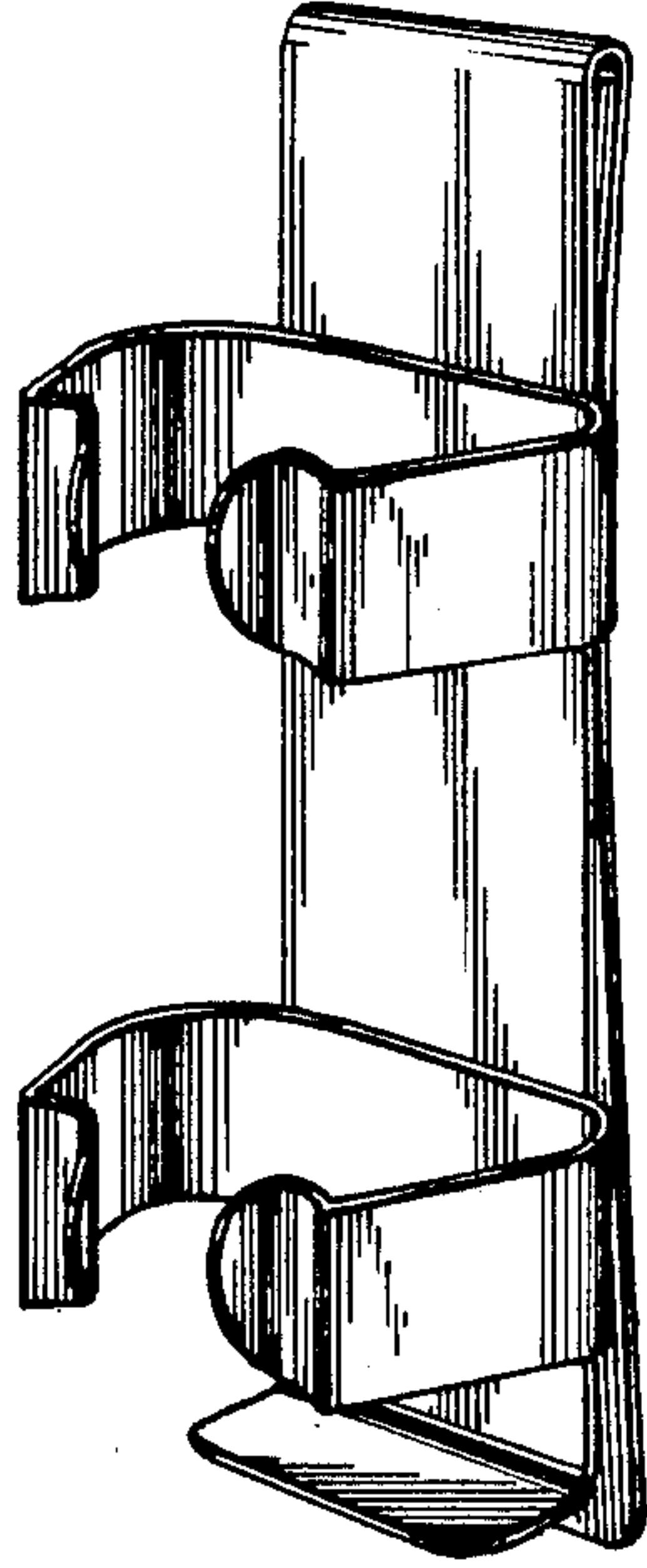
The ornamental design for a clip for holding a lighter, substantially as shown and described.

DESCRIPTION

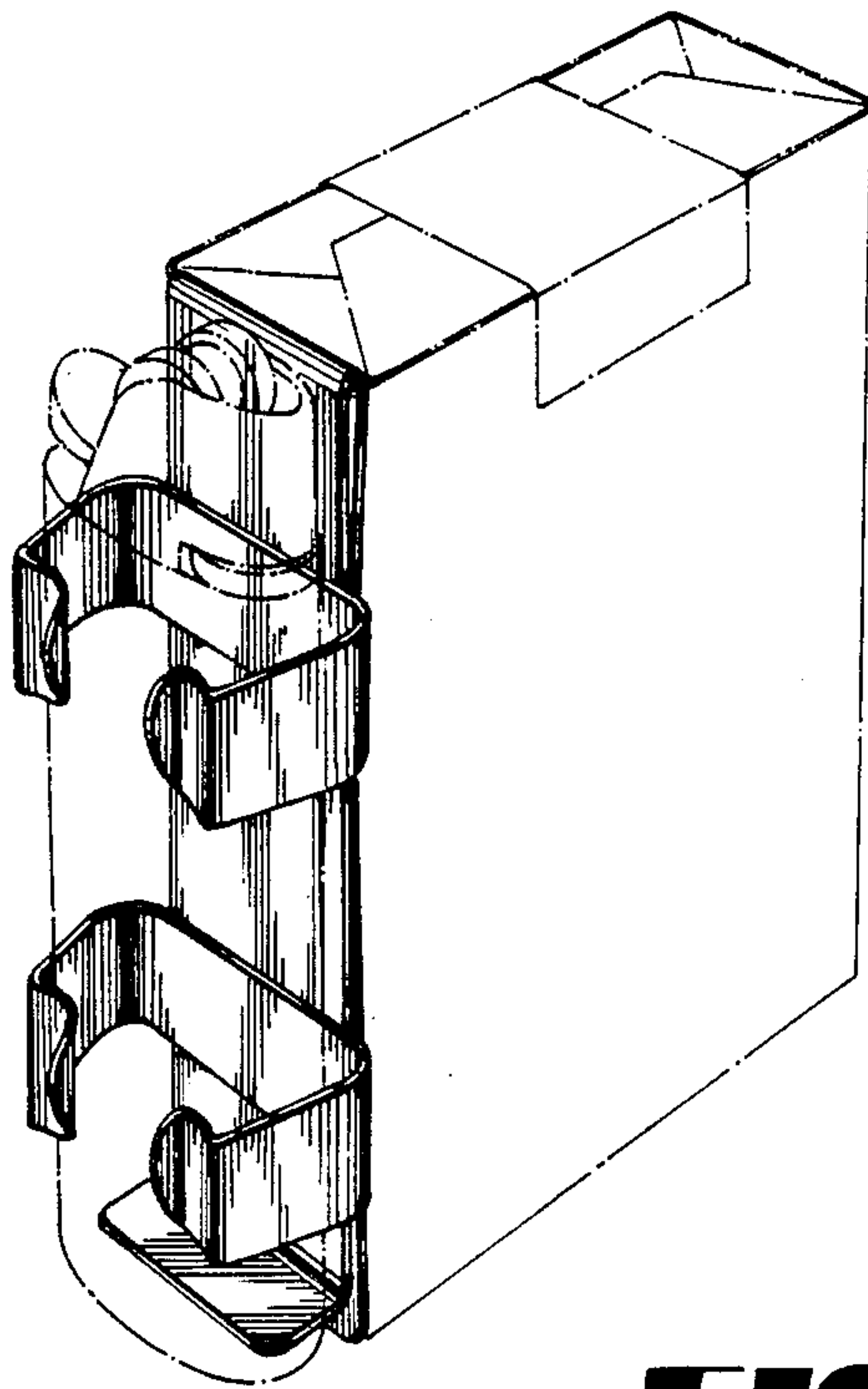
FIG. 1 is a perspective view of a clip for holding a lighter, showing my new design;  
FIG. 2 is a front view thereof;  
FIG. 3 is a top plan view thereof;  
FIG. 4 is a left elevation view thereof;  
FIG. 5 is a right elevation view thereof;  
FIG. 6 is a bottom plan view thereof; and  
FIG. 7 is a perspective view of the clip as it appears in use.

The broken line disclosure of a cigarette lighter and pack shown in FIG. 7 is for illustrative purposes only and forms no part of the claimed design.

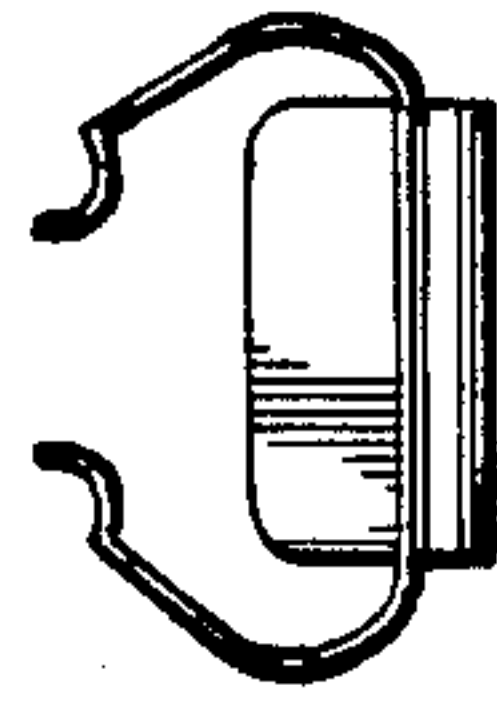




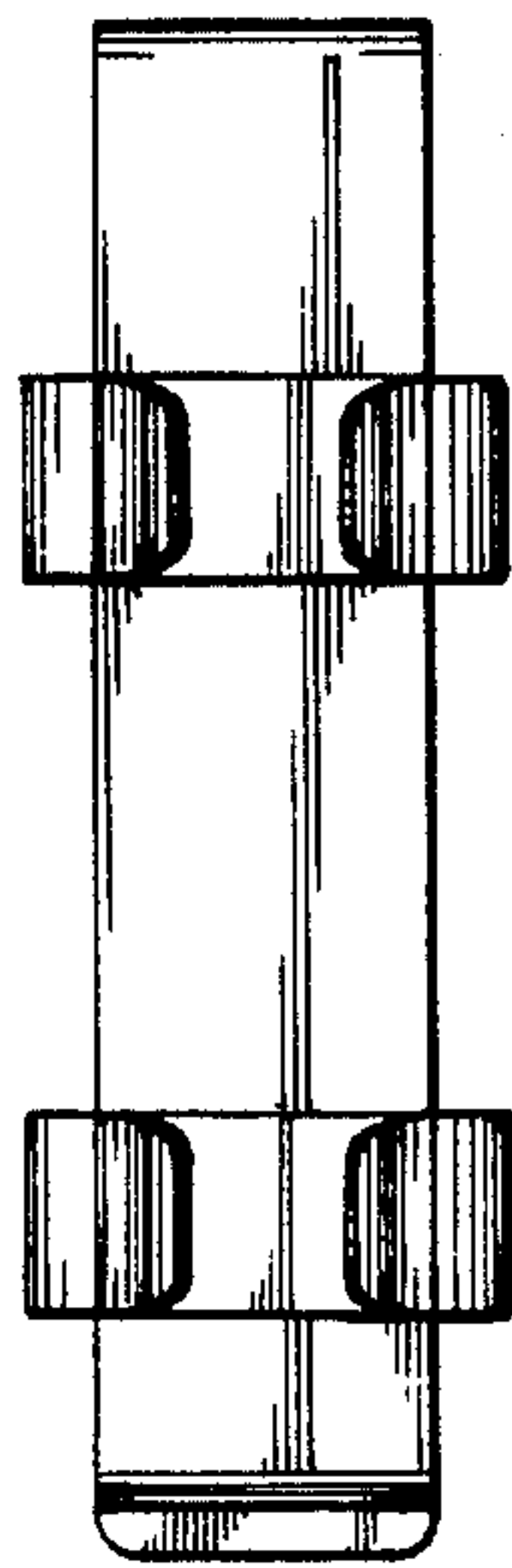
**FIG 1**



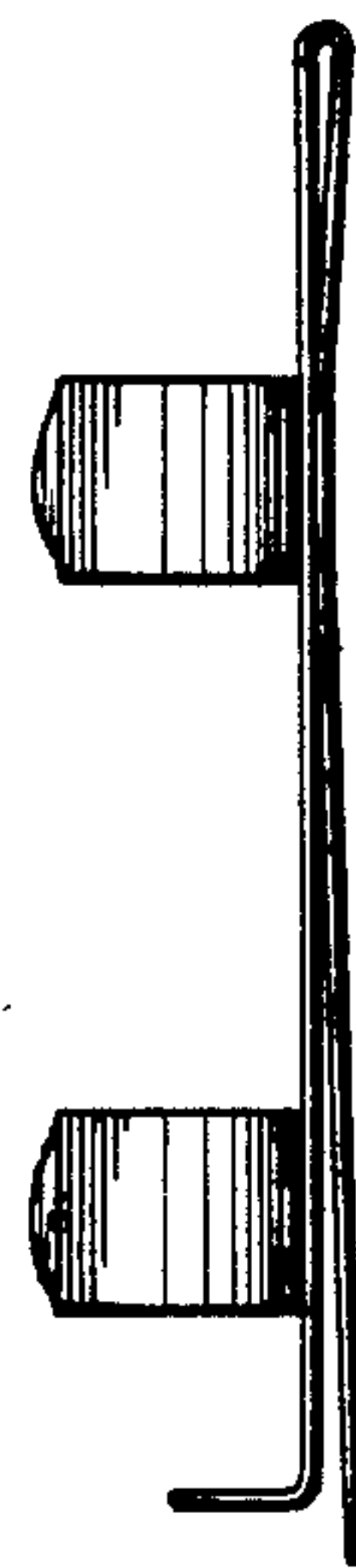
**FIG 7**



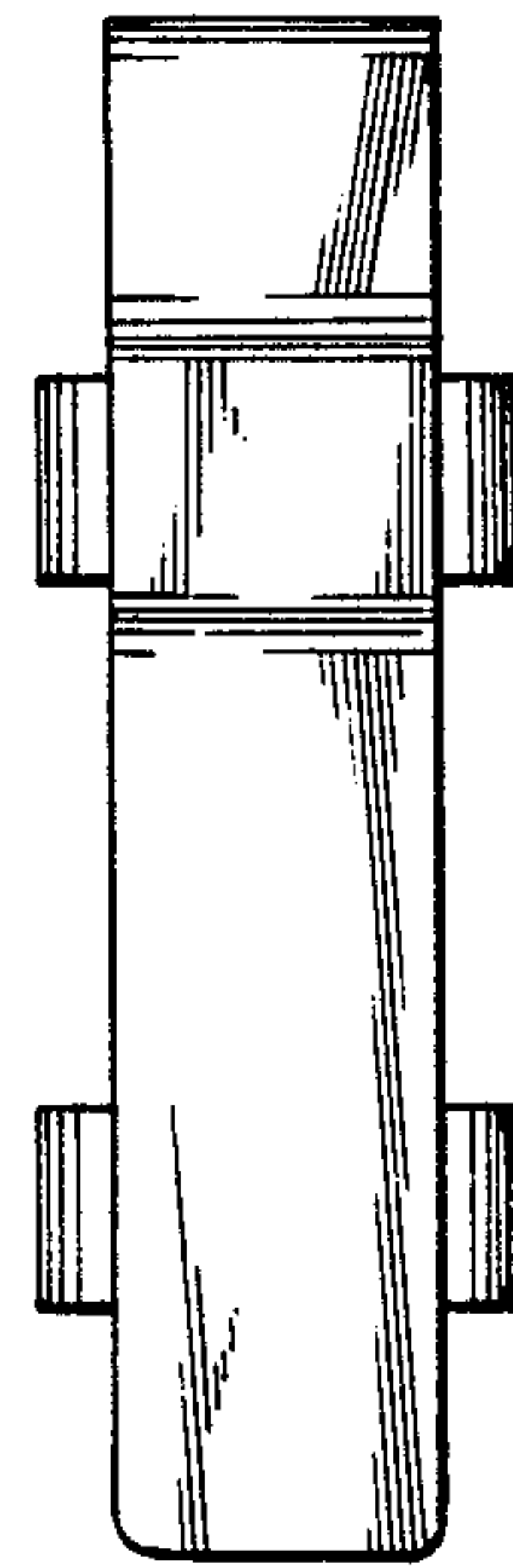
**FIG 3**



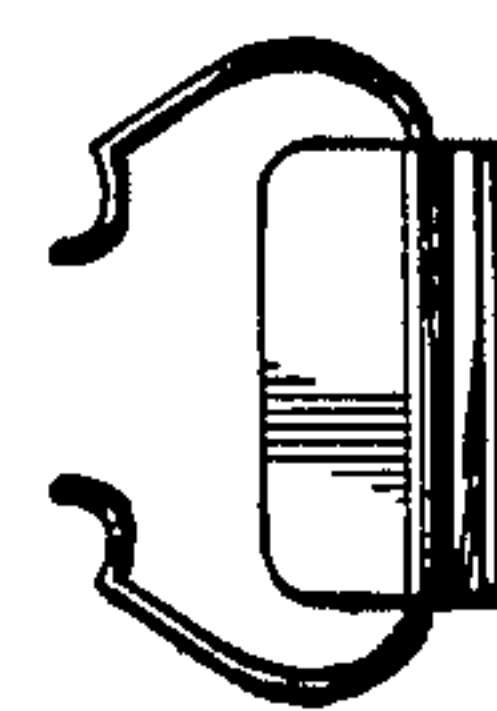
**FIG 4**



**FIG 2**



**FIG 5**



**FIG 6**