

[54] LAMP

[56]

References Cited

U.S. PATENT DOCUMENTS

3,500,105 3/1970 Westlund, Jr. et al. 313/315 X
4,568,854 2/1986 Westlund, Jr. et al. 313/579

OTHER PUBLICATIONS

Osram Lighting Brochure, Lamp #EGT.

Primary Examiner—Susan J. Lucas

Attorney, Agent, or Firm—Joseph S. Romanow

[75] Inventors: Kirti B. Chakrabarti, Danvers, Mass.;
Donald F. Garrity, Jr., Chester, N.H.;
James L. Cashman, III, Salem, Mass.

[73] Assignee: GTE Products Corporation, Danvers,
Mass.

[**] Term: 14 Years

[57]

CLAIM

The ornamental design for a lamp, as shown and de-
scribed.

[21] Appl. No.: 909,459

DESCRIPTION

[22] Filed: Sep. 18, 1986

[52] U.S. Cl. D26/2

[58] Field of Search D6/1, 2, 3; 313/315,
313/317, 318, 110, 113, 116, 491, 493, 567, 569,
25, 579; 315/56, 57, 58, 73; 362/307, 309, 297,
310

FIG. 1 is a front perspective view of a lamp showing
our new design;

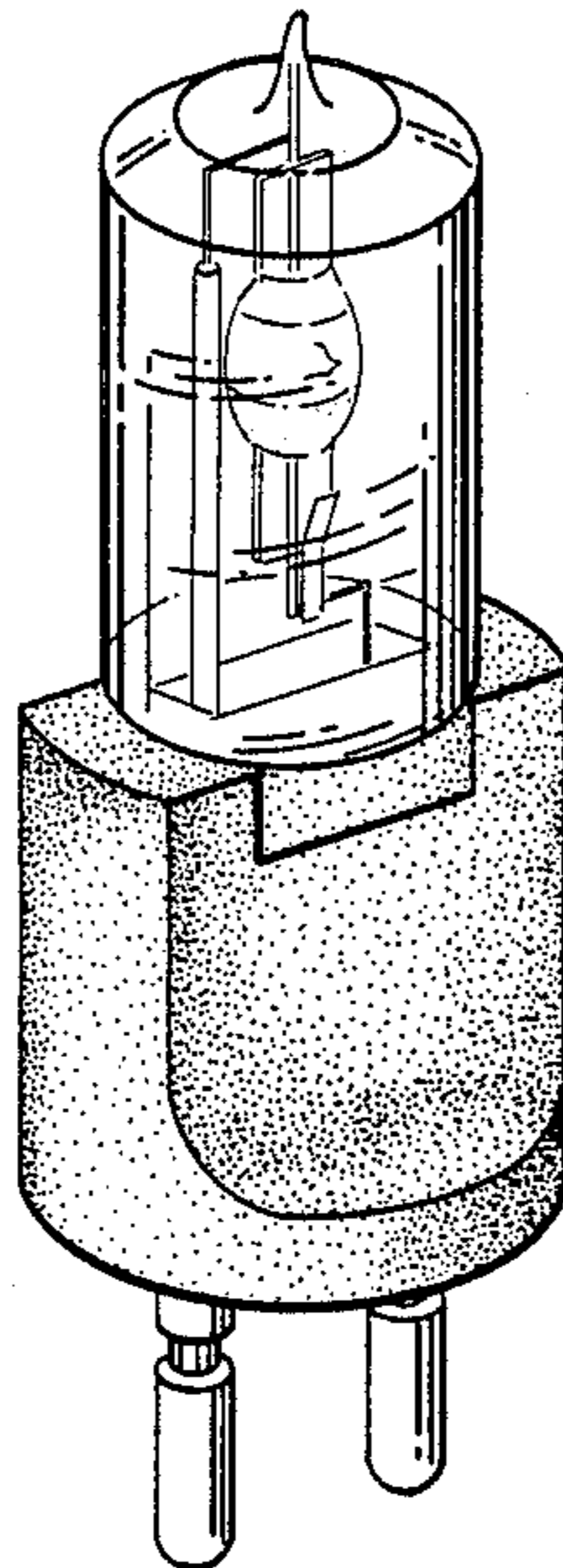
FIG. 2 is a rear elevational view thereof;

FIG. 3 is a right side elevational view thereof;

FIG. 4 is a left side elevational view thereof;

FIG. 5 is a bottom plan view thereof; and

FIG. 6 is a top plan view thereof.



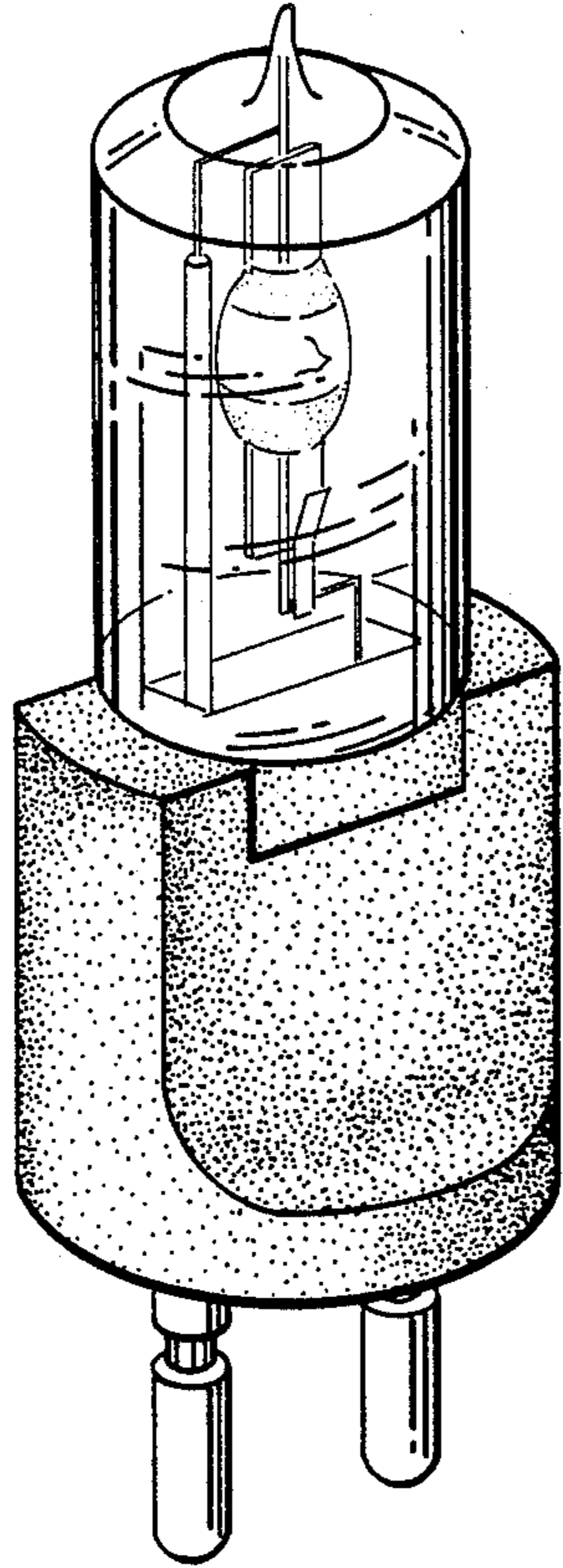


FIG. 1

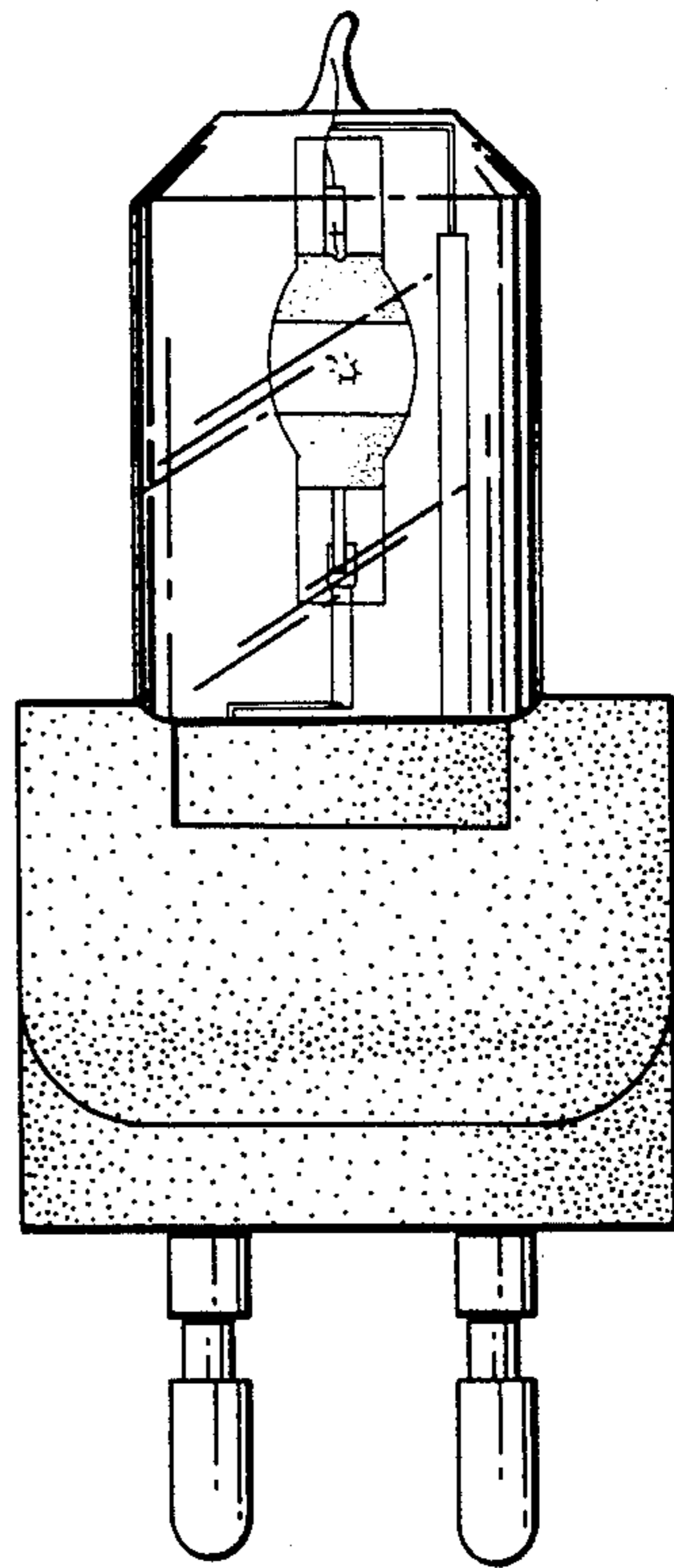


FIG. 2

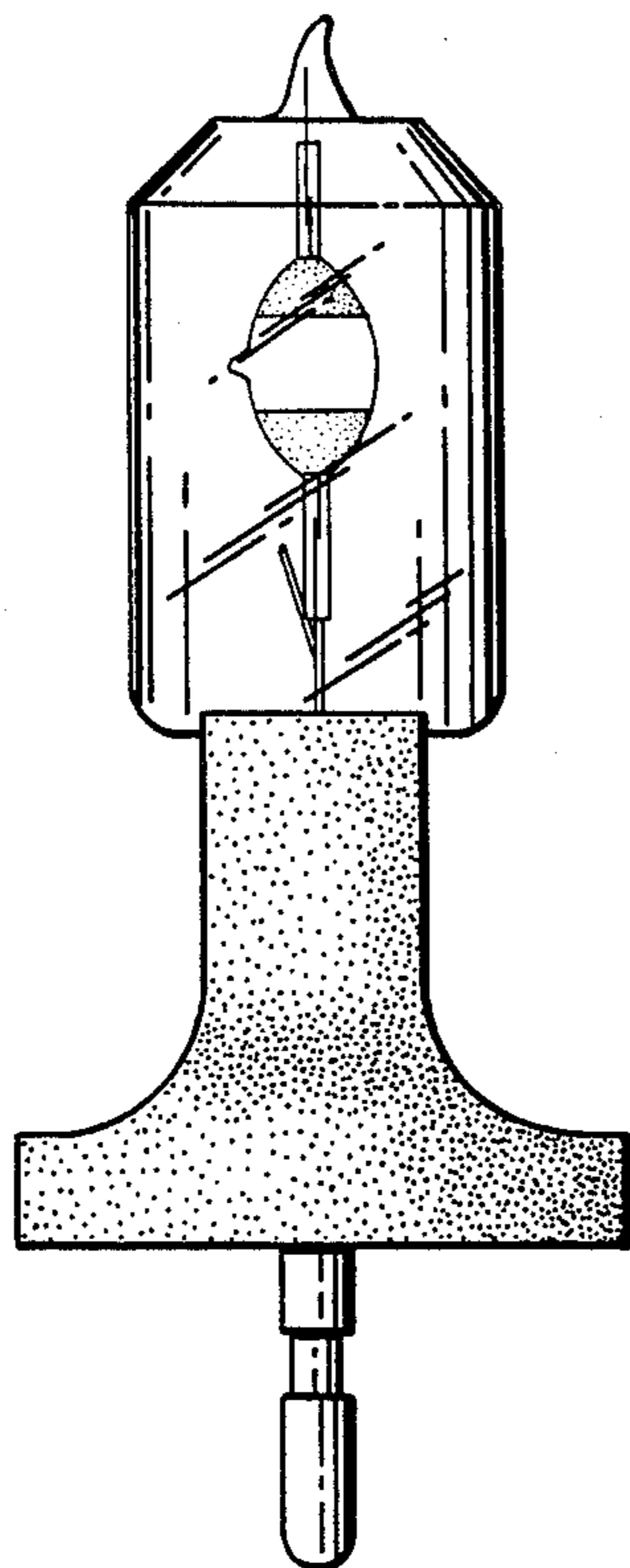


FIG. 3

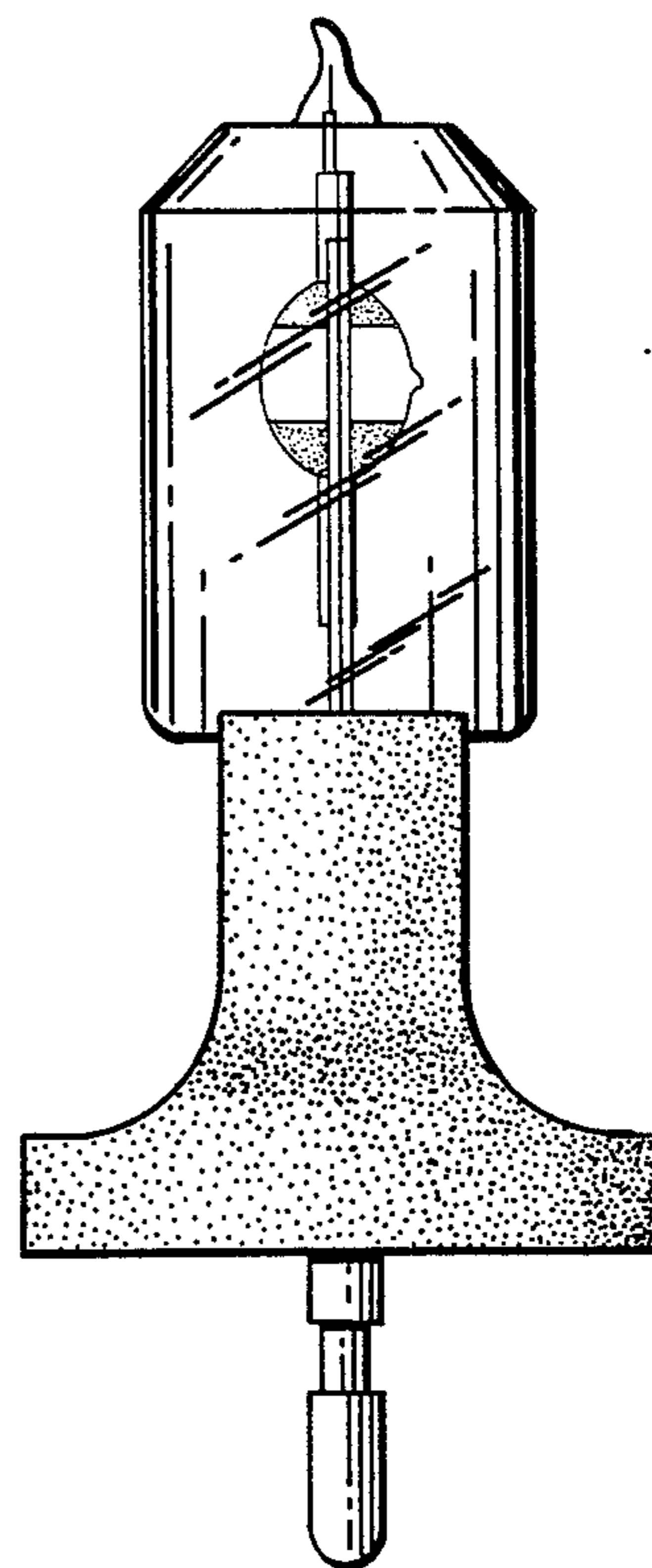


FIG. 4

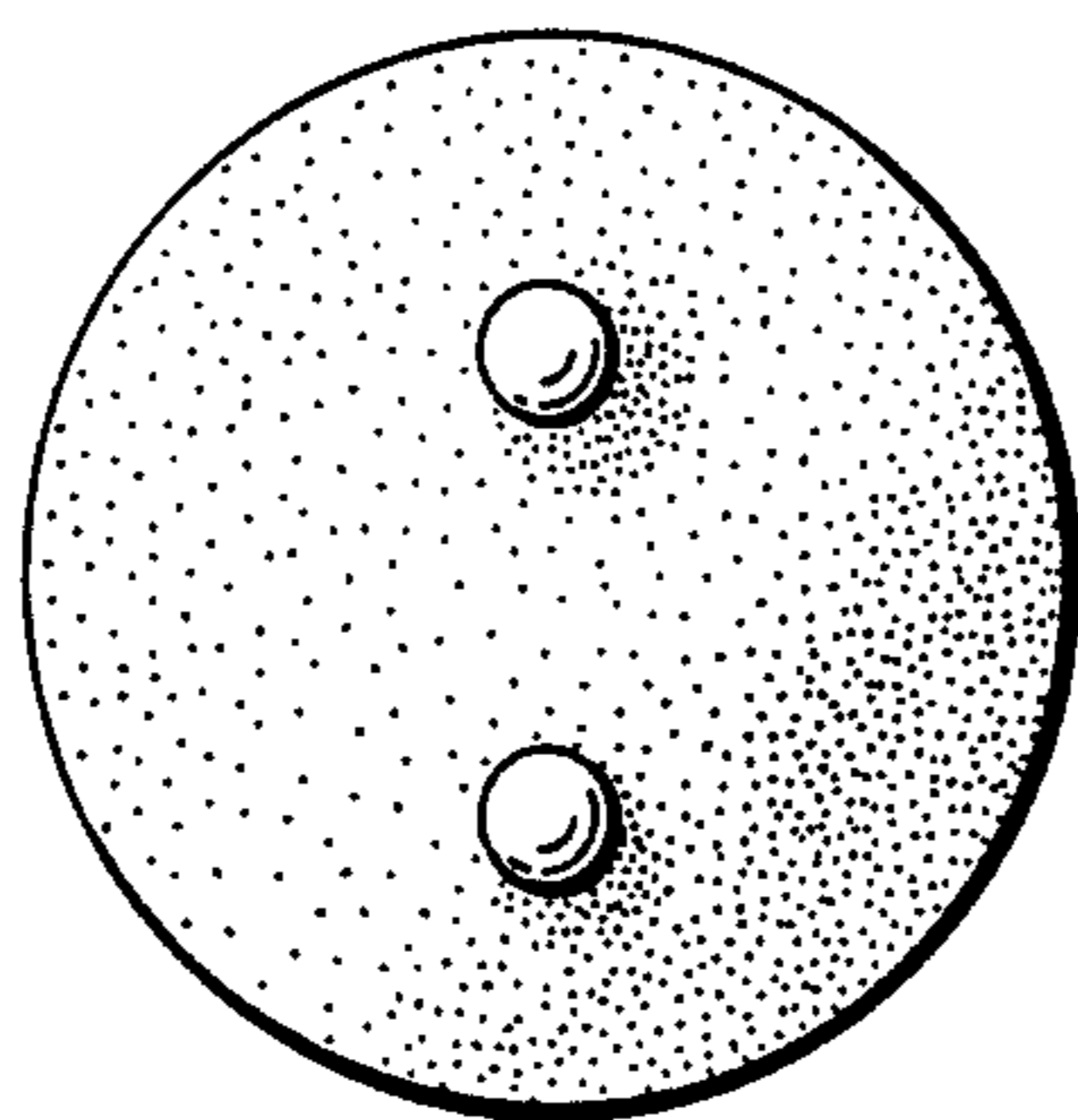


FIG. 5

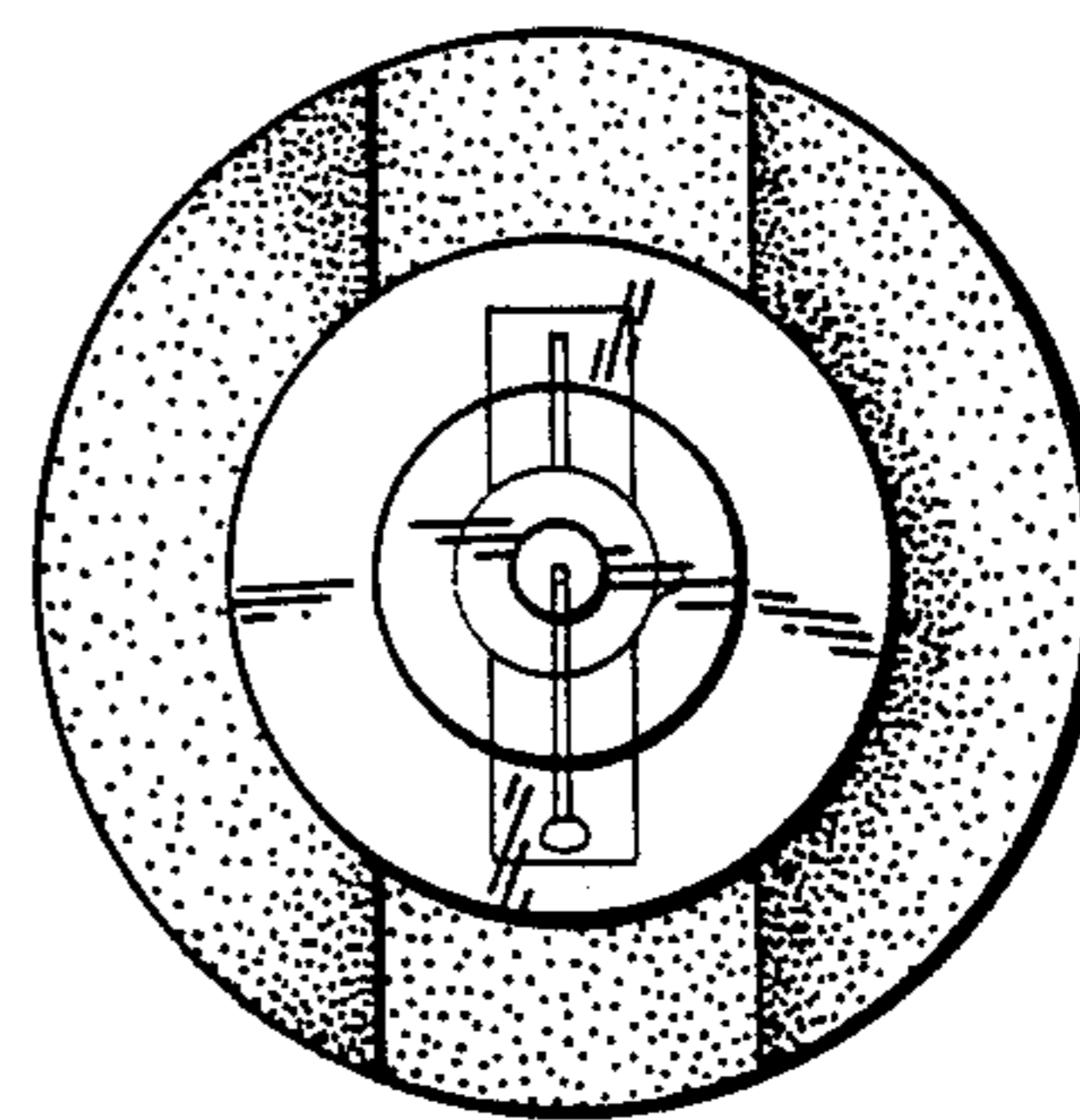


FIG. 6

UNITED STATES PATENT AND TRADEMARK OFFICE
CERTIFICATE OF CORRECTION

PATENT NO. : Des. 303,156

DATED : August 29, 1989

INVENTOR(S) : Kirti B. Chakrabarti; Donald F. Garrity, Jr.; and
James L. Cashman, III

It is certified that error appears in the above-identified patent and that said Letters Patent is hereby corrected as shown below:

First paragraph of application, which assigns rights in the invention to the U.S. Government, and which was omitted from the patent, should read:

"The Government has rights in this invention pursuant to Contract No. DTCG23-84-C-20027 awarded by the United States Coast Guard."

Signed and Sealed this
Twenty-fifth Day of September, 1990

Attest:

Attesting Officer

HARRY F. MANBECK, JR.

Commissioner of Patents and Trademarks