

[54] TREE STEP

4,422,527 12/1983 Schultz et al. 182/92
4,620,610 11/1986 Southard 182/92

[76] Inventor: Billy E. Ayers, 2801 13th Ave.,
Vienna, W. Va. 26105

Primary Examiner—A. Hugo Word
Assistant Examiner—Doris Clark
Attorney, Agent, or Firm—Jerry T. Kearns

[**] Term: 14 Years

[21] Appl. No.: 74,463

[57] CLAIM

[22] Filed: Jul. 16, 1987

The ornamental design for a tree step, as shown and described.

[52] U.S. Cl. D25/62; 182/92

[58] Field of Search D25/68, 69; 182/92,
182/90; 248/218.4, 219.4, 230, 231; D8/373,
381, 396

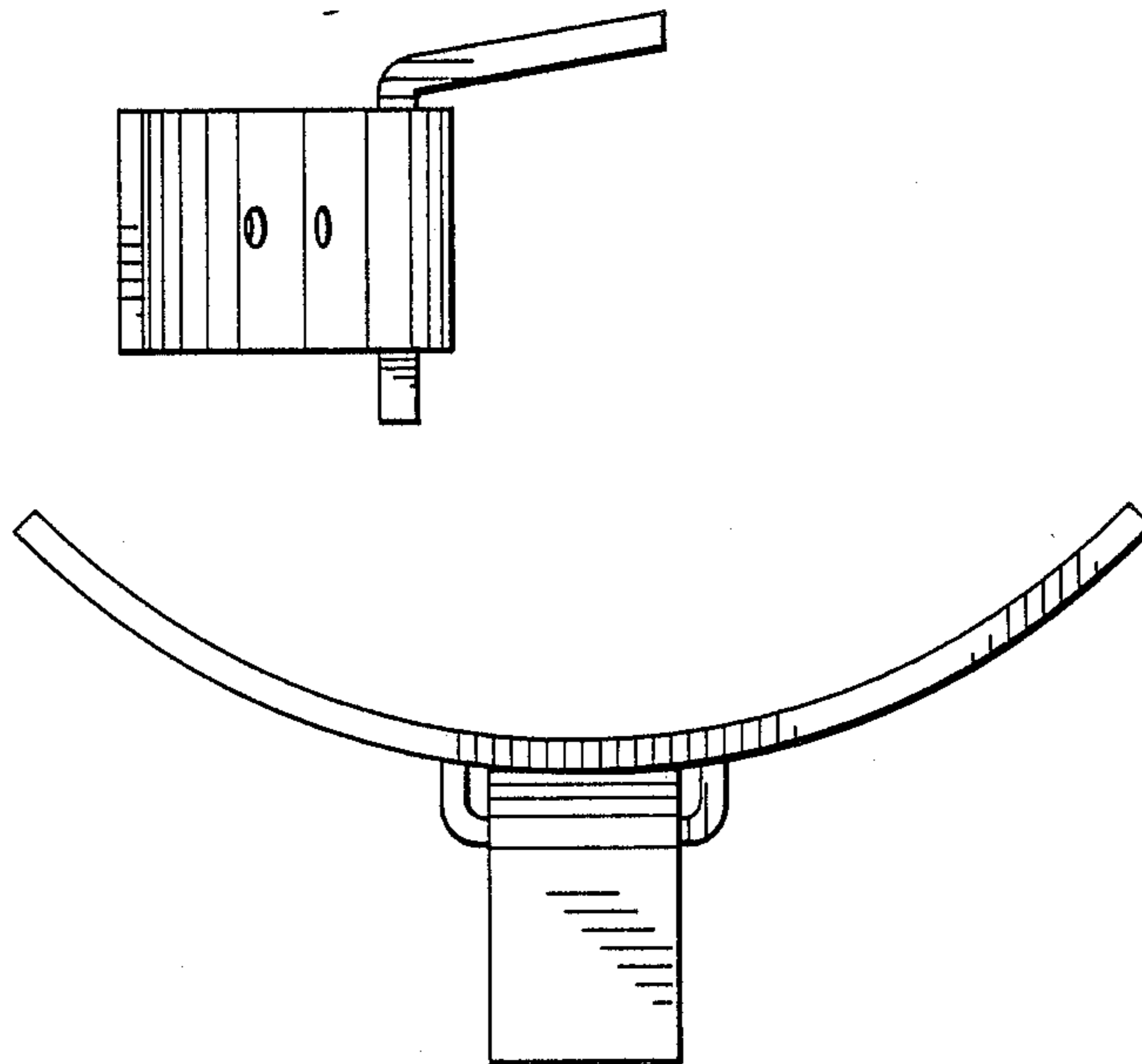
DESCRIPTION

[56] References Cited

U.S. PATENT DOCUMENTS

1,342,626 6/1920 Fronk 248/231
1,716,826 6/1929 Master 248/231
4,309,263 1/1982 Boyd 248/231

FIG. 1 is a front elevational view of a tree step showing my new design;
FIG. 2 is a rear elevational view thereof;
FIG. 3 is a left side elevational view thereof;
FIG. 4 is a right side elevational view thereof;
FIG. 5 is a top plan view thereof; and,
FIG. 6 is a bottom plan view thereof.



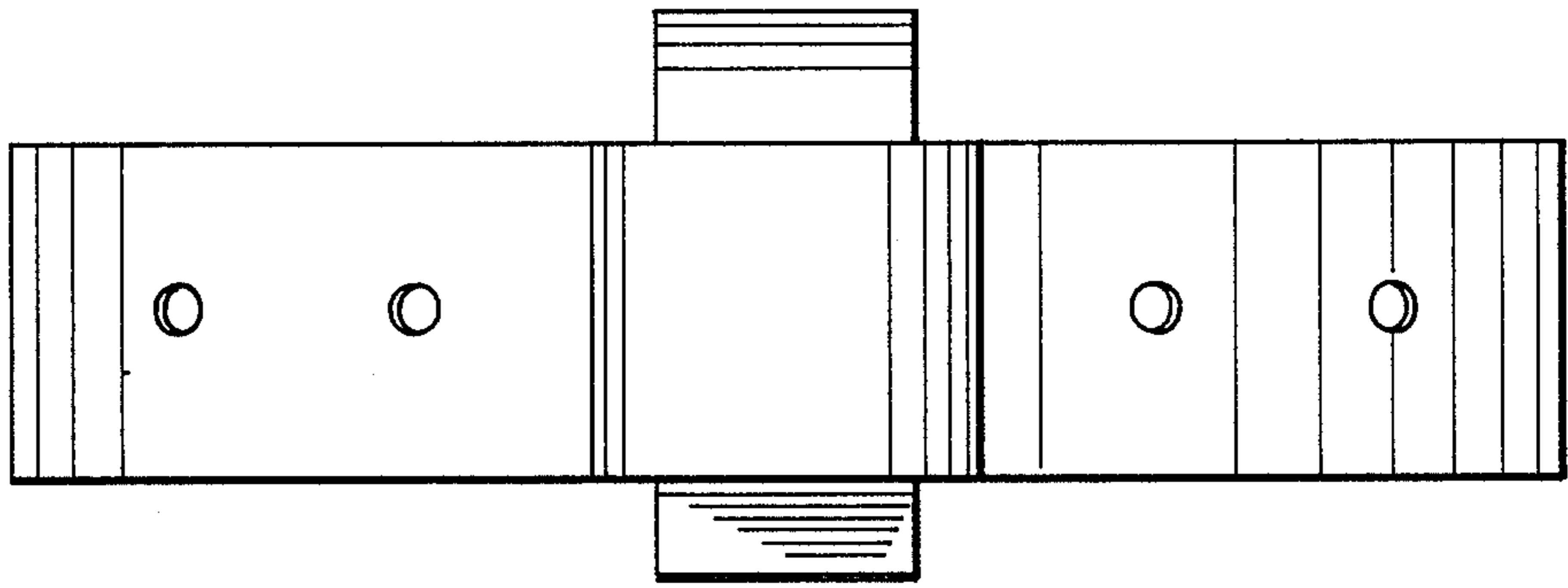


Fig. 1

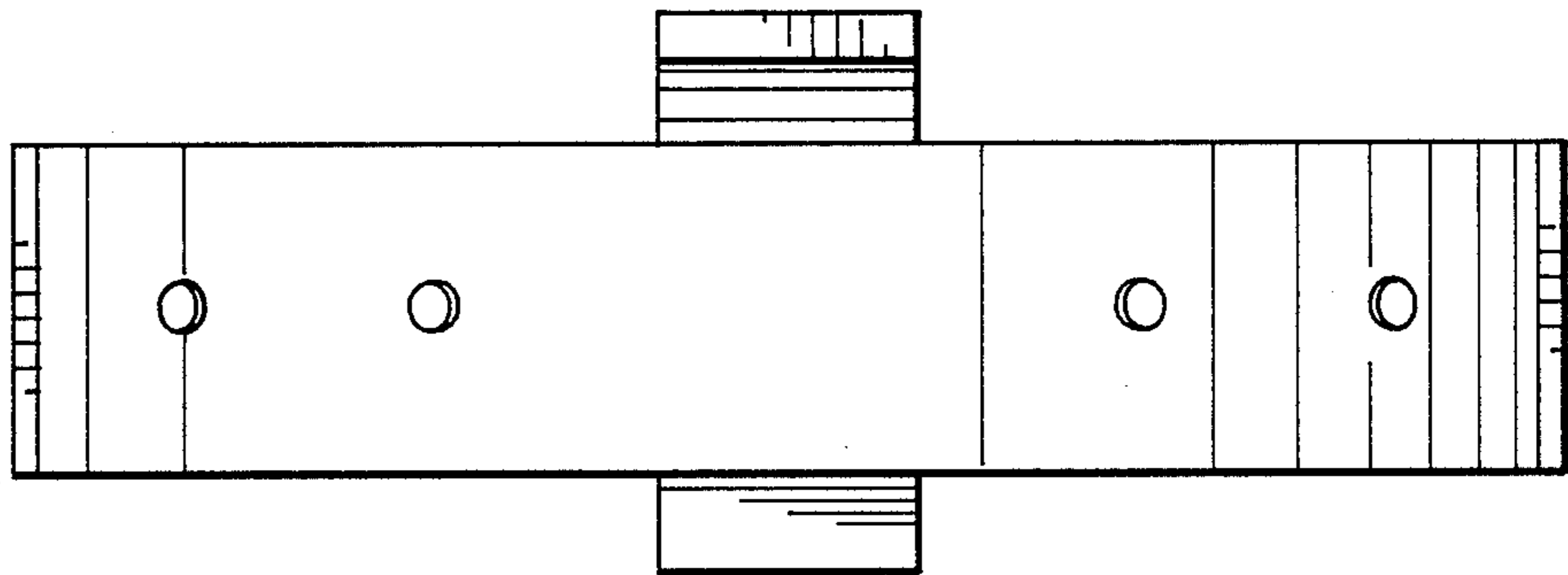


Fig. 2

Fig. 3

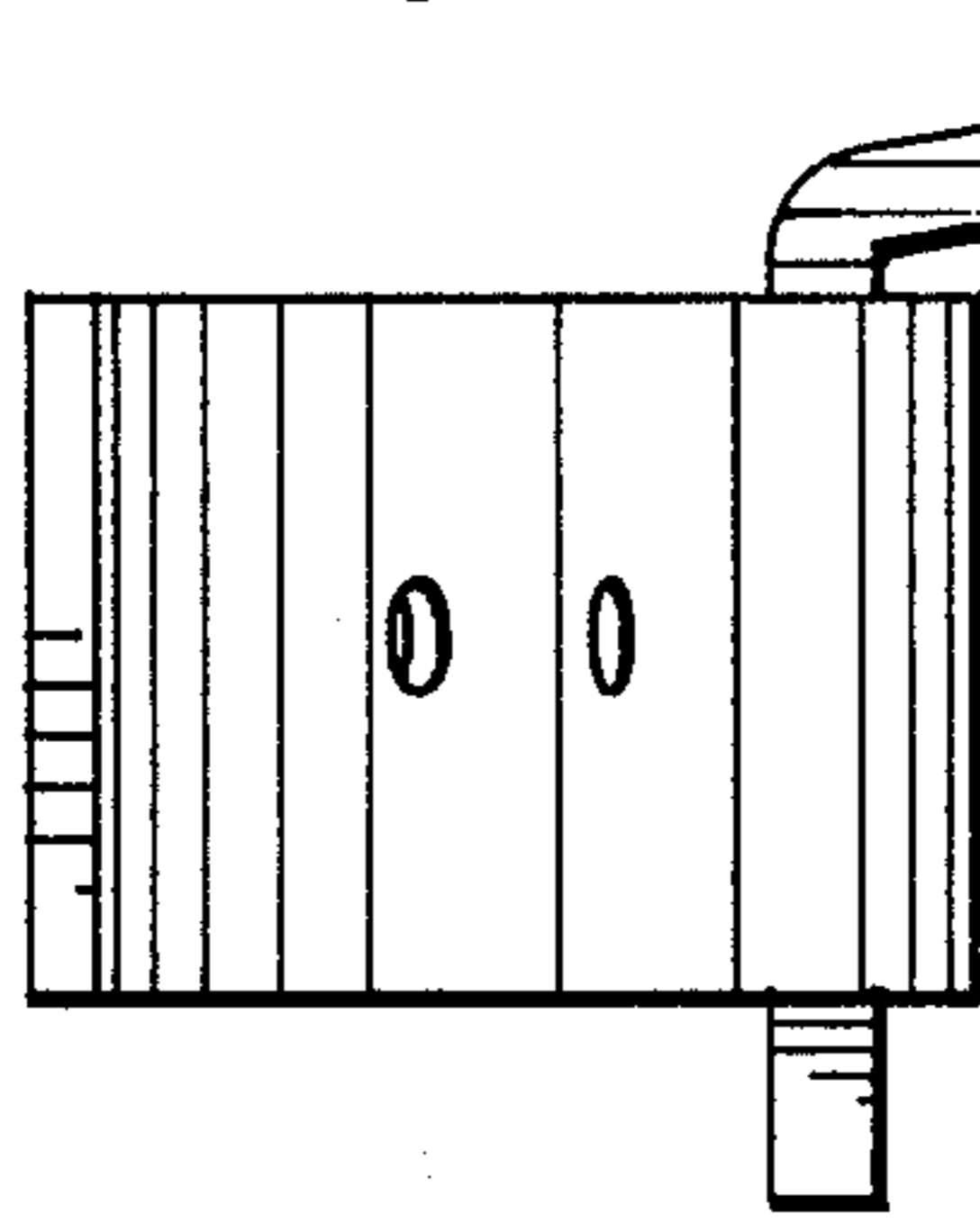


Fig. 4

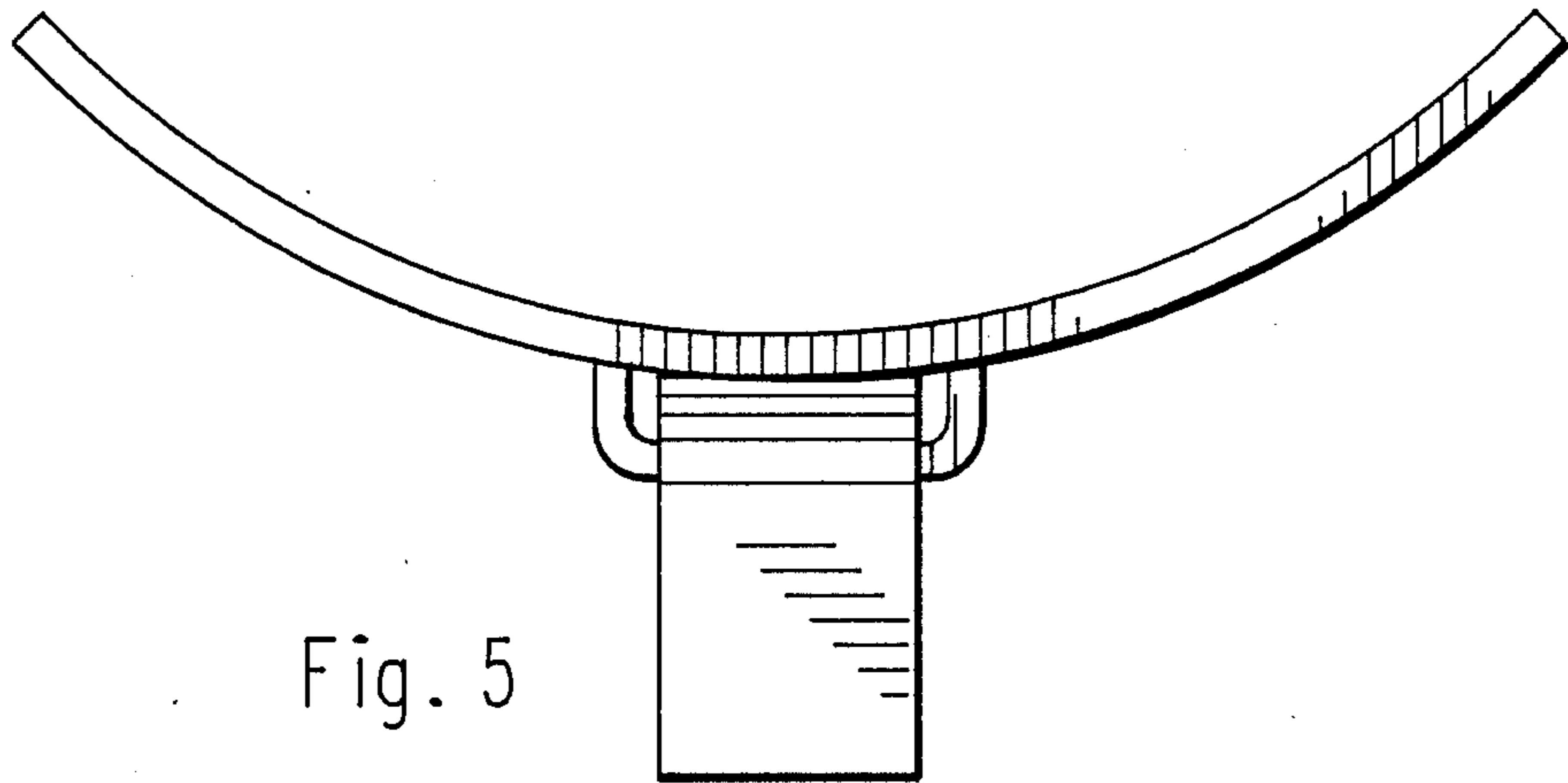
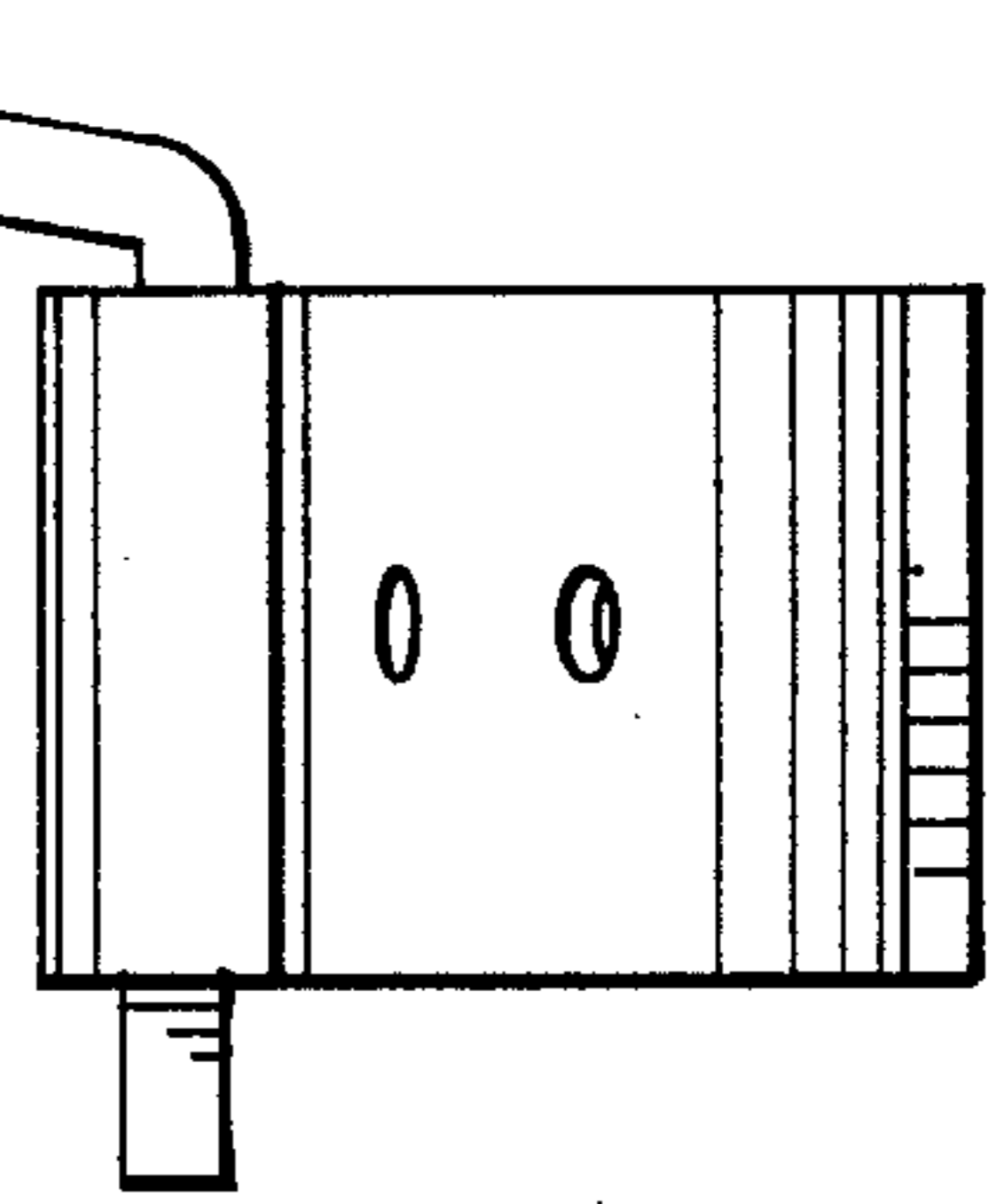


Fig. 5

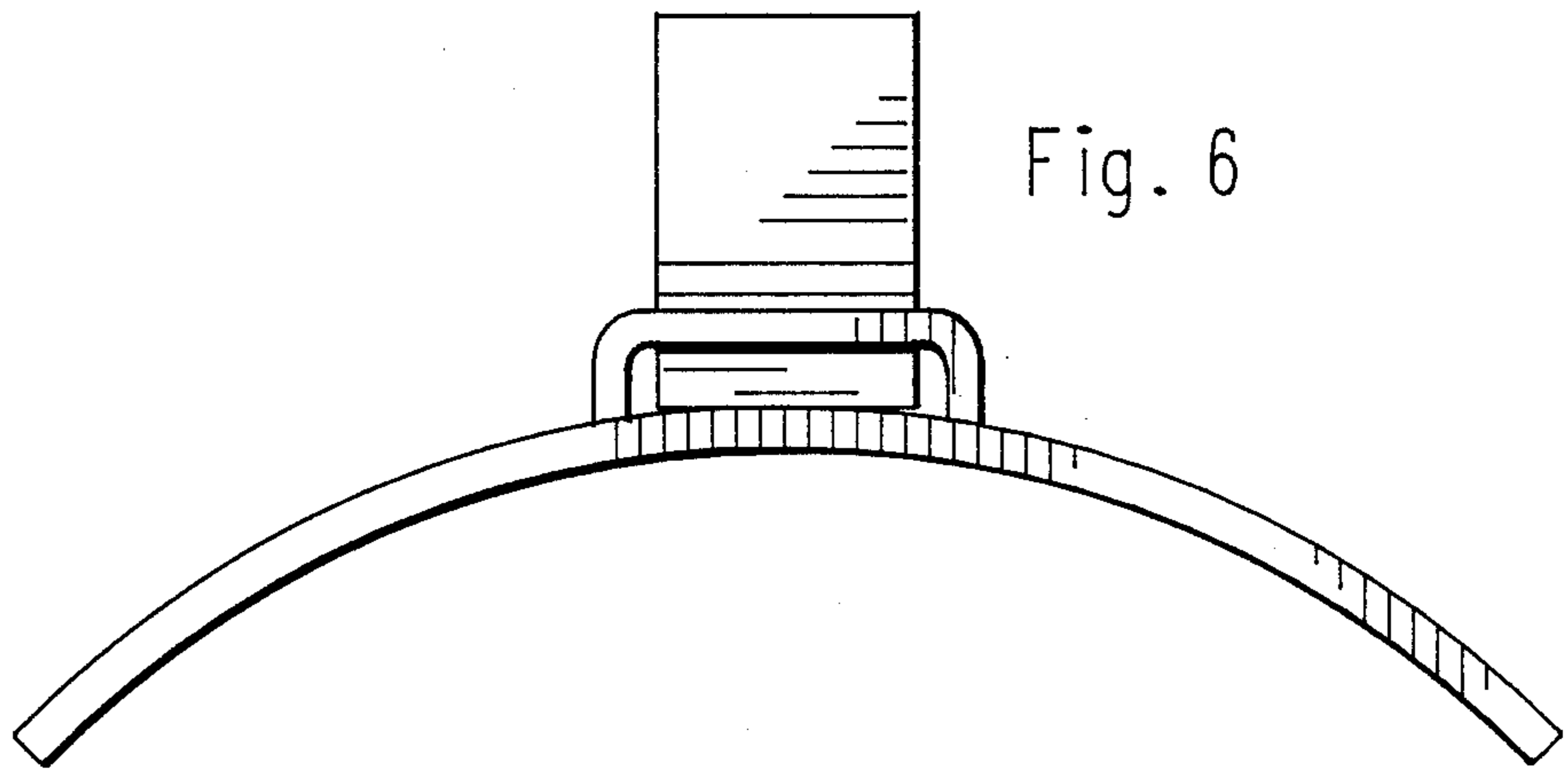


Fig. 6