

[54] ANALYSIS PLATE WITH MATCHING LID FOR BIOLOGICAL PURPOSES

[75] Inventor: Verner B. Andersen, Roskilde, Denmark

[73] Assignee: A/S Nunc, Roskilde, Denmark

[\*\*] Term: 14 Years

[21] Appl. No.: 889,916

[22] Filed: Jul. 28, 1986

[30] Foreign Application Priority Data

Apr. 11, 1986 [DE] Fed. Rep. of Germany ..... URA 476/86

[52] U.S. Cl. .... D24/31

[58] Field of Search ..... D24/31; 422/102, 99; 435/293, 296, 301; 436/515, 529, 809; 356/244; 206/562, 564, 569

[56] References Cited

U.S. PATENT DOCUMENTS

3,649,464 3/1972 Freeman ..... 422/99 X  
3,932,141 1/1976 Beau et al. .... 422/102  
4,246,339 1/1981 Cole et al. .... 422/102 X

Primary Examiner—Wallace R. Burke

Assistant Examiner—Stella M. Reid

Attorney, Agent, or Firm—Watson, Cole, Grindle & Watson

[57] CLAIM

The ornamental design for an analysis plate with matching lid for biological purposes, as shown and described.

DESCRIPTION

FIG. 1 is an exploded perspective top view of an analysis plate with matching lid for biological purposes, showing my new design,

FIG. 2 is a perspective top view of the analysis plate portion thereof,

FIG. 3 is a top plan view of the analysis plate portion,

FIG. 4 is a bottom plan view of the analysis plate portion,

FIG. 5 is an elevational view of one side of the analysis plate portion,

FIG. 6 is an elevational view of the opposite side of the analysis plate portion,

FIG. 7 is an elevational view of one end of the analysis plate portion,

FIG. 8 is an elevational view of the opposite end of the analysis plate portion,

FIG. 9 is an enlarged sectional view of the analysis plate portion as seen along line 8—8 in FIG. 3,

FIG. 10 is a perspective top view of the matching lid portion thereof,

FIG. 11 is an elevational view of one of the matching lid portion,

FIG. 12 is an elevational view of the opposite end of the matching lid portion,

FIG. 13 is an elevational view of one side of the matching lid portion,

FIG. 14 is an elevational view of the opposite side of the matching lid portion,

FIG. 15 is a top plan view of the matching lid portion,

FIG. 16 is a bottom plan view of the matching lid portion.

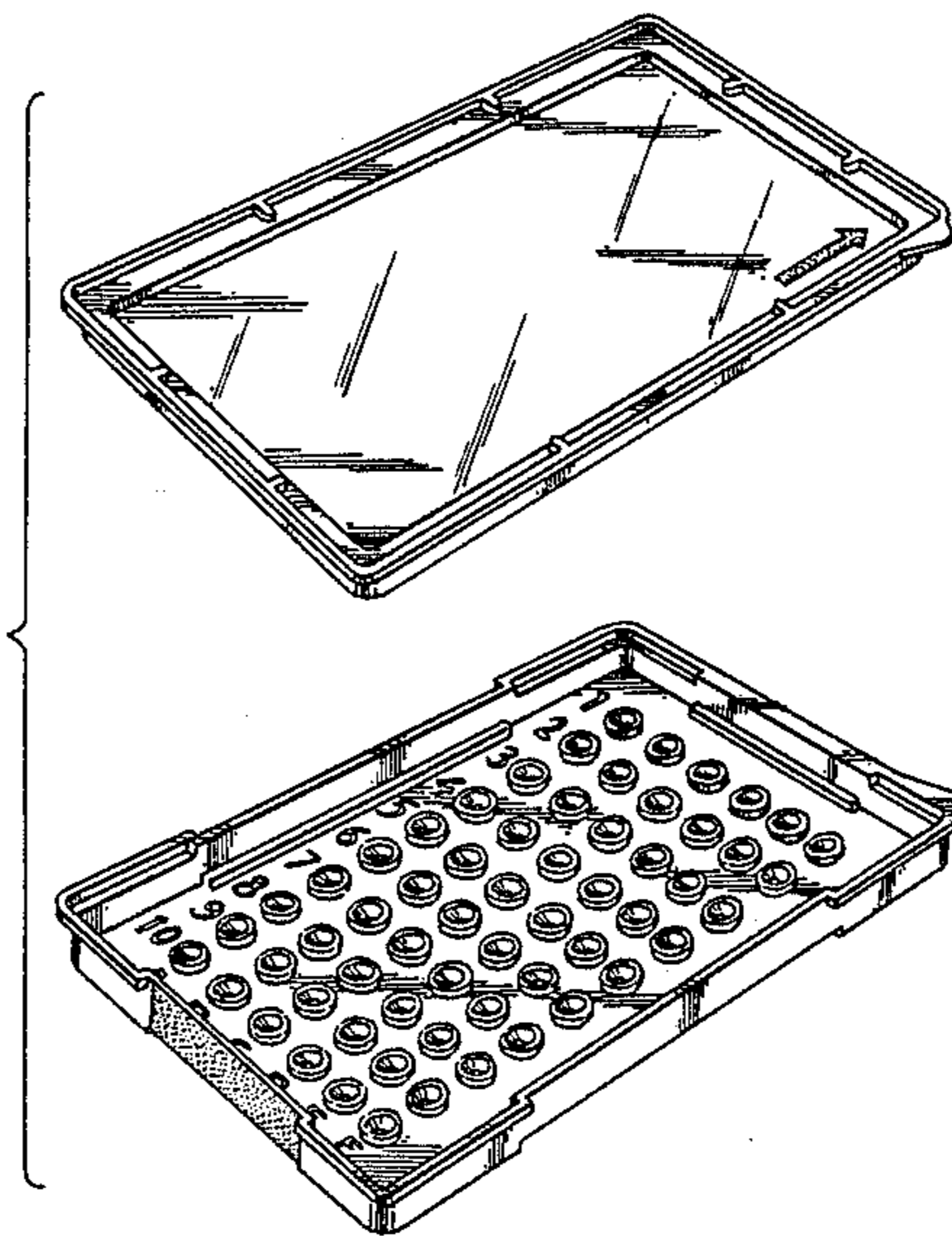
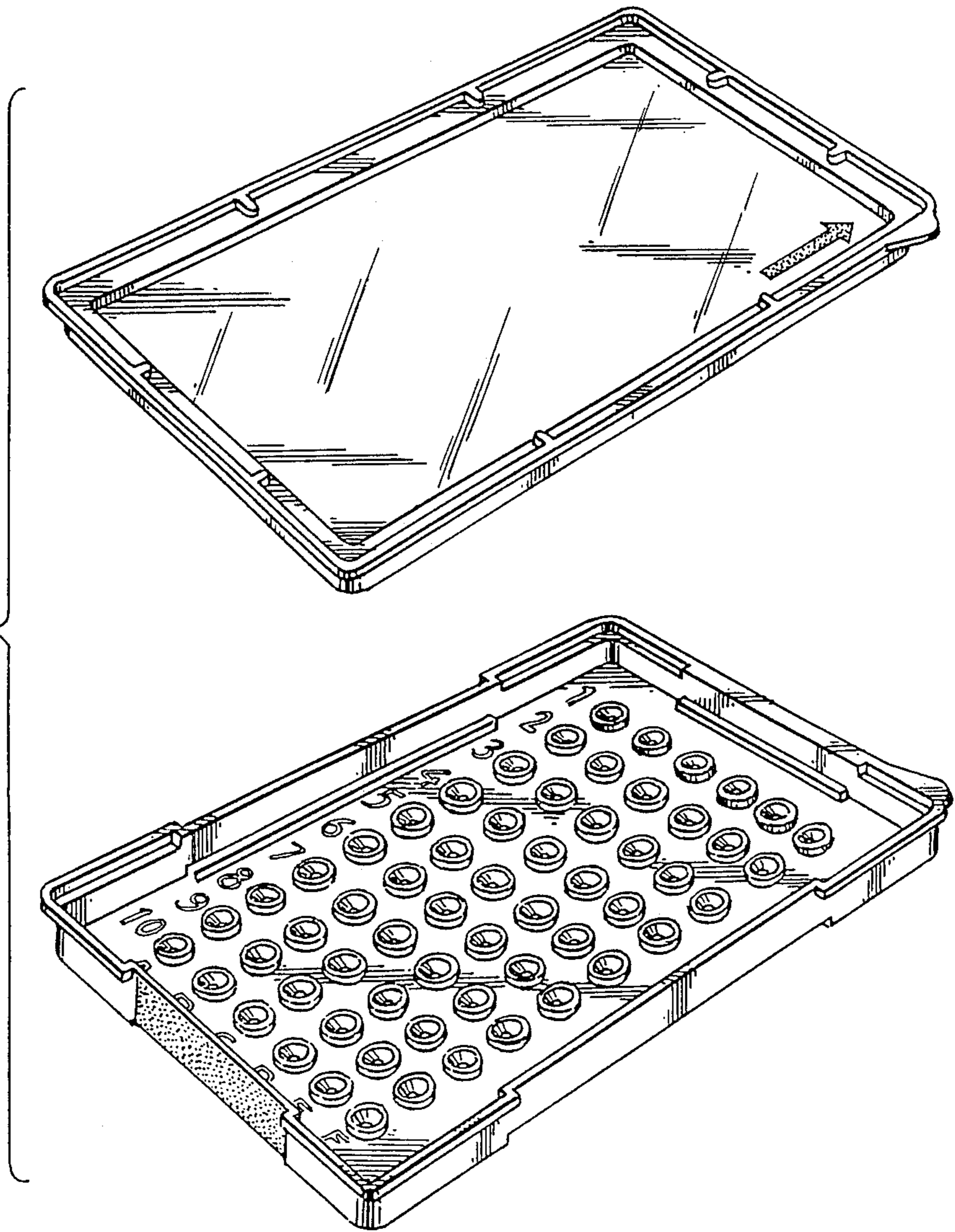


FIG. 1



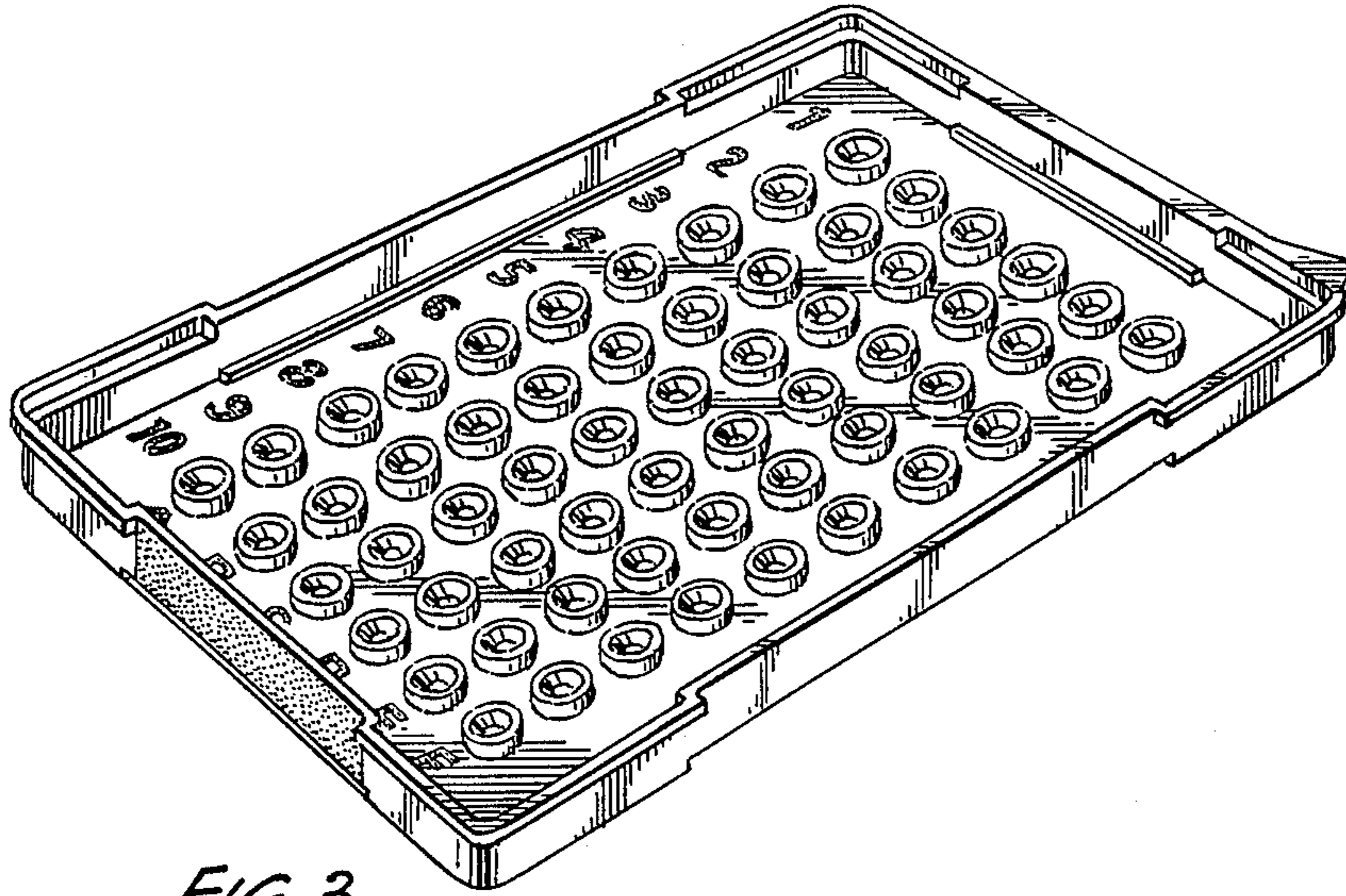
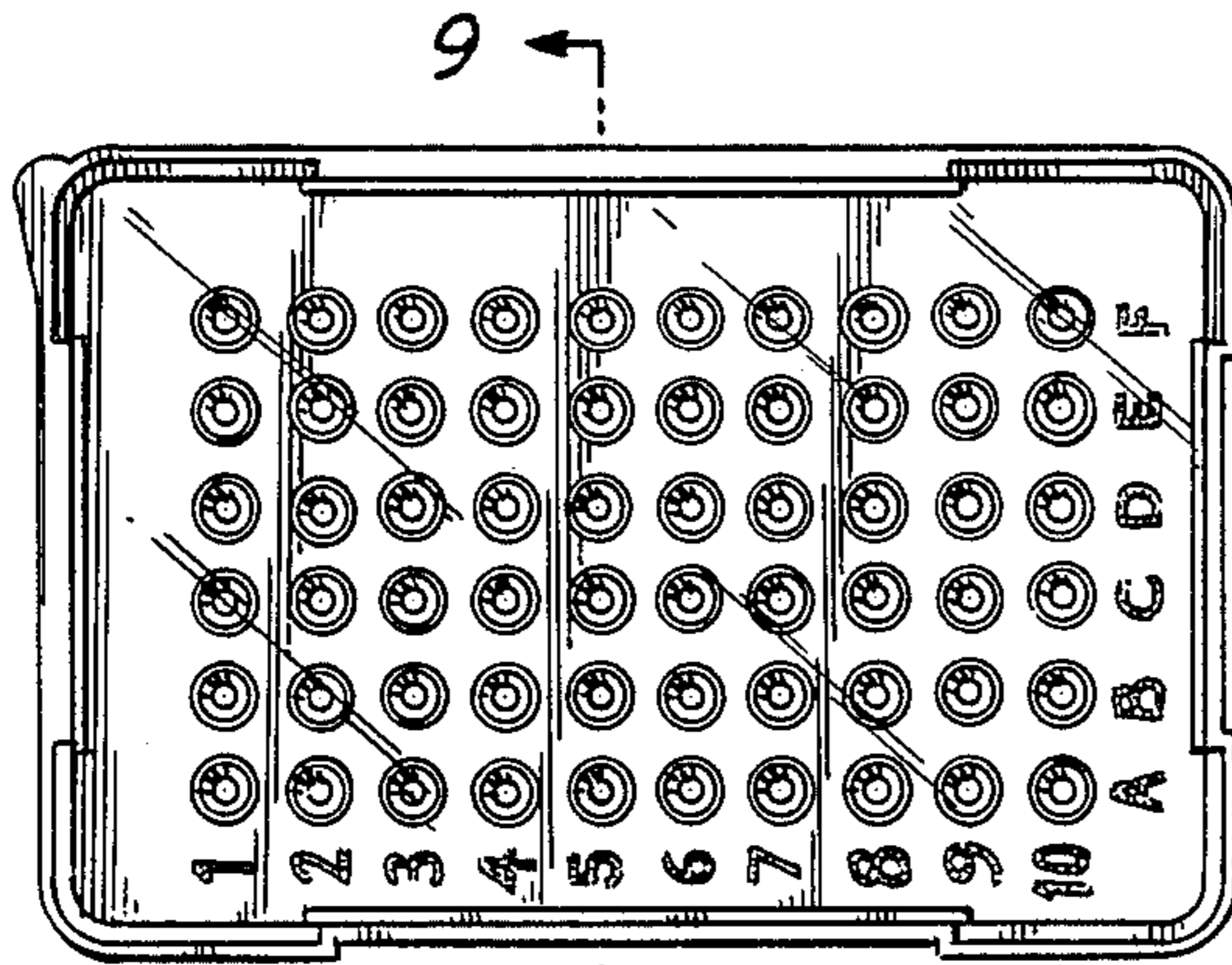


FIG. 2

FIG. 3



9 ←

9 ←

FIG. 5

FIG. 4

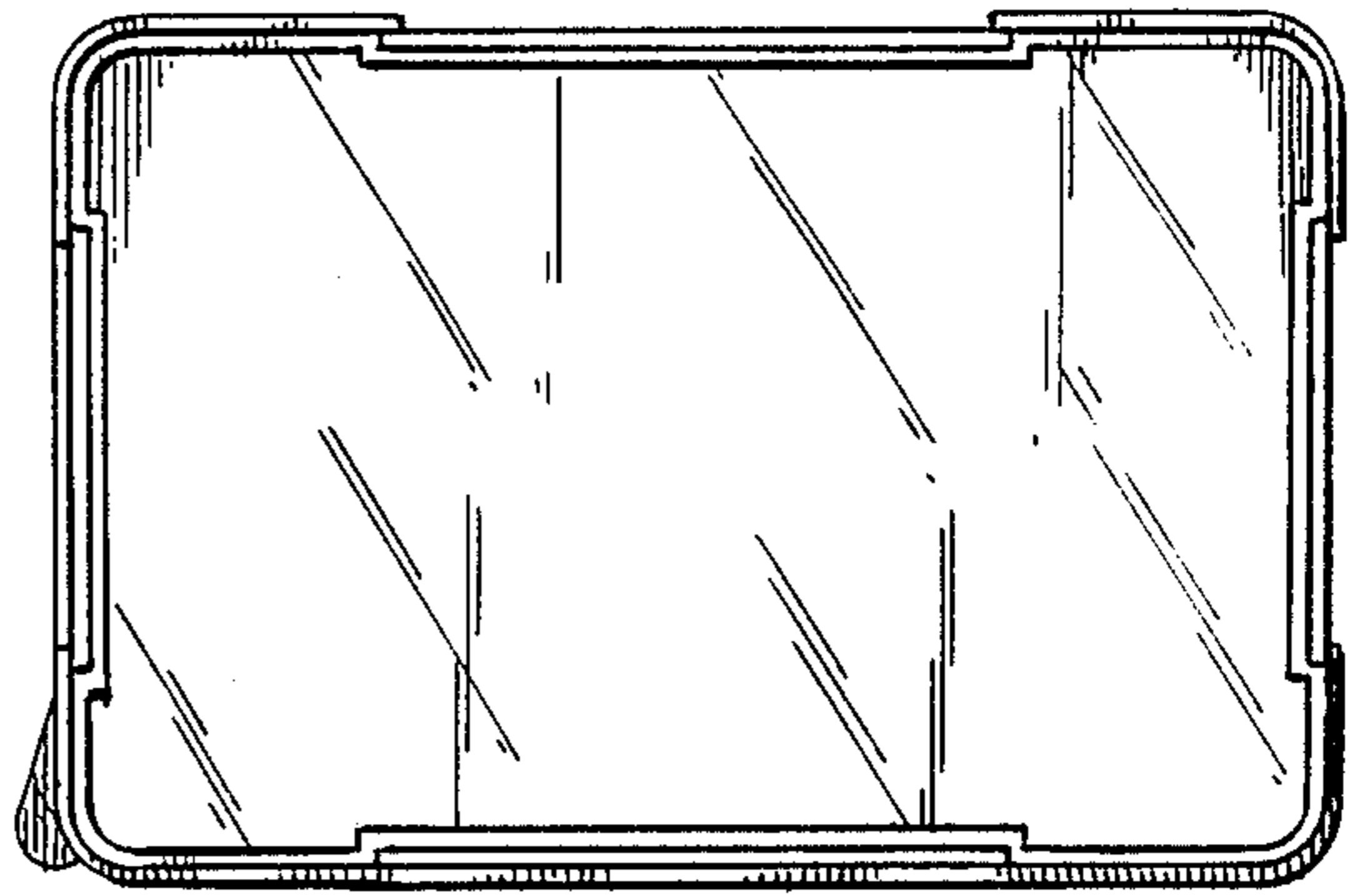


FIG. 6



FIG. 7

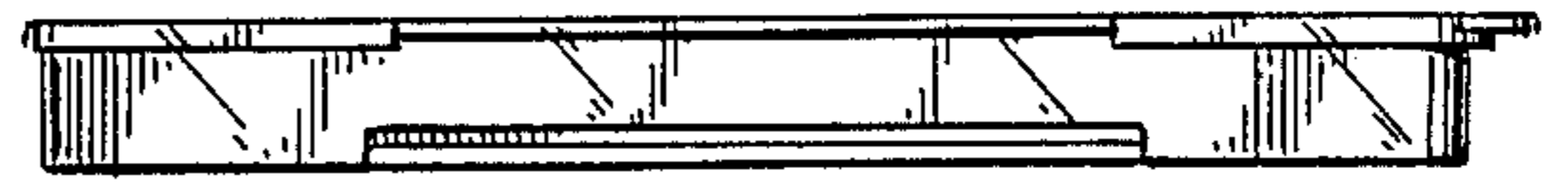


FIG. 8



FIG. 9

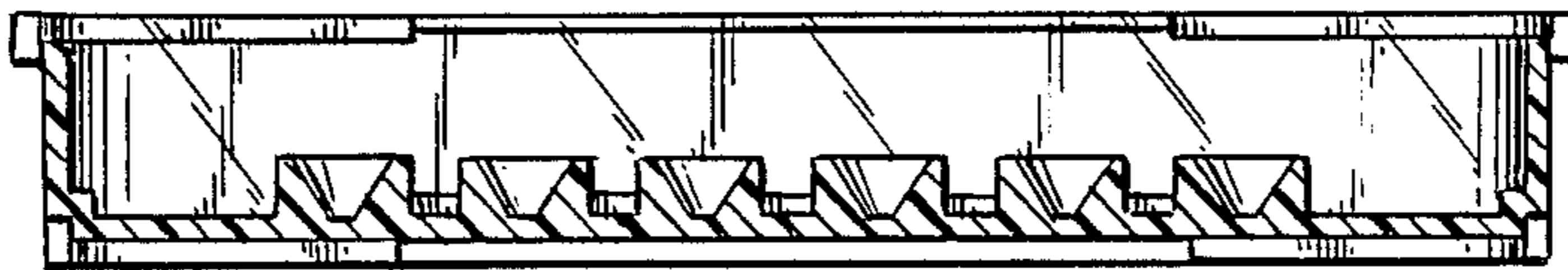


FIG. 10

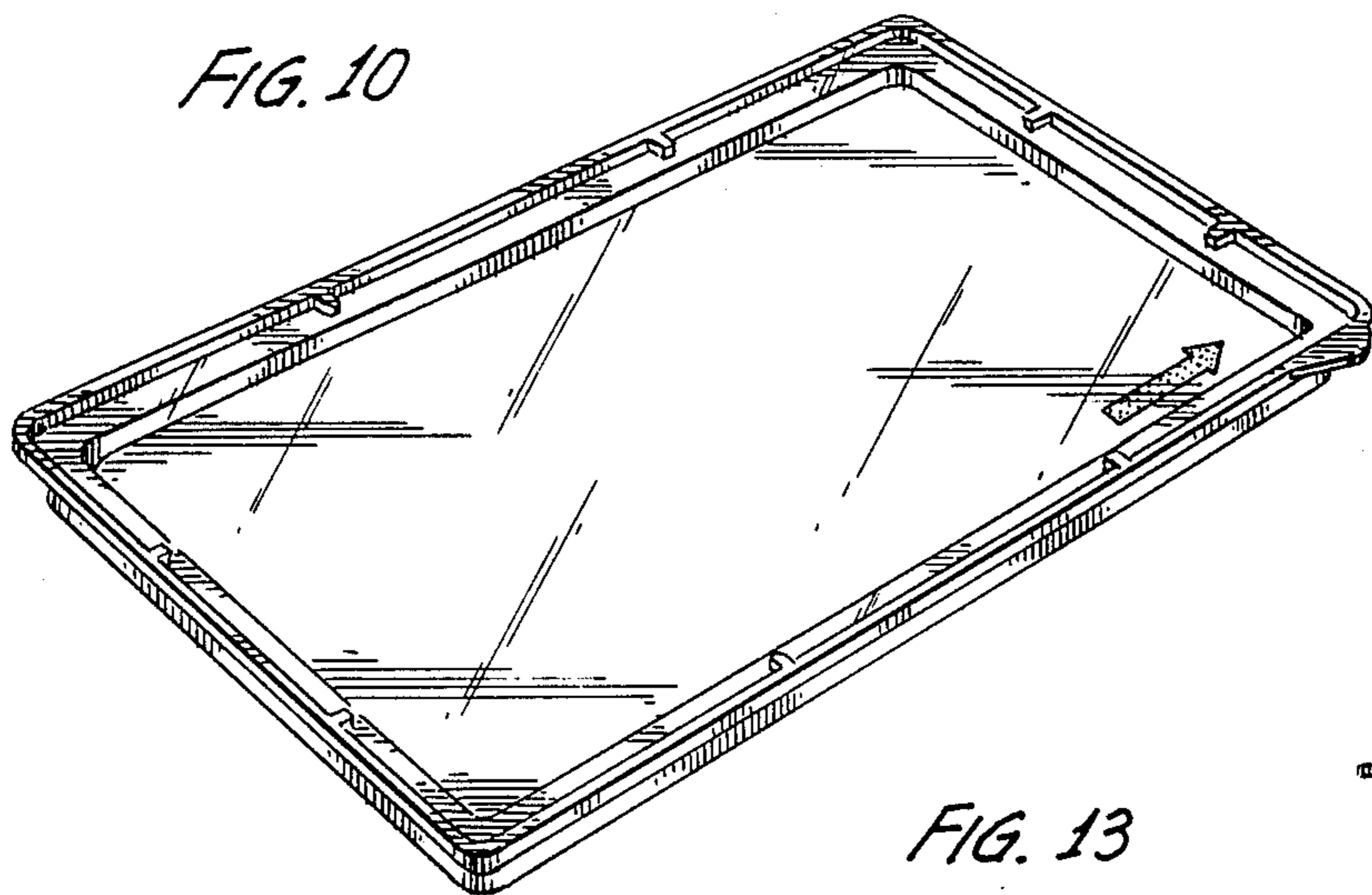


FIG. 11

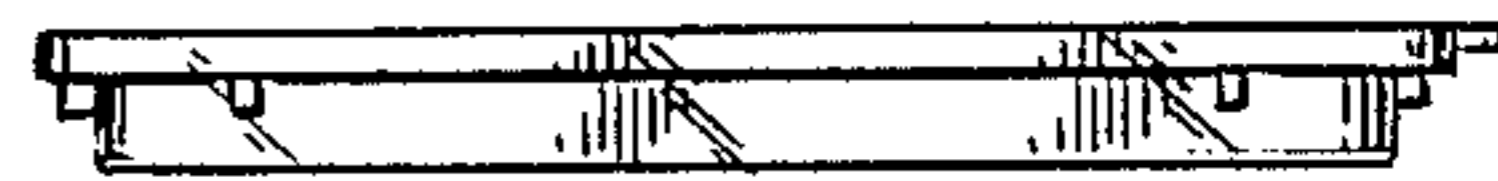


FIG. 12

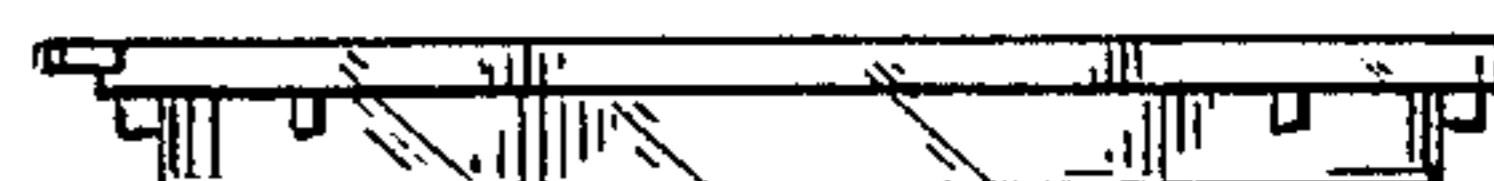


FIG. 13



FIG. 14

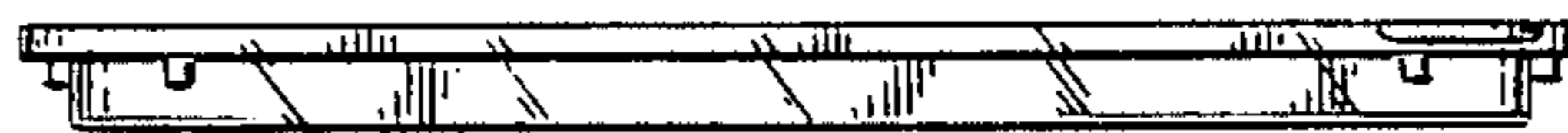


FIG. 15

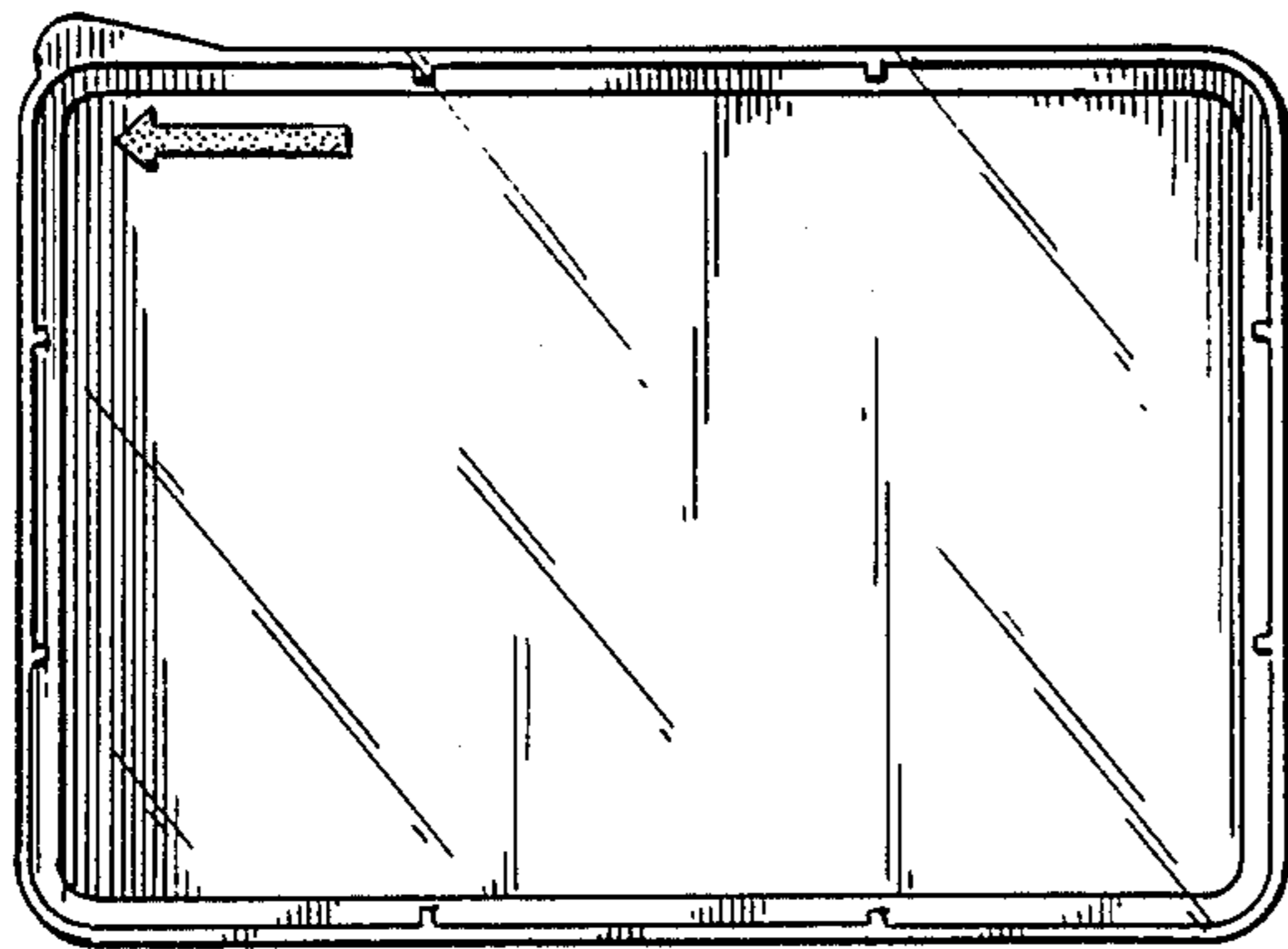


FIG. 16

