

[54] SPRINKLER HEAD

[76] Inventor: Allan L. Smith, P.O. Box 428, Exeter, Calif. 93221

[**] Term: 14 Years

[21] Appl. No.: 83,143

[22] Filed: Aug. 10, 1987

[52] U.S. Cl. D23/214

[58] Field of Search D23/213, 214; 239/498, 239/523, 524

[56] References Cited

U.S. PATENT DOCUMENTS

D. 259,438	6/1981	Meyer	D23/214
D. 260,169	8/1981	Vikre	D23/214
D. 269,034	5/1983	Wood	D23/214
D. 271,791	12/1983	Healy	D23/214
2,025,063	12/1935	Loepsinger	239/498
2,697,008	12/1954	Rowley	239/498
3,599,723	8/1971	Vorkapich	D23/214

OTHER PUBLICATIONS

Hardie Irrigation catalogue, Oct. 1985, pp. 2-4, Spray-11, bottom left side of page.

Primary Examiner—James M. Gandy
Assistant Examiner—Lisa Lichtenstein
Attorney, Agent, or Firm—Worrel & Worrel

[57] CLAIM

The ornamental design for a sprinkler head, as shown.

DESCRIPTION

FIG. 1 is a perspective view of the sprinkler head showing my new design.

FIG. 2 is a front elevational view thereof.

FIG. 3 is a side elevational view thereof.

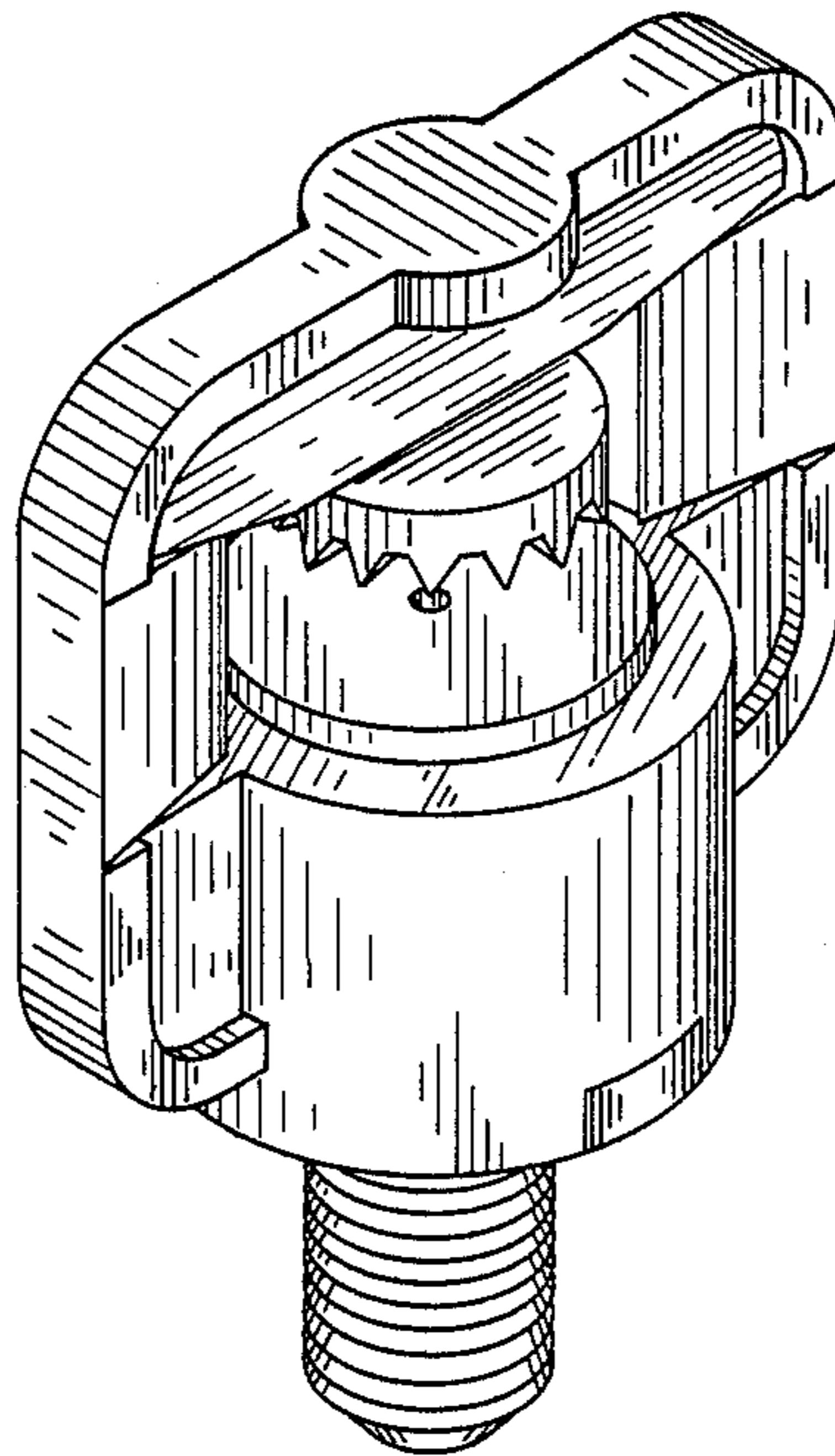
FIG. 4 is a rear elevational view thereof.

FIG. 5 is a side elevational view thereof, showing the side opposite to that shown in FIG. 3.

FIG. 6 is a top plan view thereof.

FIG. 7 is a bottom plan view thereof.

FIG. 8 is a transverse sectional view taken on line 8—8 of FIG. 4.



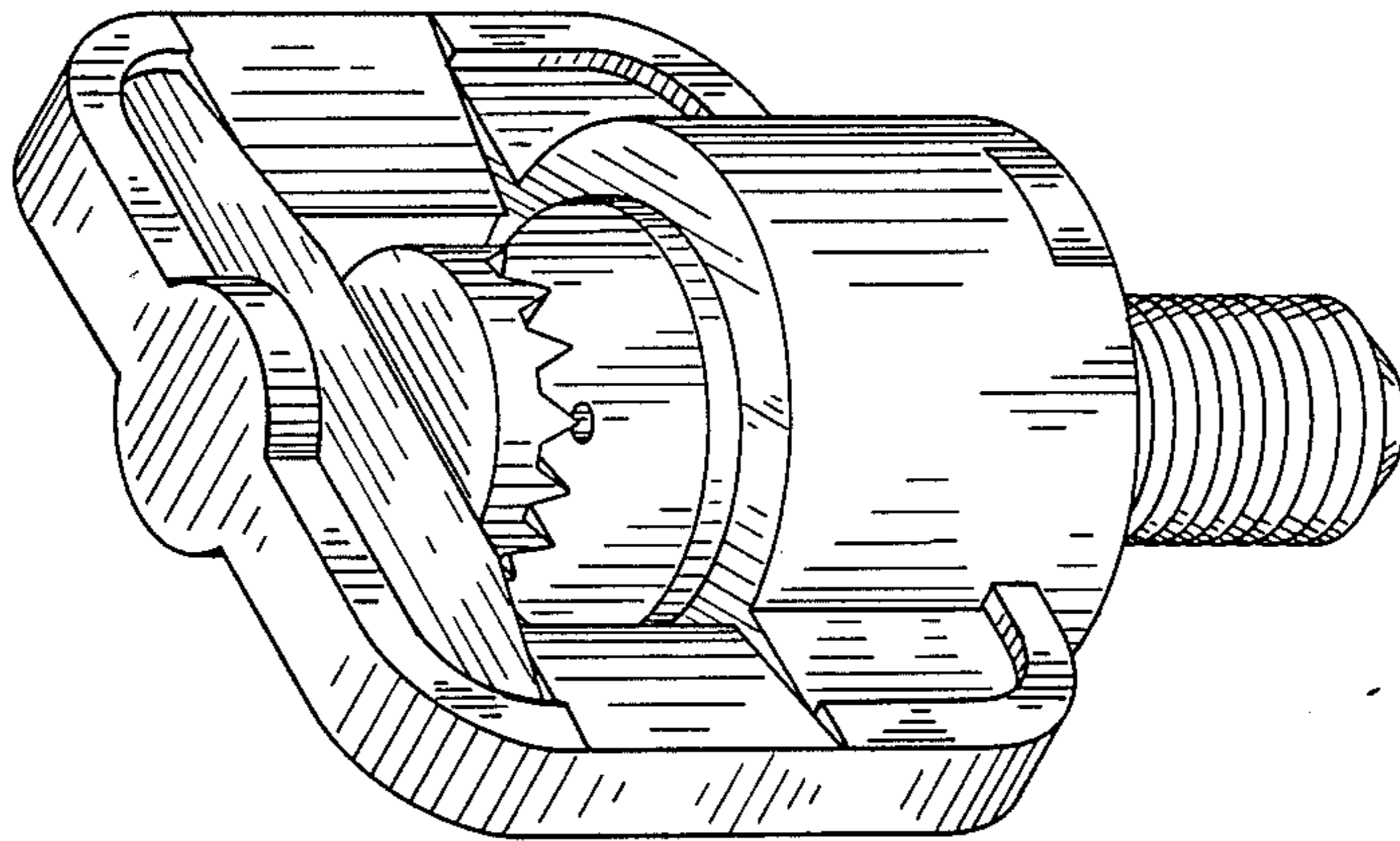


FIG. 1

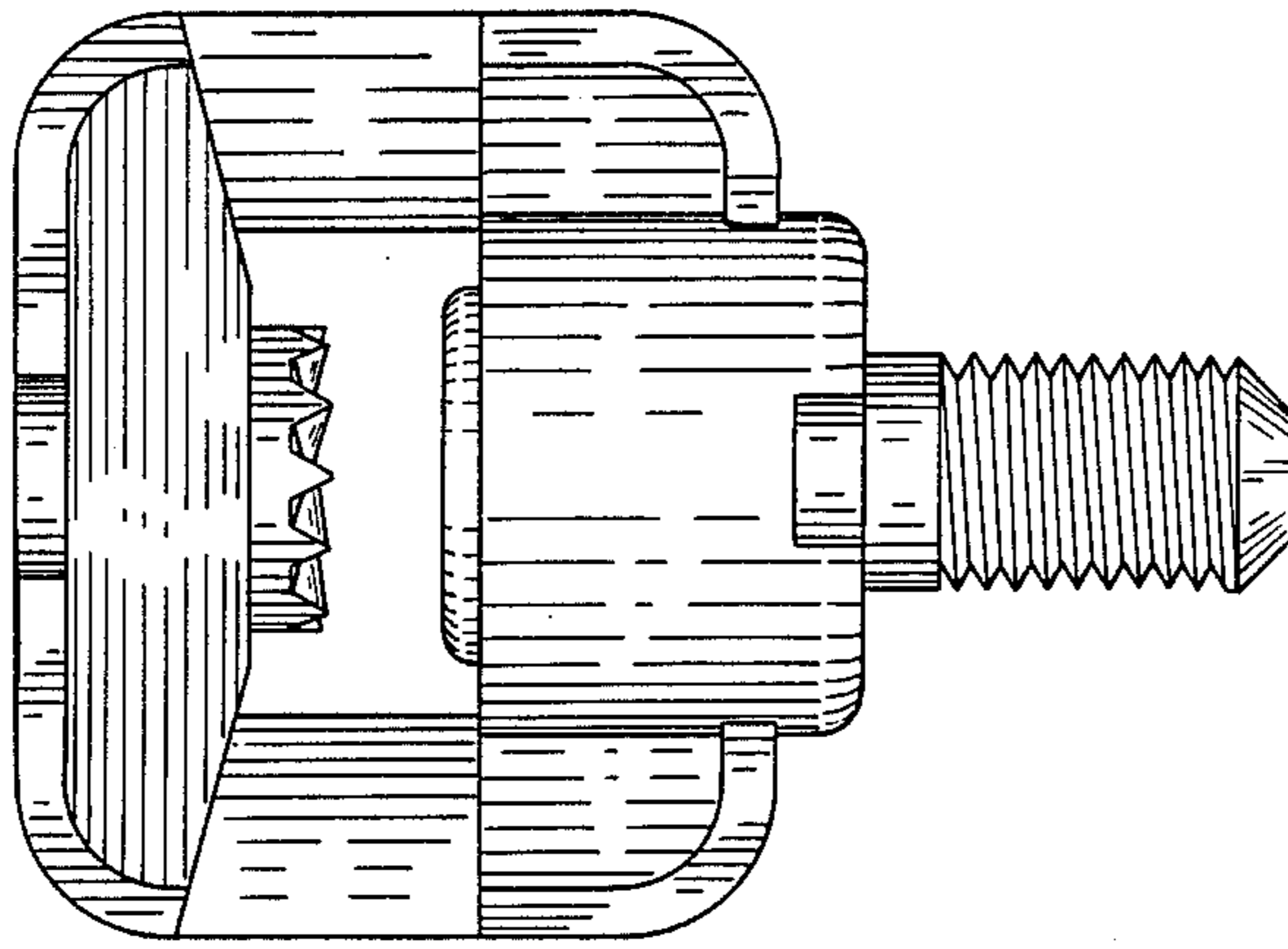


FIG. 2

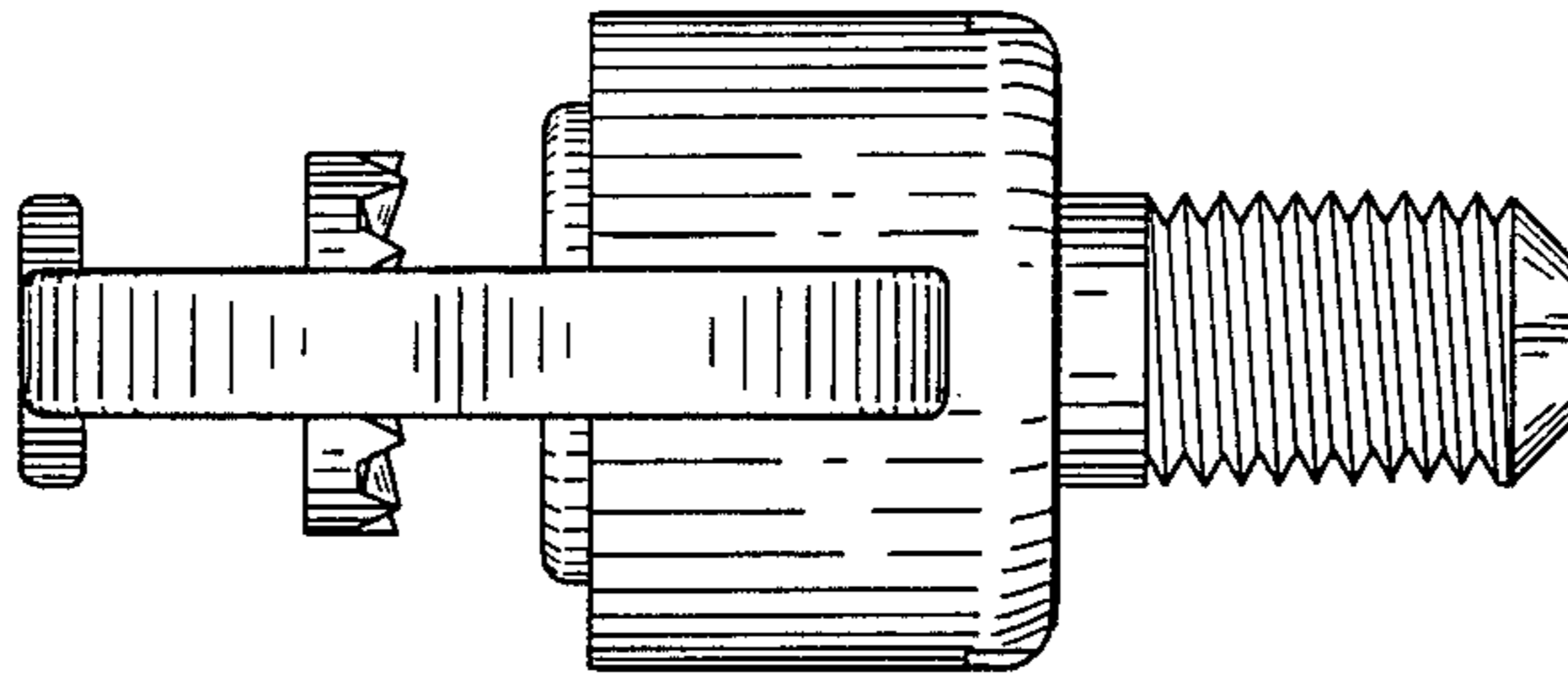


FIG. 3

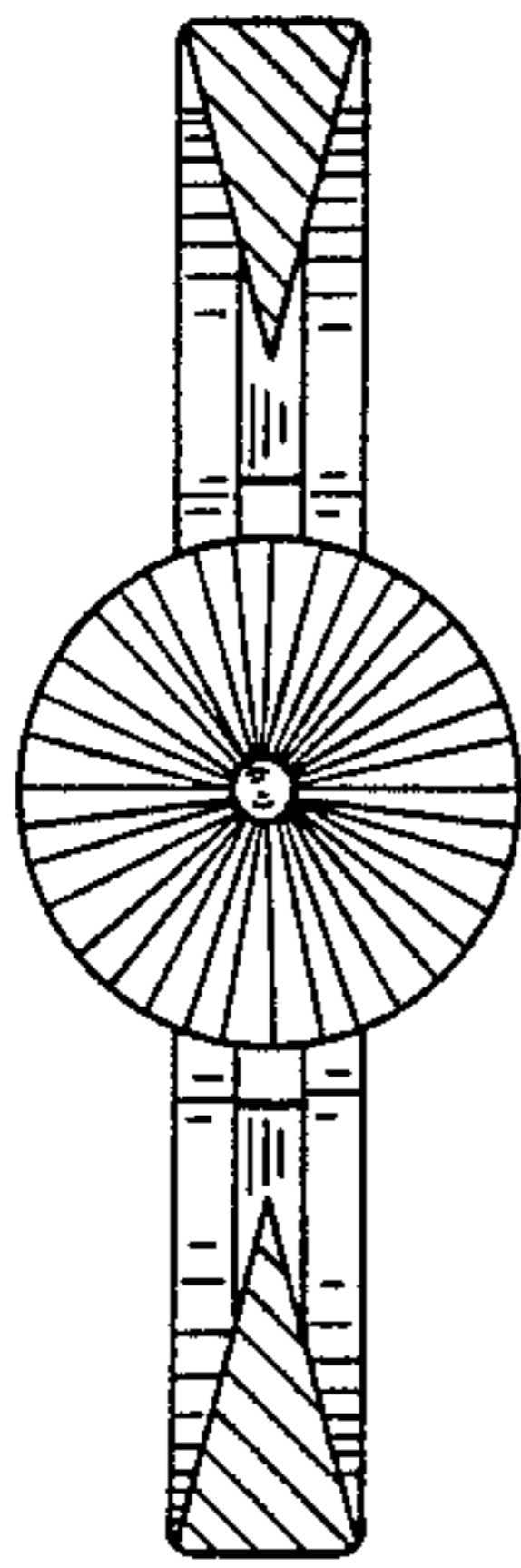


FIG. 8

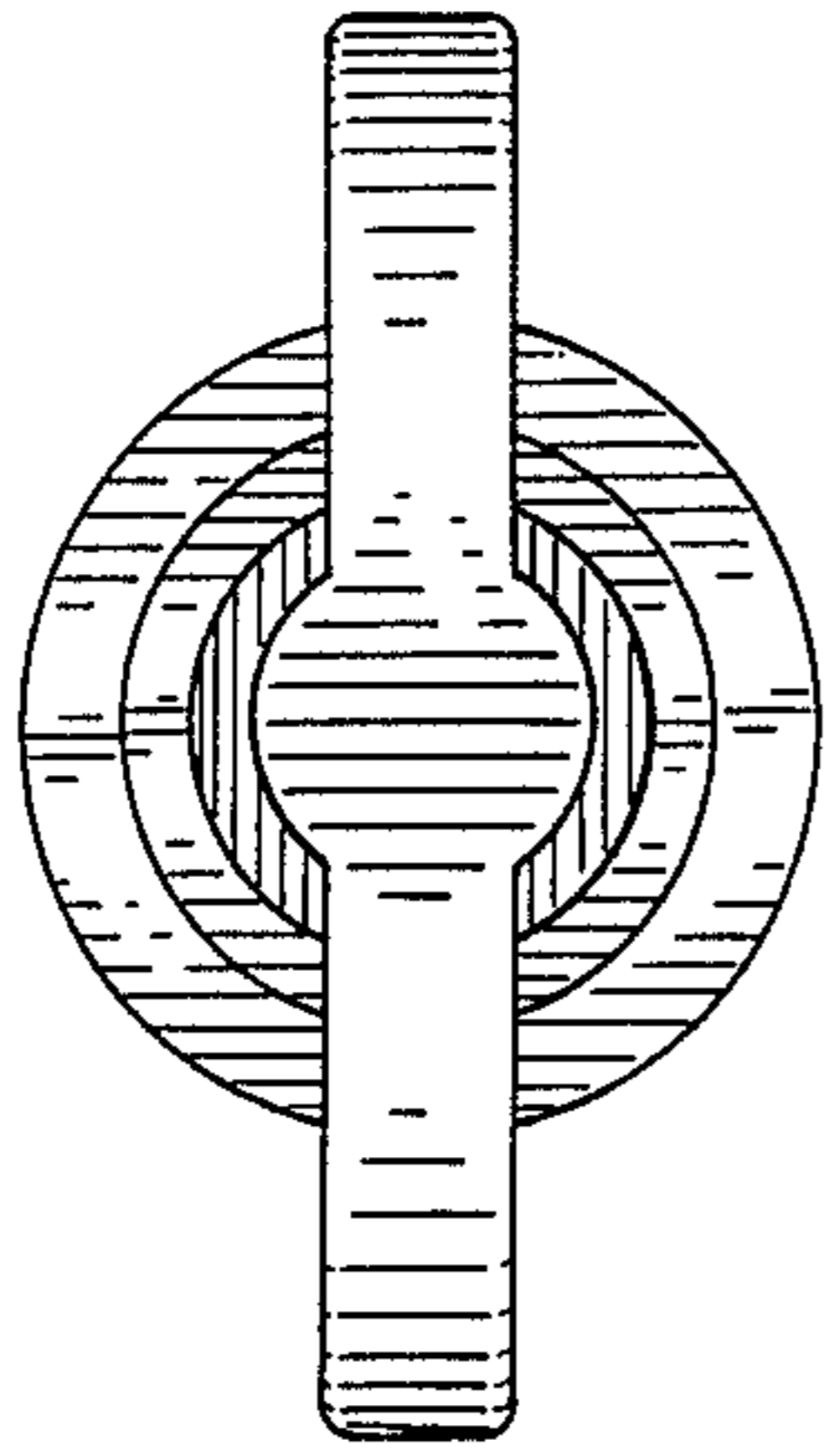


FIG. 6

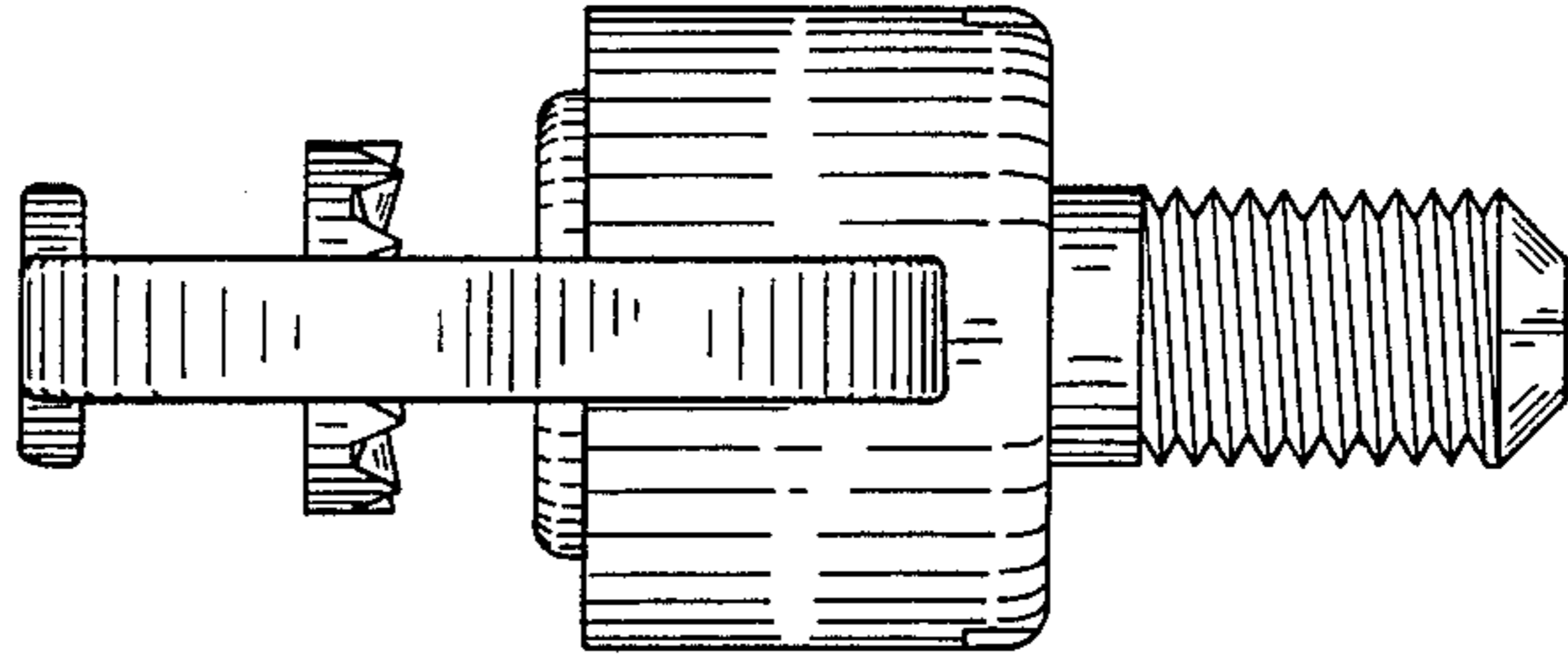


FIG. 5

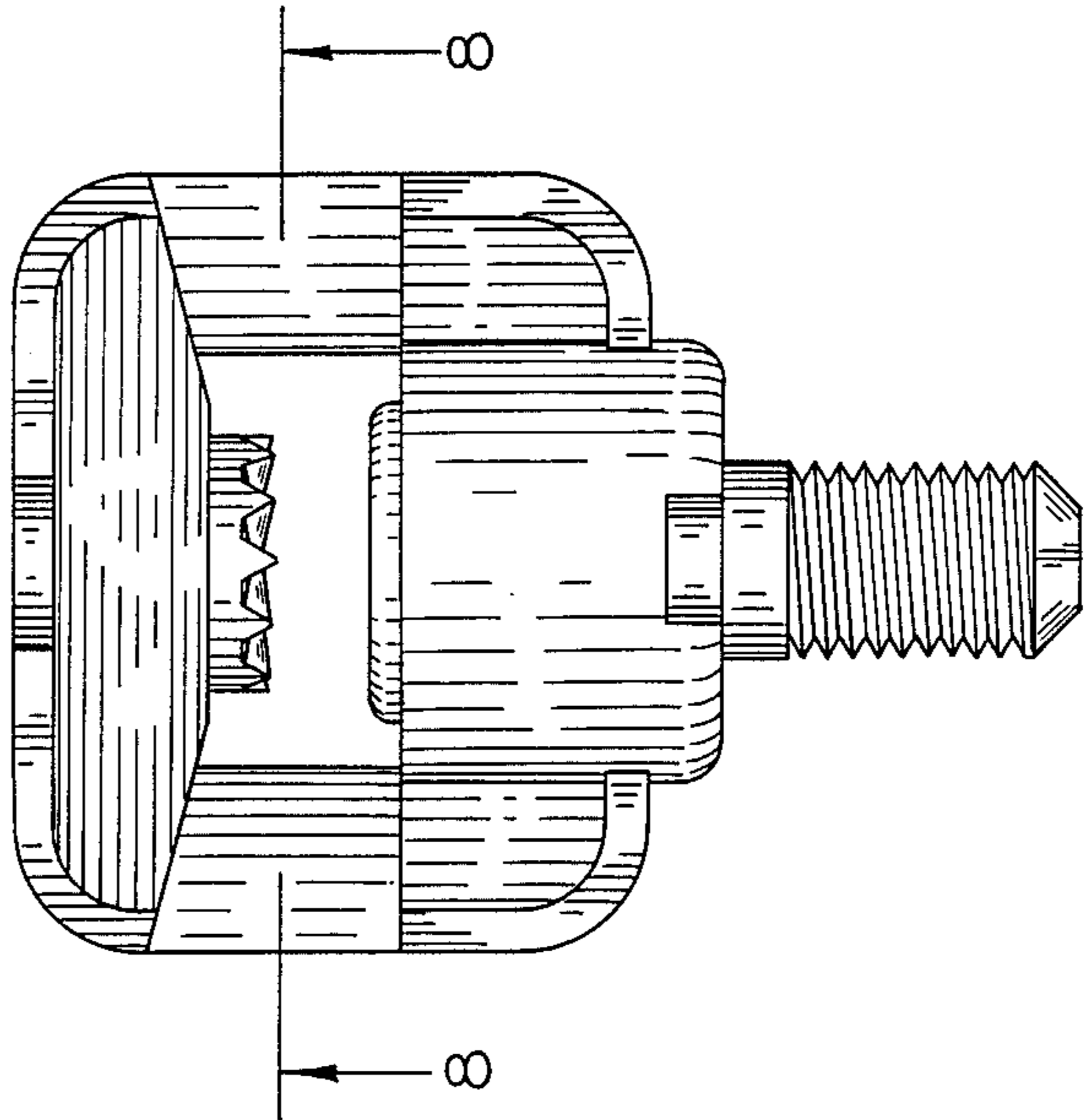


FIG. 4

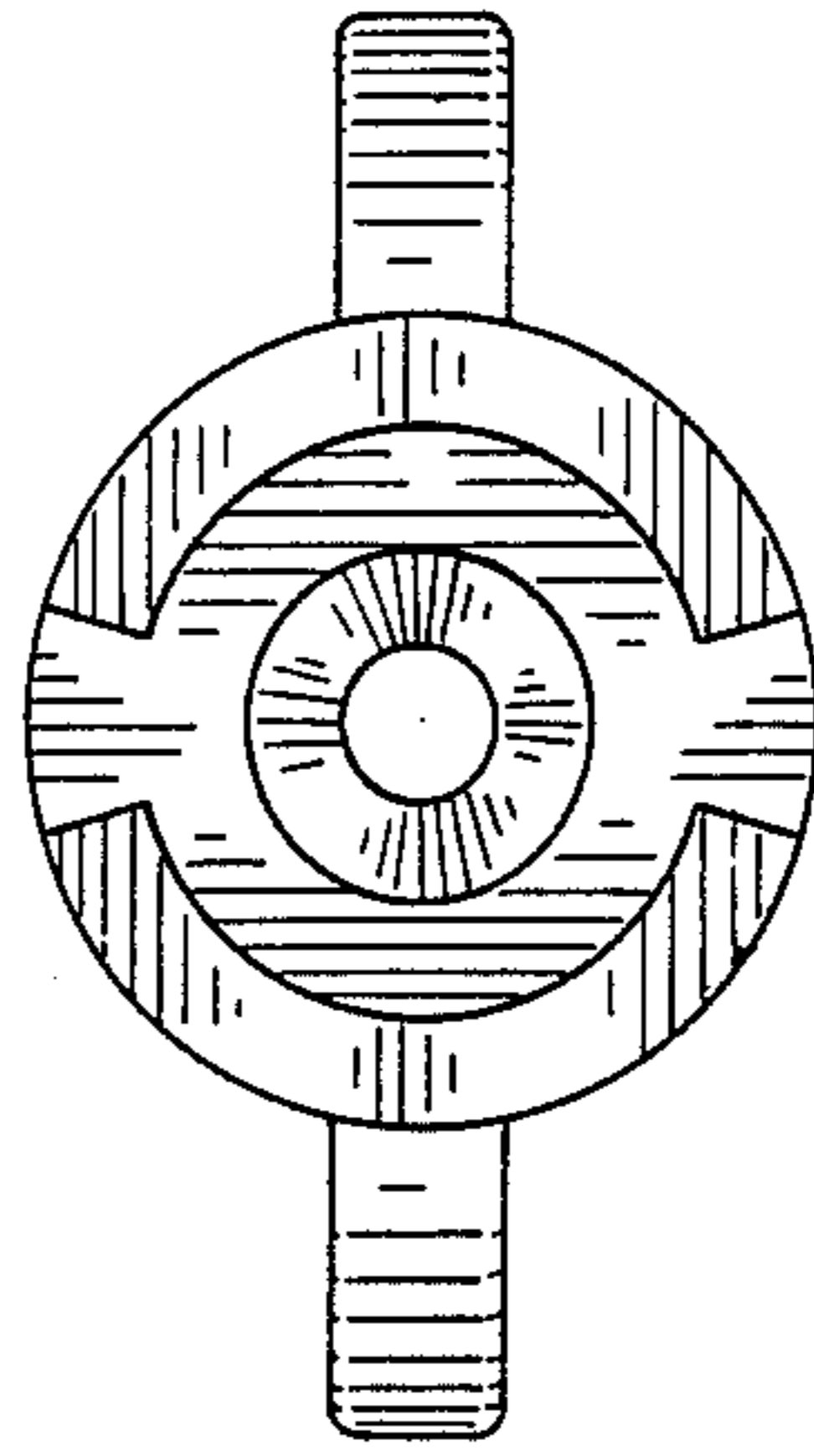


FIG. 7