

[54] COLLAPSIBLE CASTABLE CRAB TRAP

Attorney, Agent, or Firm—Ward Brown; Robert W. Beach

[76] Inventor: Henry J. Simonson, 8515 29th NW., Seattle, Wash. 98117

[57] CLAIM

[**] Term: 14 Years

The ornamental design for a collapsible castable crab trap, as shown and described.

[21] Appl. No.: 323,631

DESCRIPTION

[22] Filed: Mar. 14, 1989

[52] U.S. Cl. D22/121

FIG. 1 is a top perspective view of a collapsible castable crab trap showing my new design in solid lines, a fishing line and swivel being shown in broken lines to indicate environmental attachments not constituting part of my new design;

[58] Field of Search 43/100, 102, 103, 104, 43/105; D22/121

FIG. 2 is a side elevational view thereof;

[56] References Cited

U.S. PATENT DOCUMENTS

3,427,742	2/1969	Brown	43/105 X
4,050,182	9/1977	Basile	43/105
4,594,804	6/1986	Misko	43/105
4,765,088	8/1988	Stuart	43/100 X

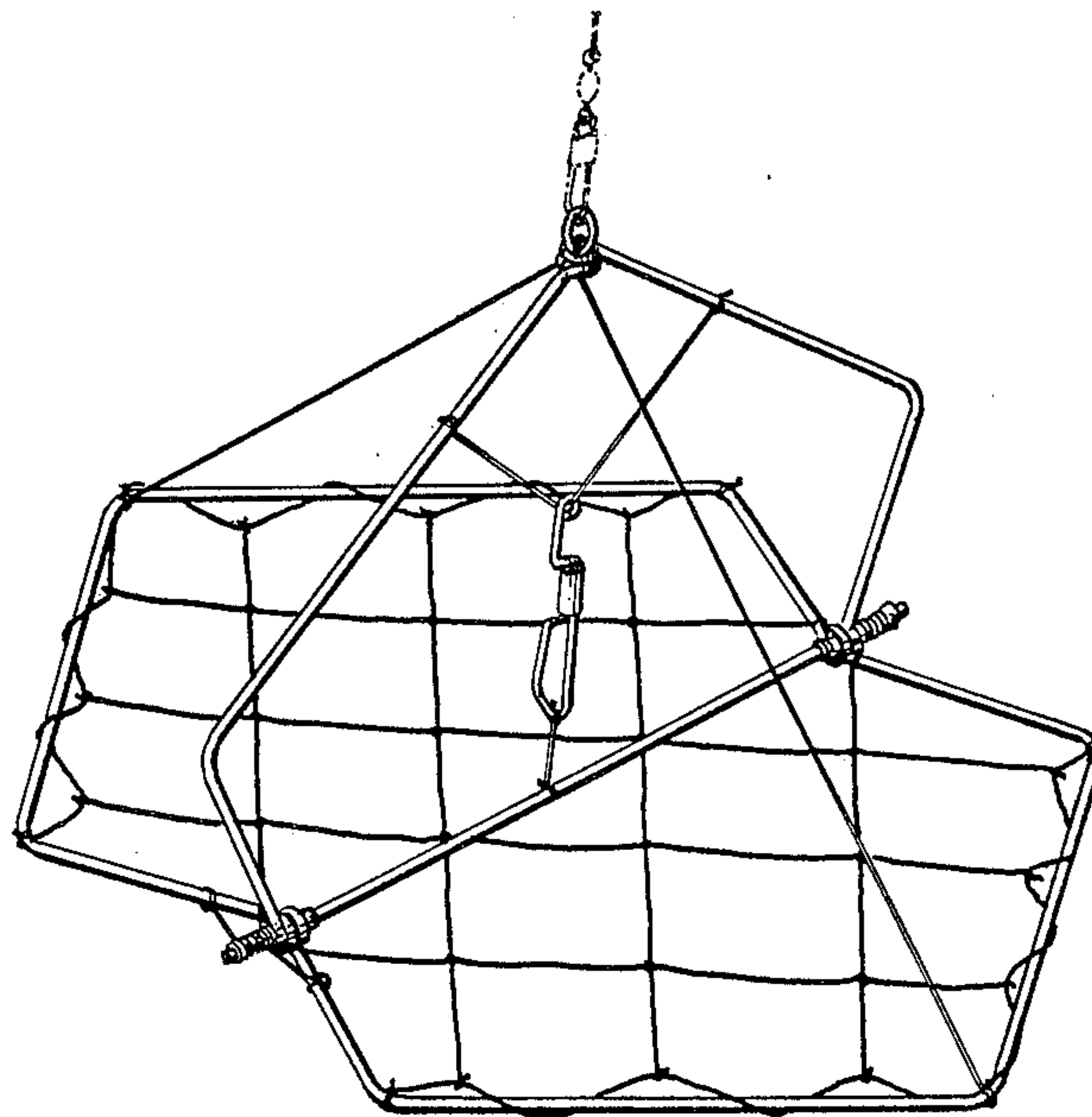
FIG. 3 is a top plan view thereof;

FIG. 4 is an end elevational view thereof taken from the left of FIG. 2;

FIG. 5 is a bottom plan view thereof;

FIG. 6 is a top perspective view thereof showing my new design in partially collapsed condition.

Primary Examiner—A. Hugo Word



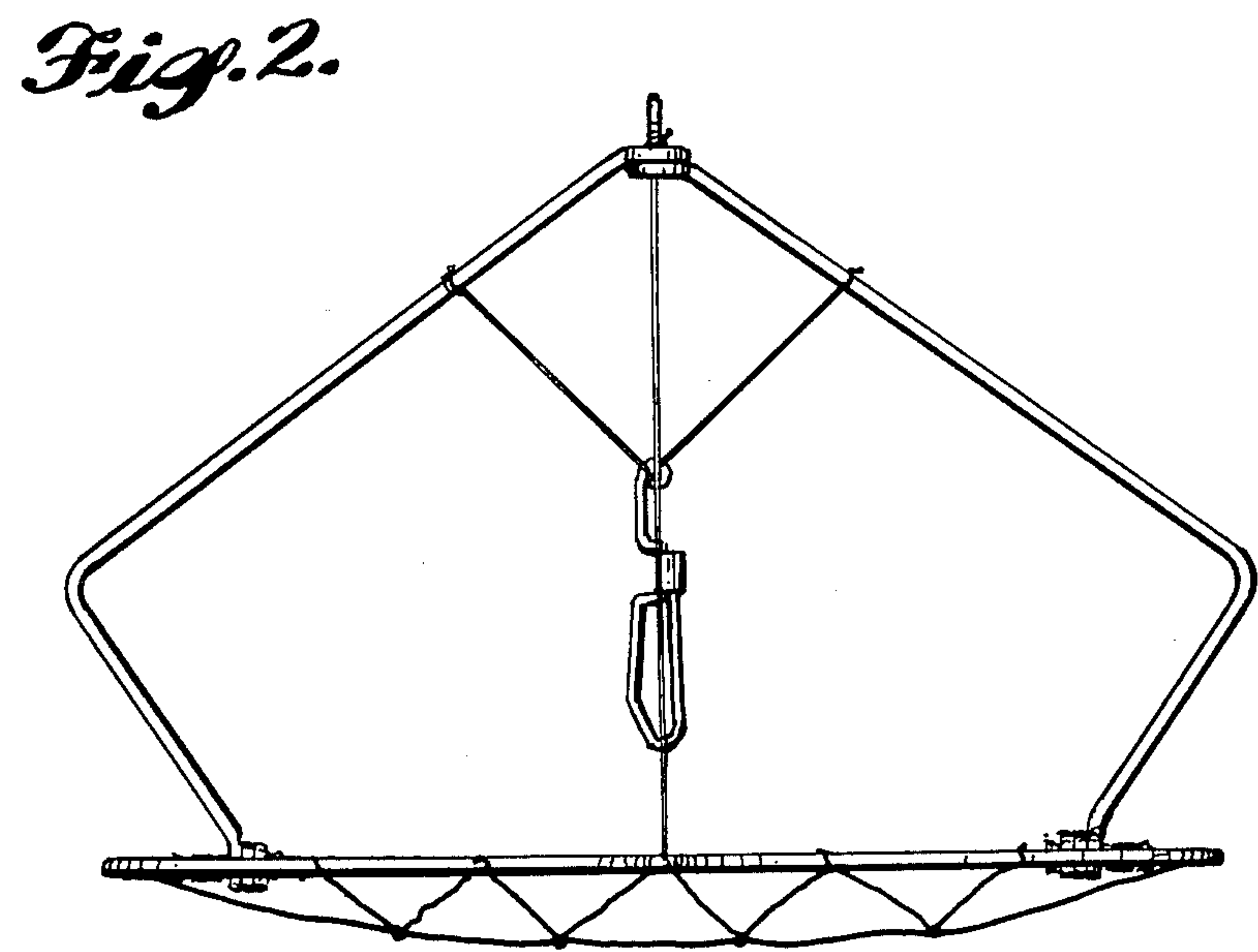
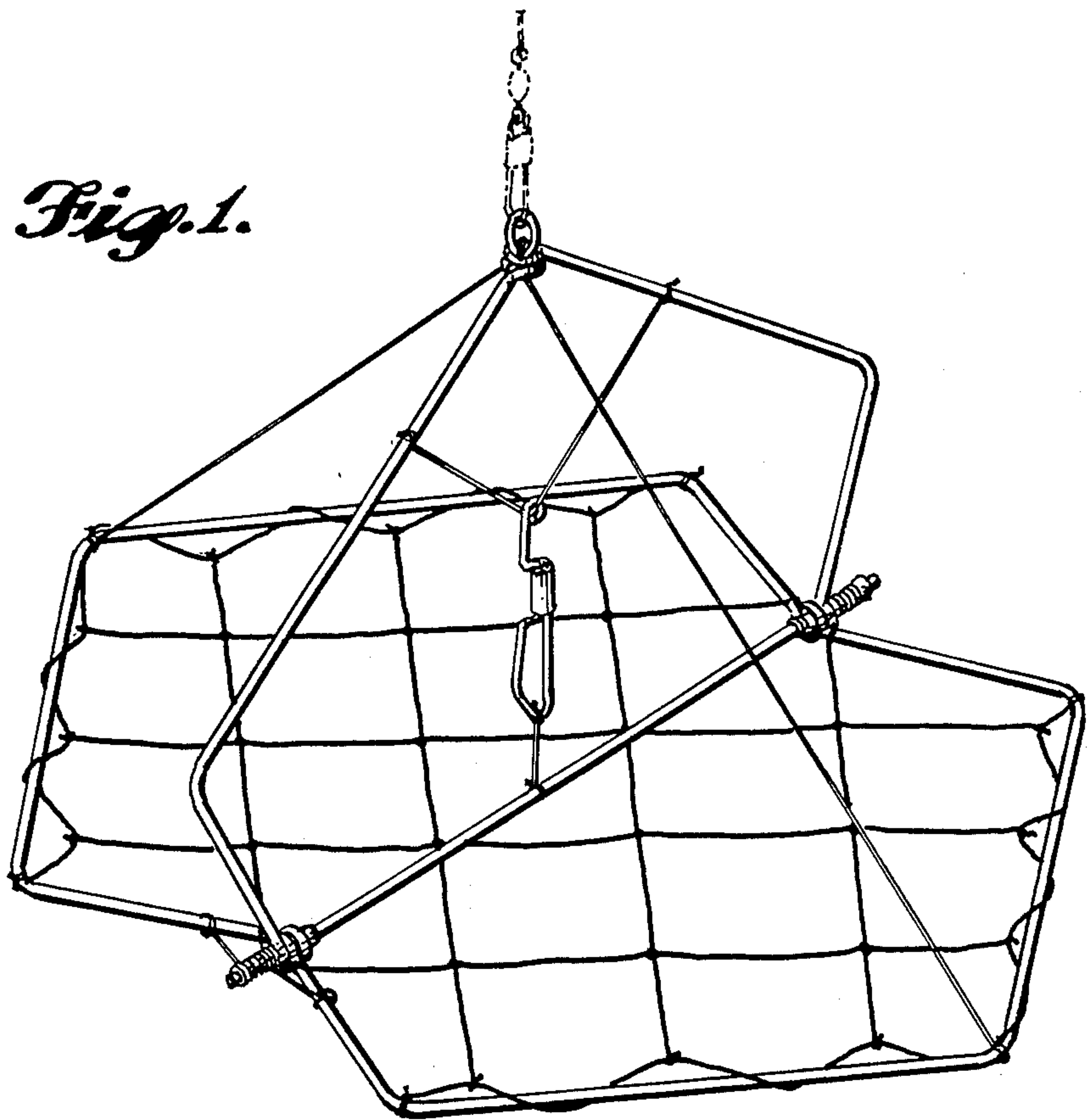


Fig. 3.

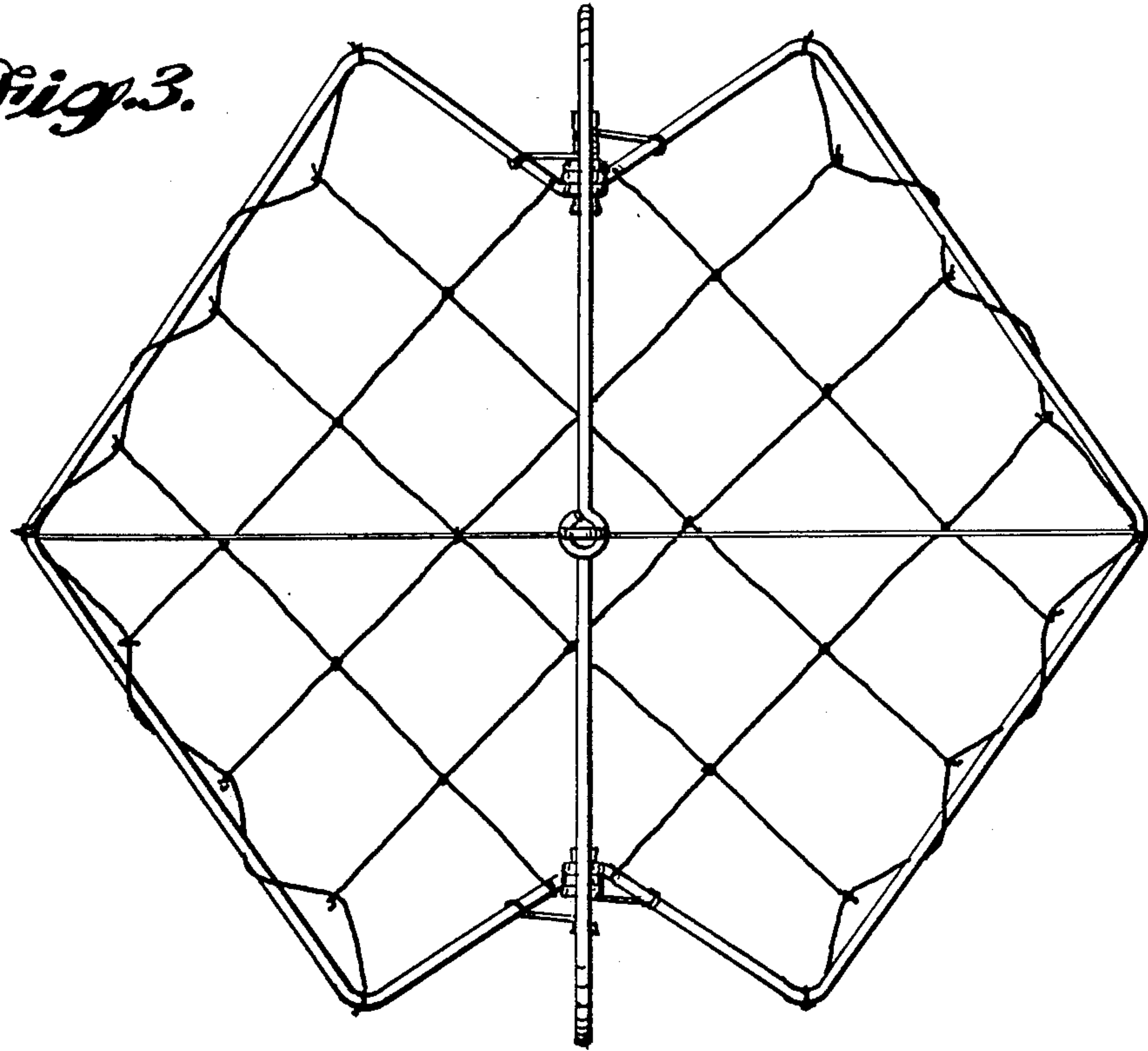


Fig. 4.

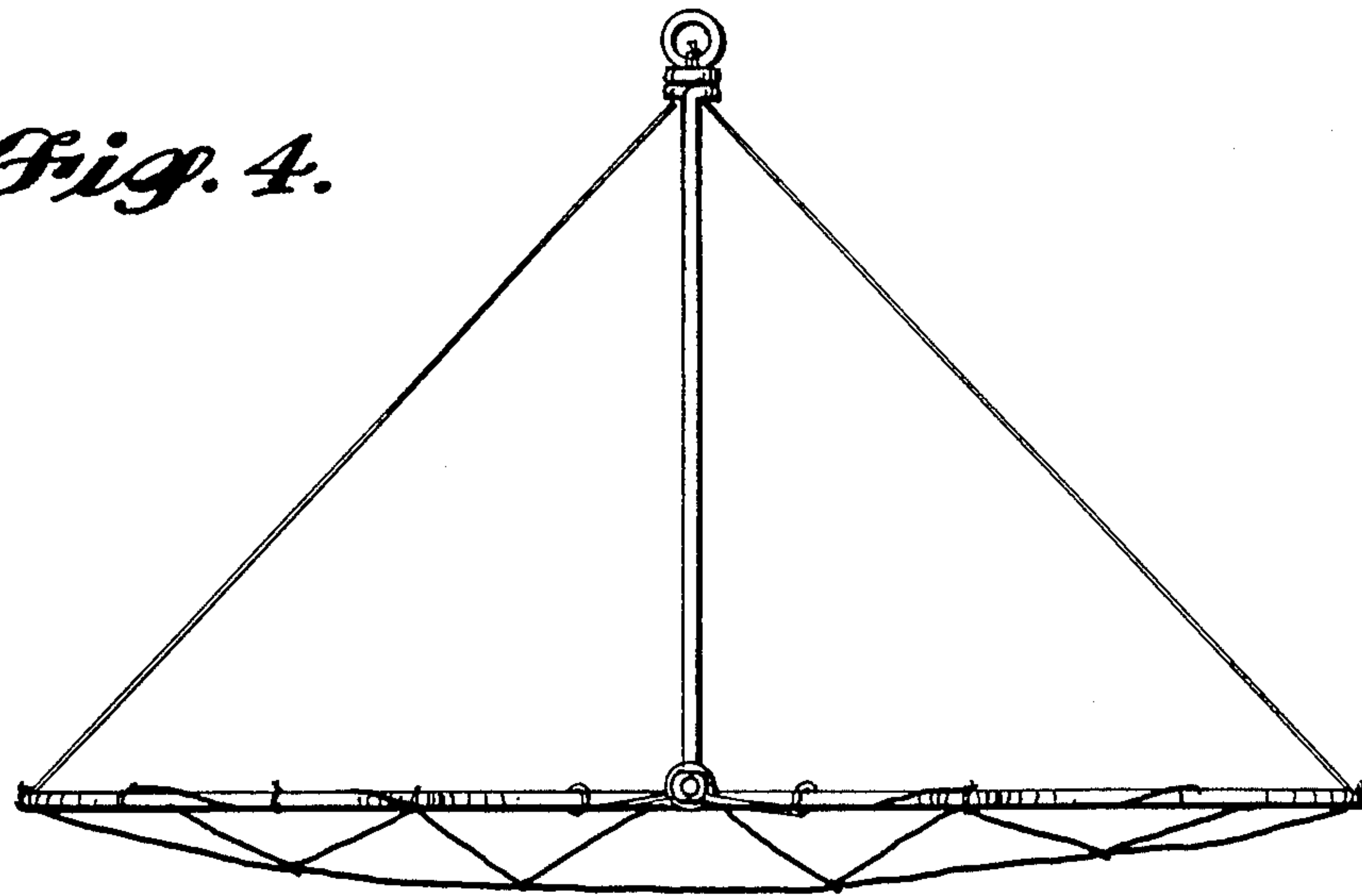


Fig. 5.

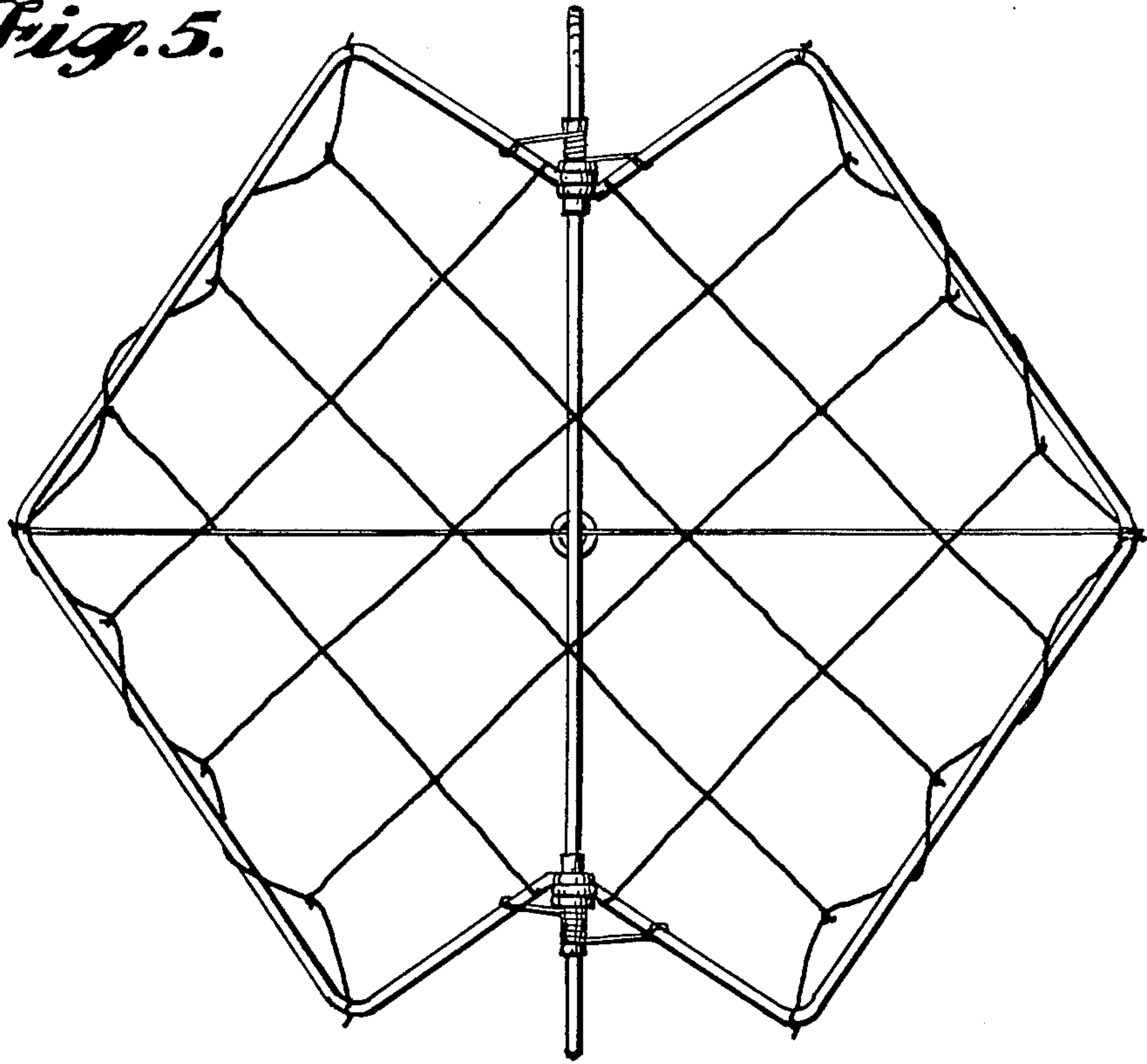


Fig. 6.

