

[54] SKIING EXERCISE MACHINE

[76] Inventor: Yuan-Hung Lo, 3 Fl., No. 85, Sec. 2, Chien-Kuo N. Rd., Taipei, Taiwan

[\*\*] Term: 14 Years

[21] Appl. No.: 145,253

[22] Filed: Jan. 19, 1988

[52] U.S. Cl. .... D21/192

[58] Field of Search ..... D21/191-199; 272/69, 70, 70.1, 70.2, 70.3, 70 A

[56] References Cited

U.S. PATENT DOCUMENTS

- D. 291,821 9/1987 Kiiski ..... D21/192
- 2,772,881 12/1956 Fundom ..... D21/192
- 4,496,147 1/1985 De Cloux et al. .... 272/70

FOREIGN PATENT DOCUMENTS

- 1495436 7/1975 United Kingdom ..... 272/70
- 2007987 5/1979 United Kingdom ..... 272/70

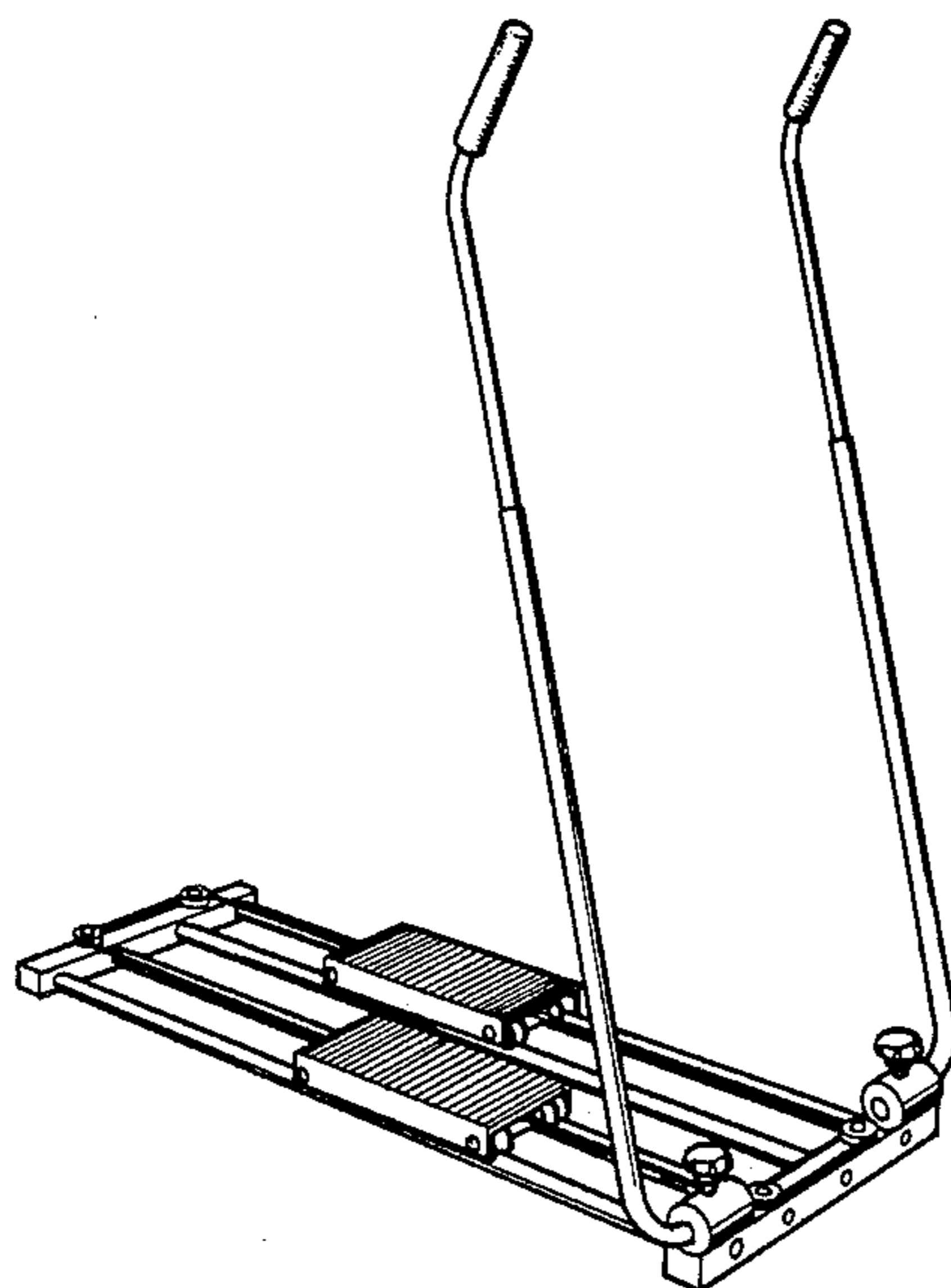
Primary Examiner—Charles A. Rademaker  
Attorney, Agent, or Firm—Thomas & Kennedy

[57] CLAIM

The ornamental design for a skiing exercise machine, as shown and described.

DESCRIPTION

- FIG. 1 is a perspective view of a skiing exercise machine in accordance with the design;
- FIG. 2 is a front elevational view thereof;
- FIG. 3 is a rear elevational view thereof;
- FIG. 4 is a top plan view thereof;
- FIG. 5 is a bottom plan view thereof;
- FIG. 6 is a left side elevational view thereof;
- FIG. 7 is a right side elevational view thereof.



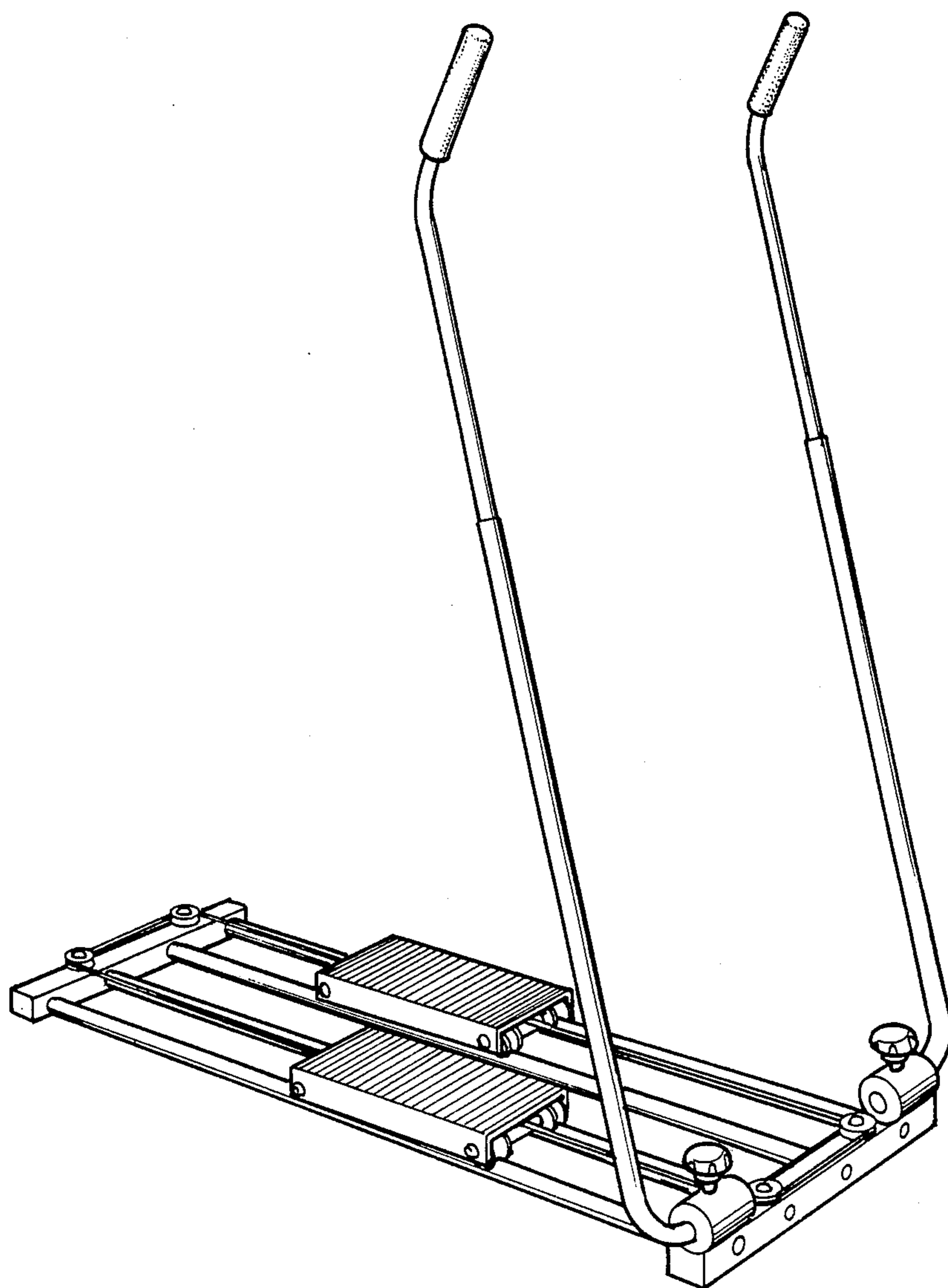


FIG. 1

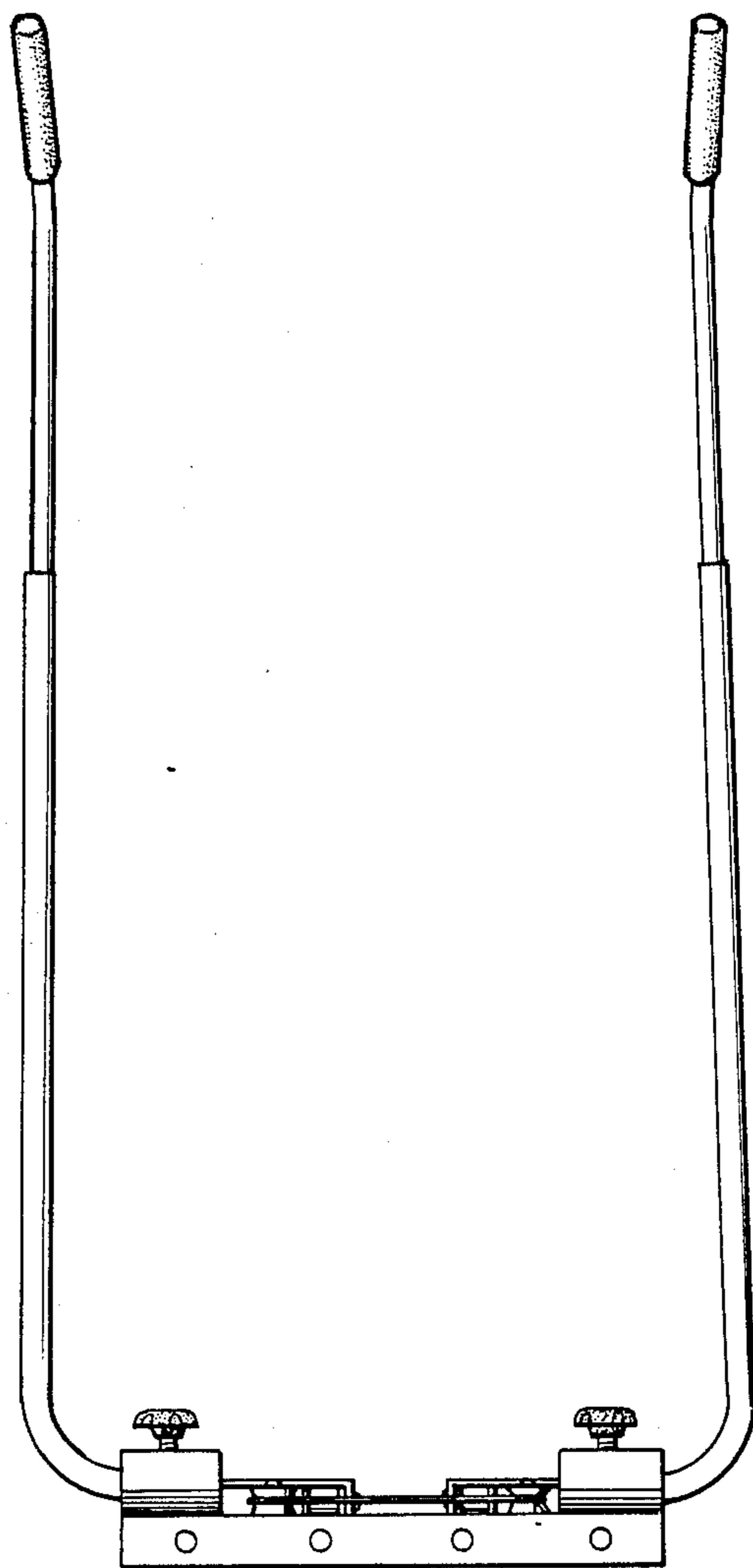


FIG. 2

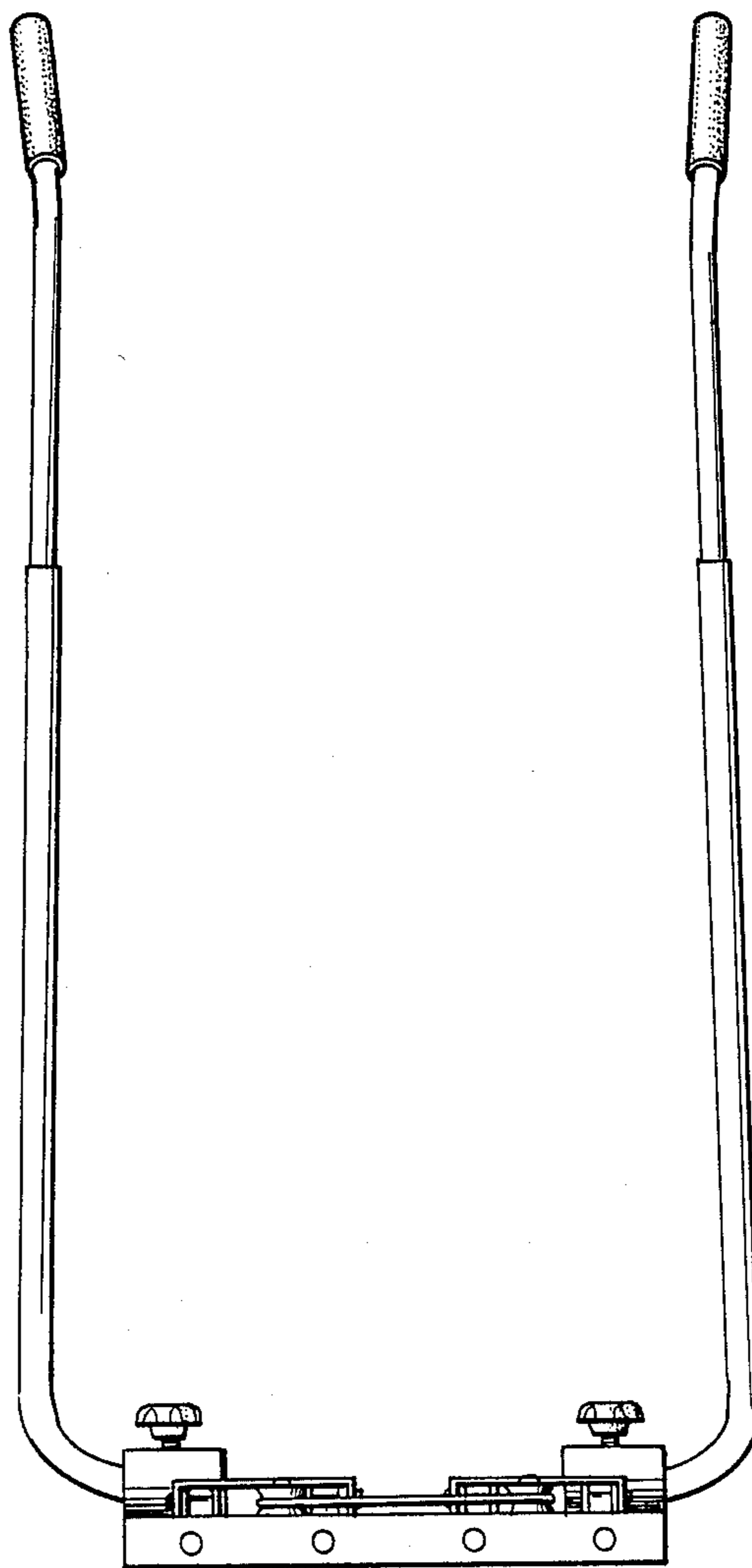


FIG. 3

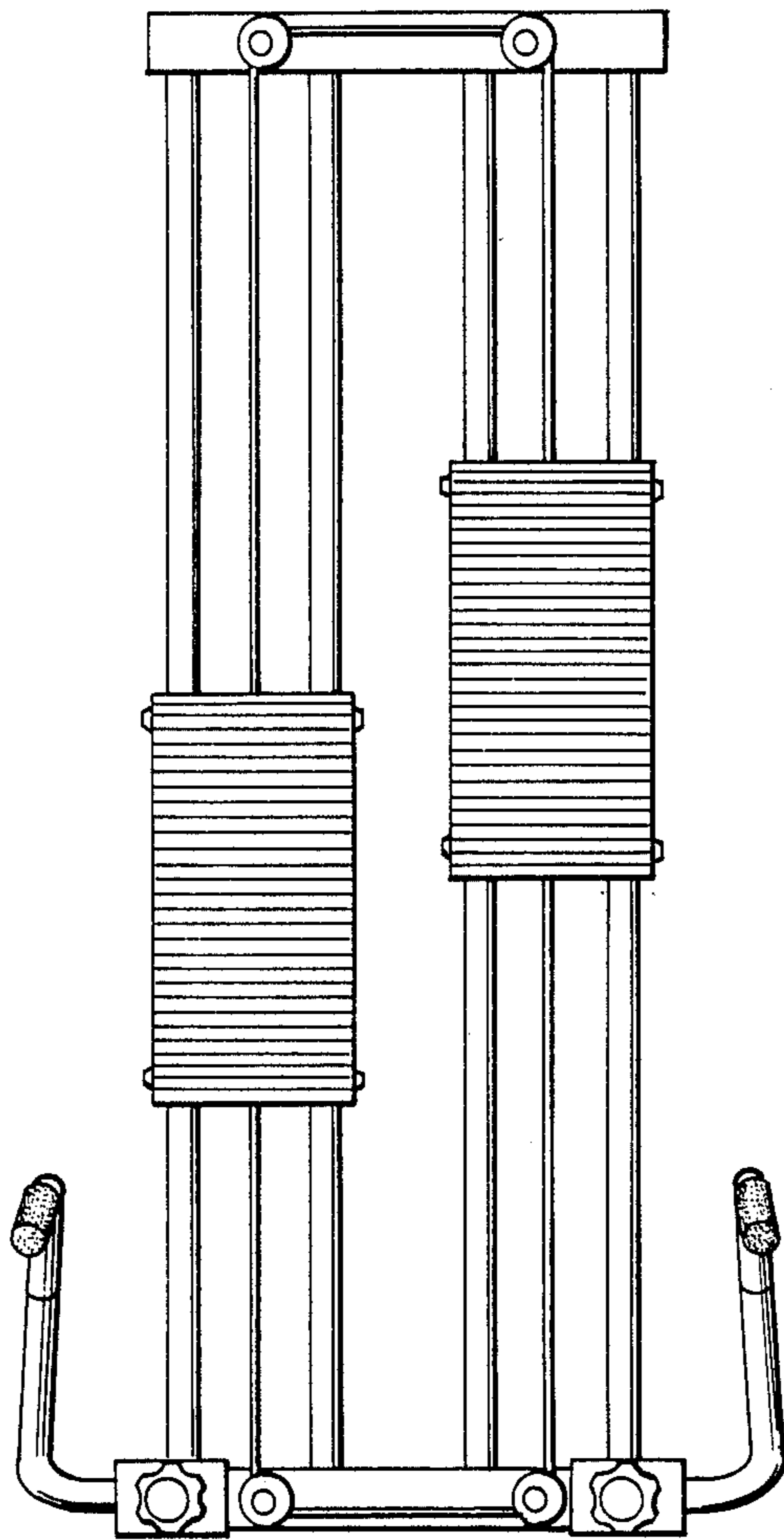


FIG. 4

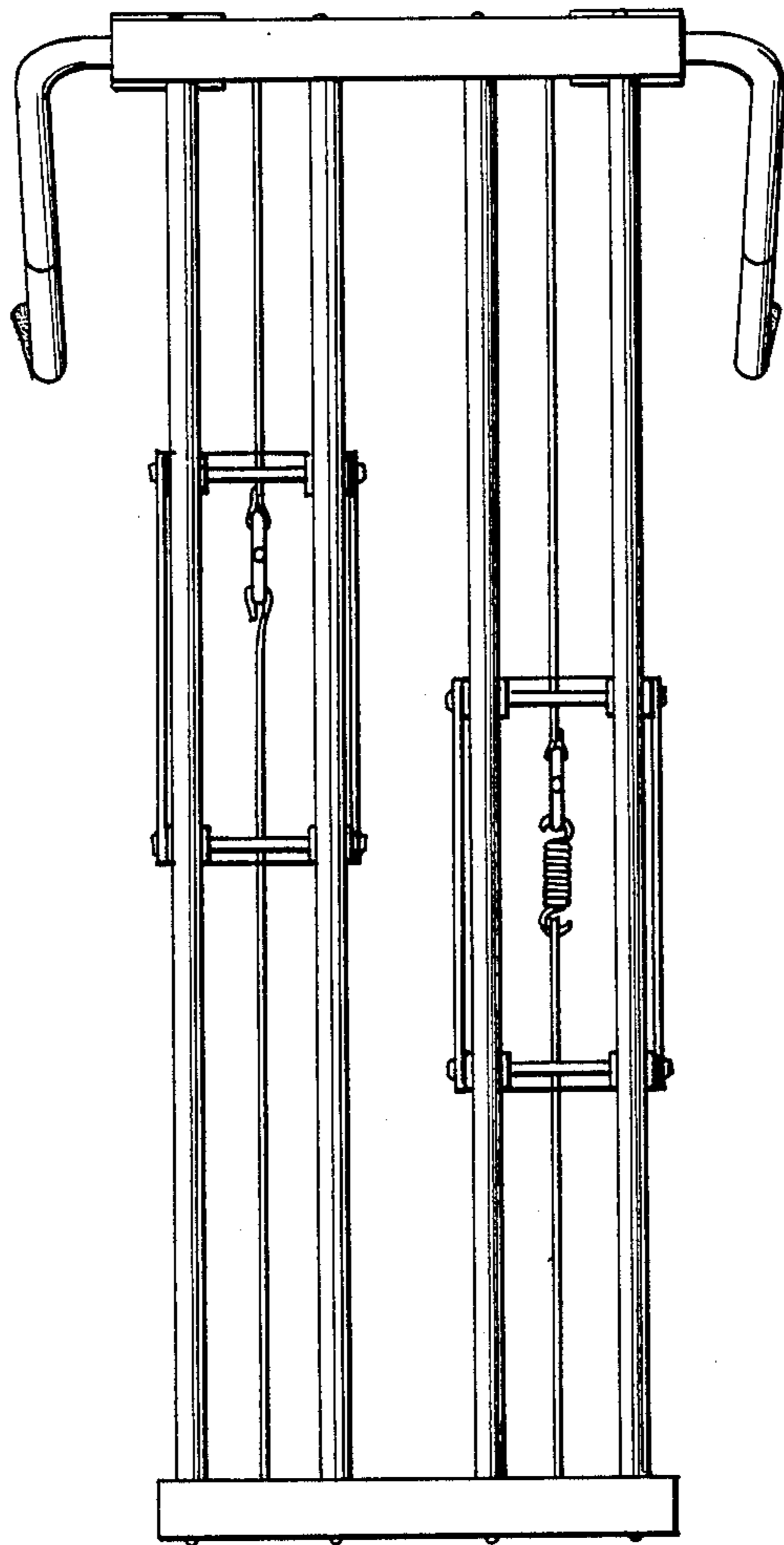
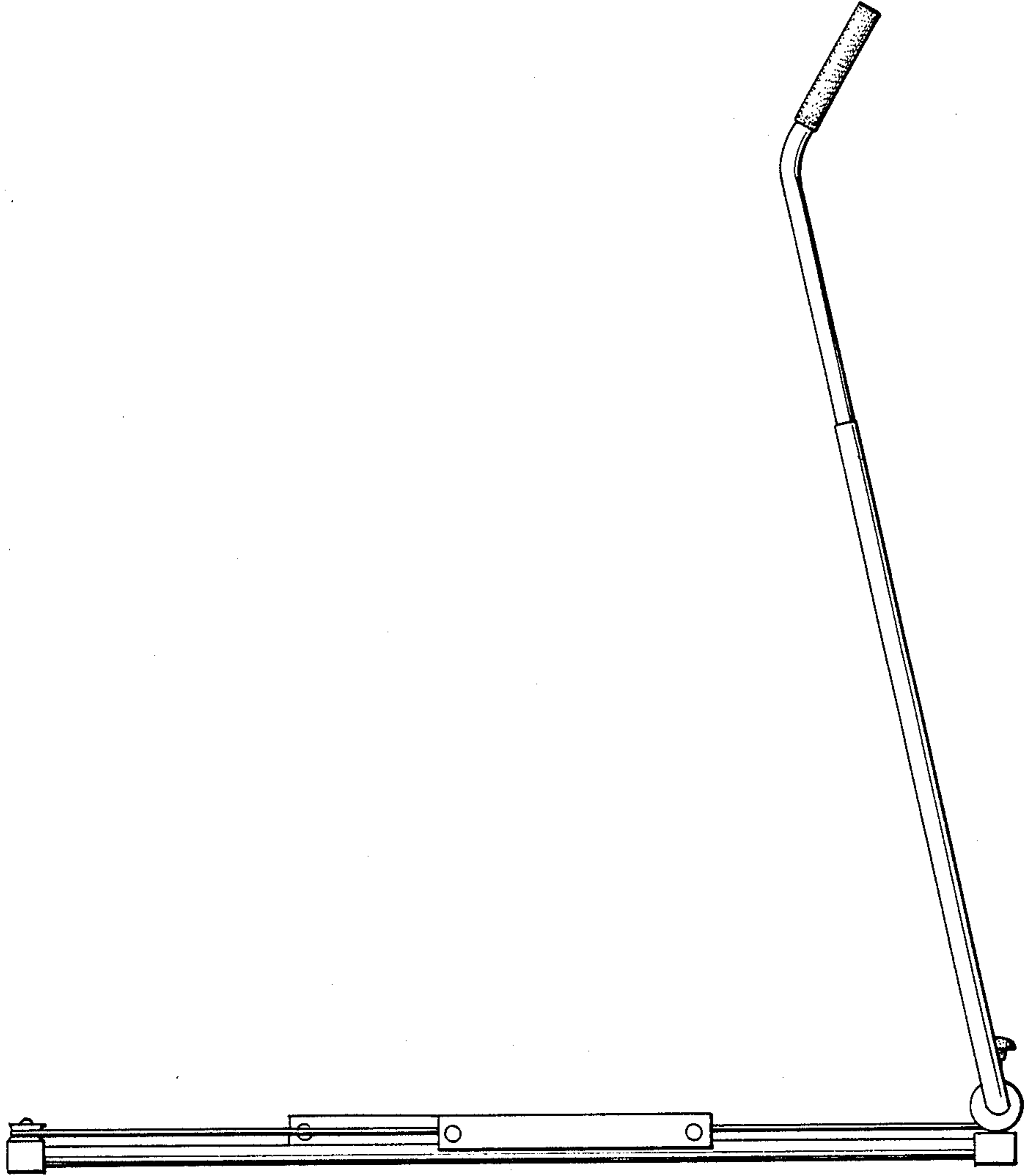


FIG. 5



*FIG. 6*

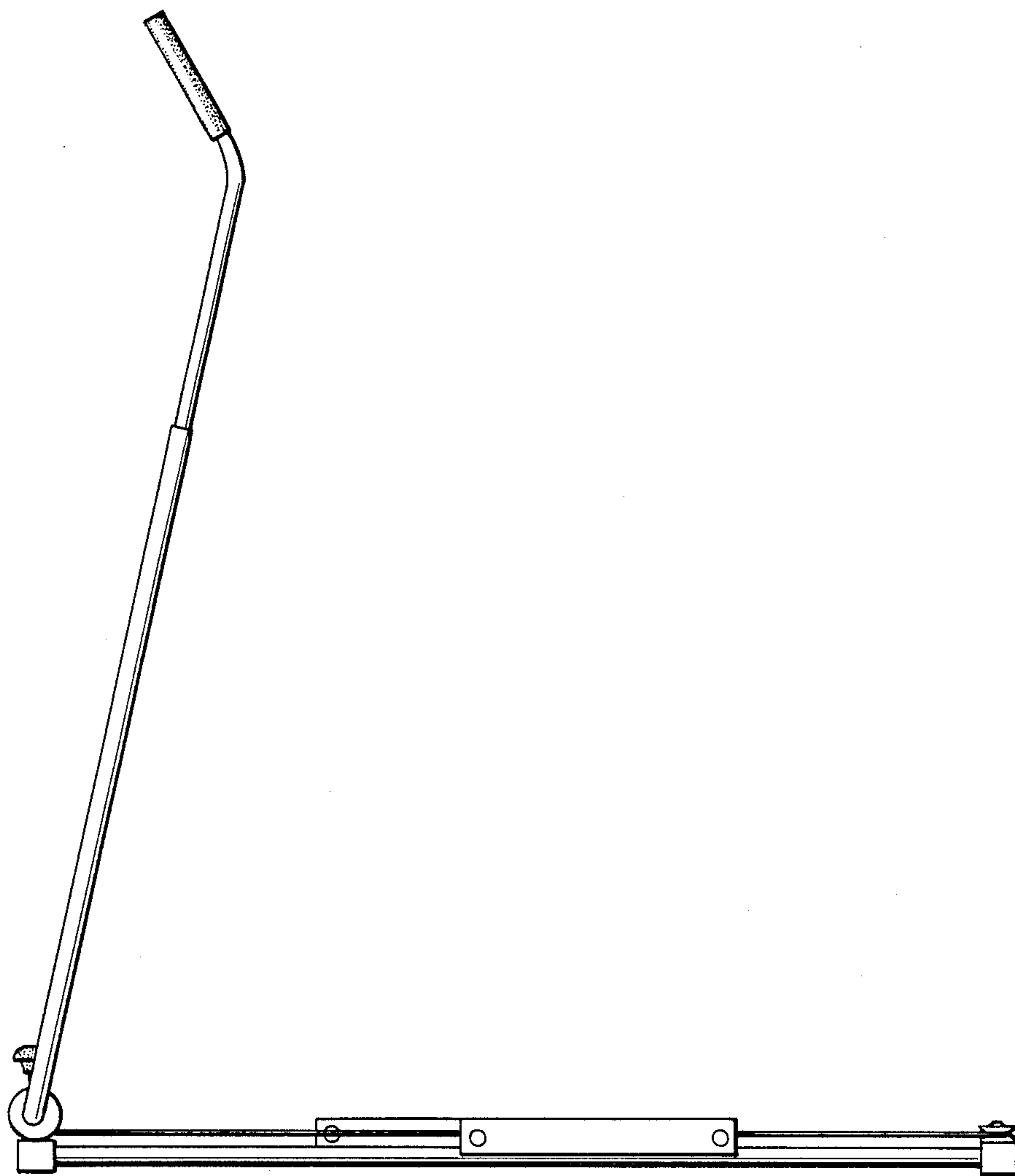


FIG. 7