

[54] TOY RIFLE

[75] Inventor: Sid Noble, Hong Kong, Hong Kong

[73] Assignee: Arco Toys Limited, Kowloon, Hong Kong

[\*\*] Term: 14 Years

[21] Appl. No.: 22,628

[22] Filed: Mar. 6, 1987

[52] U.S. Cl. .... D21/146

[58] Field of Search ..... D21/145, 146, 147; D22/103, 104; 446/473, 401; 124/56; 42/54, 58

[56] References Cited

U.S. PATENT DOCUMENTS

- D. 134,773 1/1943 Flynt et al. .... D21/146
- D. 202,904 11/1965 Gilbert ..... D21/147

- D. 206,542 12/1966 Ryan et al. .... D21/146
- D. 206,670 1/1967 Hirsch ..... D21/147
- D. 286,308 10/1986 Mayer ..... D21/146

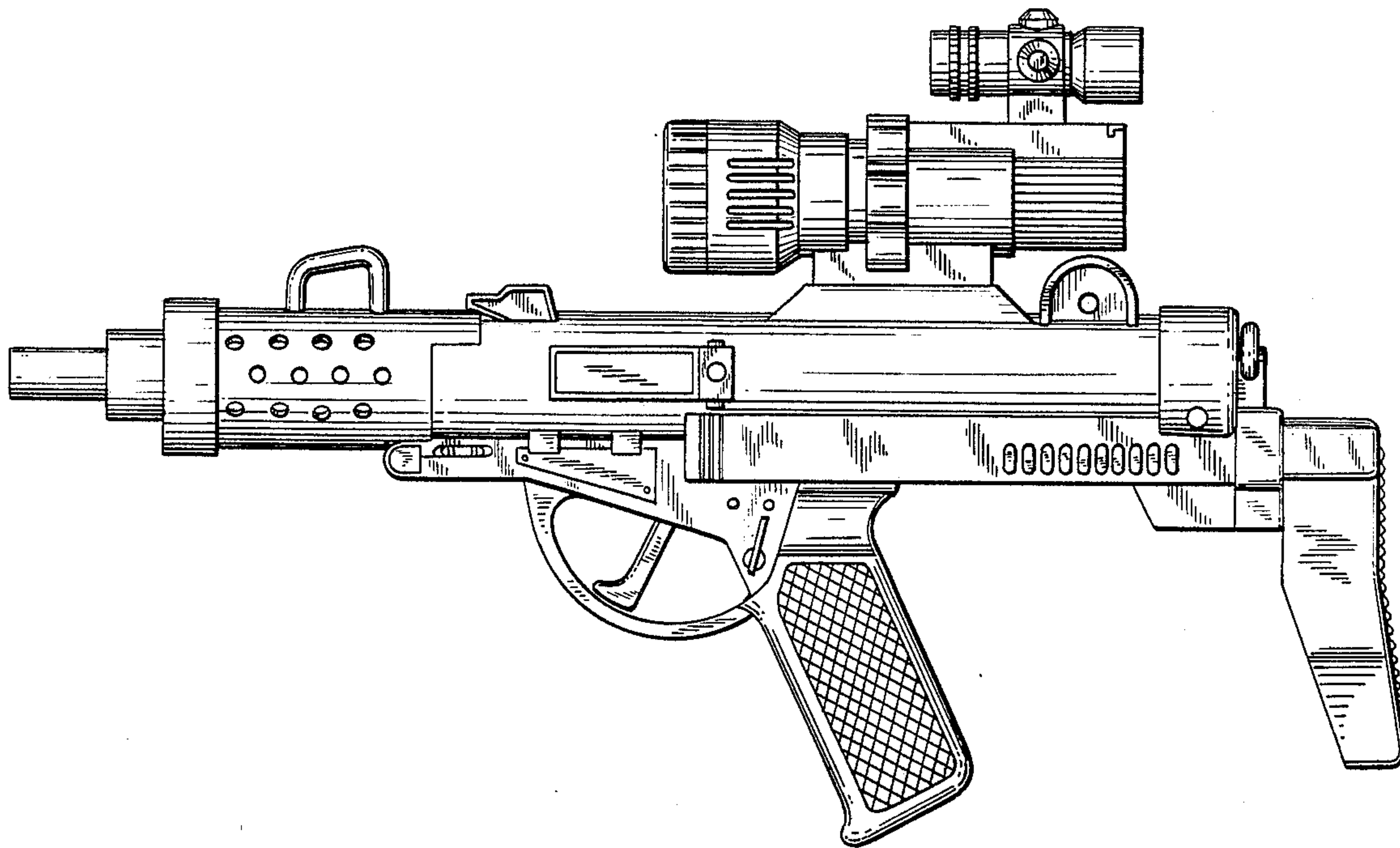
Primary Examiner—Charles A. Rademaker  
Attorney, Agent, or Firm—Abelman Frayne Rezac & Schwab

[57] CLAIM

The ornamental design for a toy rifle, as shown and described.

DESCRIPTION

FIG. 1 is a front elevational view of a toy rifle showing my new design, the side opposite being a mirror image; FIG. 2 is a top plan view thereof; FIG. 3 is an end elevational view thereof; FIG. 4 is an end elevational view of the end opposite that shown in FIG. 3; and FIG. 5 is a bottom plan view thereof.



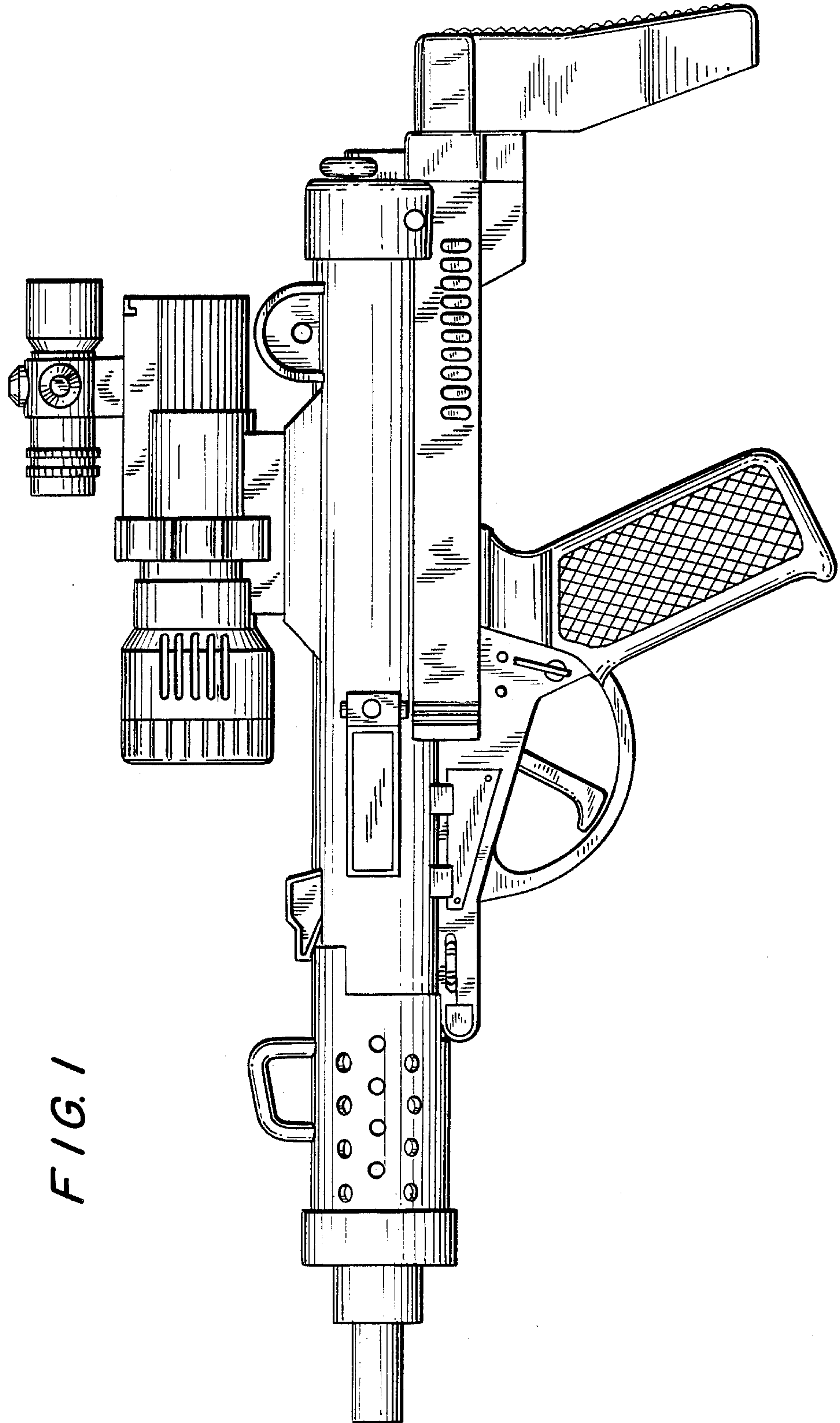


FIG. 1

FIG. 2

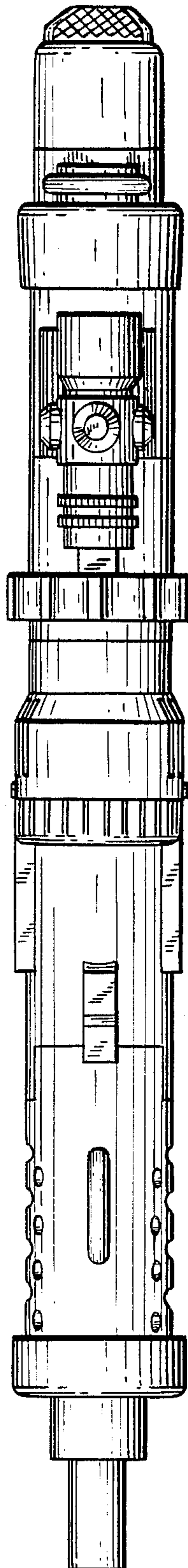


FIG. 5

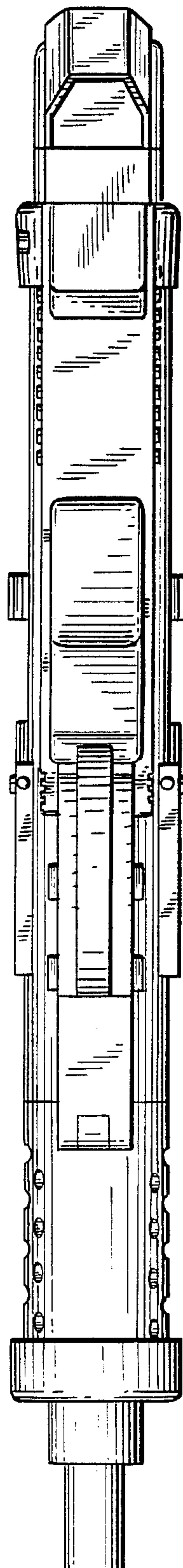


FIG. 4

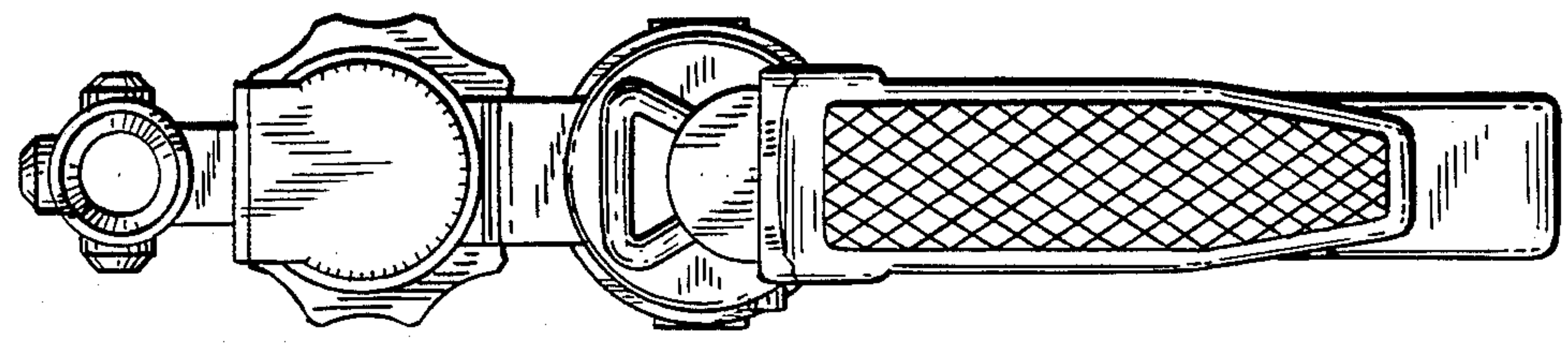


FIG. 3

