

[54] **FLOATING WATER TOY**

[75] **Inventor: Craig J. McElhaney, East Aurora, N.Y.**

[73] **Assignee: The Quaker Oats Company, Chicago, Ill.**

[**] **Term: 14 Years**

[21] **Appl. No.: 70,886**

[22] **Filed: Jul. 8, 1987**

[52] **U.S. Cl. D21/119; D21/130; D21/114**

[58] **Field of Search D21/109, 114, 115, 118, D21/119, 130; 446/69, 71, 227, 423, 476, 477, 478, 153, 160**

[56] **References Cited**

U.S. PATENT DOCUMENTS

D. 73,056 7/1927 Scott D21/119

D. 121,309 7/1940 Talmadge D21/119
D. 240,065 5/1976 Orenstein D21/116
D. 258,160 2/1981 Williams et al. D21/114

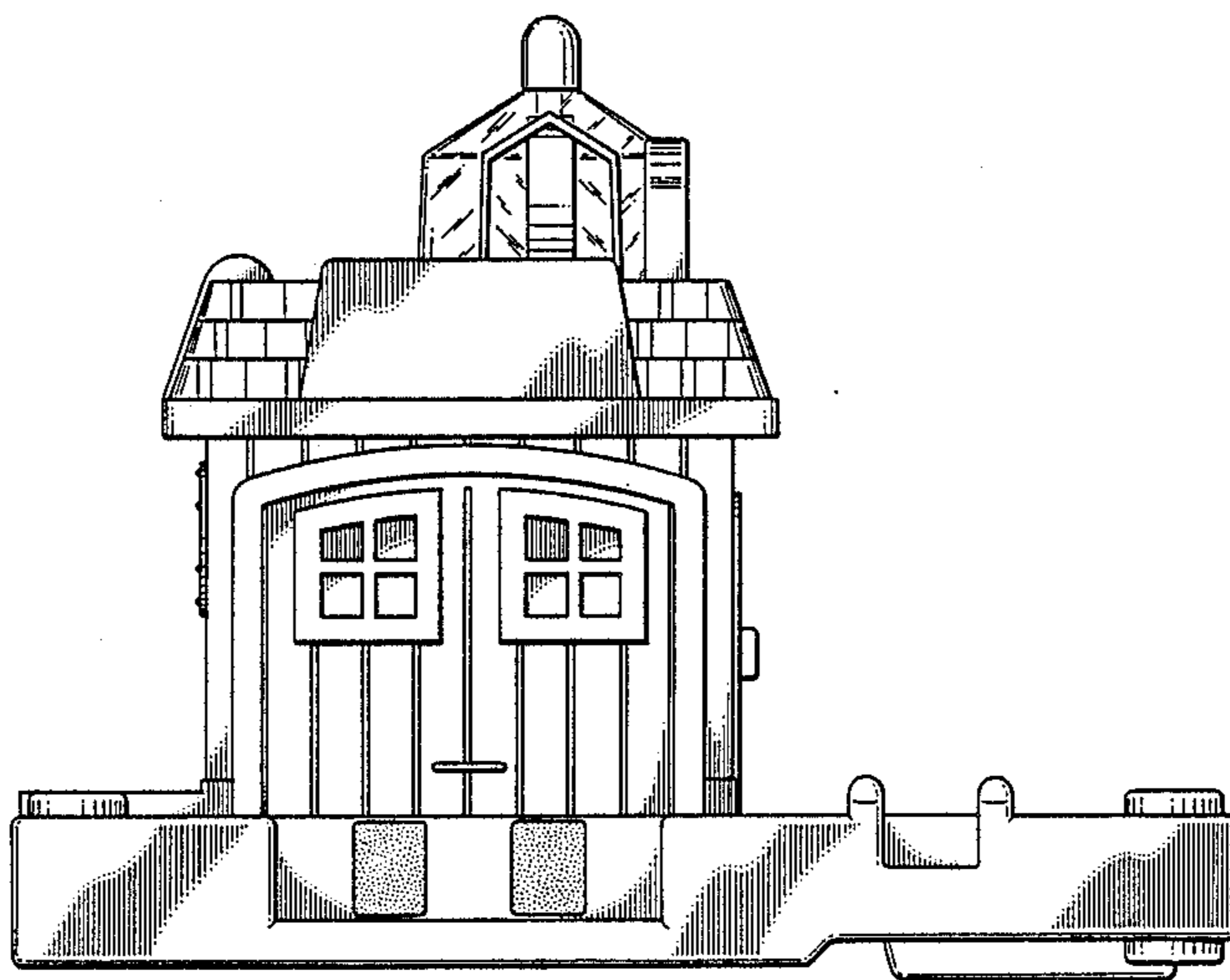
Primary Examiner—Charles A. Rademaker
Attorney, Agent, or Firm—Cumpston & Shaw

[57] **CLAIM**

The ornamental design for a floating water toy, as shown and described.

DESCRIPTION

FIG. 1 is a left-side elevational view of a floating water toy showing my new design;
FIG. 2 is a top plan view thereof;
FIG. 3 is a front elevational view thereof;
FIG. 4 is a right-side elevational view thereof;
FIG. 5 is a rear elevational view thereof;
FIG. 6 is a left-side elevational view showing a door in the open position thereof; and
FIG. 7 is a bottom plan view thereof.



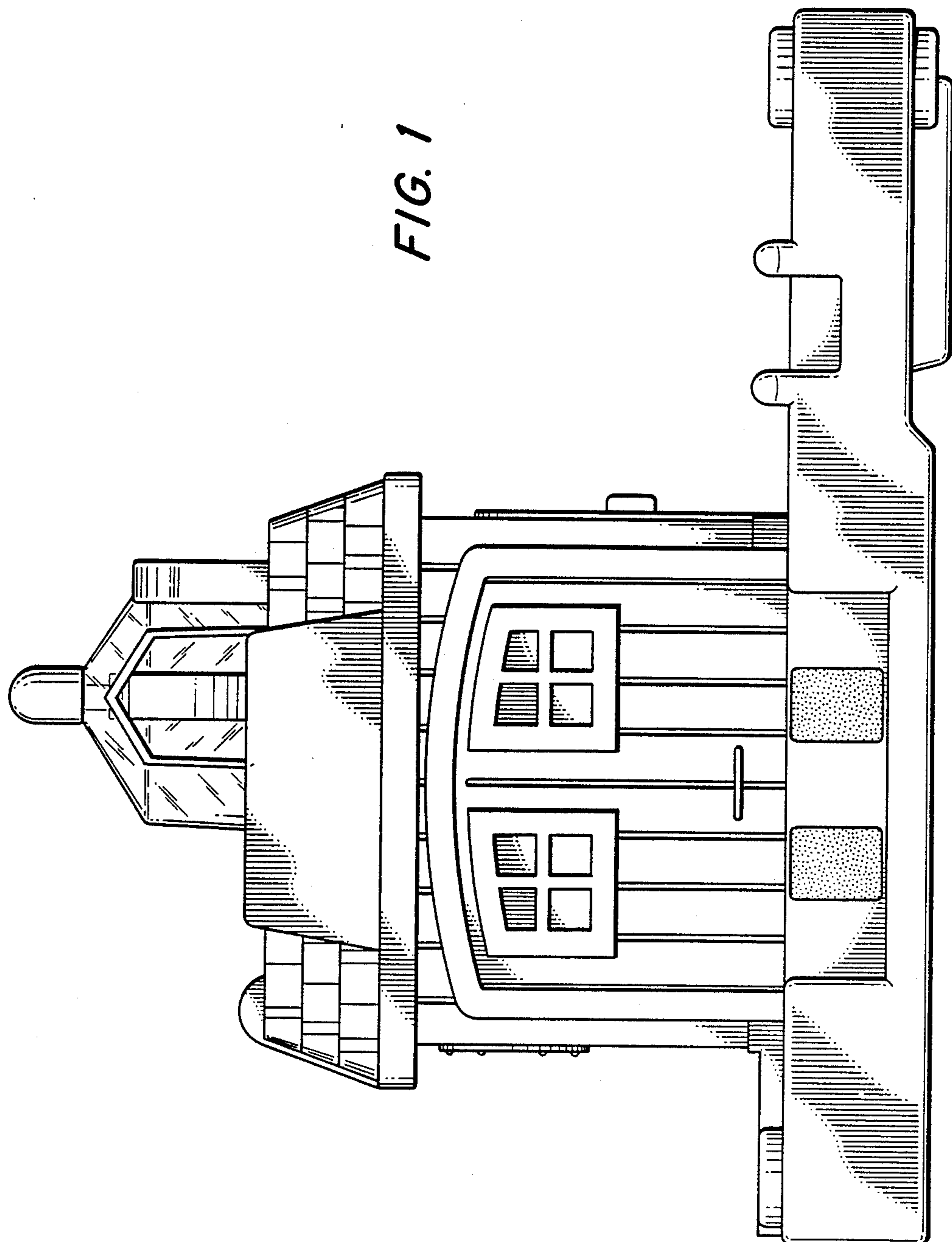


FIG. 2

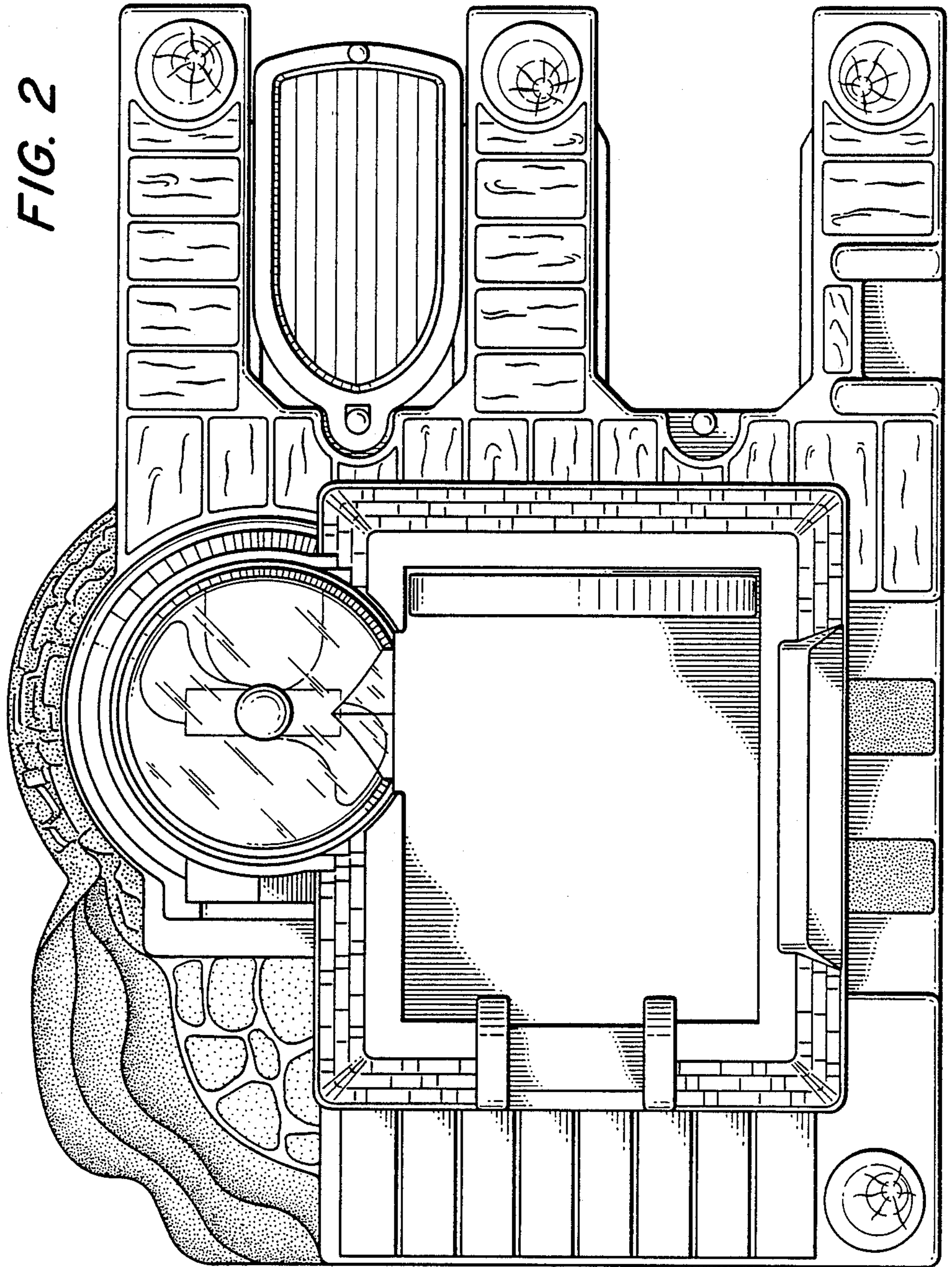
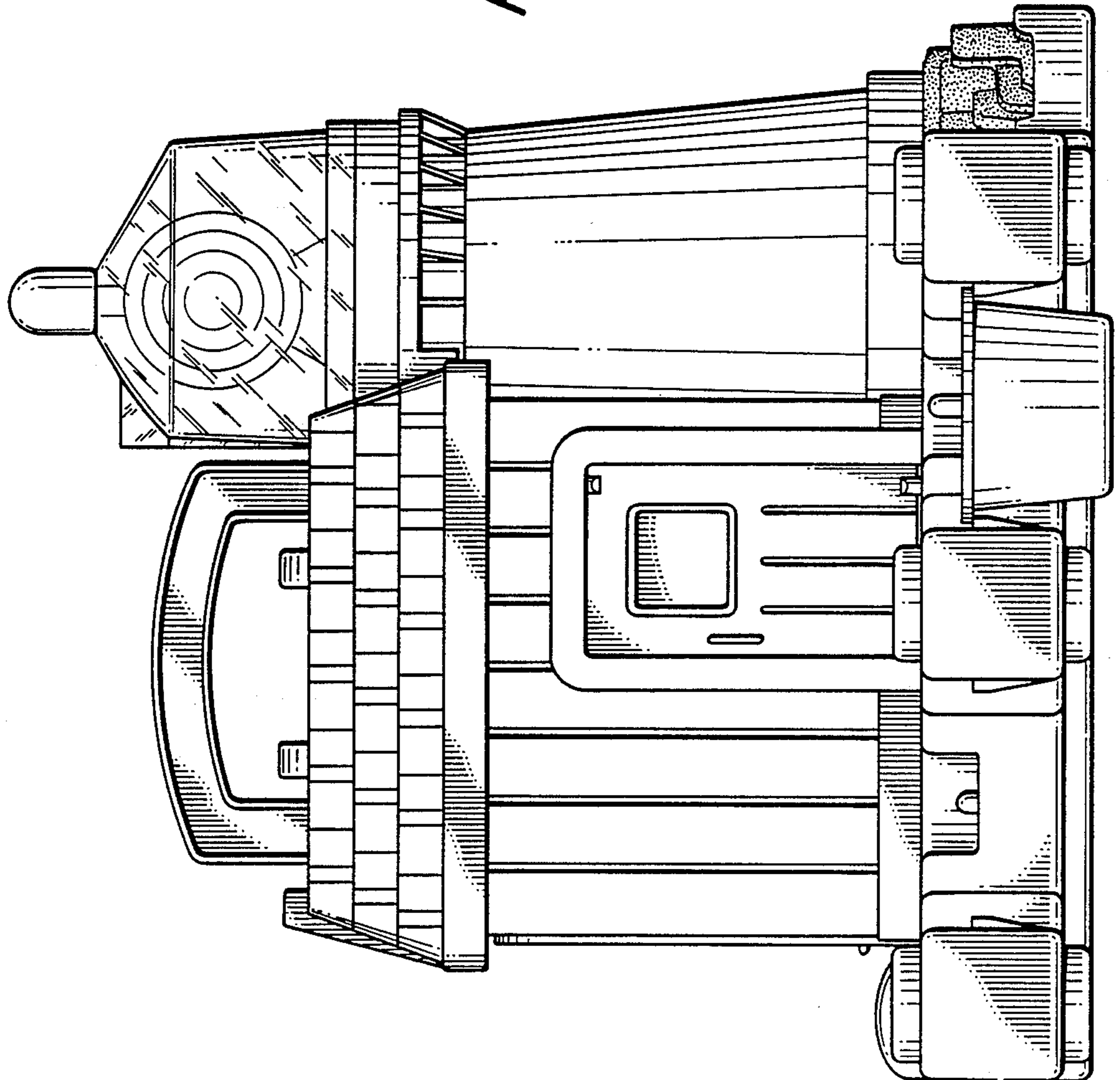


FIG. 3



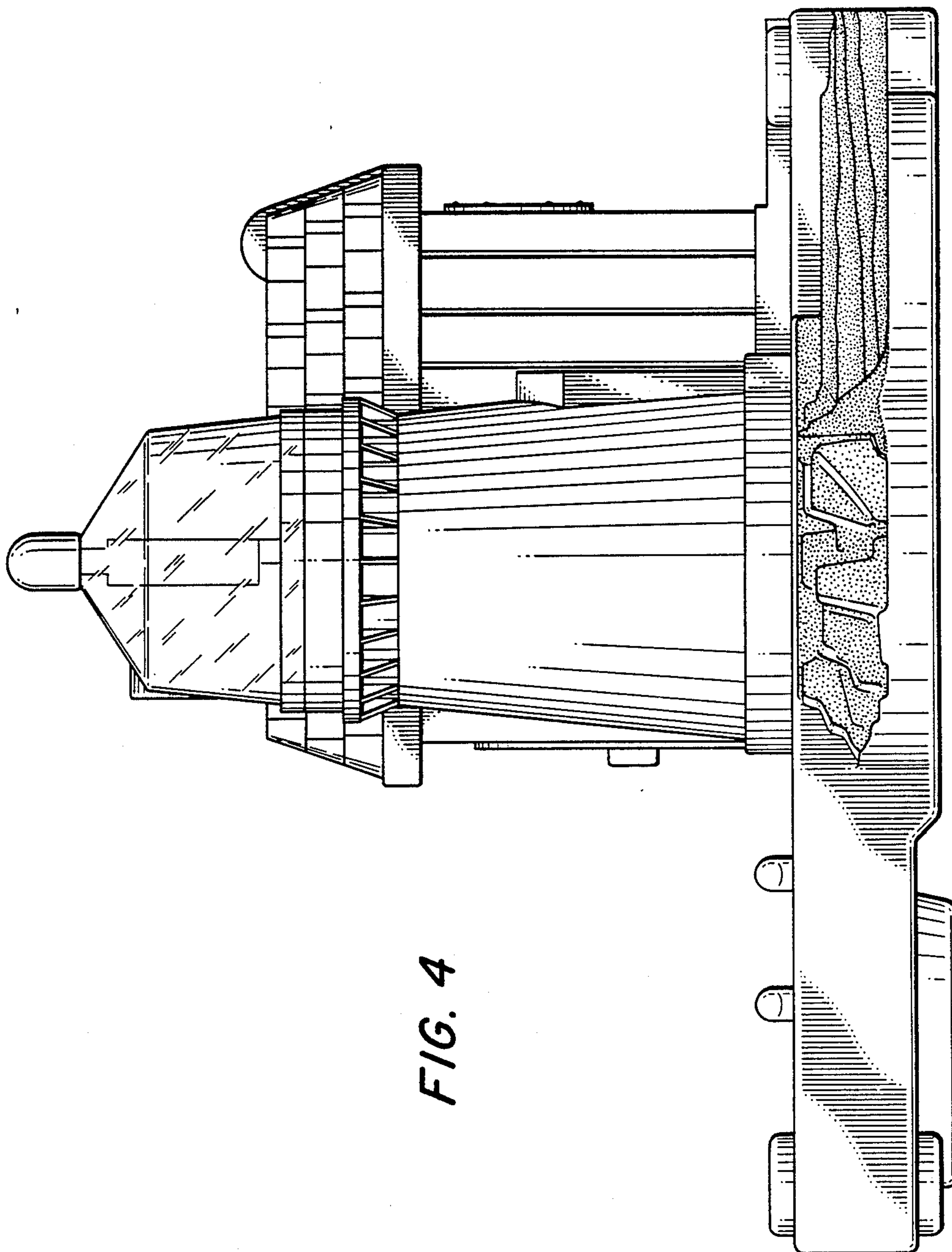


FIG. 4

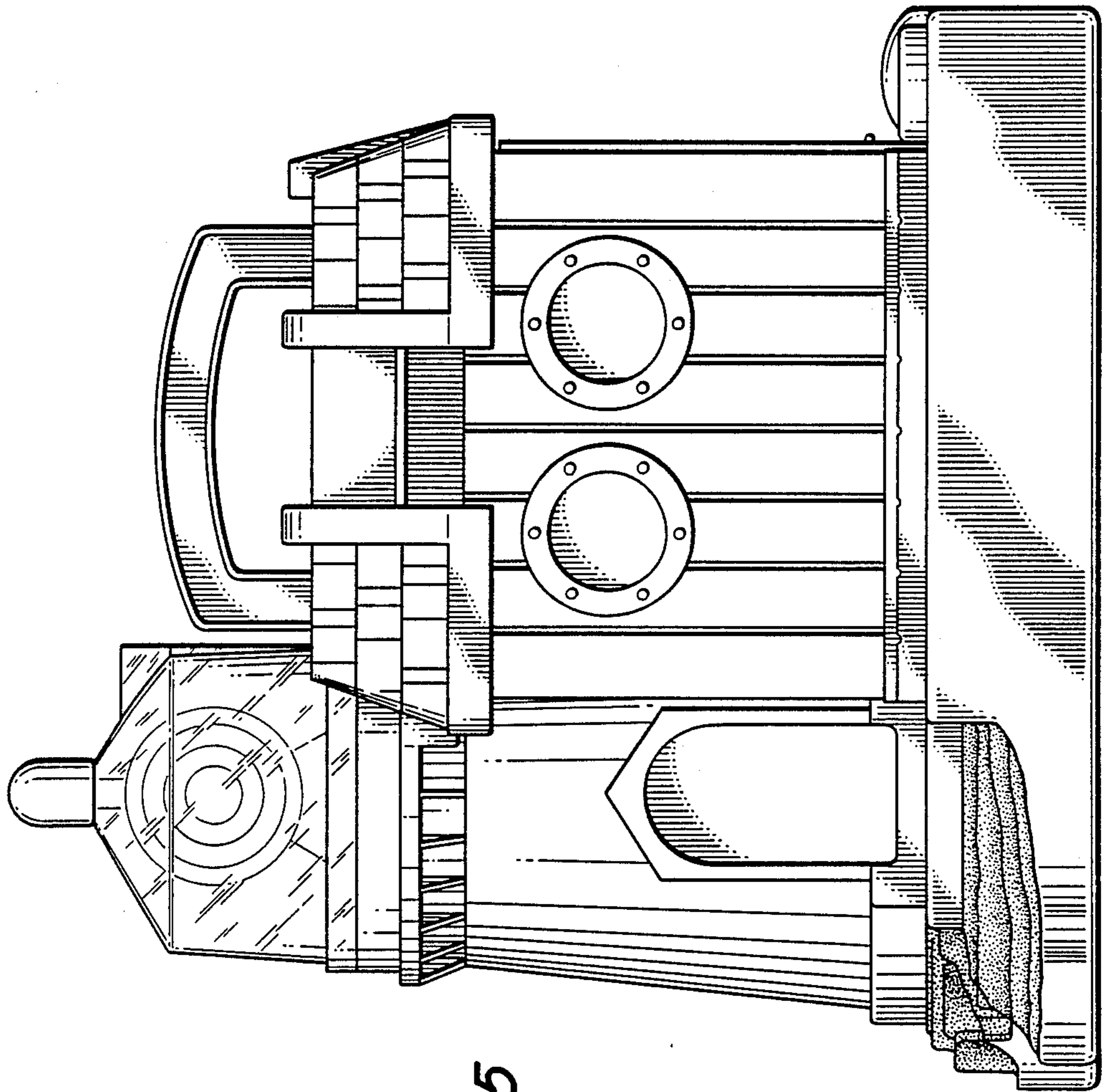


FIG. 5

