

[54] TOY TRACTOR

[75] Inventors: Harry S. Thomson, Richmond; David M. Raffo; John A. Pape, both of Hitchin, all of England

[73] Assignee: Hestair Kiddicraft Limited, Bristol, England

[\*\*] Term: 14 Years

[21] Appl. No.: 43,986

[22] Filed: Apr. 29, 1987

[30] Foreign Application Priority Data

Nov. 4, 1986 [GB] United Kingdom ..... 1037804  
[52] U.S. Cl. .... D21/79  
[58] Field of Search ..... D6/364, 354; D12/6, D12/7, 10, 18, 19, 20; D21/71, 73, 76, 78, 79, 124, 125, 128, 129, 134, 135, 136, 140; 280/87.01, 200, 263, 481; D34/33, 37, 17

[56] References Cited

U.S. PATENT DOCUMENTS

D. 234,027 12/1974 Keumholz et al. .... D21/78  
D. 253,183 10/1979 Peterson ..... D21/132  
D. 274,633 7/1984 Terui et al. .... D21/136  
D. 275,874 10/1984 Manning et al. .... D21/140  
D. 281,341 11/1985 Lali ..... D21/136

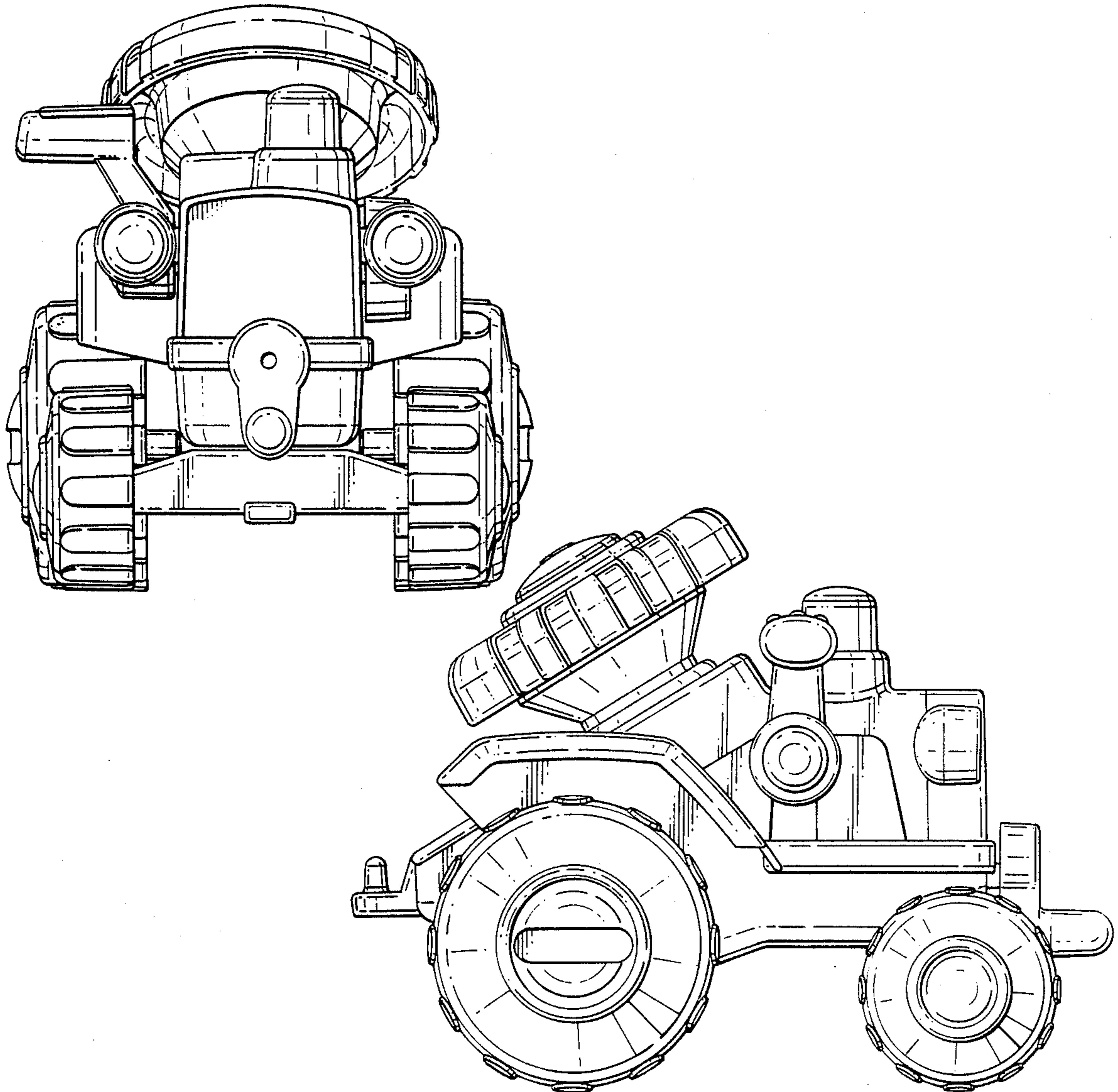
Primary Examiner—Charles A. Rademaker  
Assistant Examiner—Alicia A. Farrell

[57] CLAIM

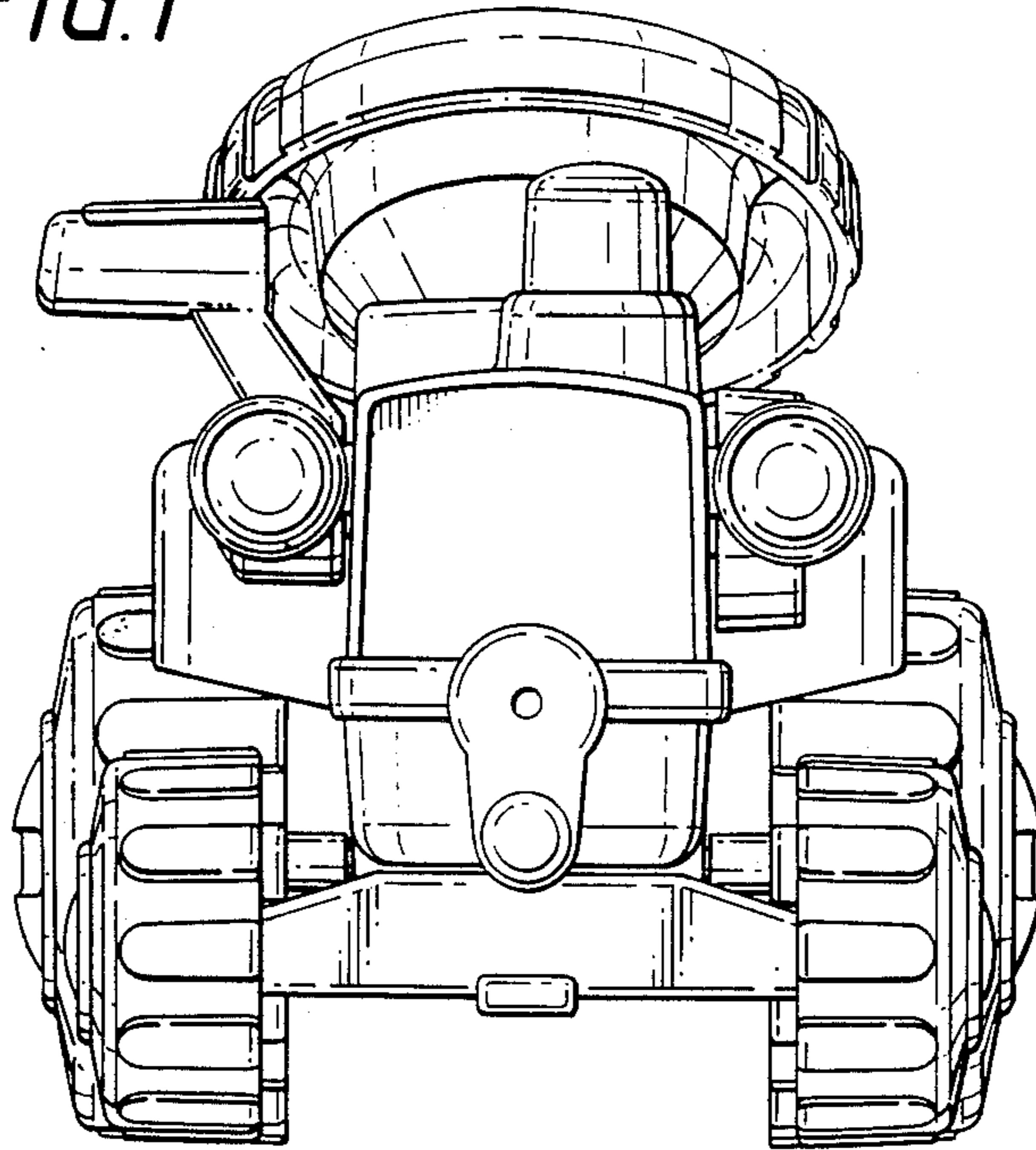
The ornamental design for a toy tractor, as shown and described.

DESCRIPTION

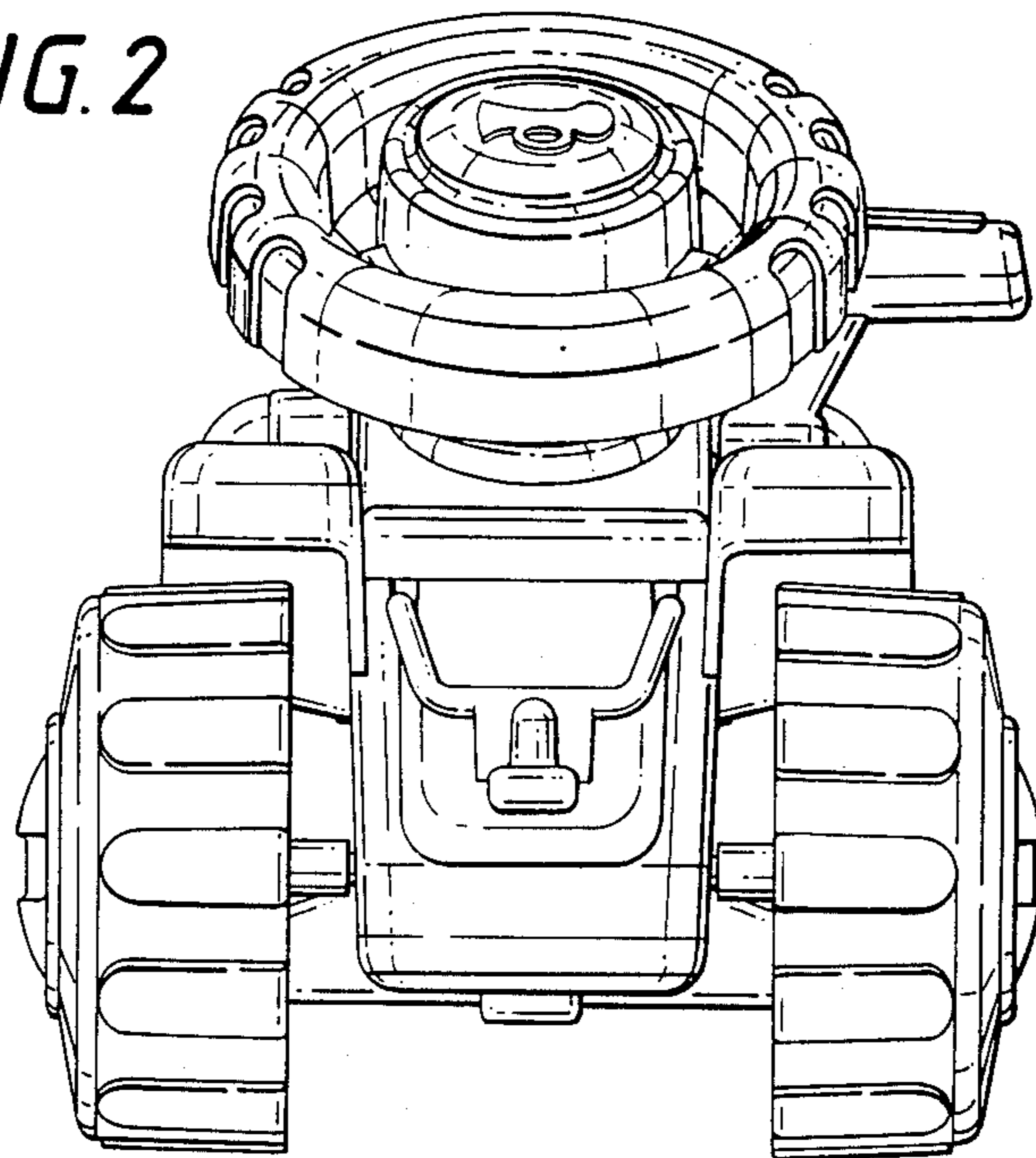
FIG. 1 is a front elevational view of a toy tractor showing our new design;  
FIG. 2 is a rear elevational view thereof;  
FIG. 3 is a side elevational view thereof;  
FIG. 4 is the side elevational view of the side opposite that shown in FIG. 3;  
FIG. 5 is a top plan view thereof; and,  
FIG. 6 is a bottom plan view thereof.



*FIG. 1*

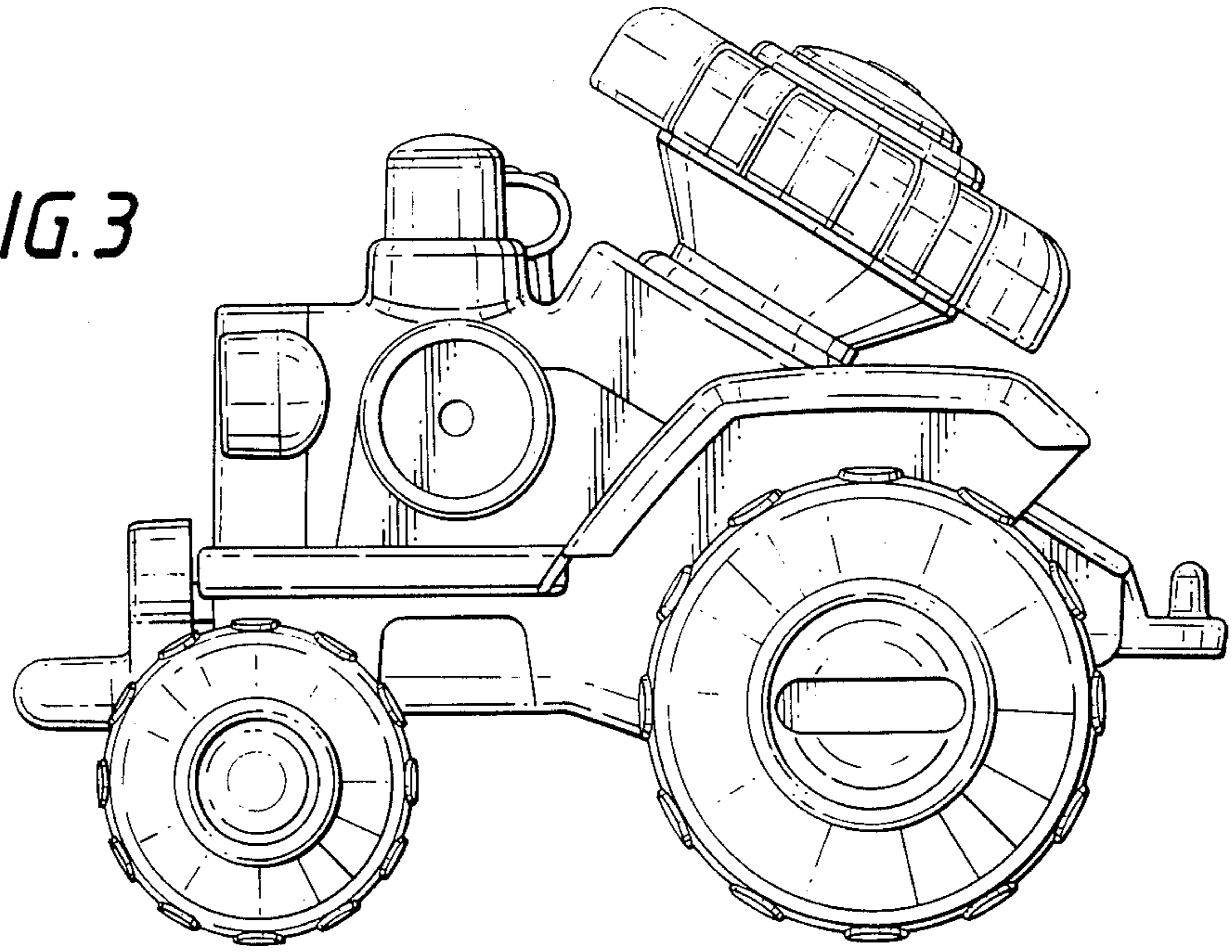


*FIG. 2*





*FIG. 3*



*FIG. 4*

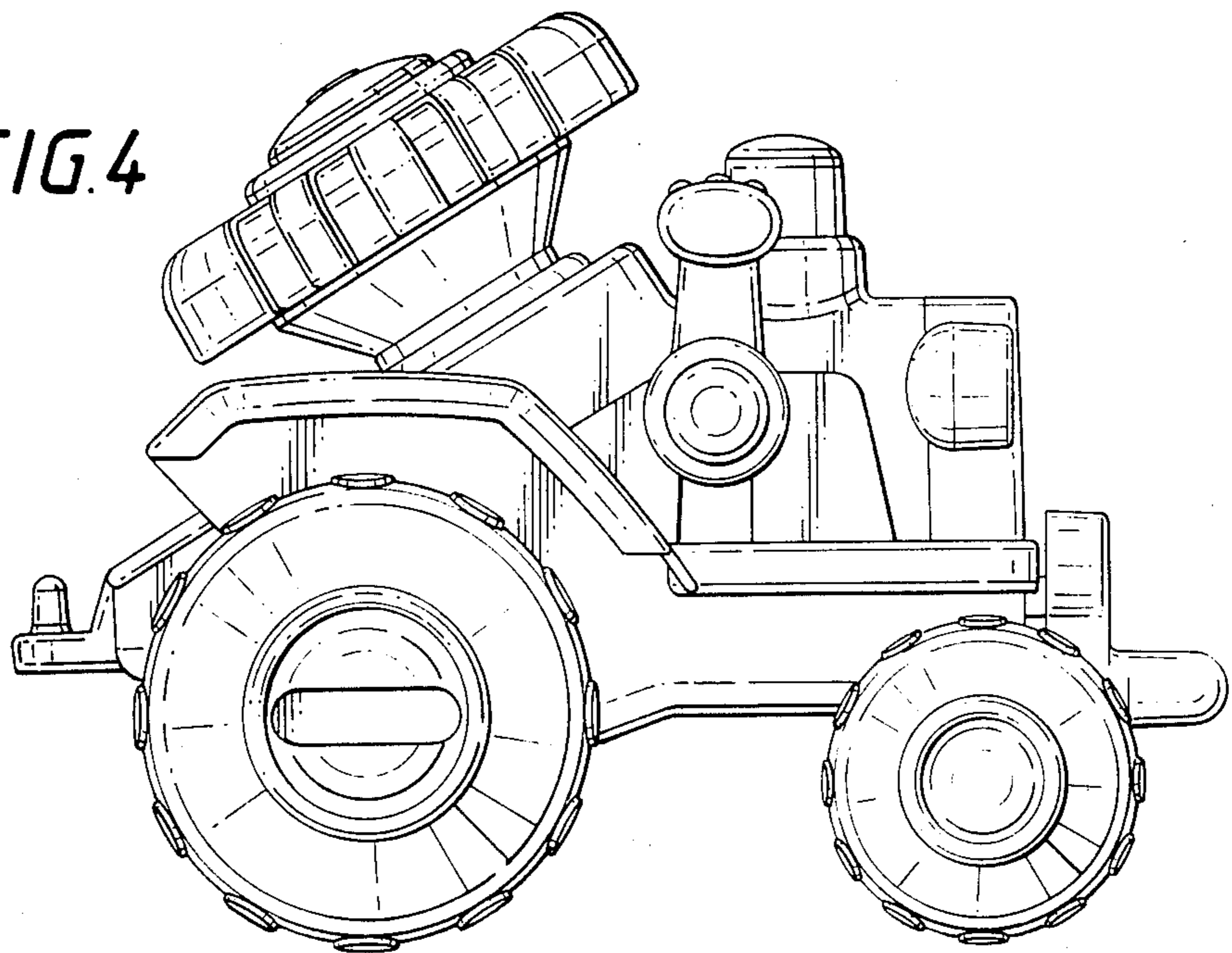


FIG. 5

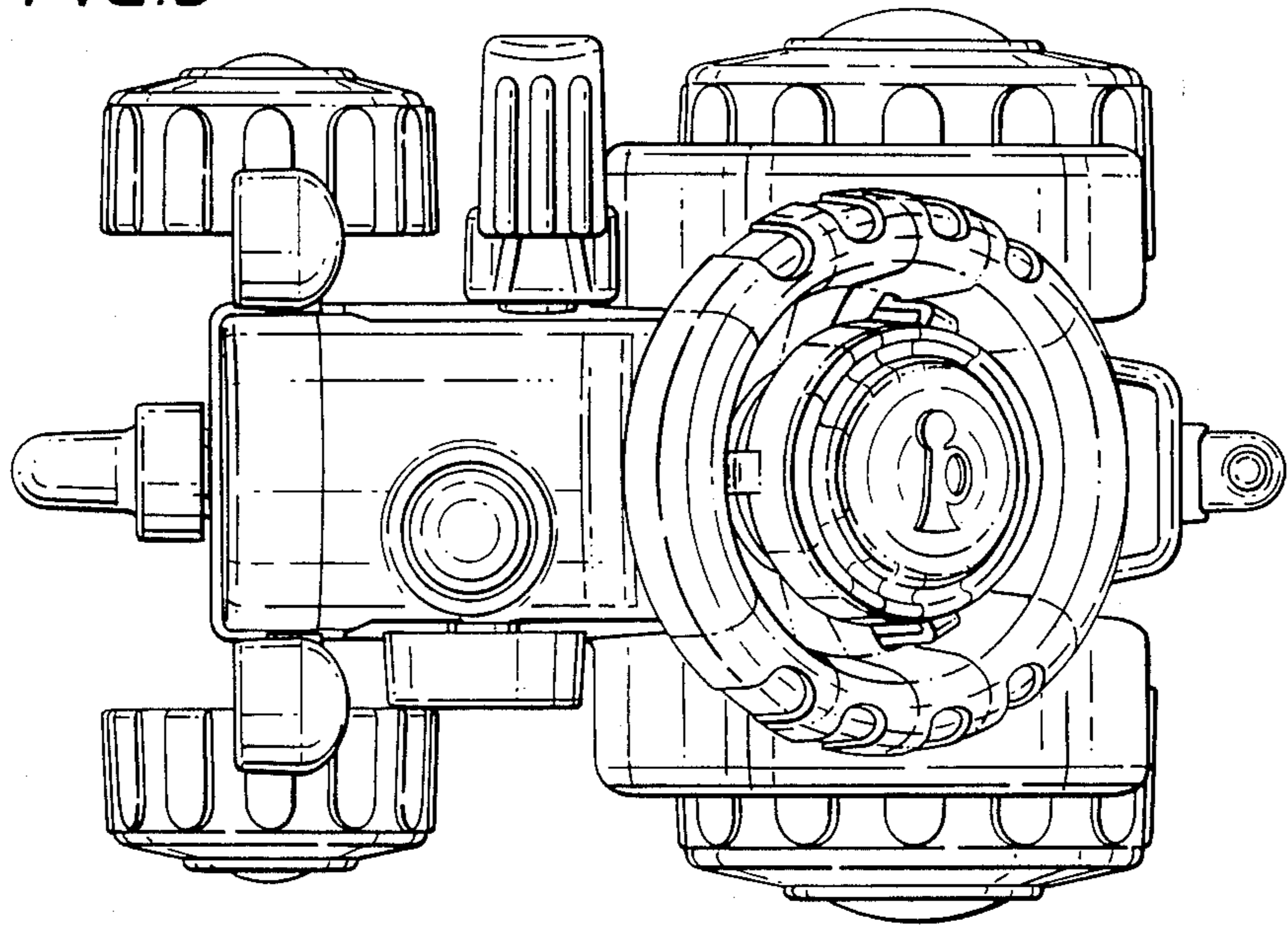


FIG. 6

