

[54] VIDEO GAME CONSOLE

[76] Inventor: Mark A. Biasotti, 545 Alviso St., Santa Clara, Calif. 95050

[*] Notice: The portion of the term of this patent subsequent to Aug. 29, 2002 has been disclaimed.

[**] Term: 14 Years

[21] Appl. No.: 455,132

[22] Filed: Jan. 3, 1983

[52] U.S. Cl. D21/48; D21/1

[58] Field of Search D21/48, 13, 1; D13/11, D13/12, 32, 37; 273/DIG. 28, 148 B, 1 GC, 85 G

[56] References Cited

U.S. PATENT DOCUMENTS

D. 271,891 12/1983 Renteria D21/48

OTHER PUBLICATIONS

Toys Hobbies & Crafts, Sep. 1982, p. 56, middle left, the Atari 5200.

Primary Examiner—Melvin B. Feifer

[57] CLAIM

The ornamental design for a video game console, as shown and described.

DESCRIPTION

FIG. 1 is a perspective view of a video game console showing my new design.

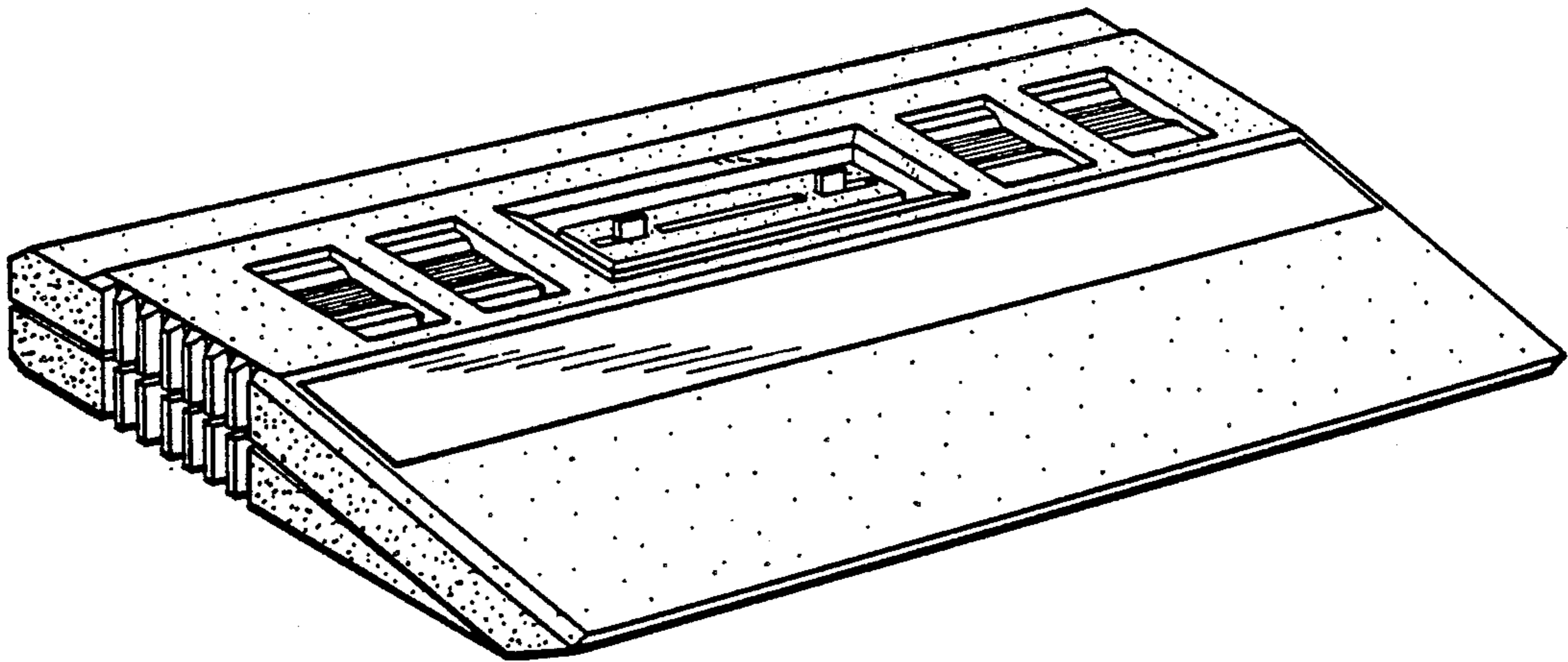
FIG. 2 is a side view thereof.

FIG. 3 is a top view thereof.

FIG. 4 is a front view thereof.

FIG. 5 is a bottom view thereof.

FIG. 6 is a back view thereof.



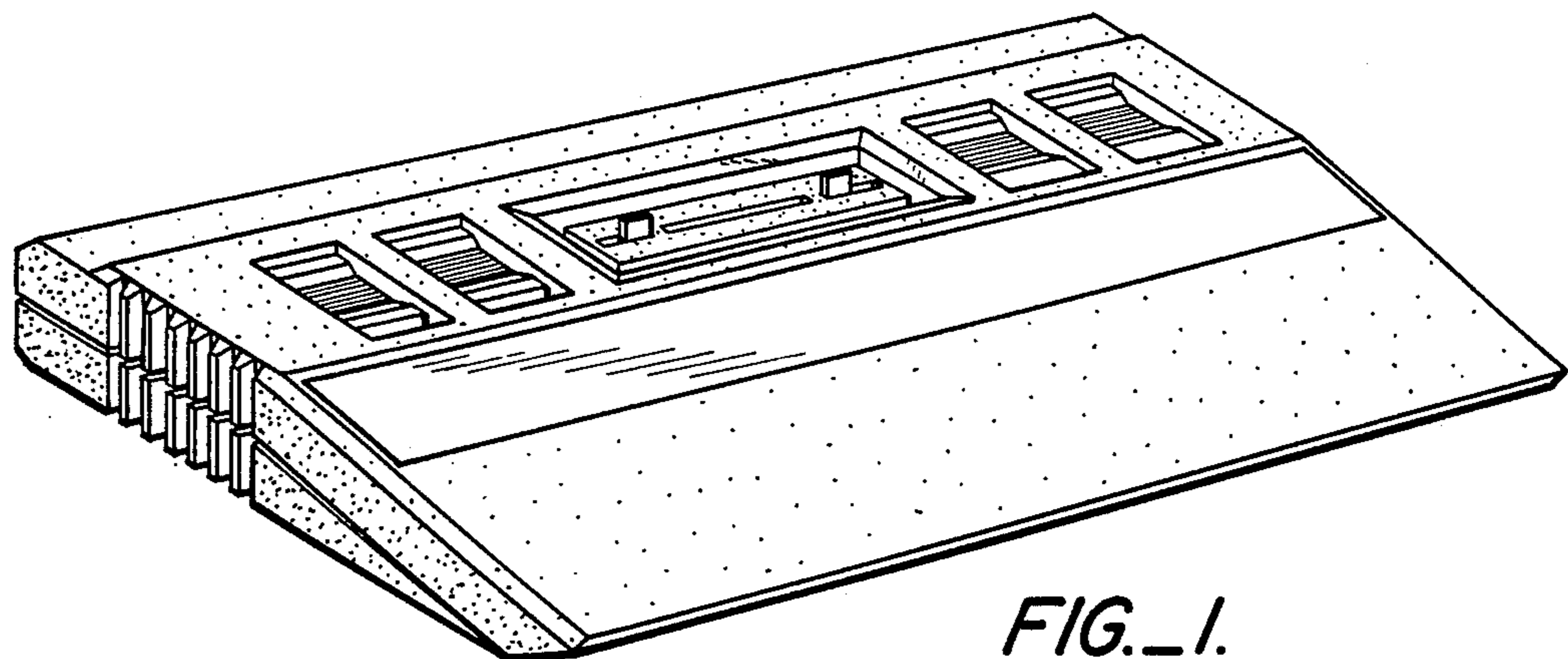


FIG. 1.

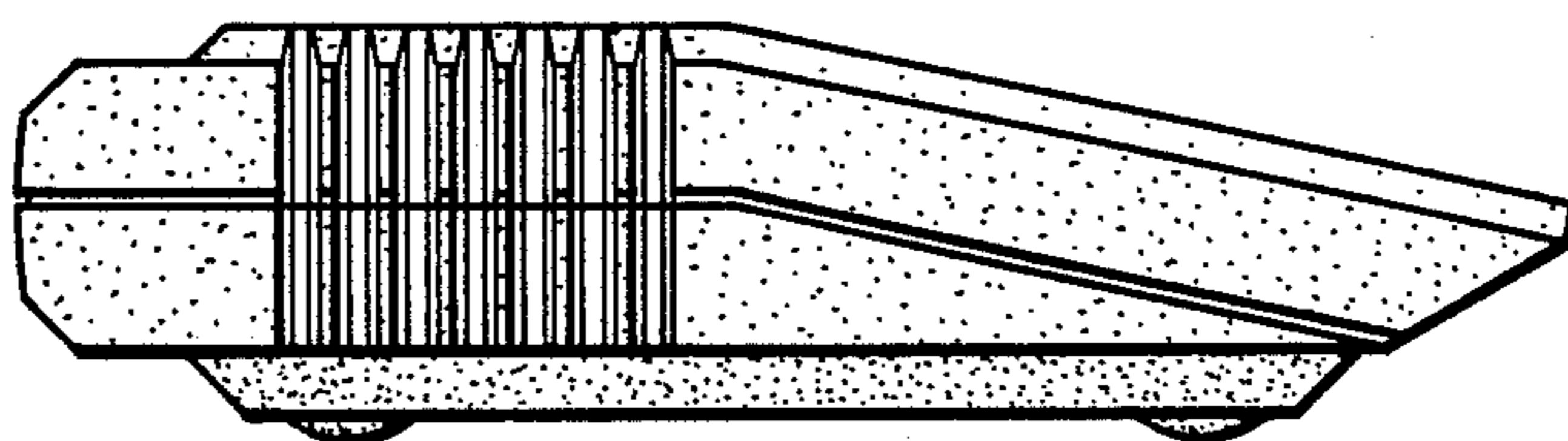


FIG. 2.

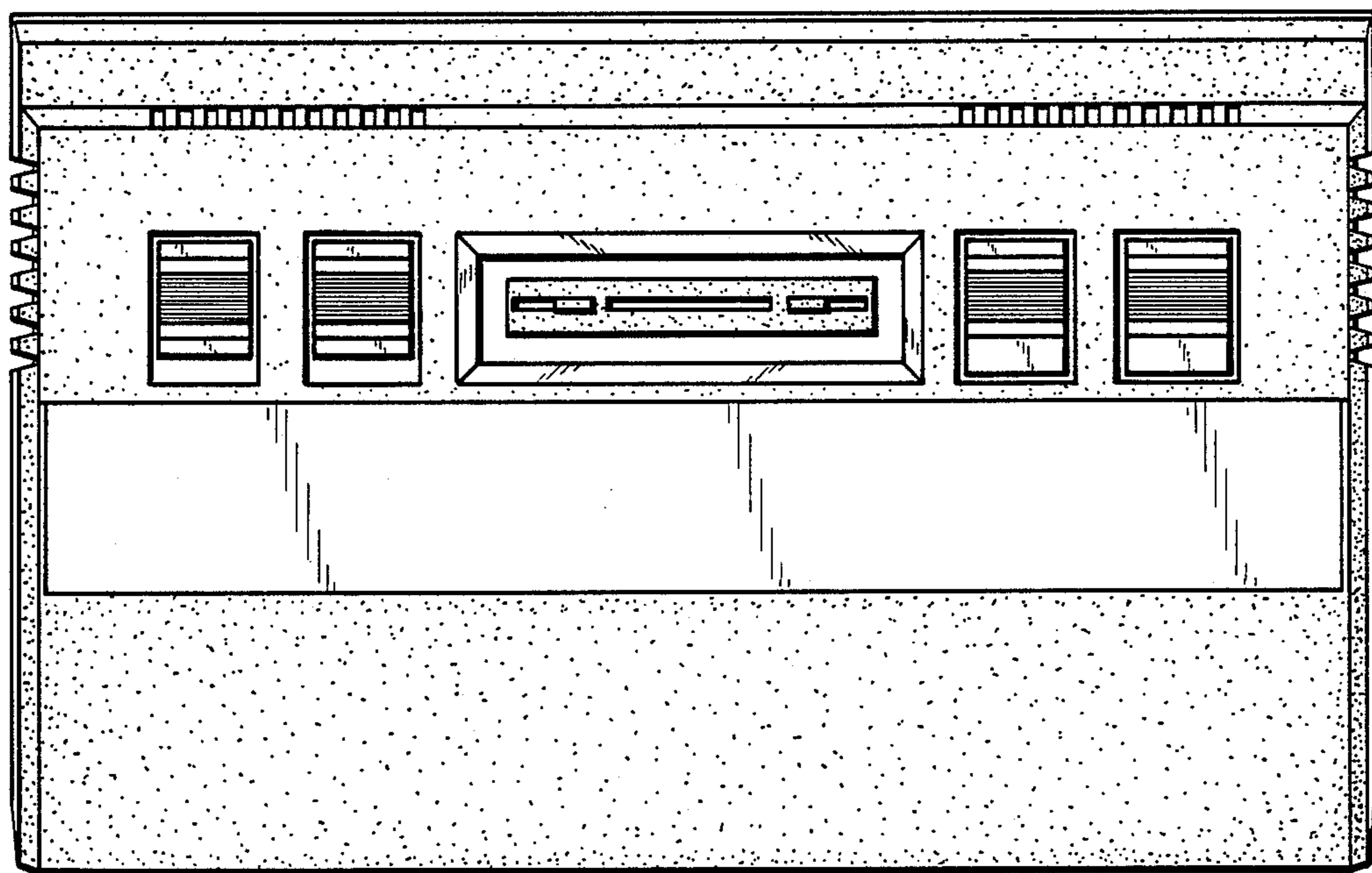


FIG. 3.

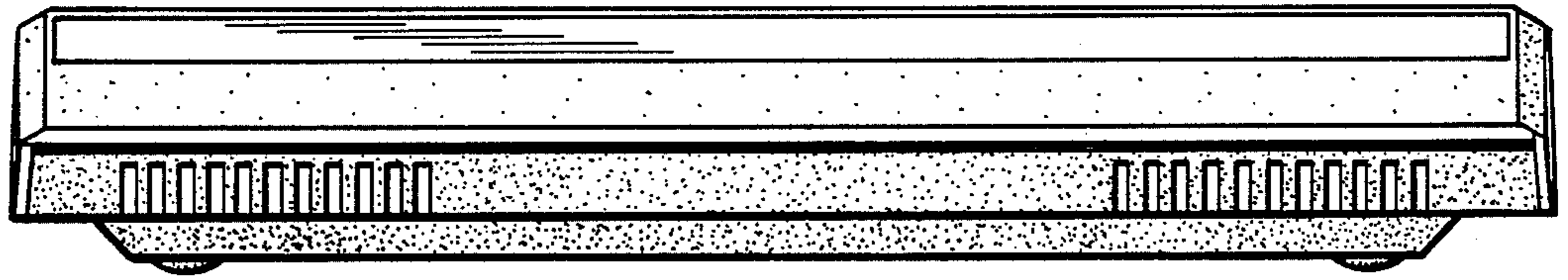


FIG. 4.

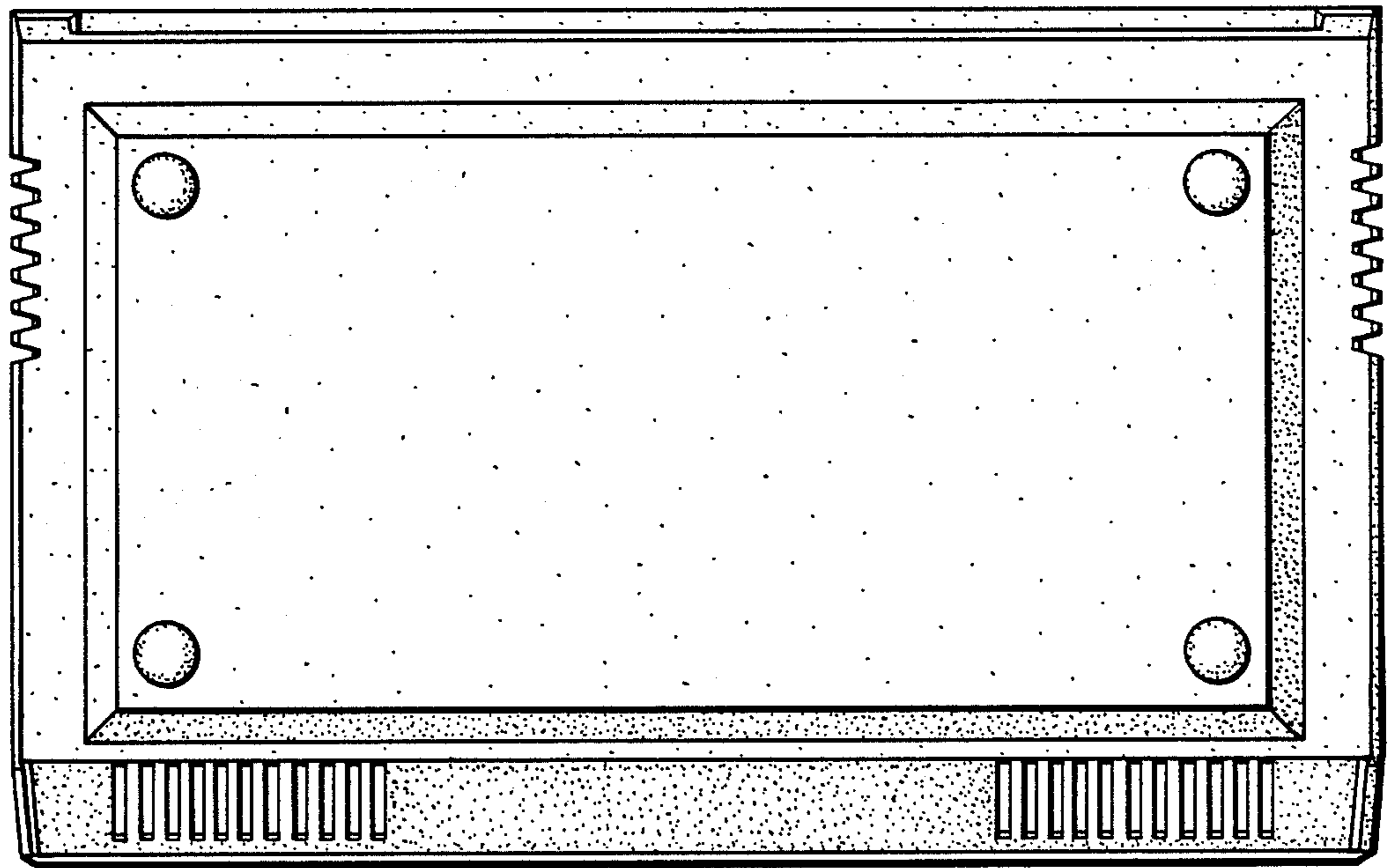


FIG. 5.

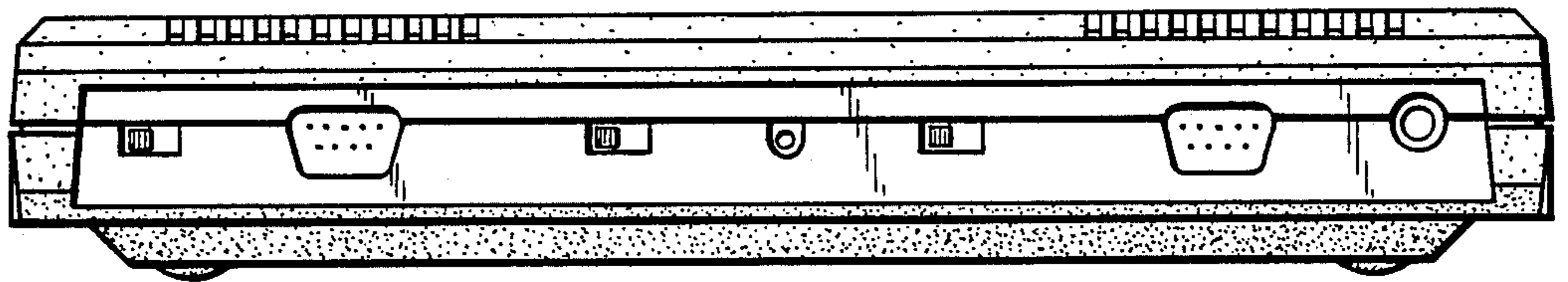


FIG. 6.