

[54] COMBINED COMPUTER COPYHOLDER WITH PAPER CLAMP

[76] Inventor: Mark P. Rossow, 9550 Litzsinger Rd., St. Louis, Mo. 63124

[**] Term: 14 Years

[21] Appl. No.: 909,088

[22] Filed: Sep. 18, 1986

[52] U.S. Cl. D19/91; D19/88

[58] Field of Search D19/88, 90, 91; D20/15; D21/54, 58; D25/74; 248/441, 442.2, 447.2, 451; 40/341, 349, 350, 352

[56] References Cited

U.S. PATENT DOCUMENTS

D. 272,547	2/1984	Gordon	D19/91
1,370,737	3/1921	Furrey	248/442.2
3,081,739	3/1963	Mendels	40/352
3,153,400	10/1964	Mendels	40/352

OTHER PUBLICATIONS

Global Business Furniture, ©1985, p. 39, see copyholder (B) upper right hand corner.

Demco, Fall 1985, p. 14, See Hide-A-Way copyholder, lower center.

B. A. Pargh Company, Inc. 1985-86 Fall Winter Catalog, p. 39, see clip on copy holder 36001 upper right.

Primary Examiner—Bruce W. Dunkins

Assistant Examiner—Martha Thompson

[57] CLAIM

The ornamental design for a combined computer copyholder with paper clamp, as shown and described.

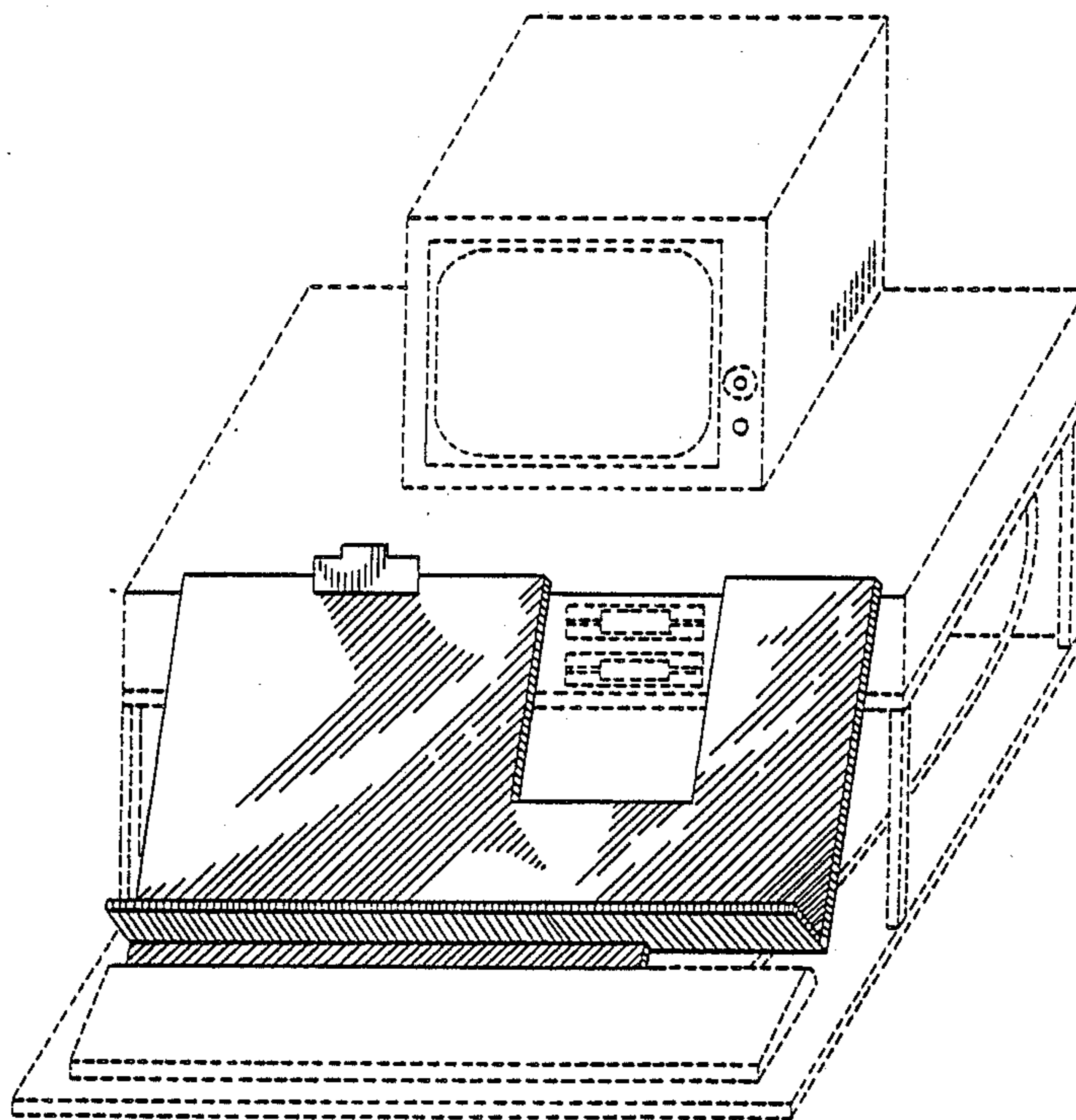
DESCRIPTION

FIG. 1 is a perspective view of a combined computer copyholder with paper clamp showing my new design, wherein portions thereof have been obscured for convenience of illustration;

FIG. 2 is a bottom perspective view; and FIG. 3 is a side elevational view thereof.

The undisclosed rear surface of the combined computer copyholder with paper clamp is conventionally flat and unornamented.

The computer depicted by means of broken lines in FIG. 1 is shown for illustrative purposes only.



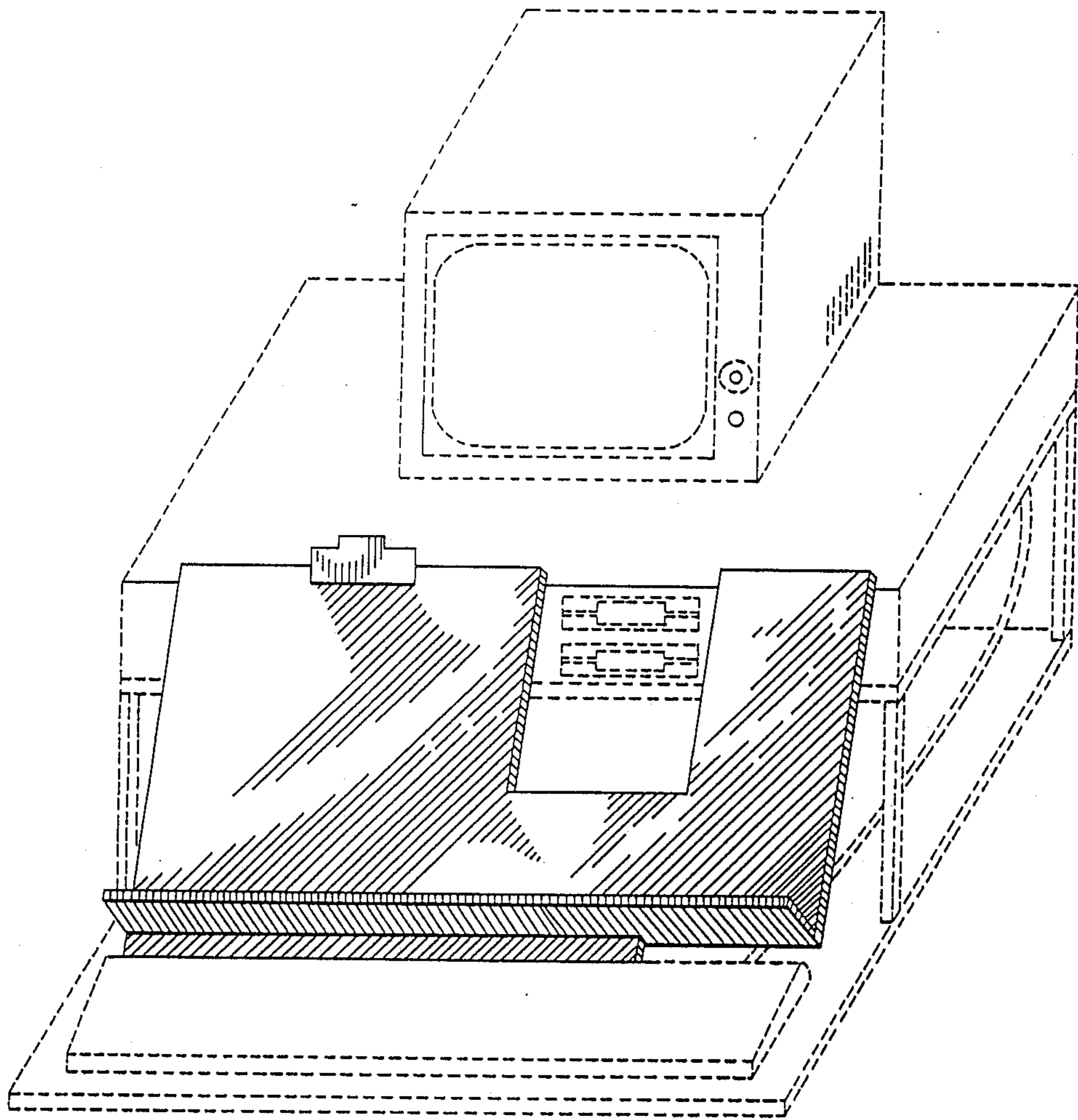


FIG. 1.

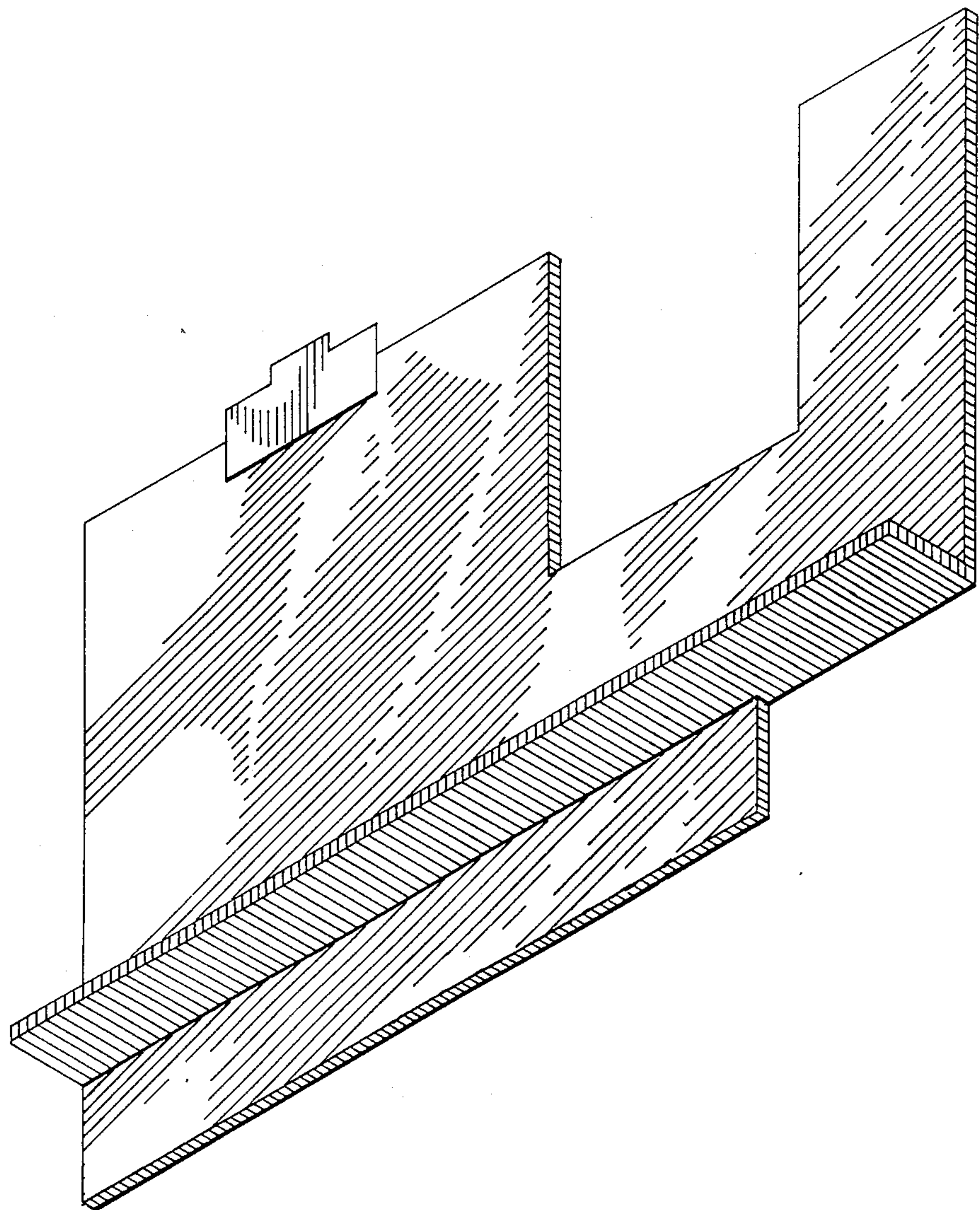


FIG. 2.

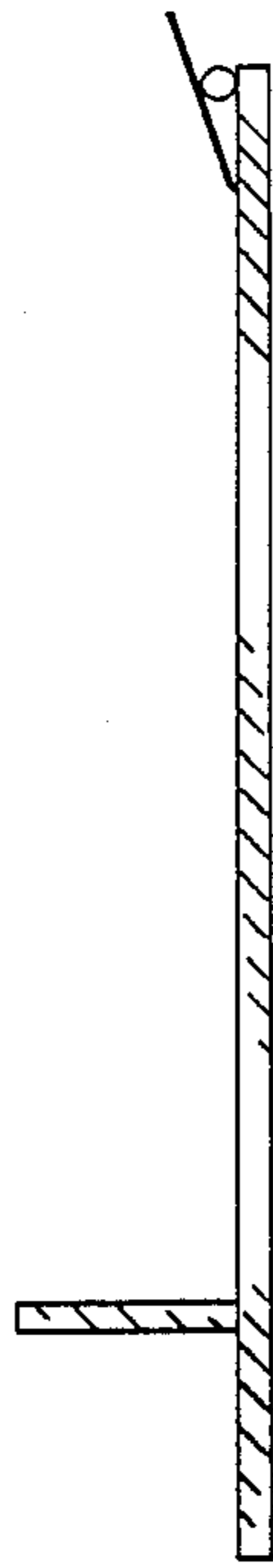


FIG. 3.