

[54] DATA PEN

4,404,643 9/1983 Ojima et al. 401/195
4,541,630 9/1985 Dirks 401/195

[76] Inventor: Robert S. K. Li, 2007 Shun Tak Centre, 20/F, 200 Connaught Road, Central, Hong Kong

Primary Examiner—Bruce W. Dunkins
Assistant Examiner—Martha Thompson
Attorney, Agent, or Firm—Irvin A. Lavine

[**] Term: 14 Years

[57] CLAIM

[21] Appl. No.: 915,921

The ornamental design for a data pen, as shown.

[22] Filed: Oct. 6, 1986

DESCRIPTION

[52] U.S. Cl. D19/36; D19/43; D19/41

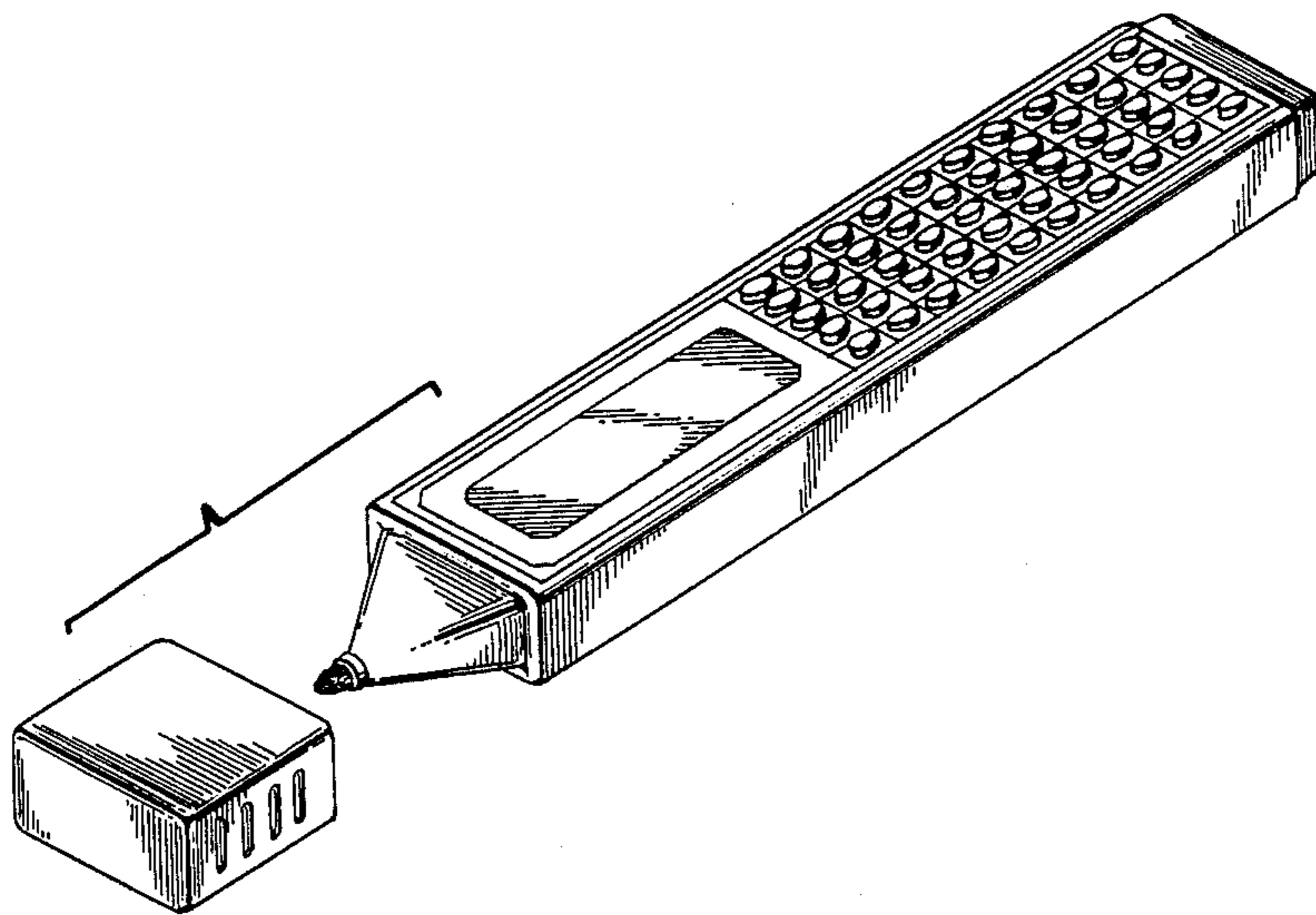
[58] Field of Search D19/35, 36, 41-51, D19/53-58, 65, 77, 81, 83, 84, 85; 401/195, 261, 262, 52, 6

FIG. 1 is a perspective view of a data pen, in an exploded condition, showing my new design;
FIG. 2 is a side elevational view of the data pen in a closed condition, the opposite side being a mirror image thereof;
FIG. 3 is a top plan view;
FIG. 4 is an end view taken from the left end of FIG. 3;
FIG. 5 is an end view taken from the right end of FIG. 3;
FIG. 6 is a bottom plan view; and
FIG. 7 is a top plan view with the cap member removed for convenience of illustration.

[56] References Cited

U.S. PATENT DOCUMENTS

- D. 268,935 5/1983 Horntrich D19/48
- D. 284,199 6/1986 Li D10/71
- 4,007,364 2/1977 Ojima et al. 401/195
- 4,128,889 12/1978 Ojima et al. 401/195



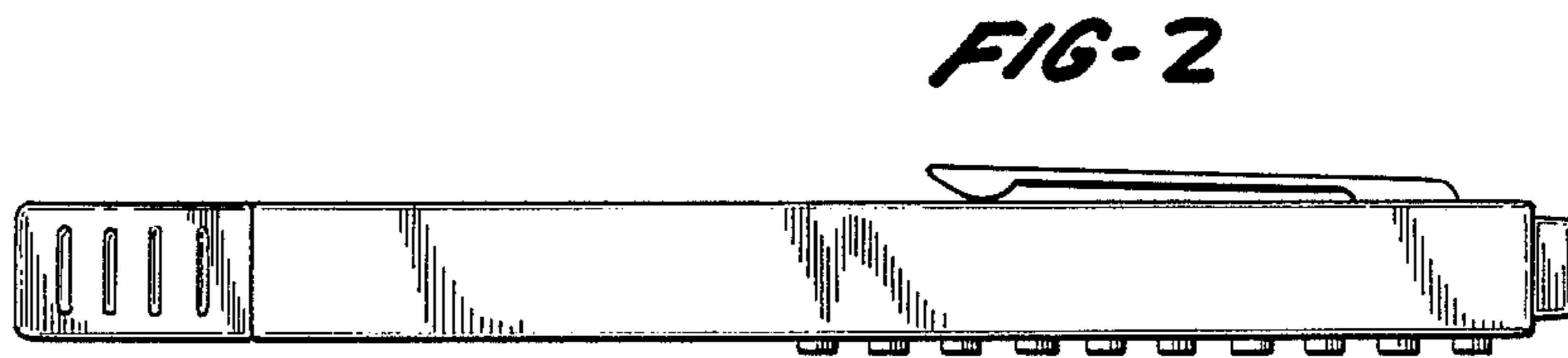
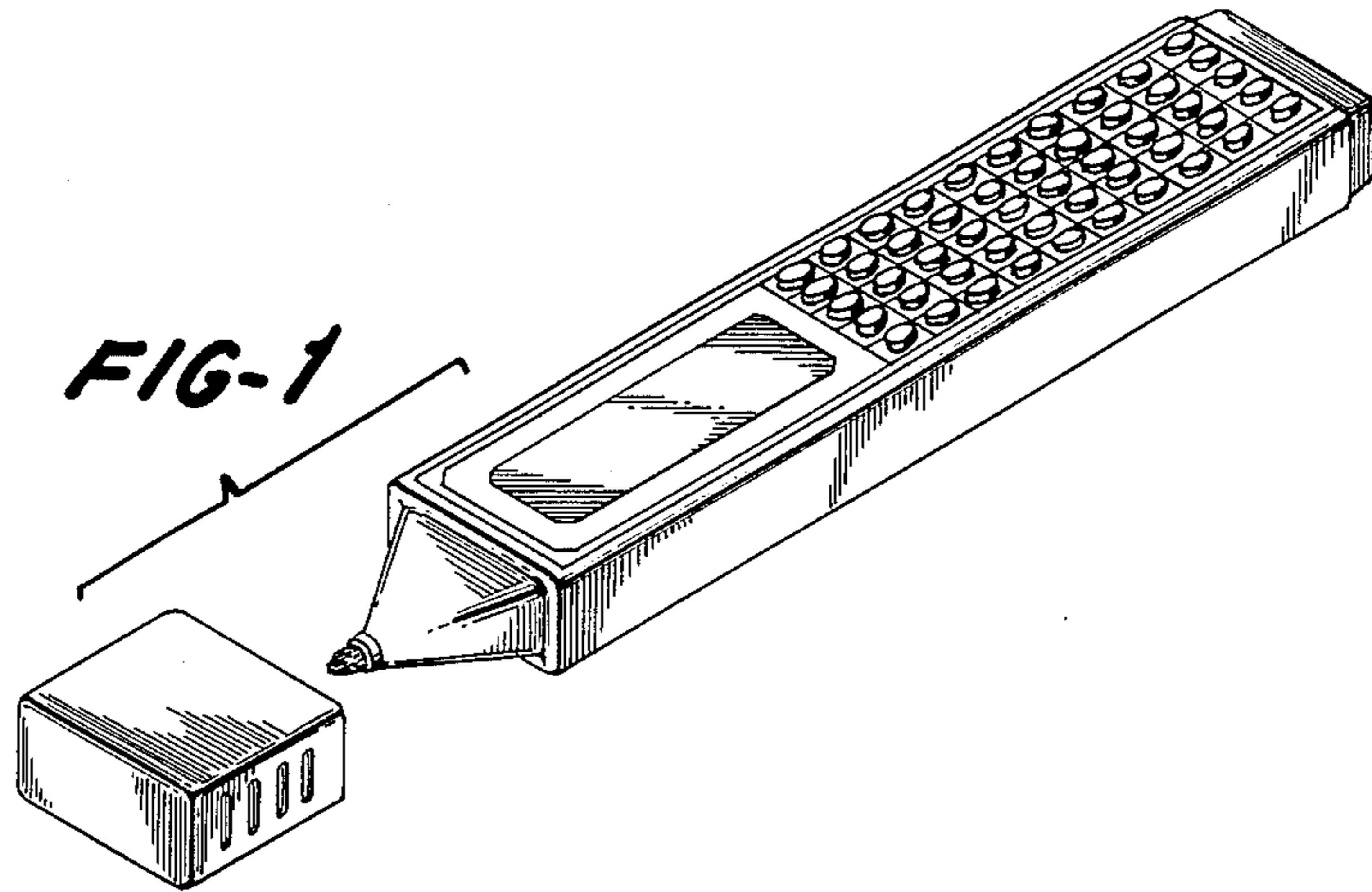


FIG-4

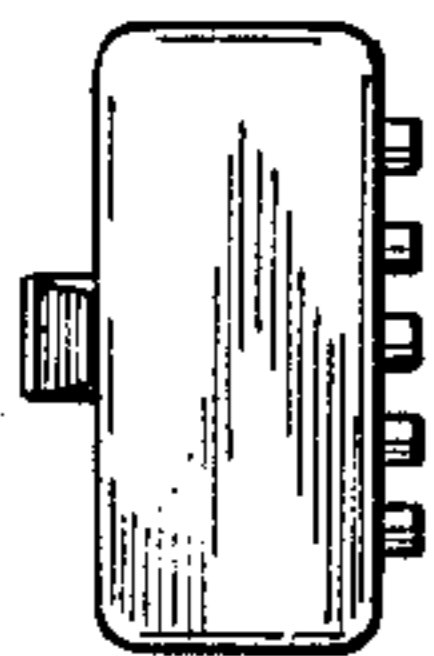


FIG-3

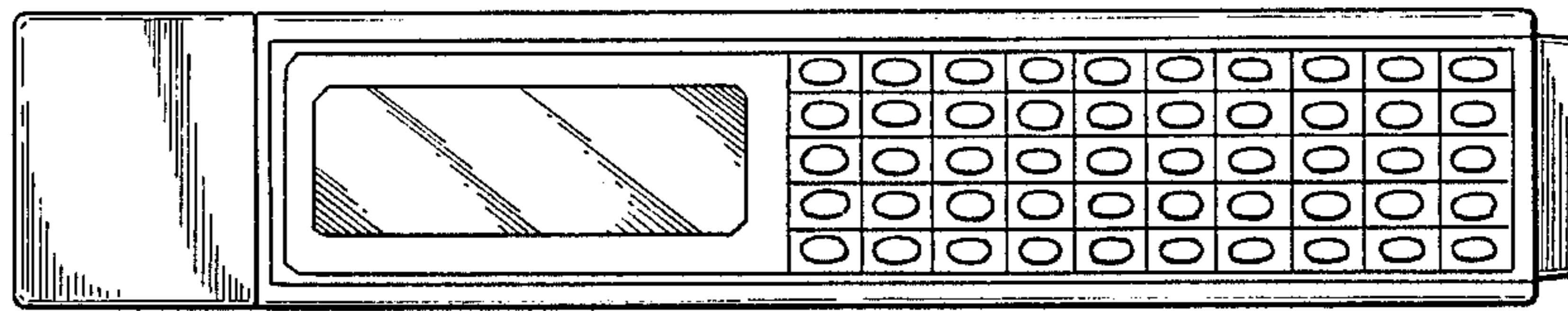


FIG-5

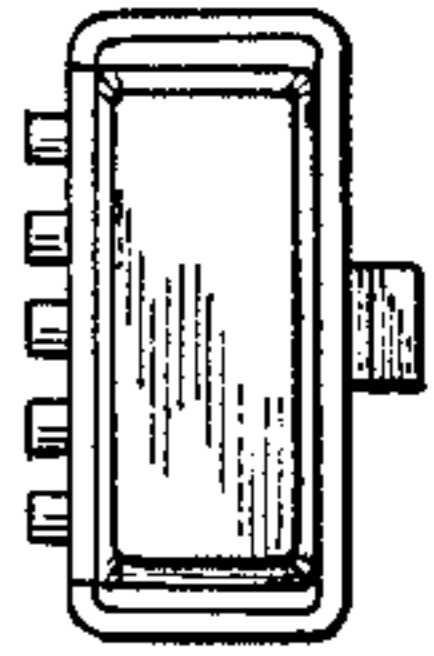


FIG-6

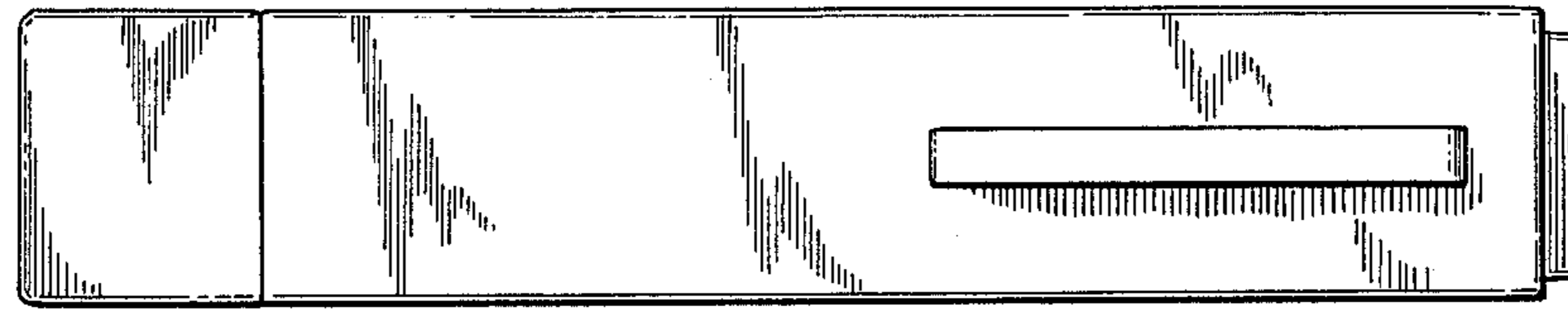


FIG-7

