

[54] TILT PLATE ASSEMBLY FOR PHOTOGRAPHIC AND TELEVISION CAMERAS

[75] Inventor: Richard S. Cavdek, Sunland, Calif.

[73] Assignee: Otto Nemenz International, Hollywood, Calif.

[\*\*] Term: 14 Years

[21] Appl. No.: 947,546

[22] Filed: Dec. 29, 1986

[52] U.S. Cl. .... D16/242; 354/293

[58] Field of Search ..... 248/178, 595; 354/293; D16/242, 245; D14/239, 299

[56] References Cited

U.S. PATENT DOCUMENTS

D. 152,540	2/1949	Heward	.....	D16/242
D. 226,732	4/1973	Pollard	.....	D16/245
904,613	11/1908	Hatt	.....	354/293
974,769	11/1910	Hoff	.....	248/595
1,787,309	12/1930	Goldbeck	.....	354/293
1,971,486	8/1934	Jennings et al.	.....	354/293
2,401,041	5/1946	Belau	.....	248/178
2,567,068	9/1951	Halmer	.....	354/293
4,083,480	4/1978	Lee et al.	.....	354/293

FOREIGN PATENT DOCUMENTS

2457935	8/1975	Fed. Rep. of Germany	.....	248/178
---------	--------	----------------------	-------	---------

OTHER PUBLICATIONS

Otto Nemenz Intl. Prior Design No. 1, (2 Photos).  
Otto Nemenz Intl. Prior Design No. 2, (2 Photos).  
Cinenova Mfg. Inc., (Canada), Prior Design, (2 Photos).

Primary Examiner—Nelson C. Holtje  
Assistant Examiner—Caron D. Veynar  
Attorney, Agent, or Firm—John E. Wagner

[57] CLAIM

The ornamental design for a tilt plate assembly for photographic and television cameras, as shown and described.

DESCRIPTION

FIG. 1 is a top plan view of a tilt plate assembly for photographic and television cameras showing my new design;  
FIG. 2 is a bottom plan view thereof;  
FIG. 3 is a right side elevational view thereof, the left side view being a mirror image thereof;  
FIG. 4 is a front elevational view thereof;  
FIG. 5 is a rear elevational view thereof;  
FIG. 6 is a rear elevational view with the tilt plate elevated;  
FIG. 7 is a front elevational view with the tilt plate elevated;  
FIG. 8 is a side elevational view thereof with the tilt plate elevated; and  
FIG. 9 is a top plan view thereof with the tilt plate elevated.

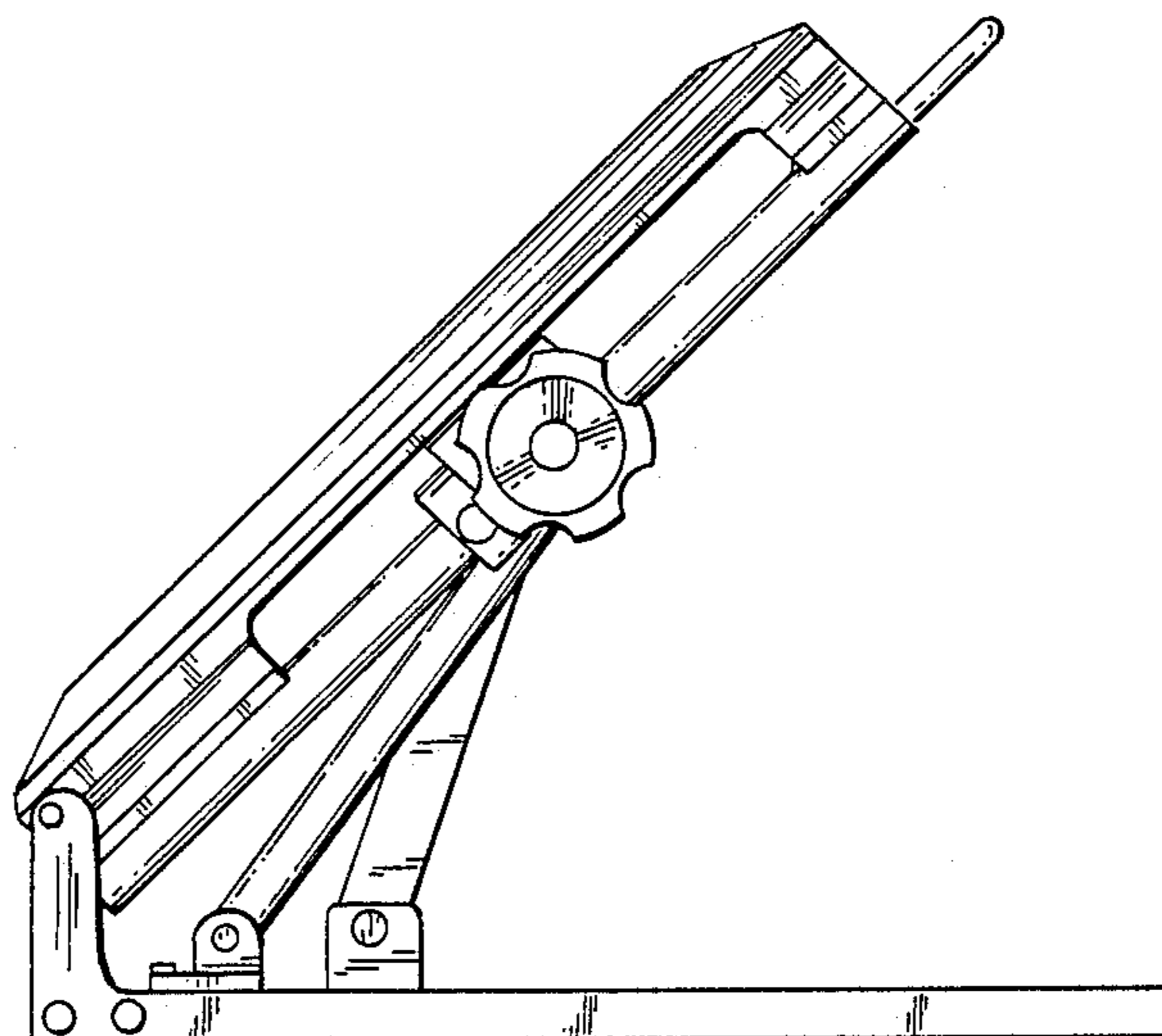


FIG. 1

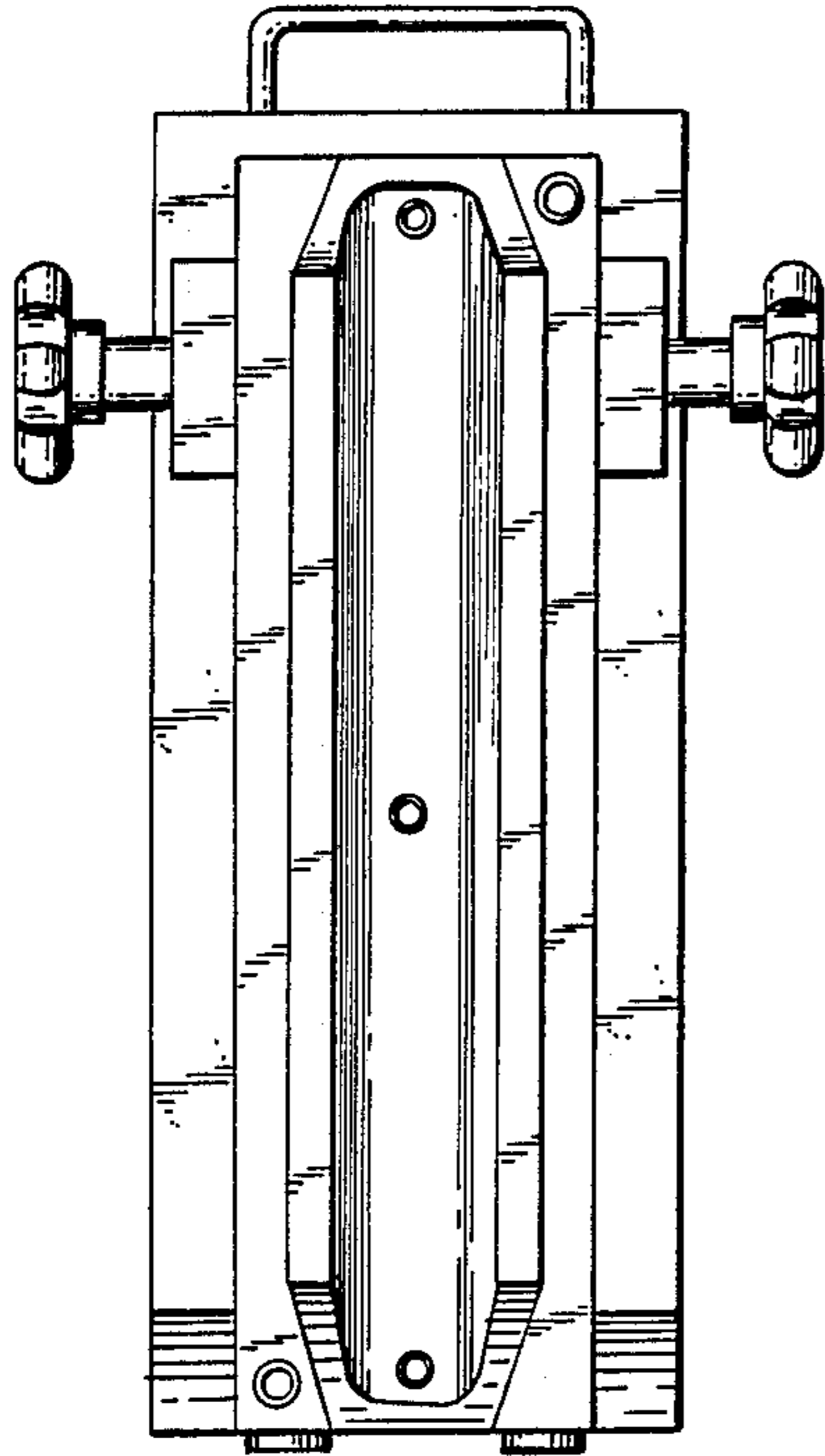


FIG. 2

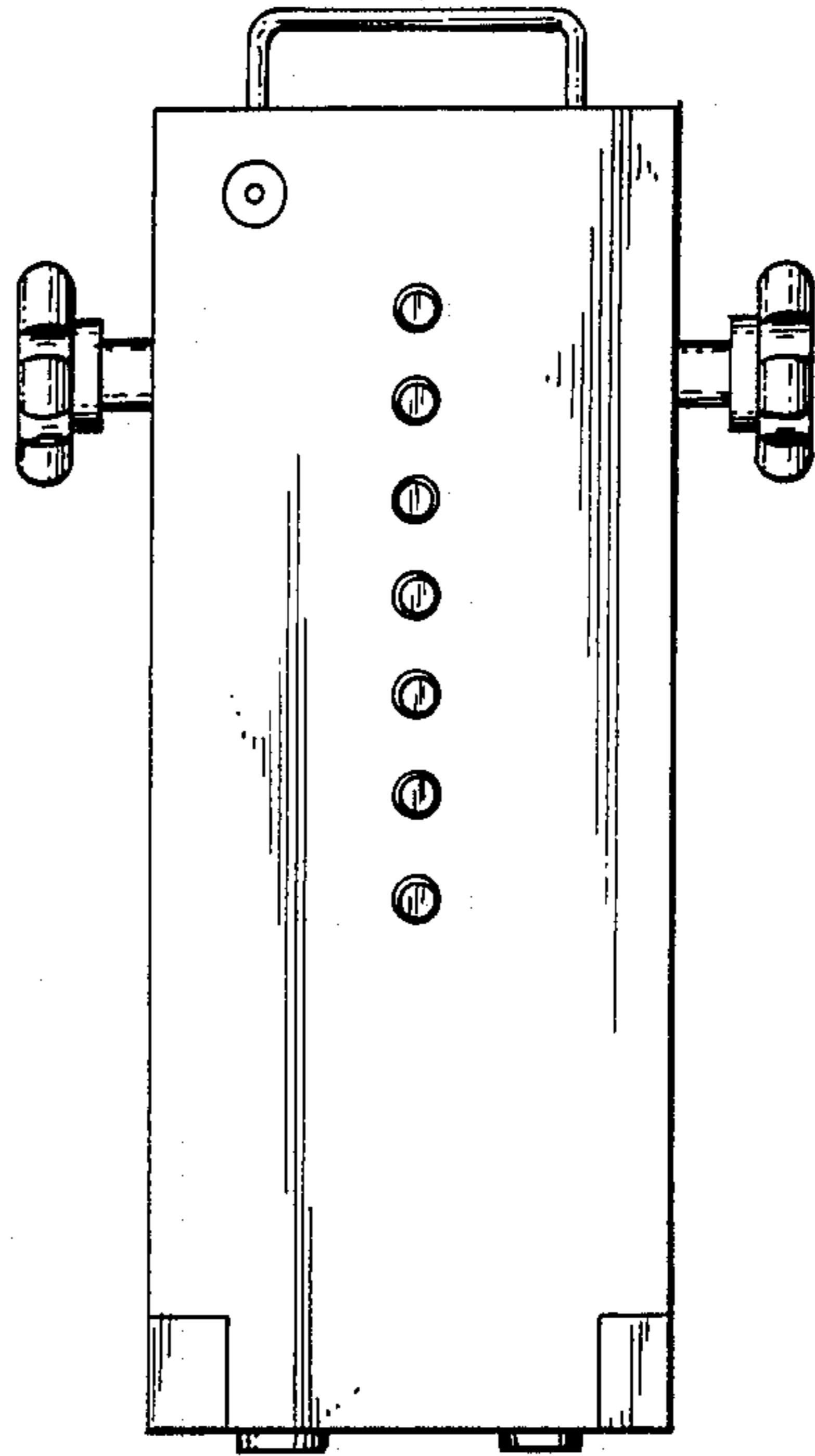


FIG. 3

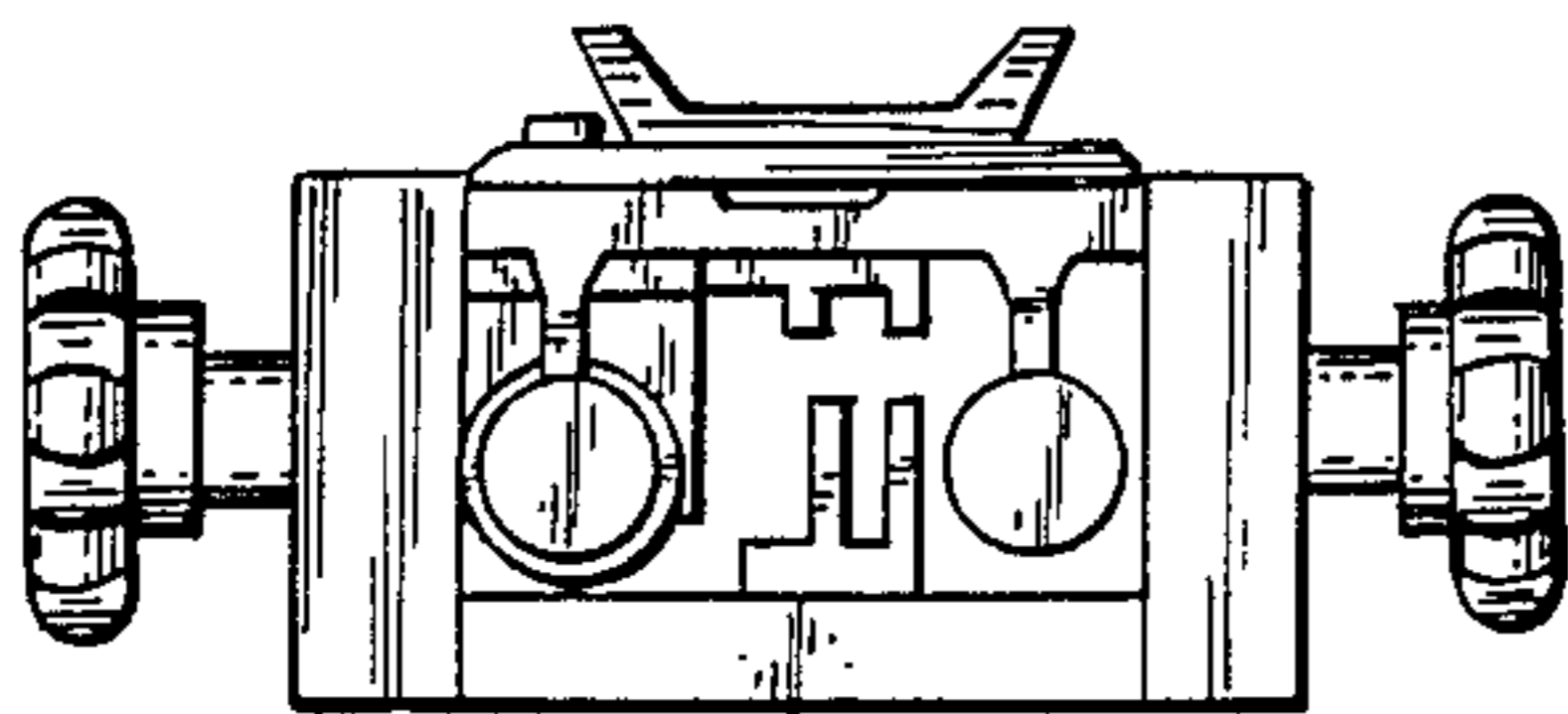
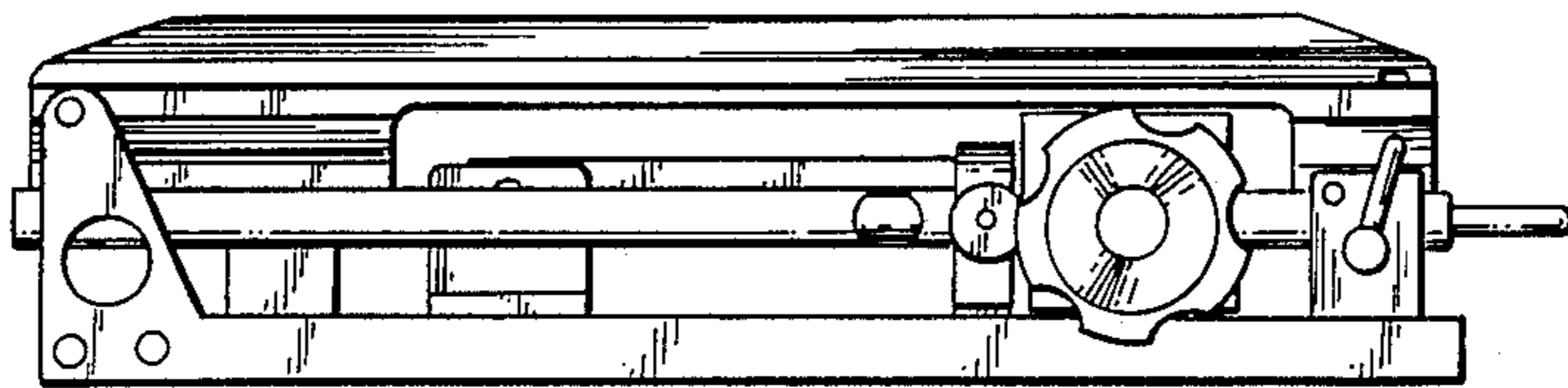


FIG. 4

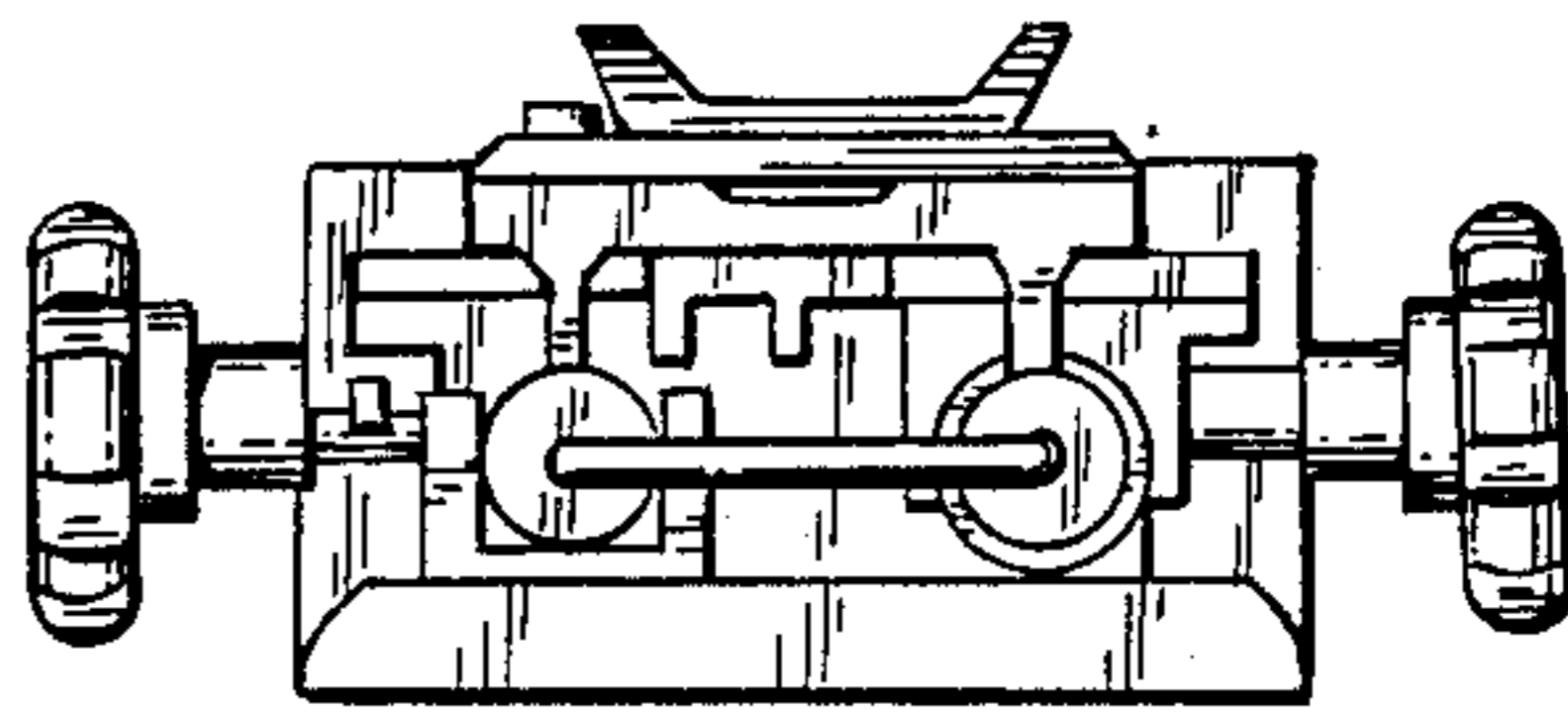


FIG. 5

FIG. 6

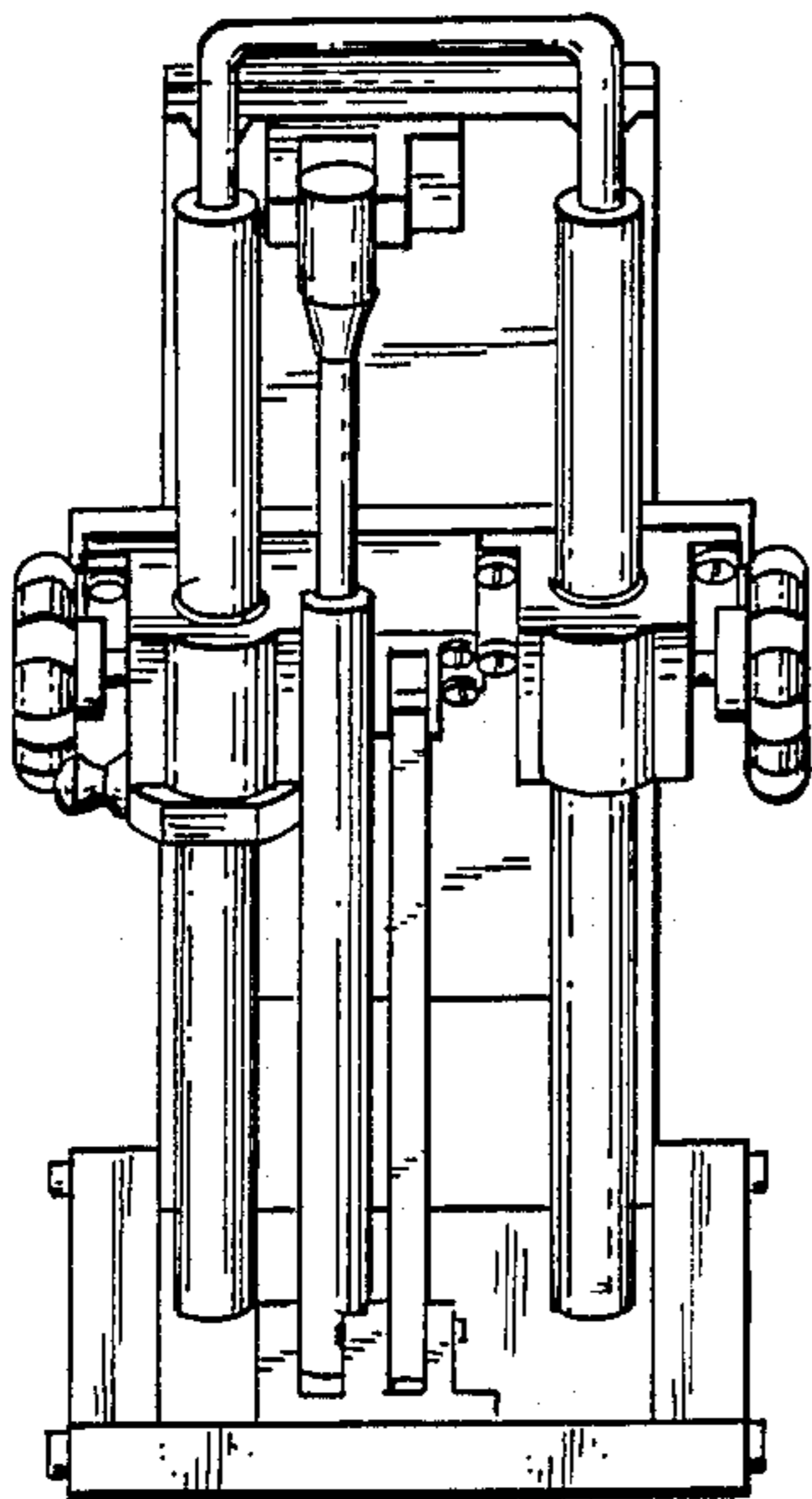


FIG. 7

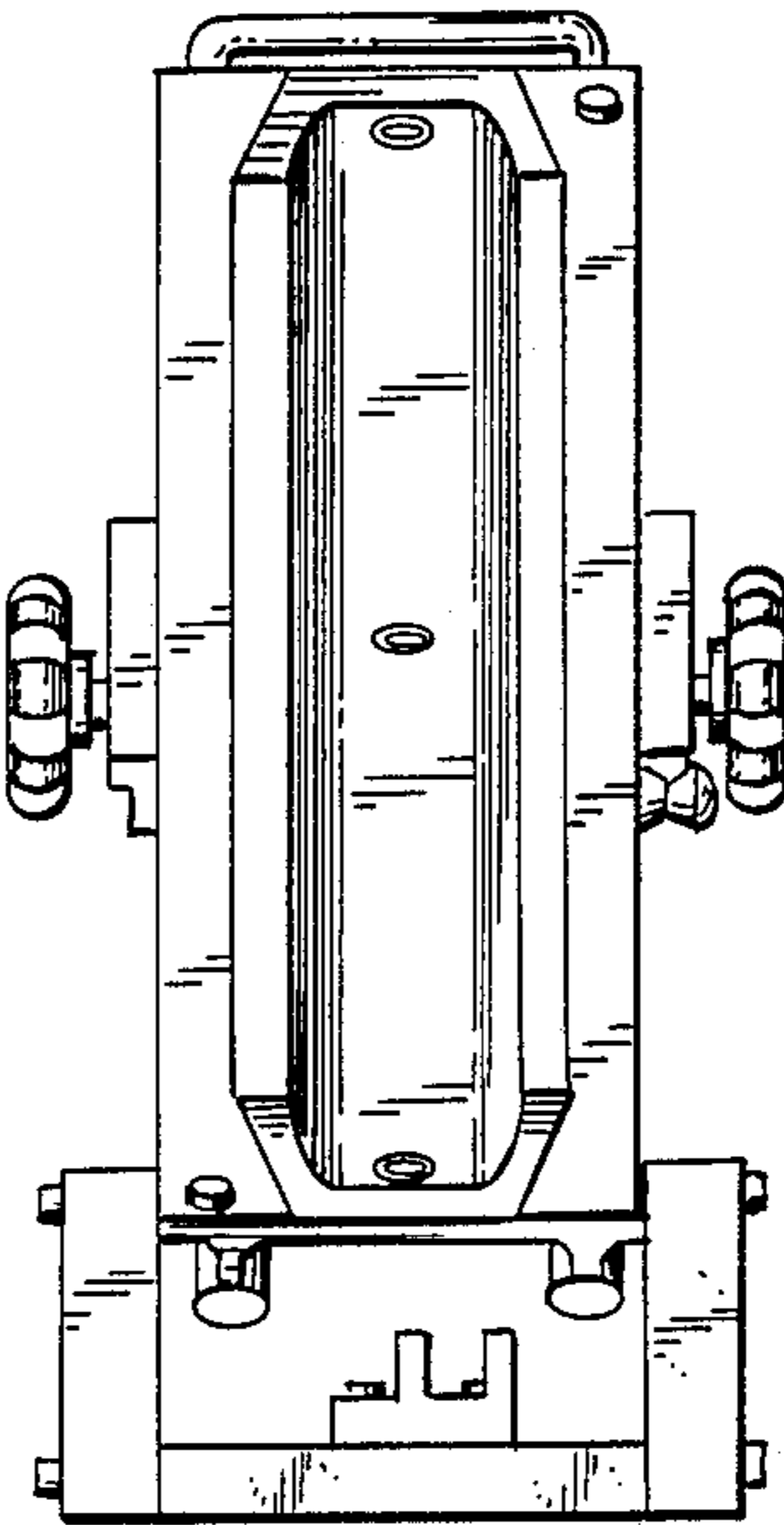


FIG. 8

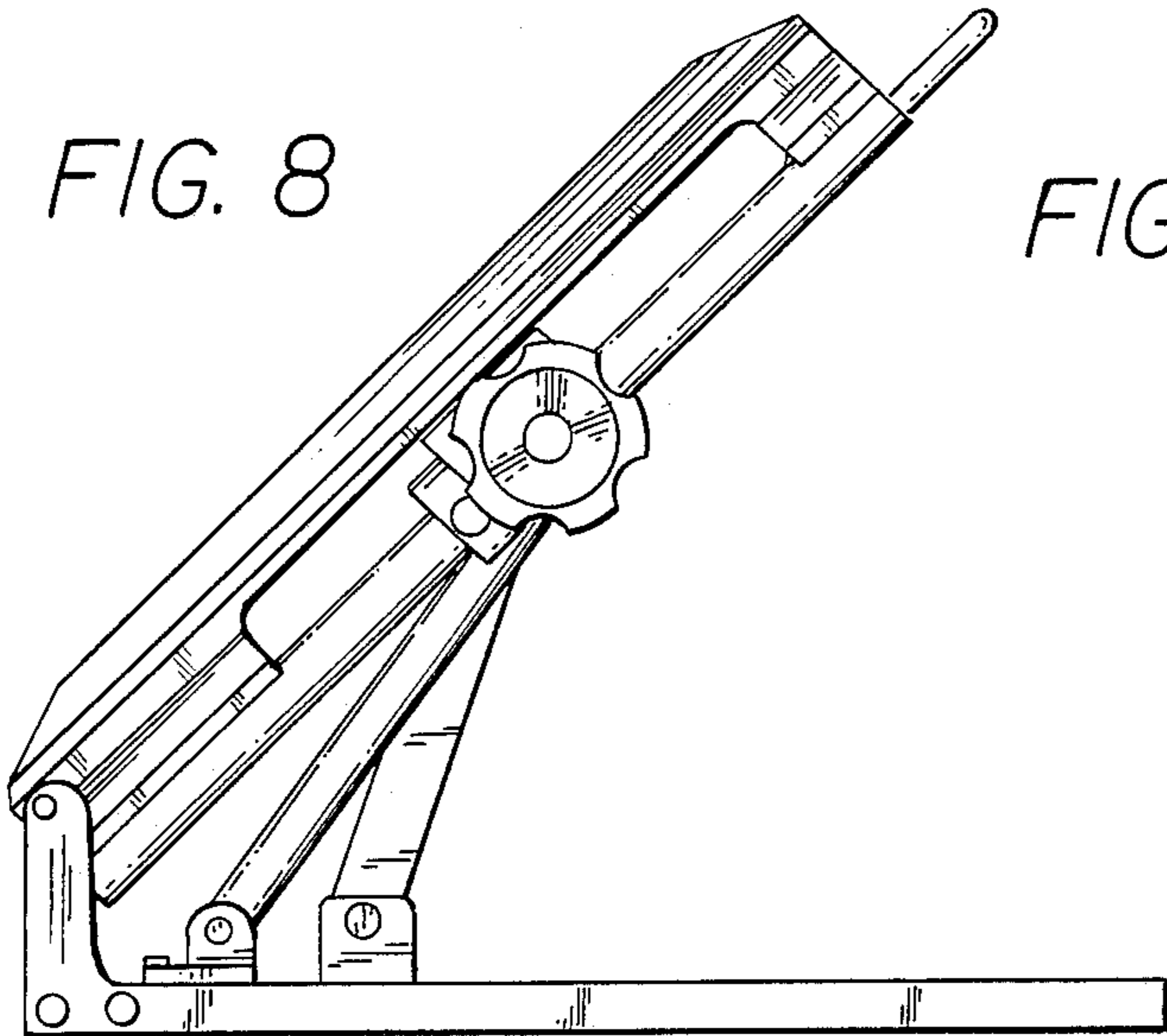


FIG. 9

