

[54] SEWING MACHINE

[56] References Cited

[75] Inventors: Tetsuya Aono, Ibaraki; Ichirou Shibayama, Kobe, both of Japan

U.S. PATENT DOCUMENTS

- D. 217,511 5/1970 Zanuso et al. D15/68
- D. 289,877 5/1987 Yoneda D15/69
- D. 290,367 6/1987 Aono D15/68

[73] Assignee: Maruzen Sewing Machine Co., Ltd., Osaka, Japan

Primary Examiner—Bruce W. Dunkins
Assistant Examiner—Ruth Takemoto
Attorney, Agent, or Firm—Lowe, Price, LeBlanc, Becker & Shur

[**] Term: 14 Years

[57] CLAIM

[21] Appl. No.: 21,314

The ornamental design for a sewing machine, as shown.

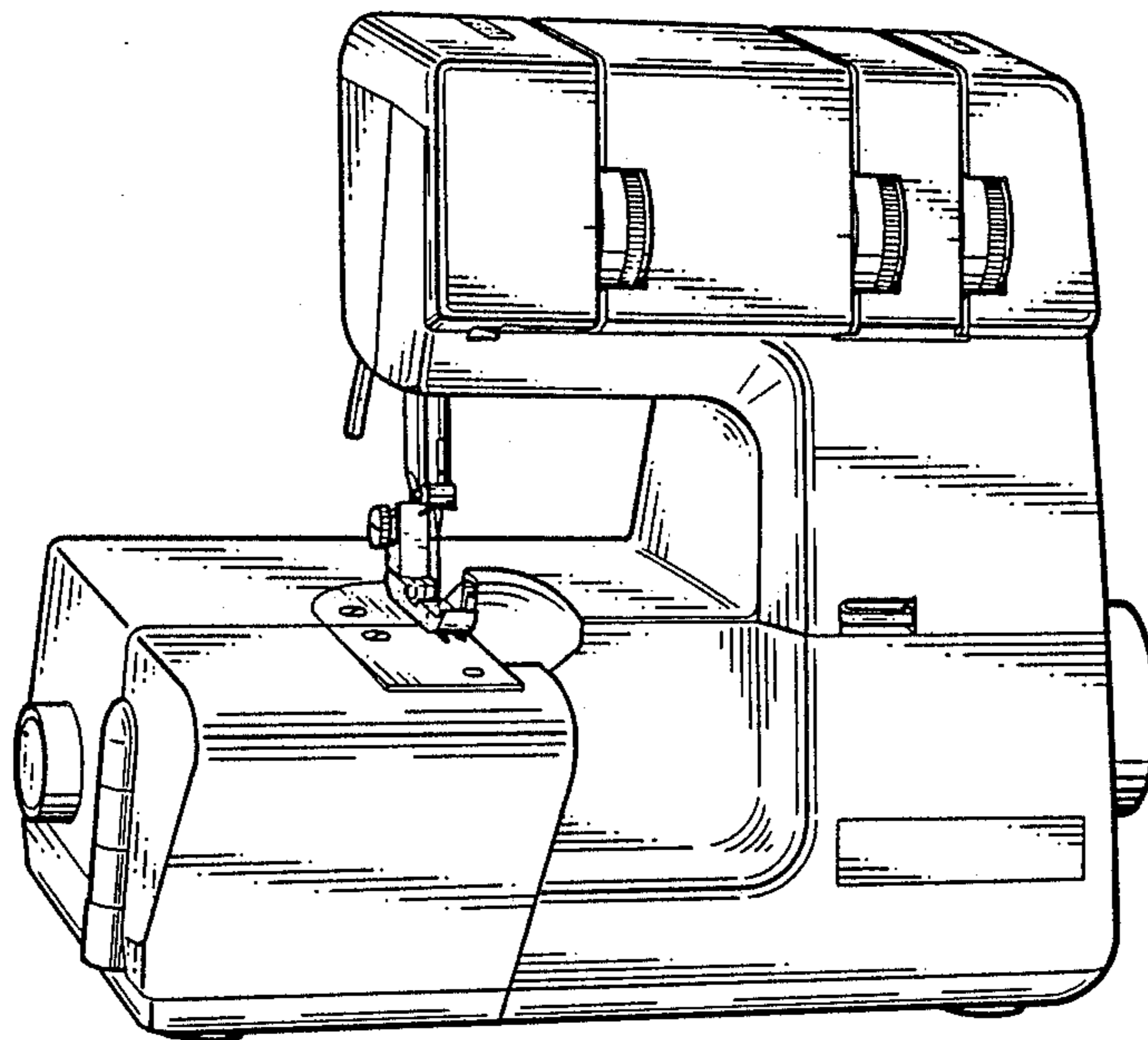
[22] Filed: Mar. 3, 1987

DESCRIPTION

[30] Foreign Application Priority Data

- Sep. 3, 1986 [JP] Japan 61-34679
- [52] U.S. Cl. D15/70
- [58] Field of Search D15/66, 68-76; 112/63, 258-261

FIG. 1 is a top plan view of a sewing machine showing our new design;
FIG. 2 is a front elevational view thereof;
FIG. 3 is a bottom plan view thereof;
FIG. 4 is a rear elevational view thereof;
FIG. 5 is a left side elevational view thereof;
FIG. 6 is a right side elevational view thereof; and
FIG. 7 is a front perspective view thereof.



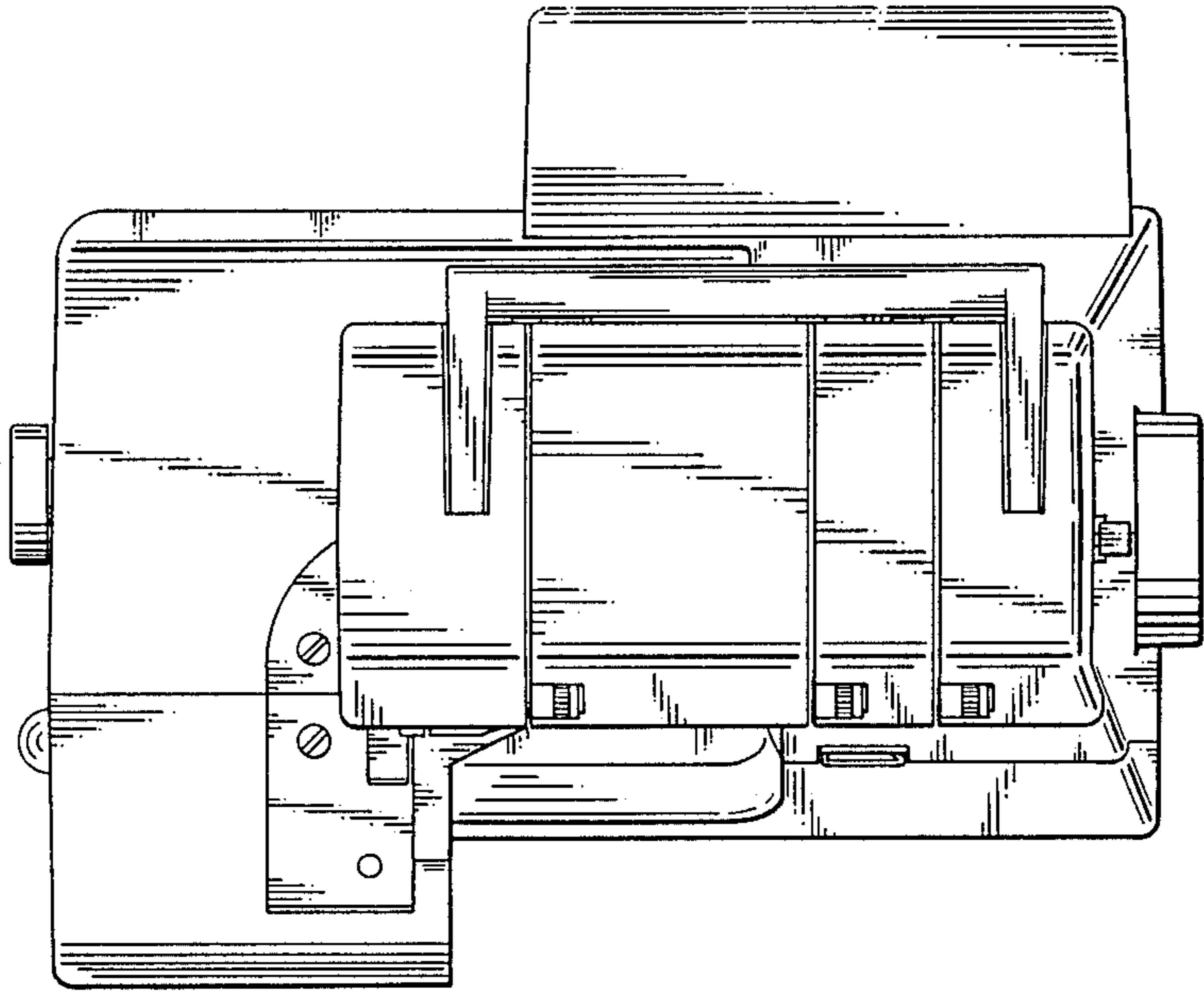


Fig. 1.

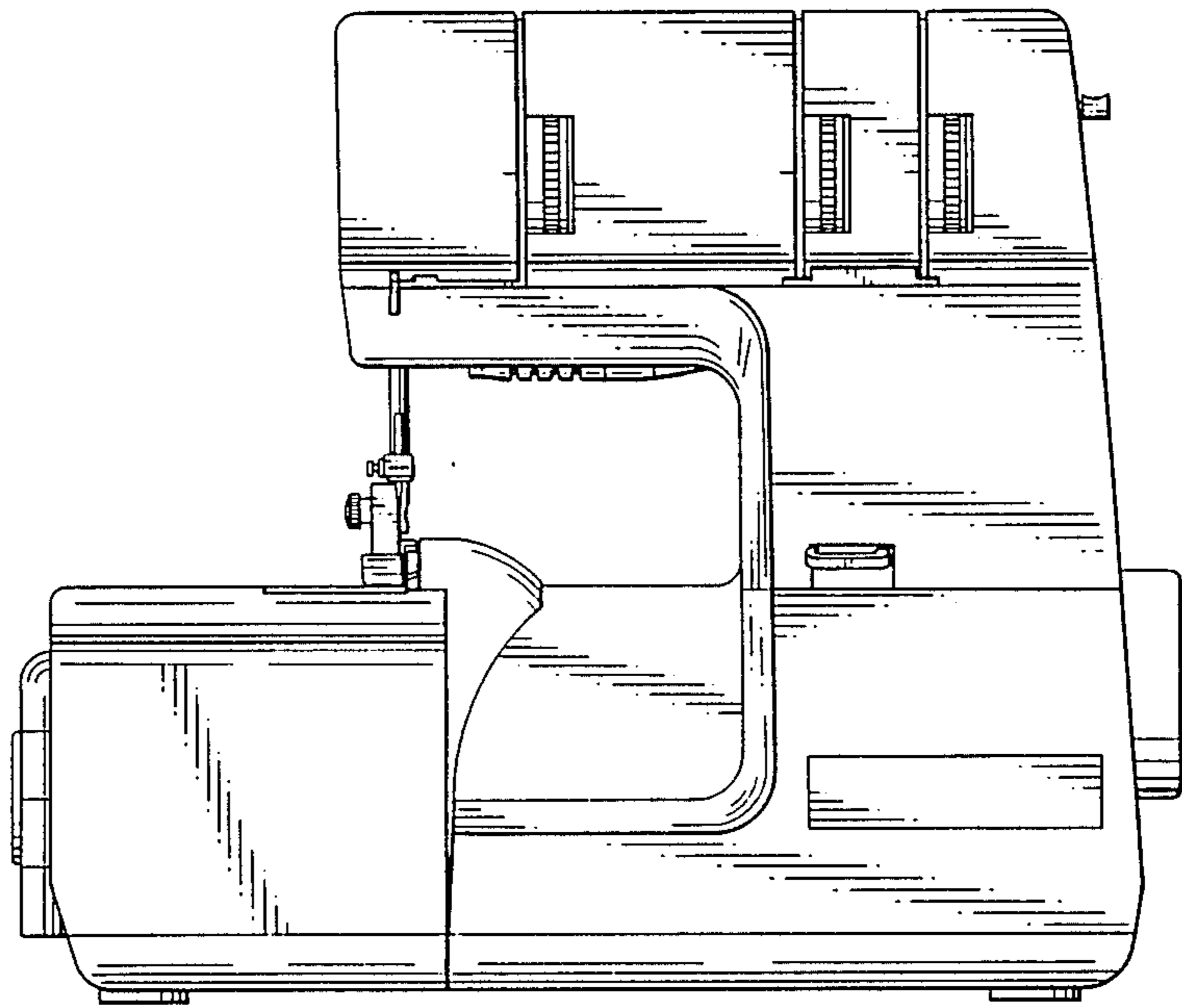


Fig. 2.

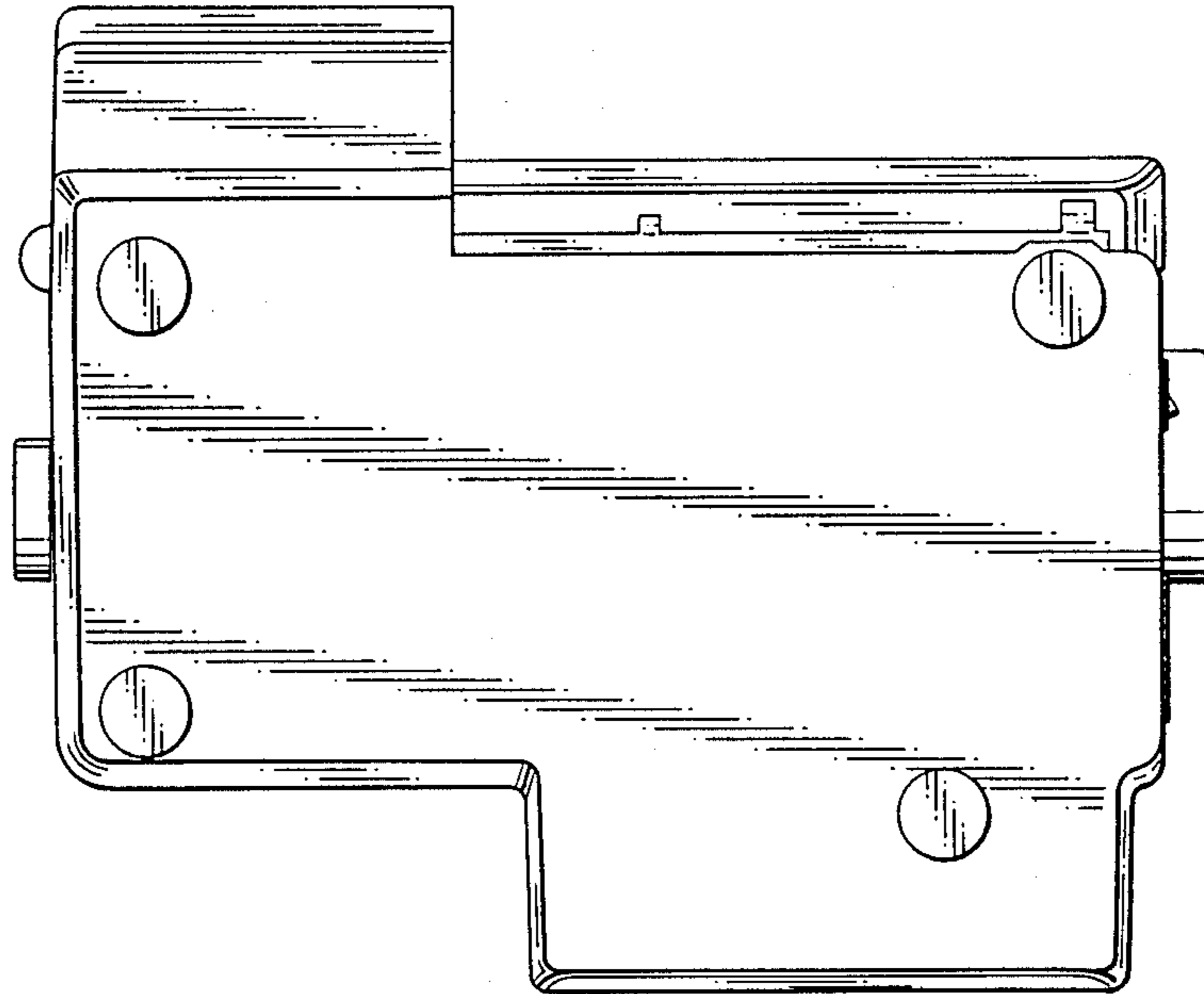


Fig. 3.

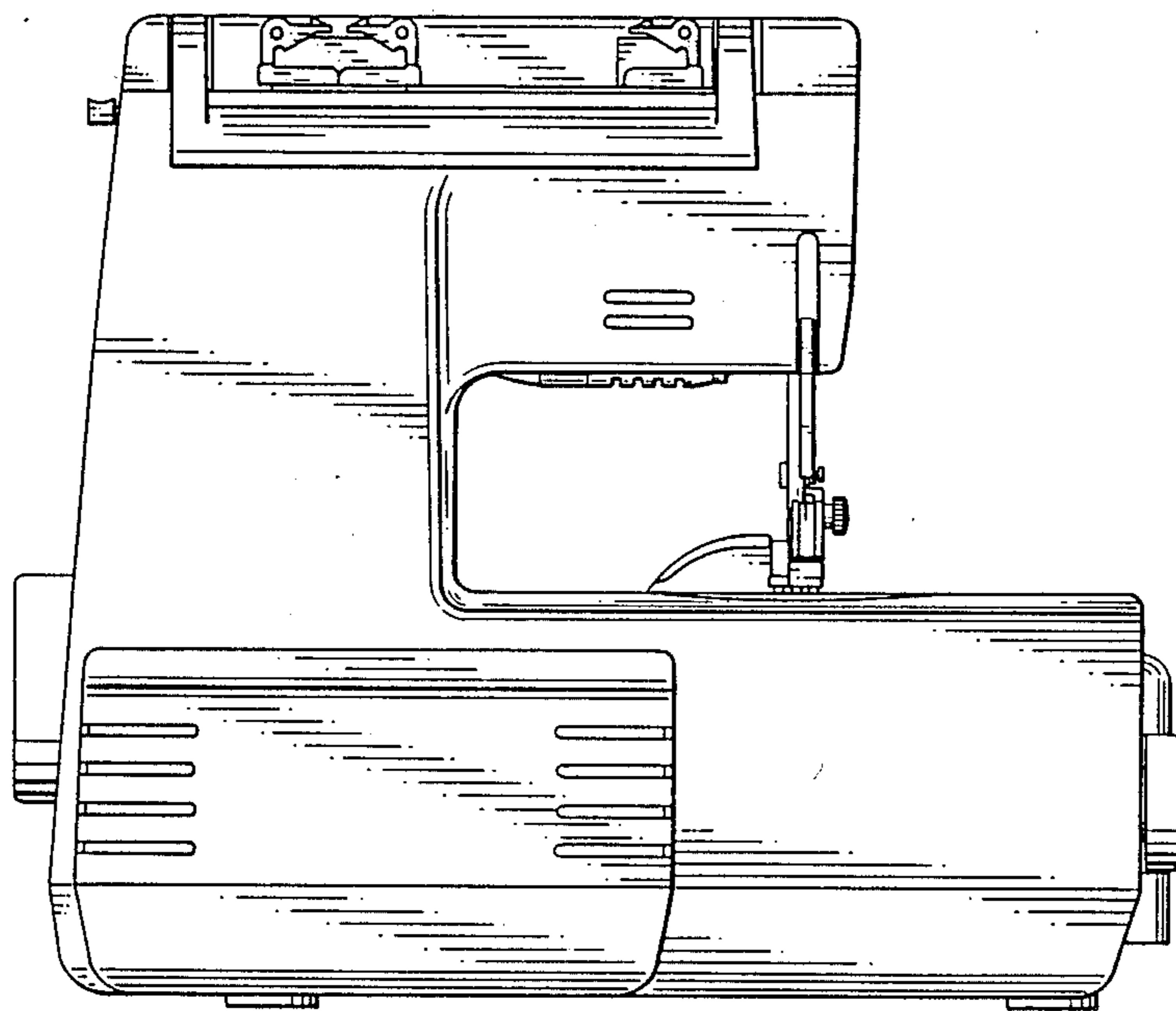


Fig. 4.

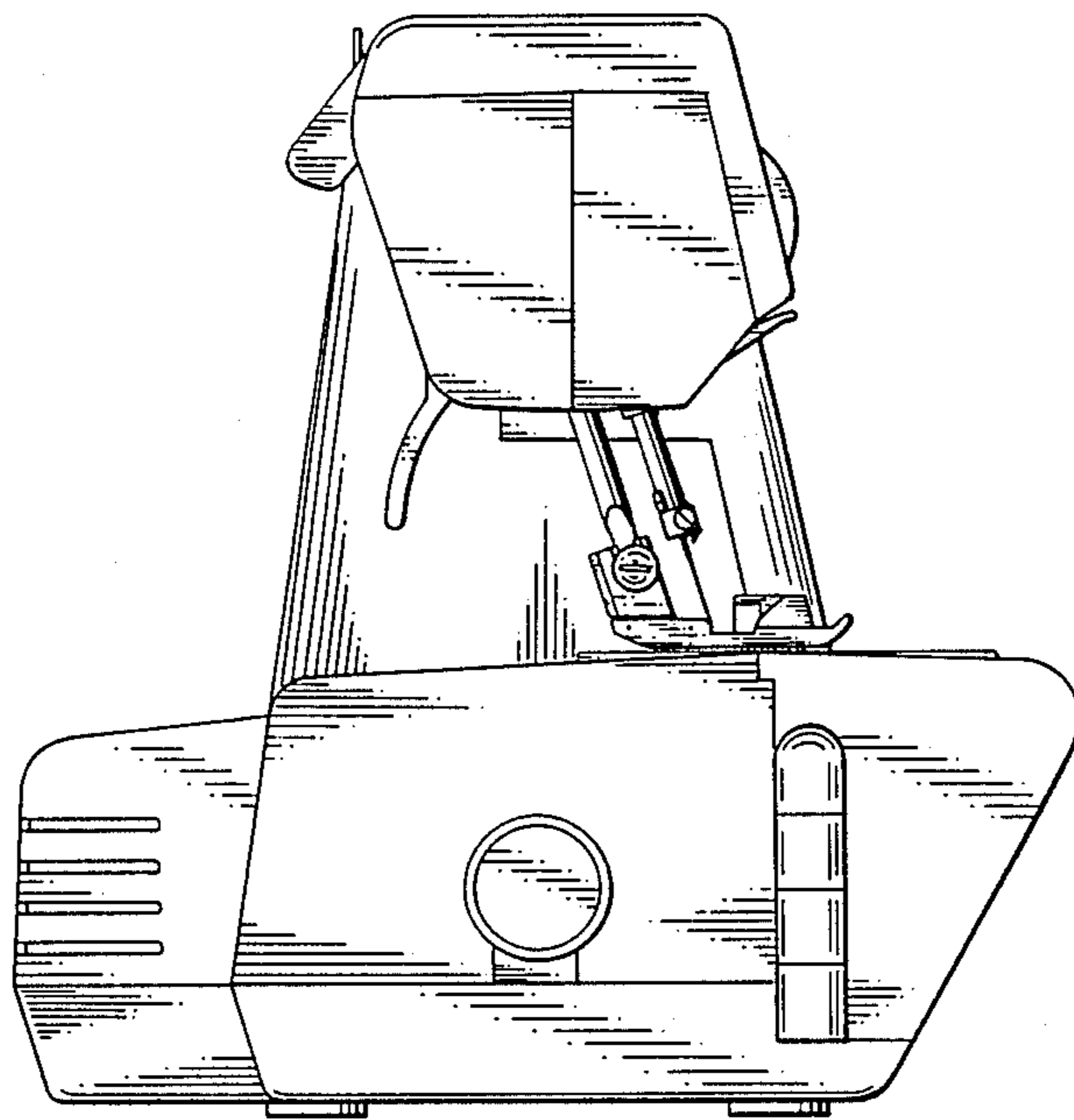


Fig. 5.

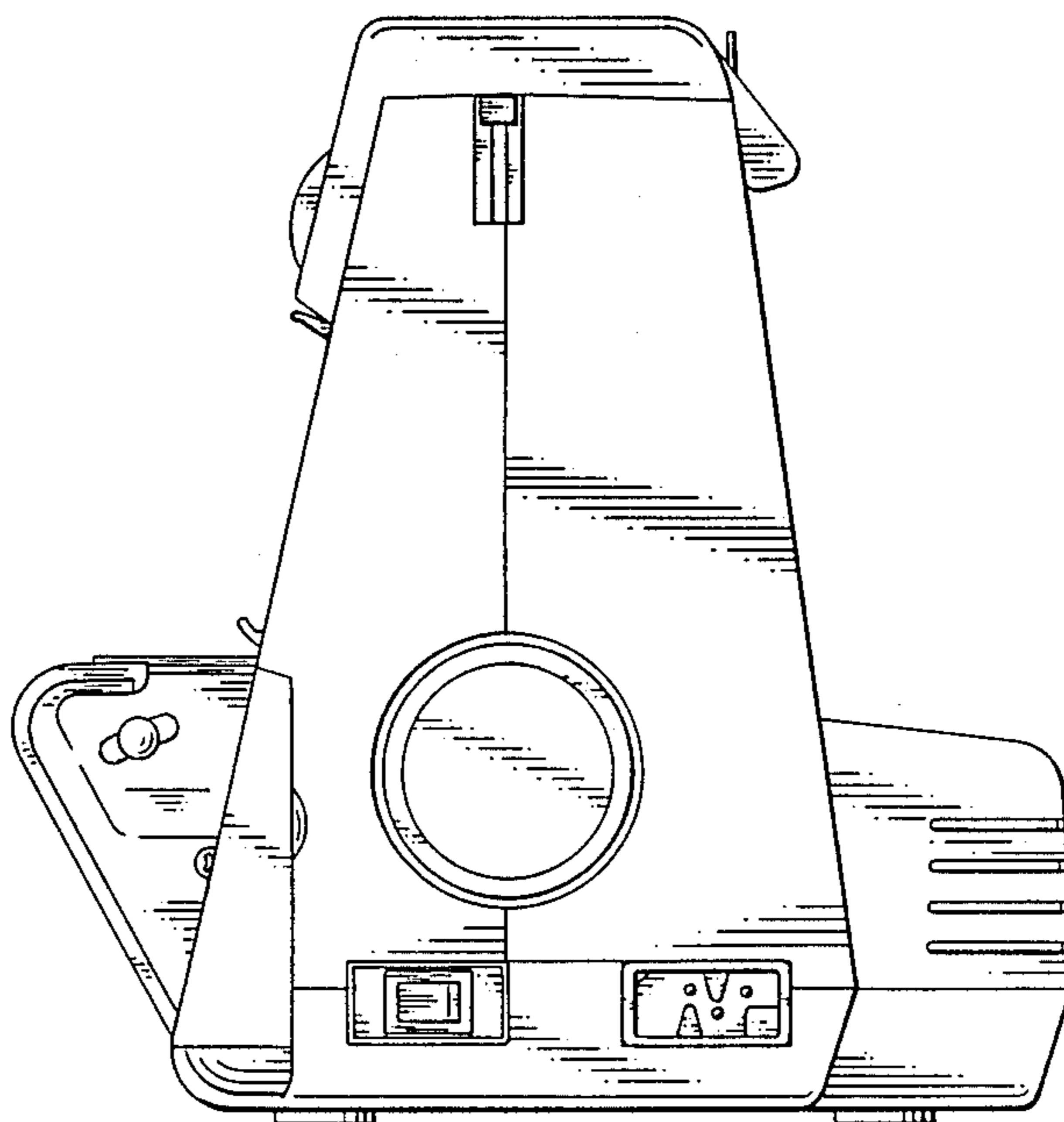


Fig. 6.

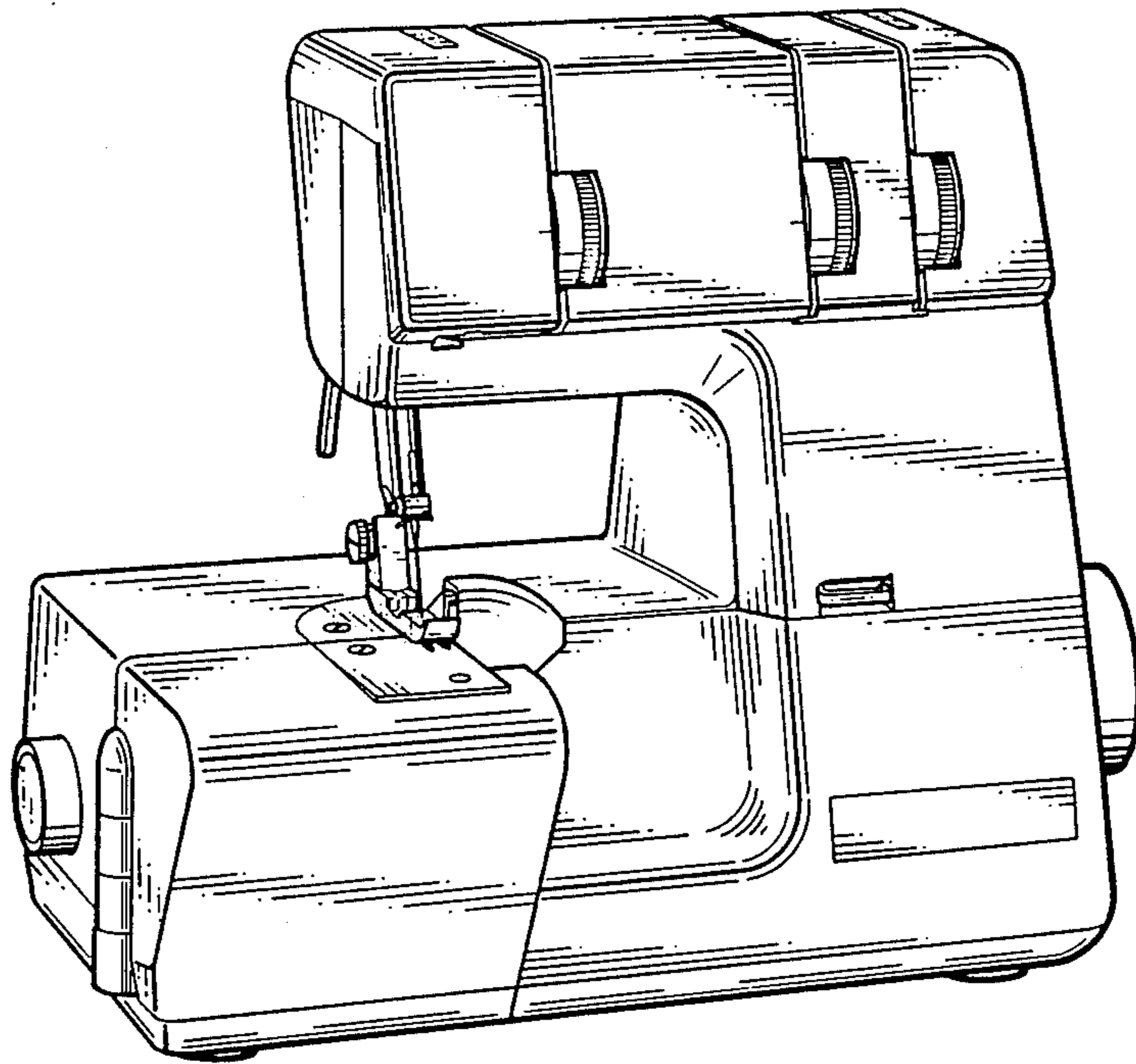


Fig. 7.