

[54] TELEPHONE STAND

[75] Inventors: Norman K. Hart, Greenfield, Ind.; Lynnet Koh, Springfield, N.J.; Eugene A. Mills, Coatesville, Ind.

[73] Assignee: American Telephone and Telegraph Company, AT&T Information Systems, Morristown, N.J.

[**] Term: 14 Years

[21] Appl. No.: 174,484

[22] Filed: Mar. 28, 1988

[52] U.S. Cl. D14/142; D14/151; D14/149

[58] Field of Search D14/142, 140, 149, 150, D14/151; 379/419, 420, 428, 432, 434, 436, 435, 440

[56] References Cited

U.S. PATENT DOCUMENTS

- D. 247,813 5/1978 Genaro et al. D14/149
- D. 252,569 8/1979 Genaro et al. D14/149
- D. 271,691 12/1983 Bhad et al. D14/149
- D. 271,972 12/1983 Genaro et al. D14/149
- D. 279,895 7/1985 Menei D14/53
- D. 283,617 4/1986 Janda et al. D14/142
- D. 283,814 5/1986 Genaro et al. D14/60
- D. 284,188 6/1986 Kondo et al. D14/151
- D. 286,042 10/1986 Fukutani et al. D14/151
- D. 286,285 10/1986 Danielson et al. D14/60
- D. 287,489 12/1986 Sekiguchi et al. D14/151
- D. 287,494 12/1986 Danielson et al. D14/60
- D. 288,563 3/1987 Story et al. D14/142
- D. 288,810 3/1987 Ando D14/151
- D. 289,644 5/1987 Aldrich et al. D14/142
- D. 289,897 5/1987 Felix et al. D14/149

- D. 290,461 6/1987 Mitchell D14/151
- D. 291,308 8/1987 Preussner et al. D14/151
- D. 293,321 12/1987 Kowalik et al. D14/149
- D. 293,440 12/1987 Britz D14/151
- D. 293,441 12/1987 Kowalik et al. D14/149
- D. 297,325 8/1988 Engstrom et al. D14/149
- 3,941,951 3/1976 Engstrom et al. 379/436

OTHER PUBLICATIONS

B. A. Pargh, Co., Inc.: 1985/86 Fall Winter Catalog: ©1985; at pp. 332, "Comdial" Regent TM Phone, #CT36545ALAMT.

Sears Wish Book 1985: at p. 623; AT&T, "Touch-A-Matic" TM 1600; Uniden XE 40, 3E34804.

B. A. Pargh, Co., Inc.; 1987 Spring Summer Catalog; ©1987; "Code-A-Phone", p. 270, Models 3100EFK & 3200EFK.

Radio Shack 1986 Catalog; ©1985; at p. 74; Radio Shack Model ET-191.

Application Ser. No. 07/014491 filed Feb. 13, 1987.

Primary Examiner—Horace B. Fay, Jr.

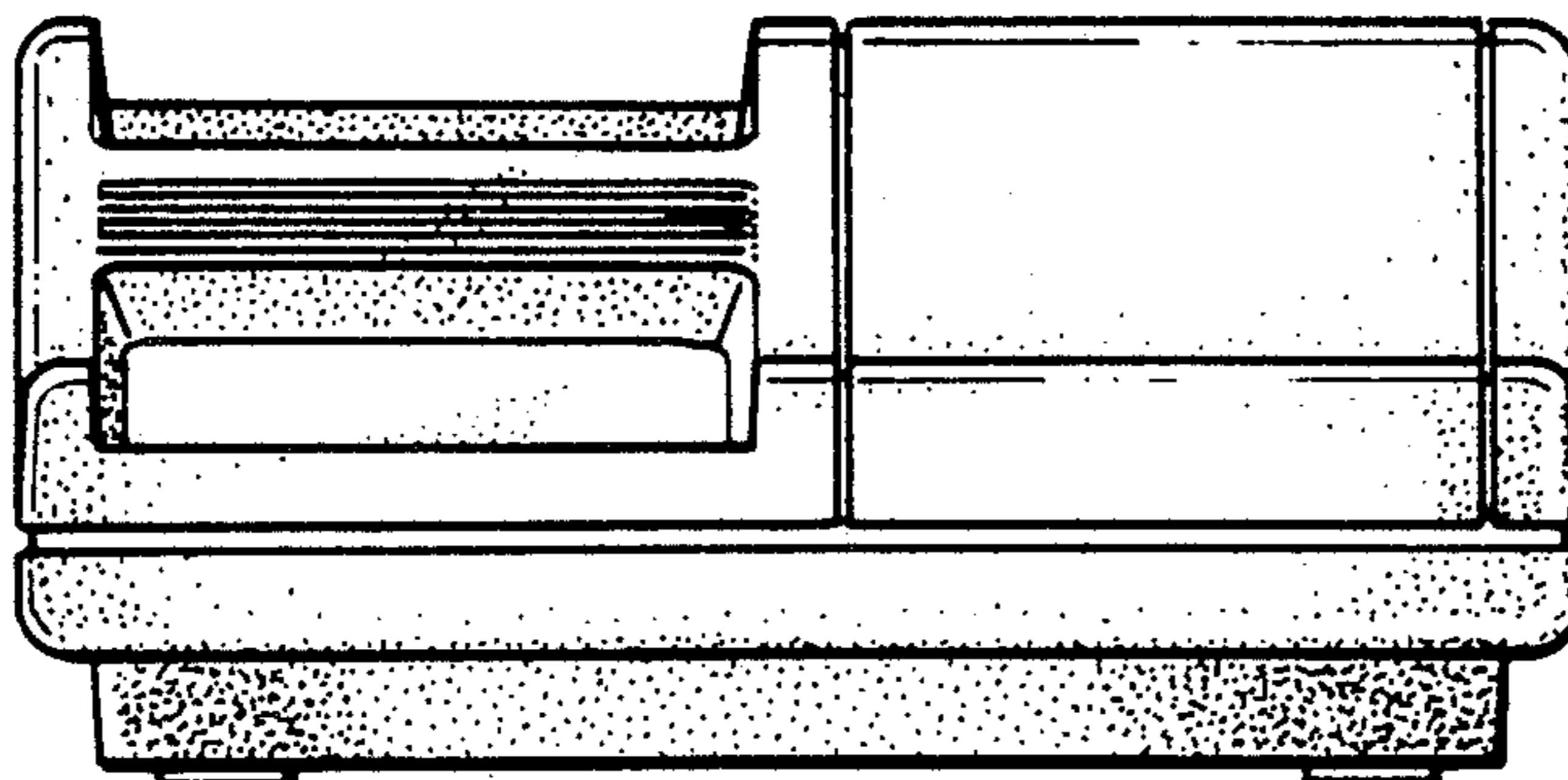
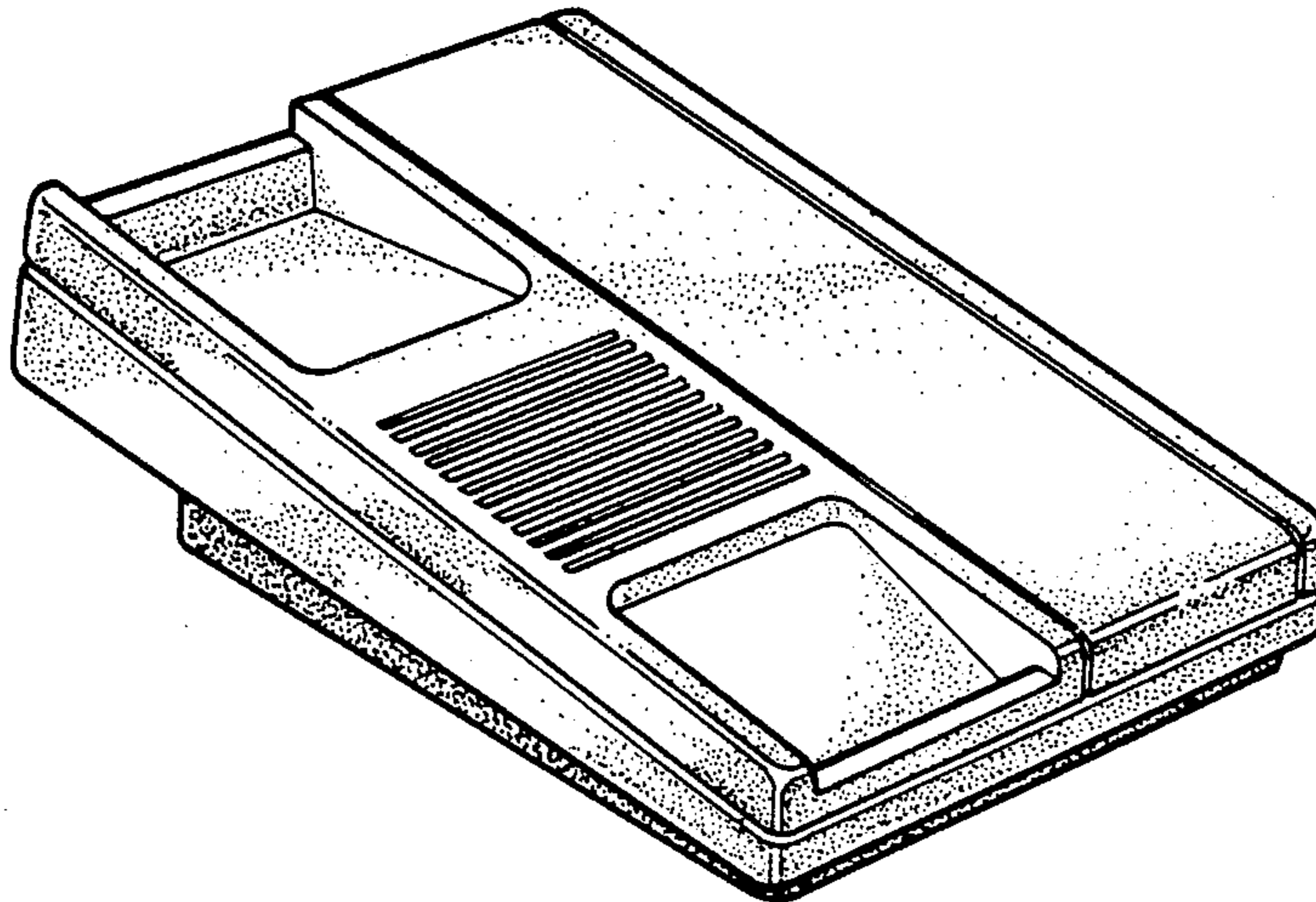
Attorney, Agent, or Firm—Michael A. Morra

[57] CLAIM

The ornamental design for telephone stand, as shown and described.

DESCRIPTION

FIG. 1 is a top, front and left side perspective view of a telephone stand showing our new design;
 FIG. 2 is a top plan view thereof;
 FIG. 3 is a front elevational view;
 FIG. 4 is a right side elevational view;
 FIG. 5 is a rear elevational view thereof;
 FIG. 6 is a left side elevational view; and
 FIG. 7 is a bottom plan view.



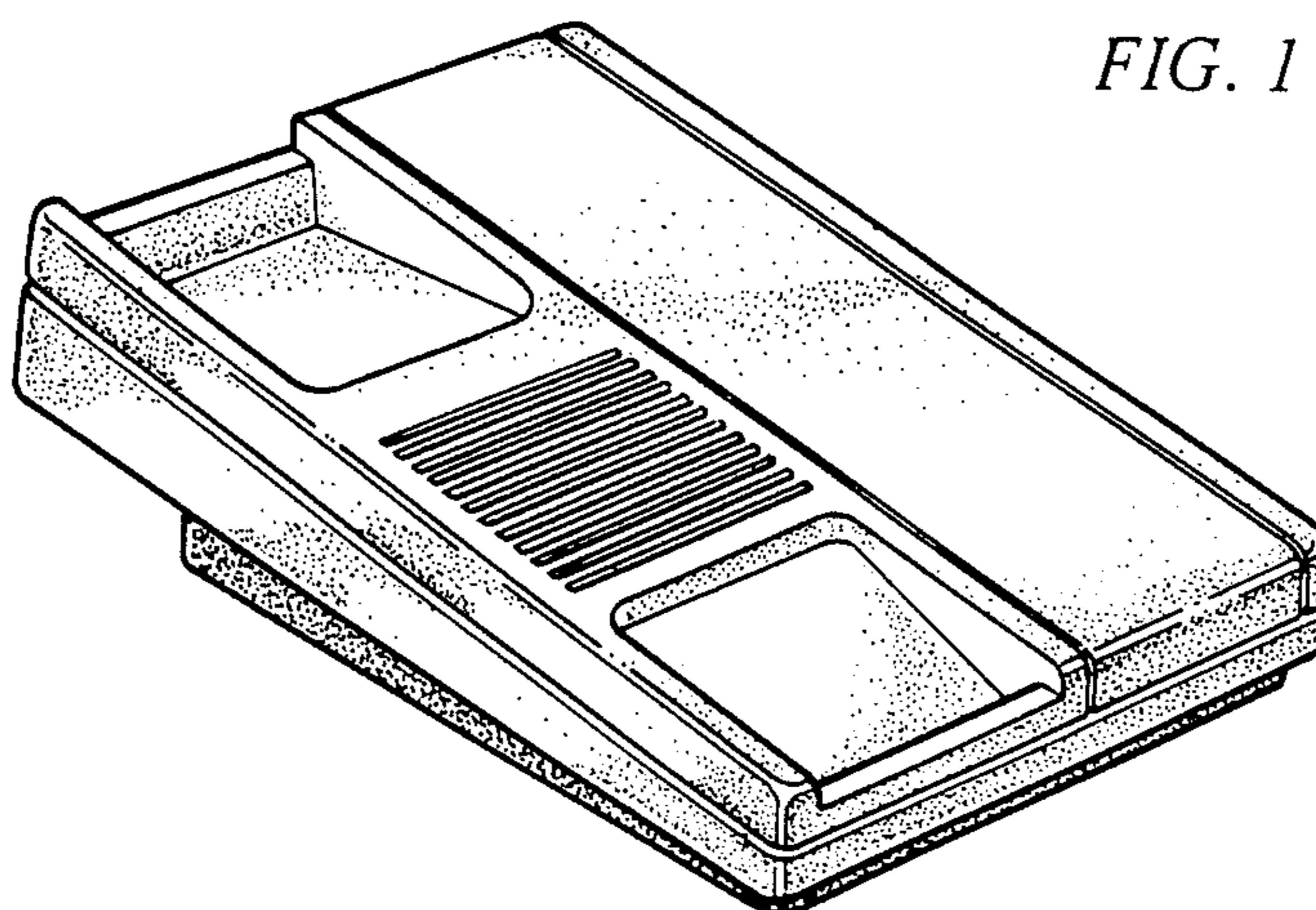


FIG. 1

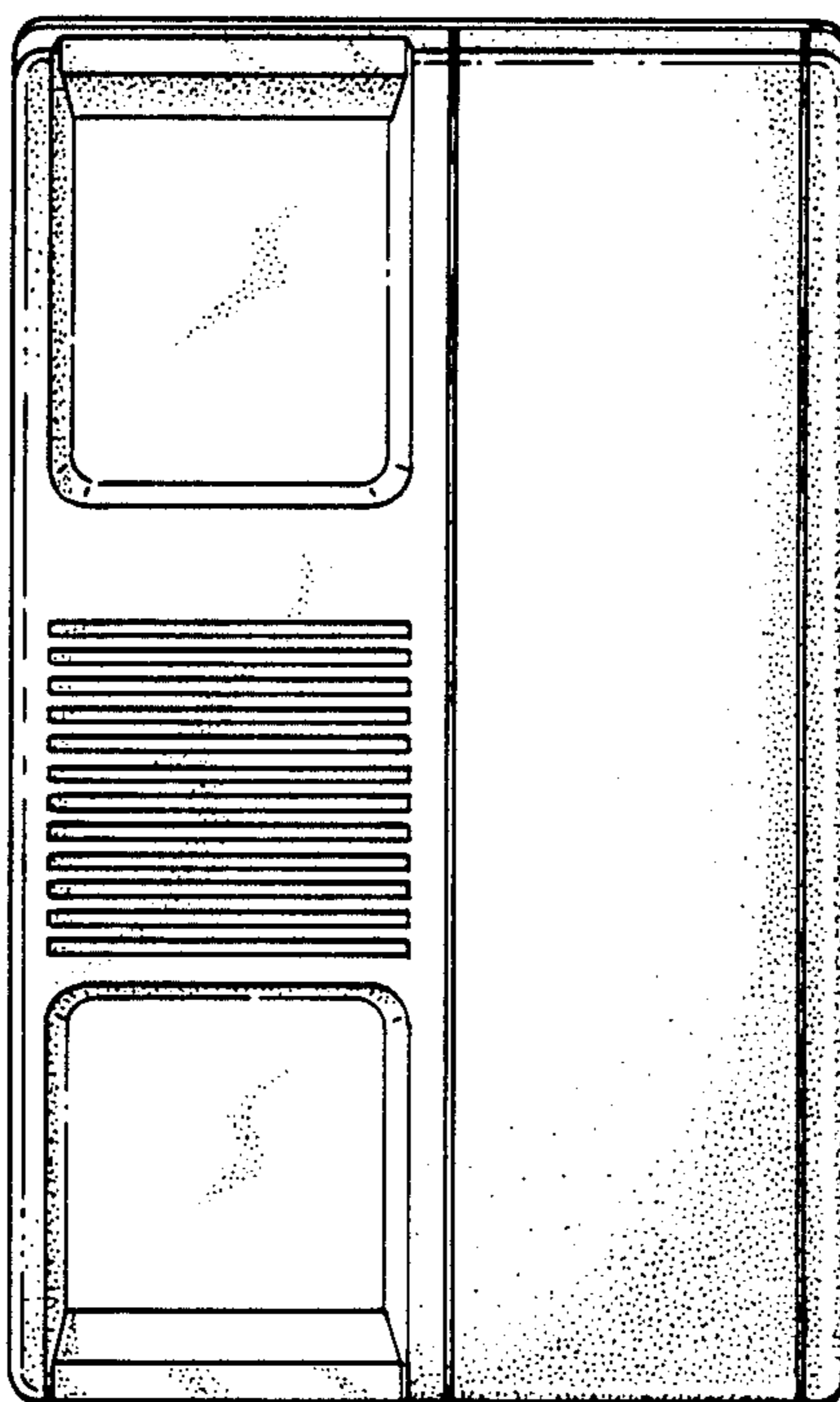


FIG. 2

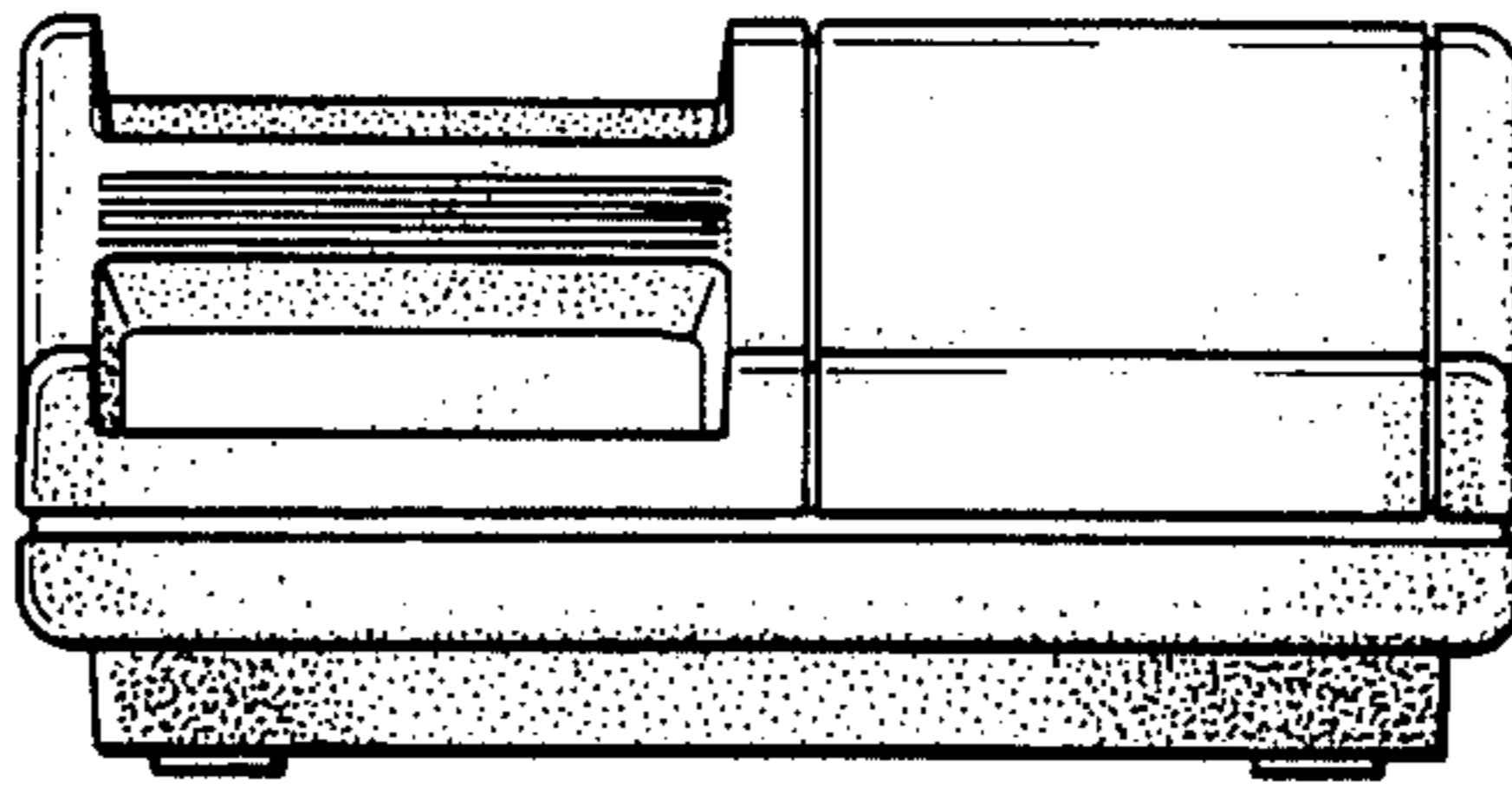


FIG. 3

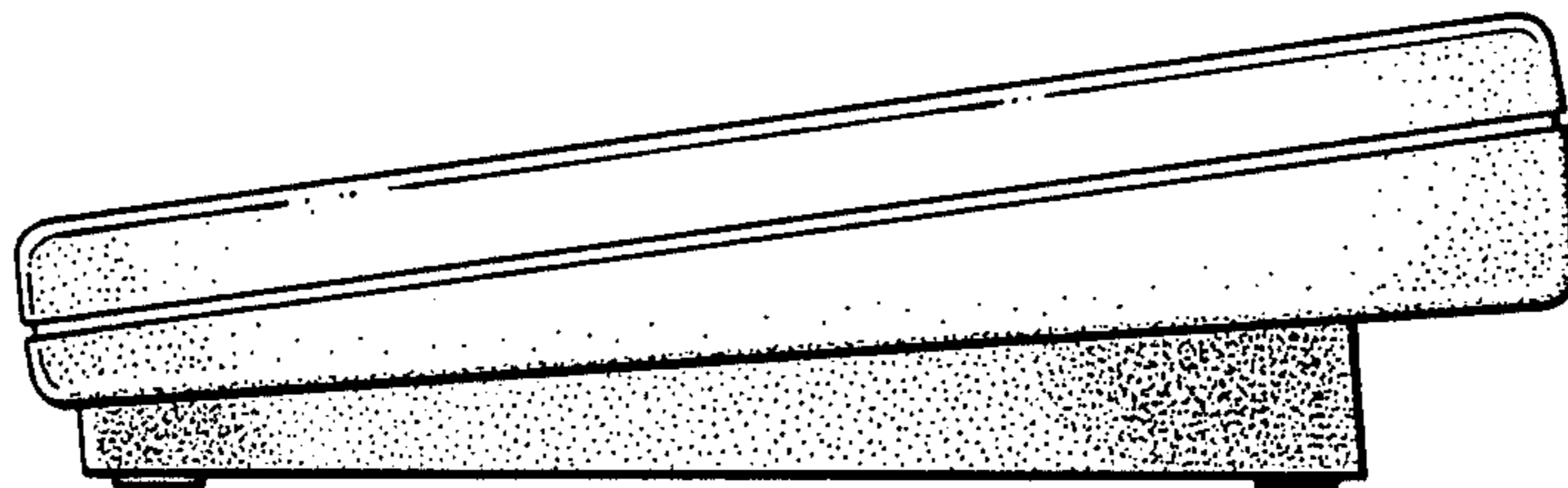


FIG. 4

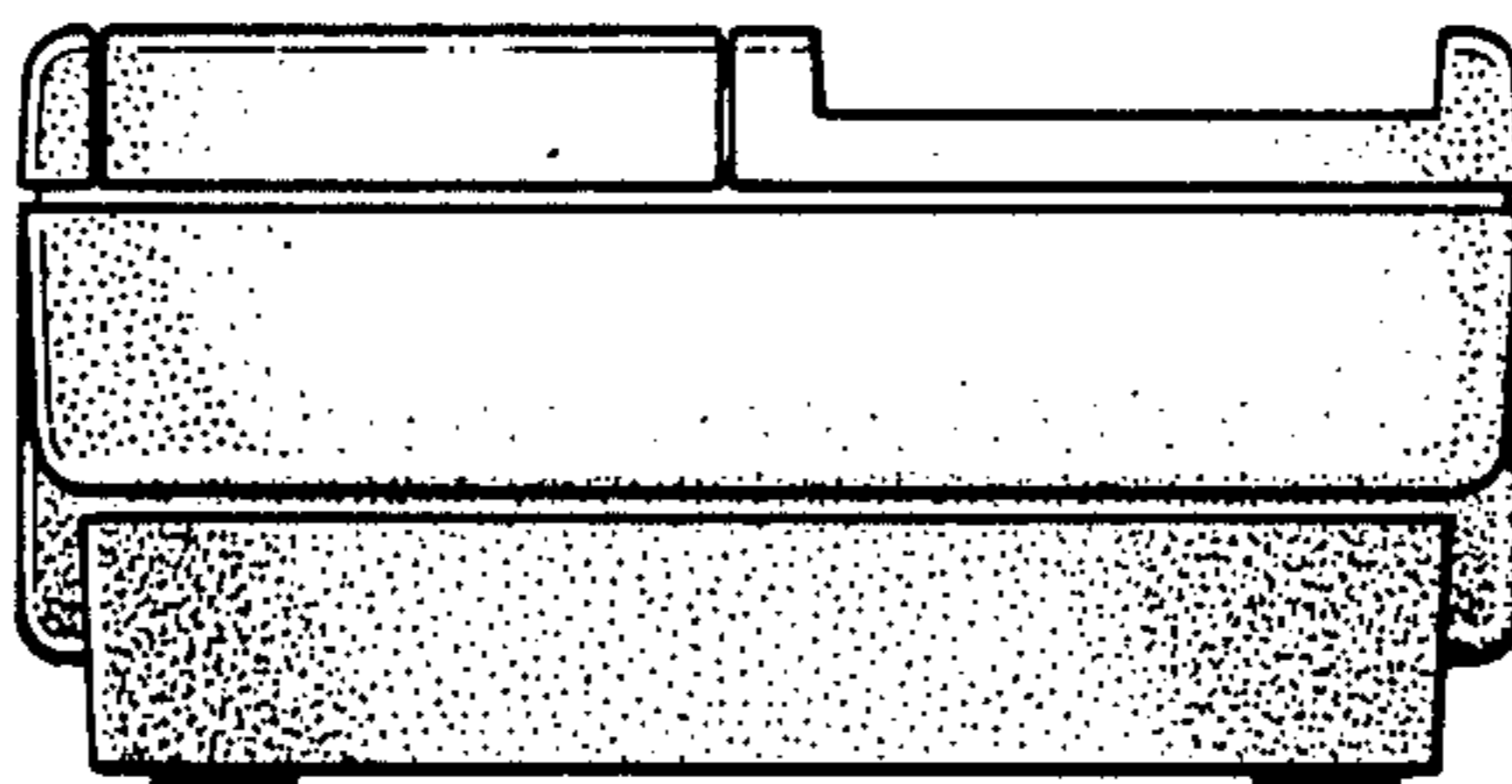


FIG. 5

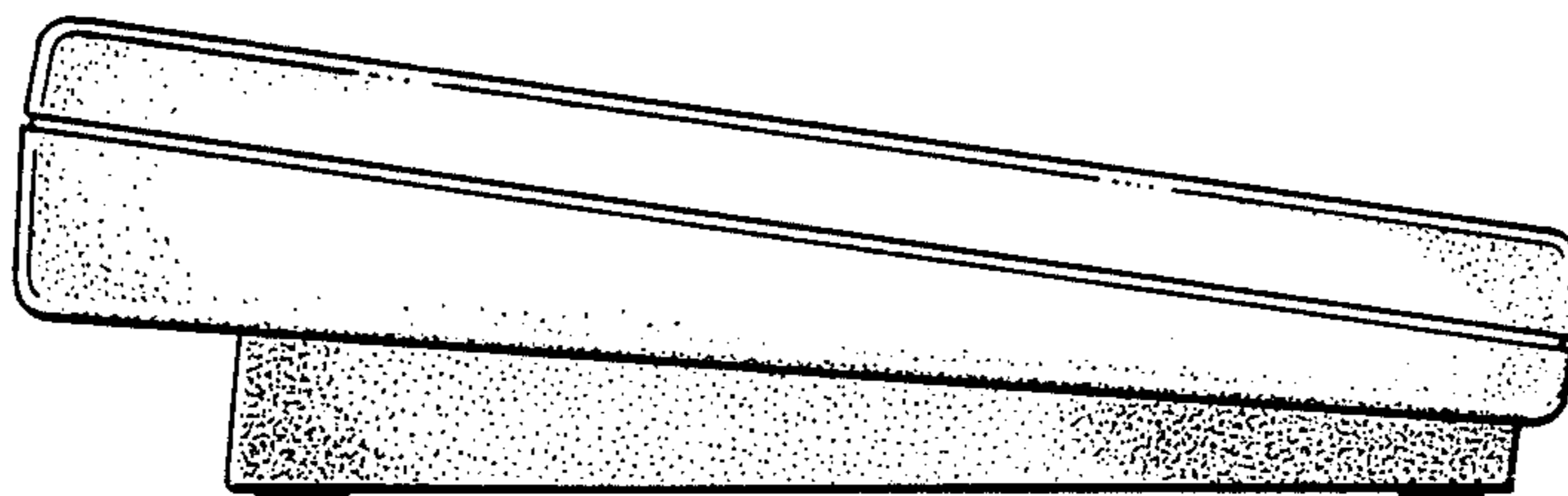


FIG. 6

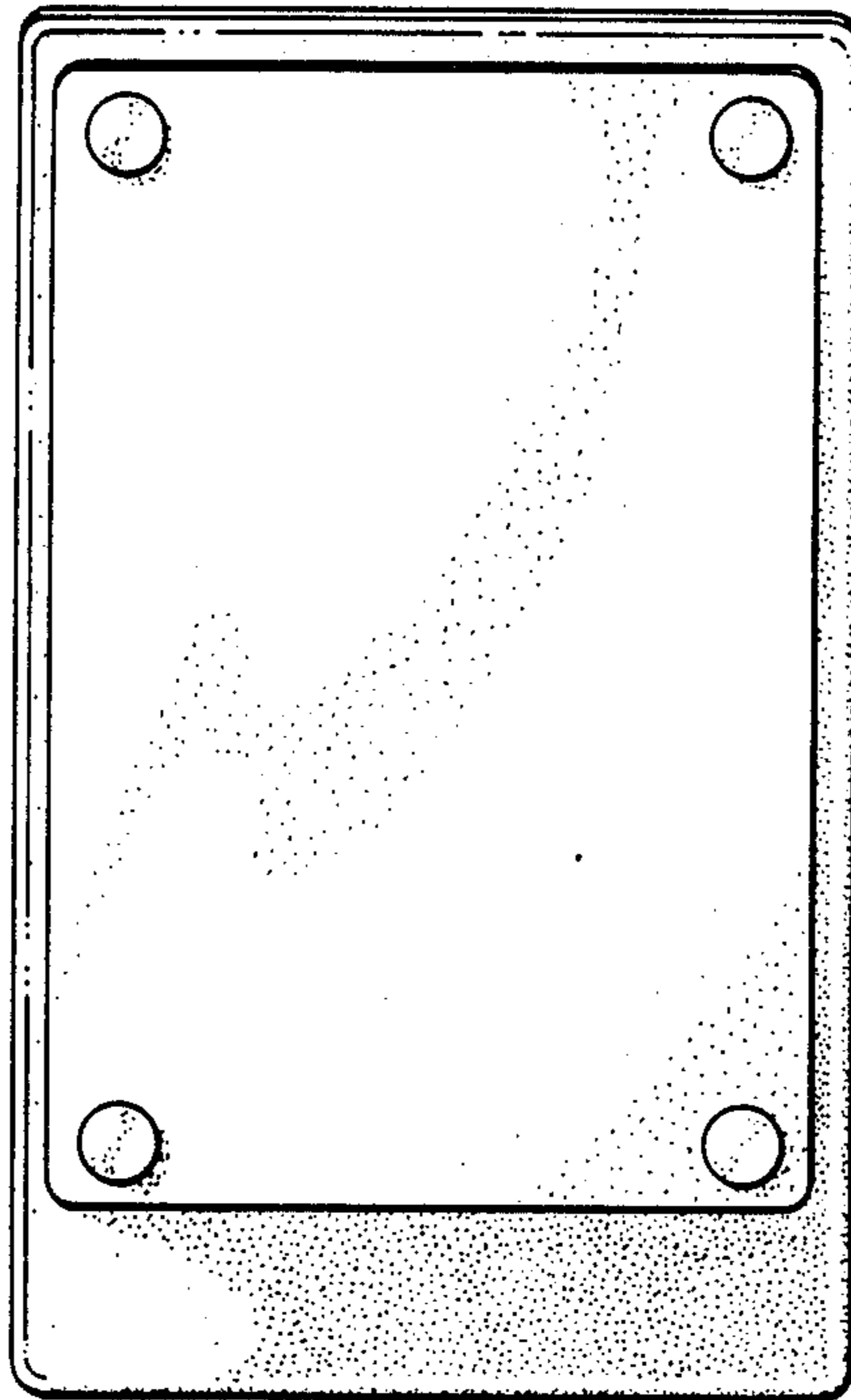


FIG. 7