

[54] COMPUTER FOR POINT OF SALE SYSTEMS, OR SIMILAR ARTICLE

[75] Inventors: Arvin D. Danielson, Solon; Dennis A. Durbin, Cedar Rapids; George G. Lippisch, Cedar Rapids; Kevin L. Fischer, Cedar Rapids; Lyndon L. Dunbar, Cedar Rapids, all of Iowa

[73] Assignee: Norand Corporation, Cedar Rapids, Iowa

[**] Term: 14 Years

[21] Appl. No.: 929,157

[22] Filed: Nov. 10, 1986

[52] U.S. Cl. D14/106

[58] Field of Search D14/100-117; D18/1, 2, 3, 4, 6, 7, 8, 9, 11, 12, 13; 235/145 A, 145 R; 340/22, 23, 700, 706, 711, 712; 364/130, 144, 189, 706, 708, 709, 710; 400/472, 489, 682

[56] References Cited

U.S. PATENT DOCUMENTS

- D. 220,226 3/1971 Ray et al. D14/106
- D. 224,110 7/1972 Heimann D14/106
- D. 227,375 6/1973 Howard D14/106

- D. 258,826 4/1981 Aderman et al. D14/105 X
- D. 262,204 12/1981 Wilson et al. D14/105
- D. 264,468 5/1982 Grae D14/105 X
- D. 269,623 7/1983 Kato et al. D18/4
- D. 278,542 4/1985 Kakiuchi et al. D18/4
- D. 297,237 8/1988 Long D14/111 X

OTHER PUBLICATIONS

Computer Design—March 1981, p. 164—HP-83 Personal Computer.

Primary Examiner—Susan J. Lucas

Assistant Examiner—Freda S. Nunn

Attorney, Agent, or Firm—Neuman, Williams, Anderson & Olson

[57] CLAIM

The ornamental design for a computer for point of sale systems, or similar article, as shown and described.

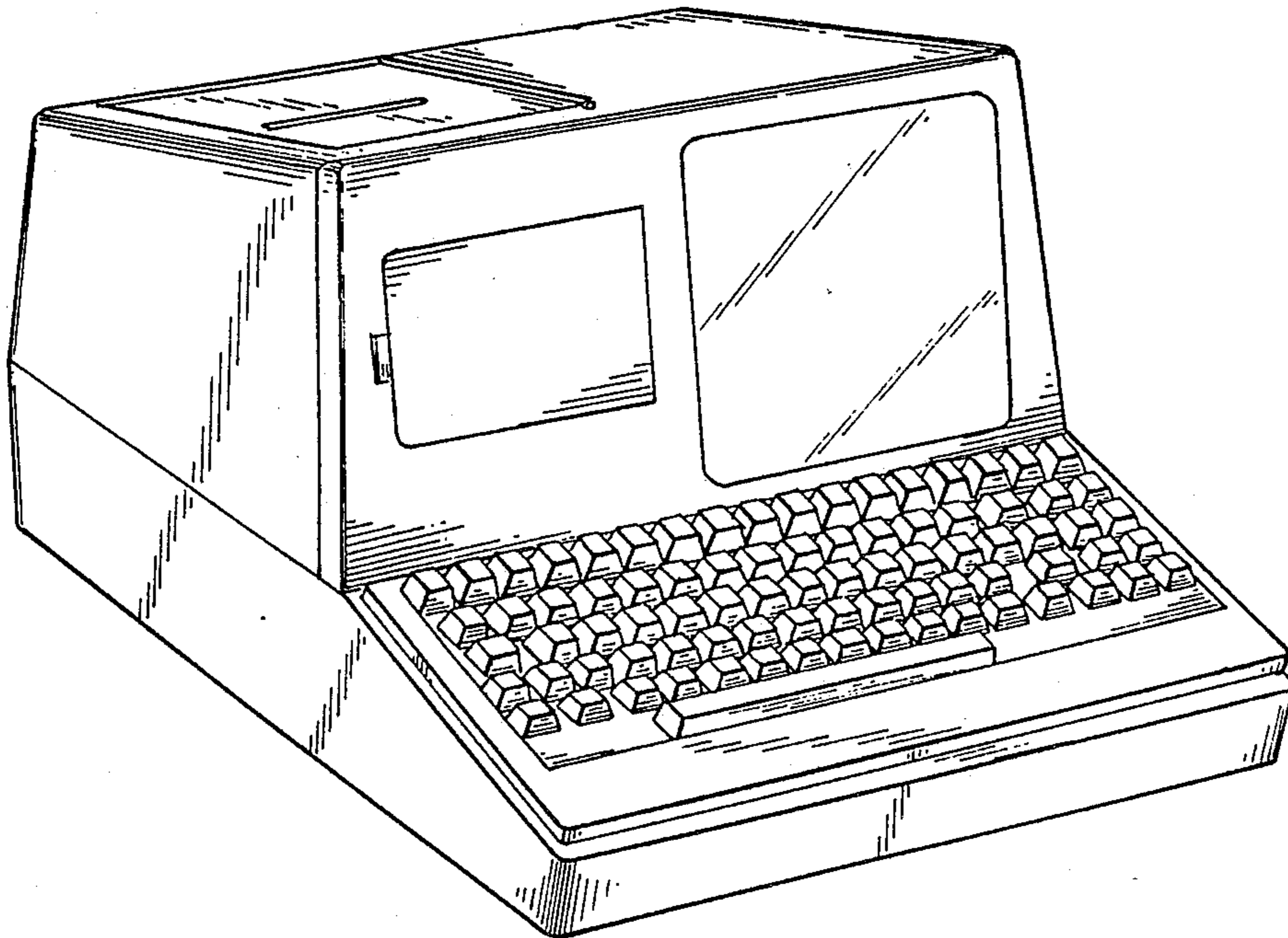
DESCRIPTION

FIG. 1 is a left front perspective view of a computer for point of sale systems or similar article showing our new design;

FIG. 2 is a right side elevational view thereof;

FIG. 3 is a top plan view thereof, on an enlarged scale;

FIG. 4 is a rear elevational view thereof.



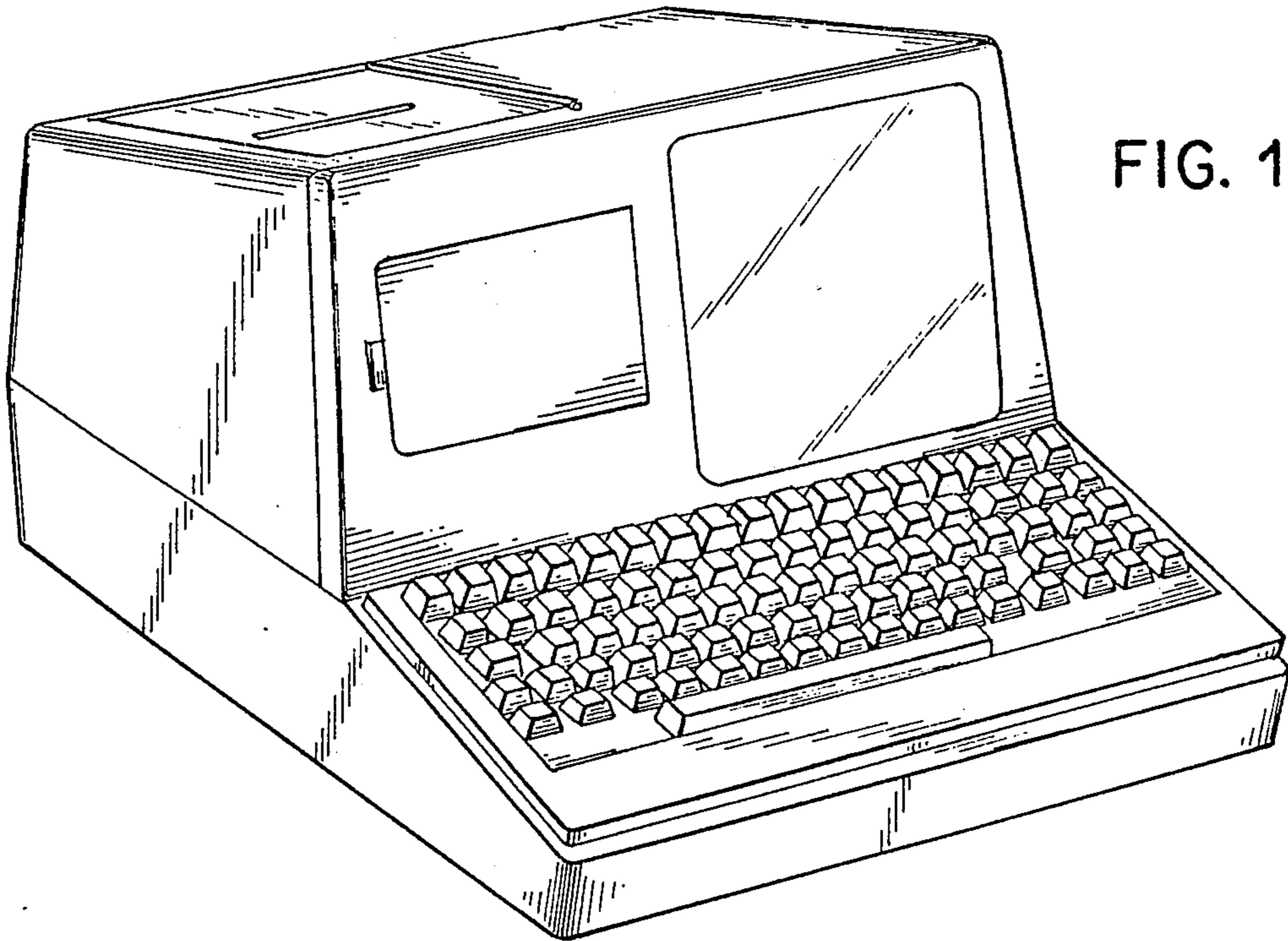


FIG. 1

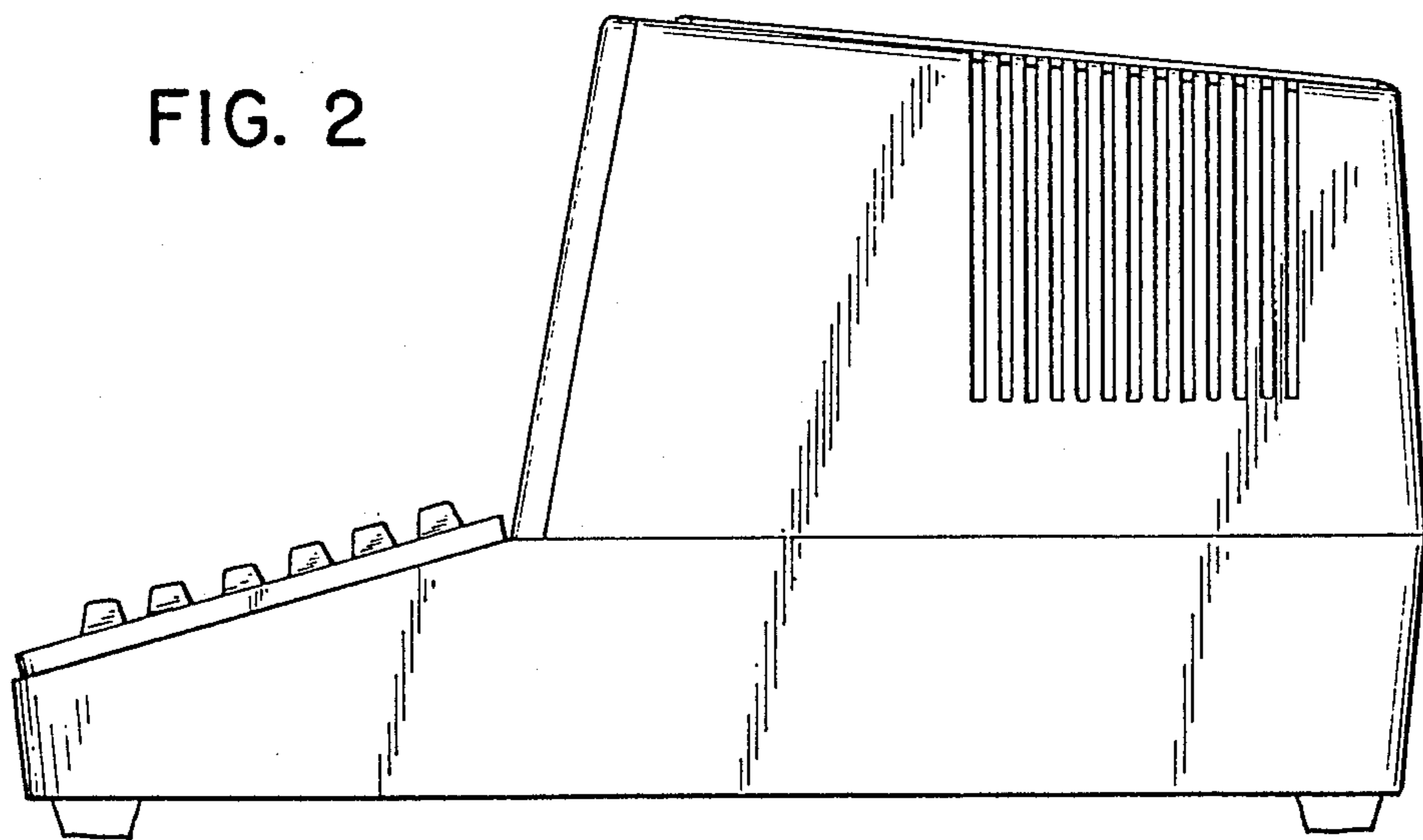


FIG. 2

FIG. 3

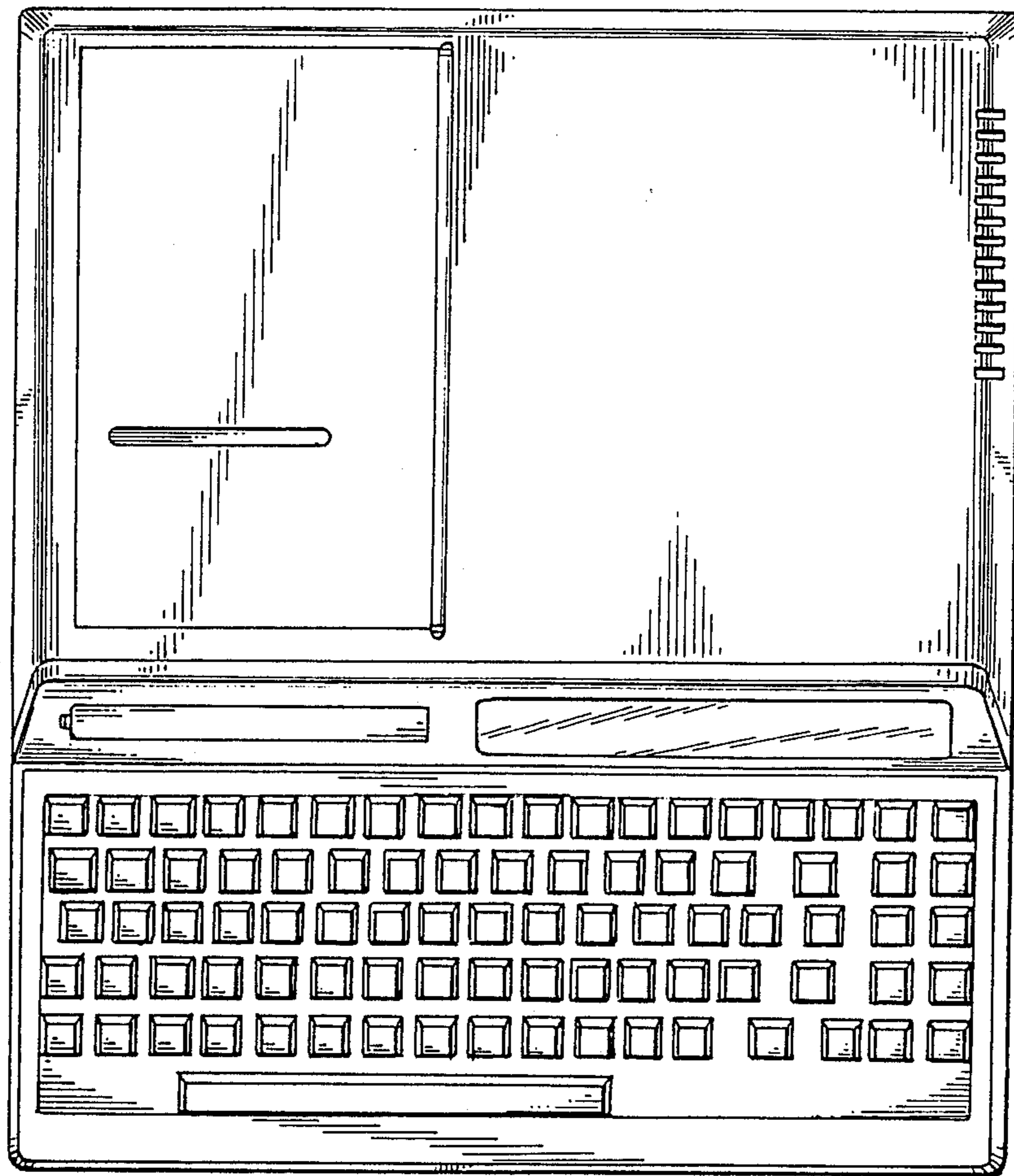


FIG. 4

