

[54] DISK DRIVE

[75] Inventor: Hyung S. Ji, Seoul, Rep. of Korea

[73] Assignee: Hyundai Electronics Industries Co., Ltd., Kyoungki, Rep. of Korea

[**] Term: 14 Years

[21] Appl. No.: 1,086

[22] Filed: Jan. 6, 1987

[30] Foreign Application Priority Data

Dec. 9, 1986 [KR] Rep. of Korea 86-17359

[52] U.S. Cl. D14/100; D14/109

[58] Field of Search D14/100-117;
D13/40, 41, 32, 24, 12, 4, 10, 13, 34; D18/1, 2,
5, 6, 7, 8, 11, 13; 360/97, 98, 99, 132, 133, 99.02;
361/330, 331, 332, 334, 335, 348, 352, 358, 379,
380, 381, 384, 390-395, 415, 426, 2, 4, 9;
312/299, 304, 208, 270, 275, 253; 211/41, 26,
126; 174/50, 52 R; 200/5 A, 5 R, 6 A, 6 R;
235/375; 364/708

[56] References Cited

U.S. PATENT DOCUMENTS

D. 280,410 9/1985 Sakamoto D14/100
D. 289,056 3/1987 Davis et al. D14/109 X
4,712,843 12/1987 Castelli et al. 361/331 X

OTHER PUBLICATIONS

PC World-Apr. 1984, p. 105 (Sperry PC Computer upper left corner).

The Mac Catalog, 1986 p. 30-AST 4000 Computer (upper left corner).

Primary Examiner—Susan J. Lucas

Assistant Examiner—Freda S. Nunn

Attorney, Agent, or Firm—Abelman Frayne Rezac & Schwab

[57] CLAIM

The ornamental design for a disk drive, as shown and described.

DESCRIPTION

FIG. 1 is a top, front right side perspective view of a disk drive showing my new design;

FIG. 2 is a top plan view thereof on an enlarged scale;

FIG. 3 is a bottom plan view thereof on an enlarged scale;

FIG. 4 is a front elevational view thereof on an enlarged scale;

FIG. 5 is a rear elevational view thereof on an enlarged scale;

FIG. 6 is a left side elevational view thereof on an enlarged scale;

FIG. 7 is a right side elevational view thereof on an enlarged scale;

FIG. 8 is a cross sectional view thereof as taken along line 8—8 of FIG. 4.

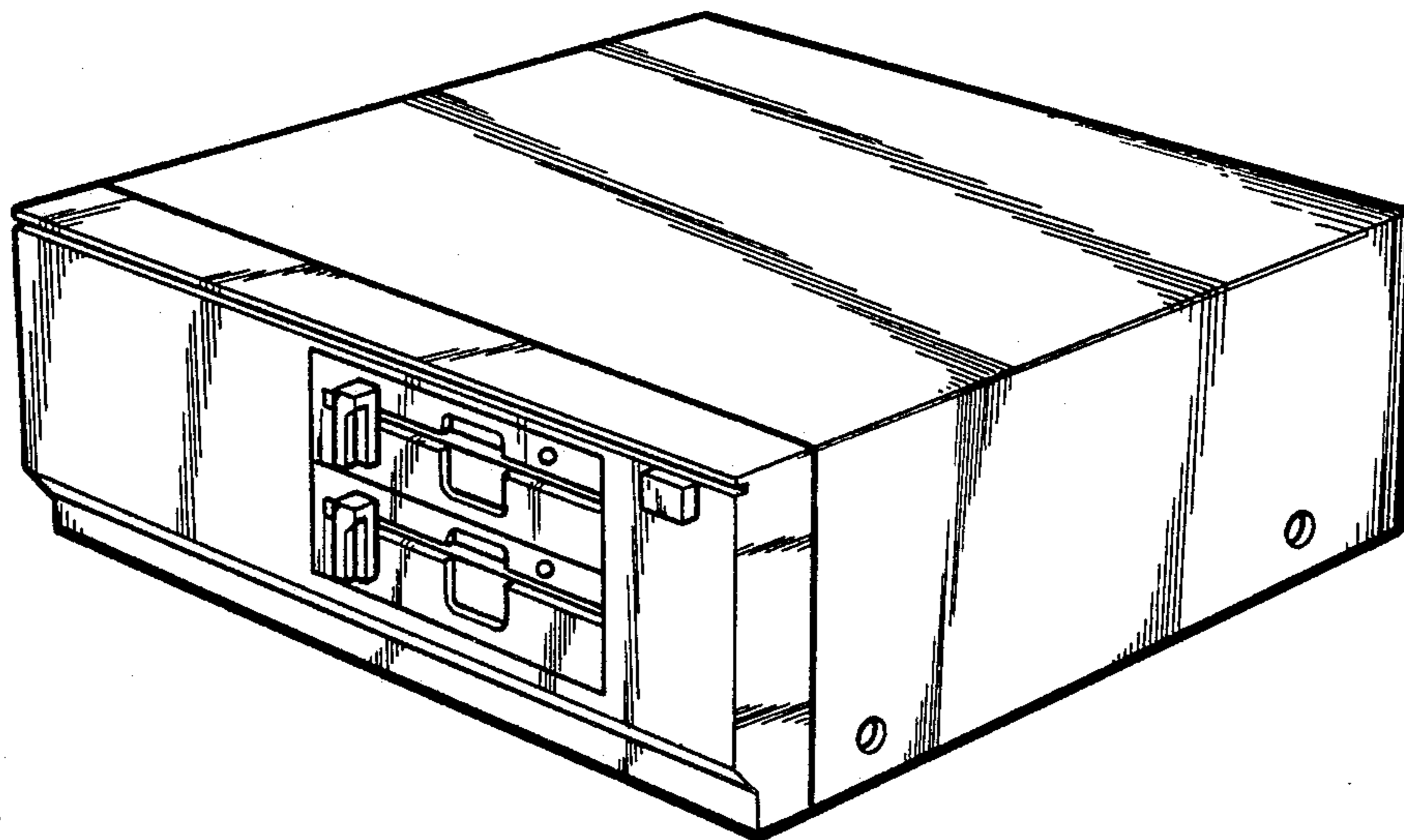


FIG. 1

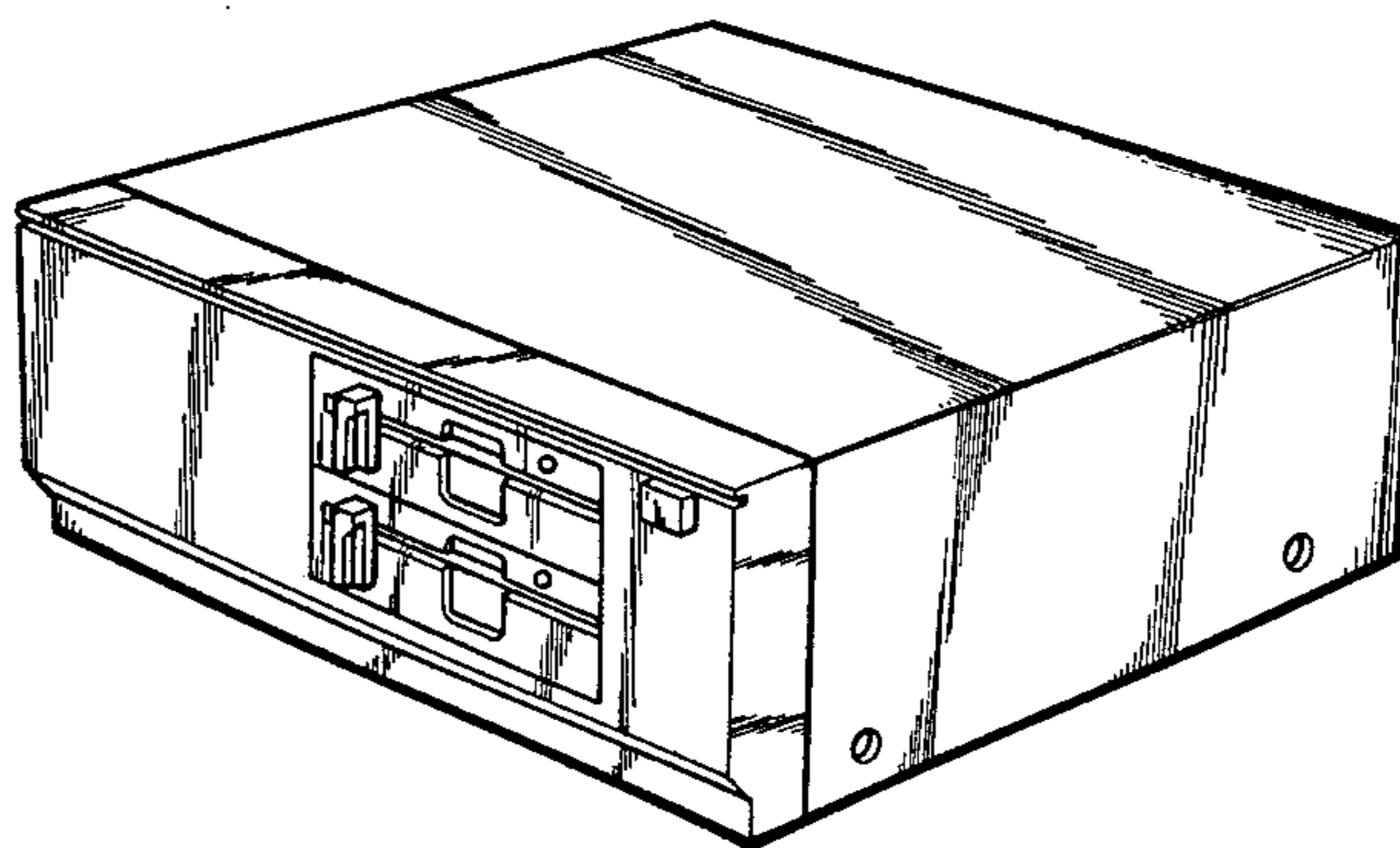


FIG. 2

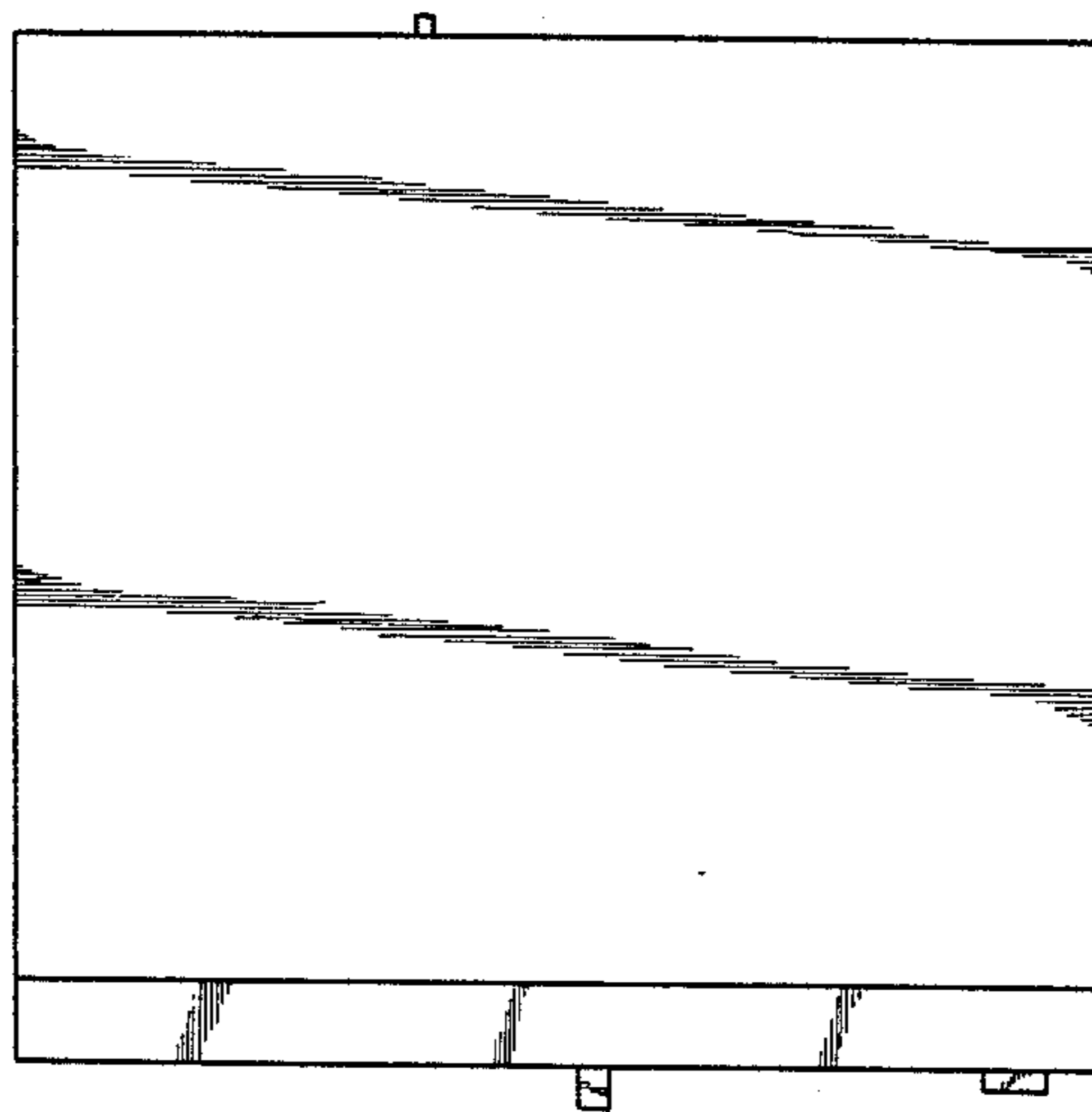


FIG. 3

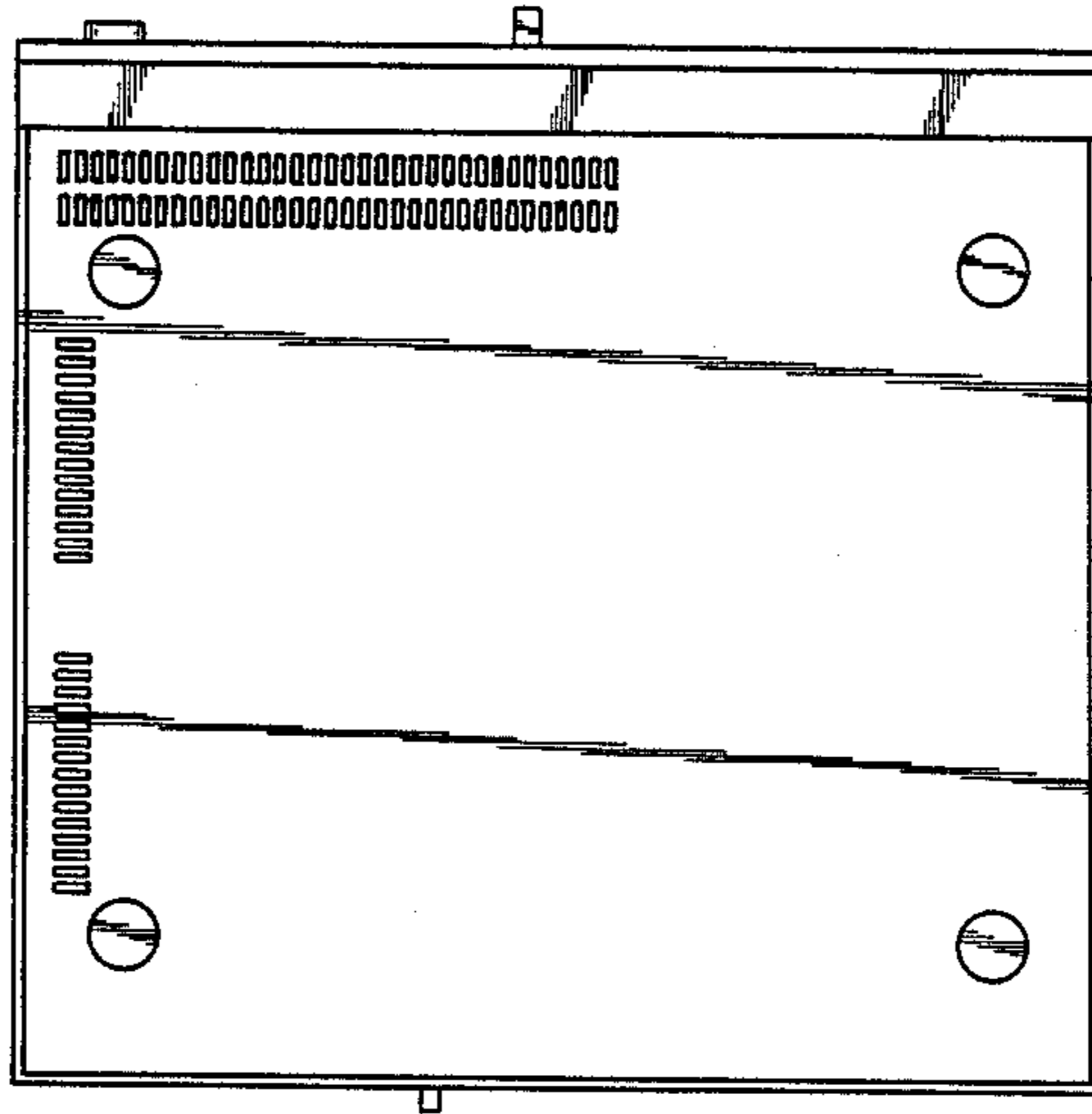


FIG. 4

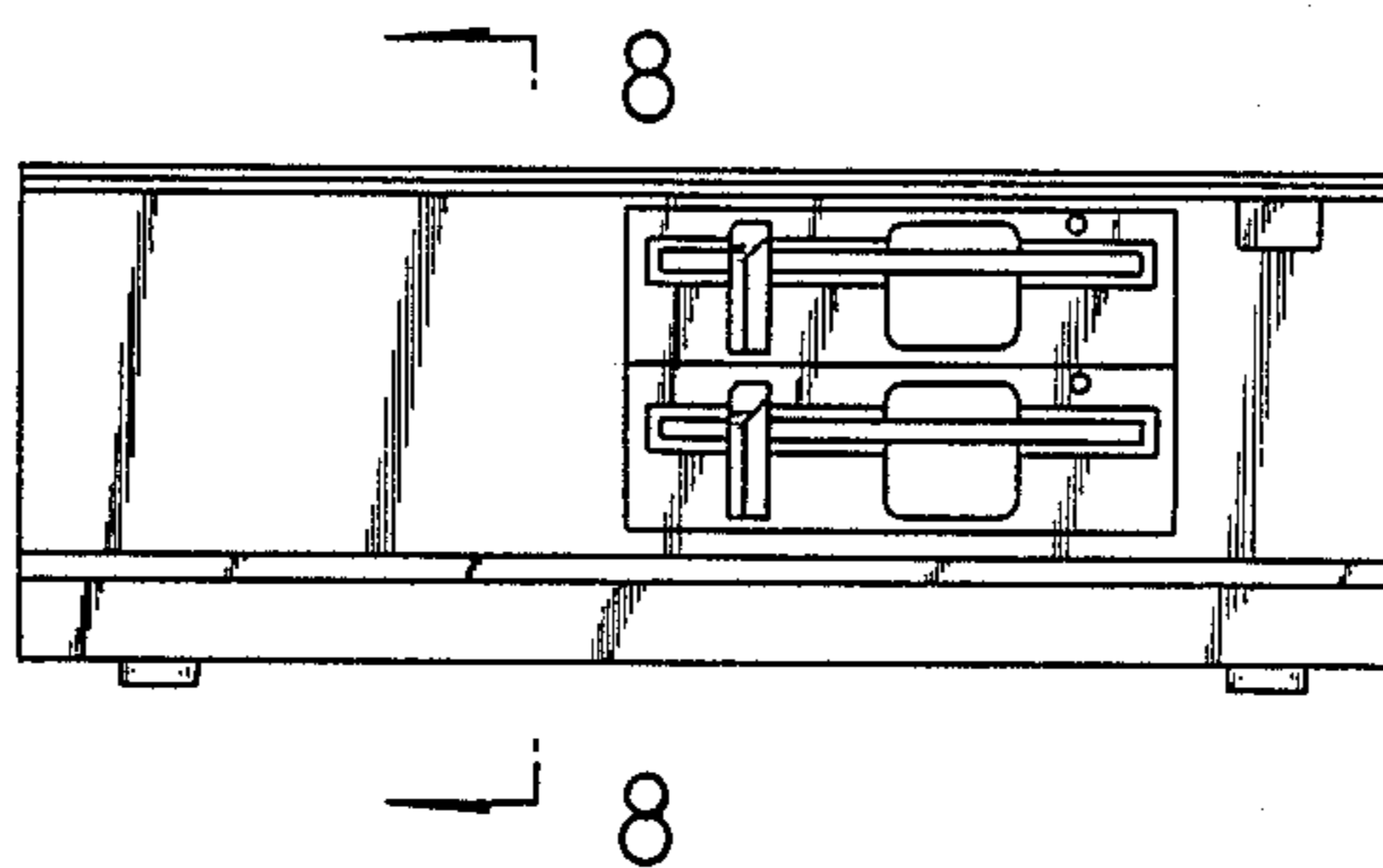


FIG. 5

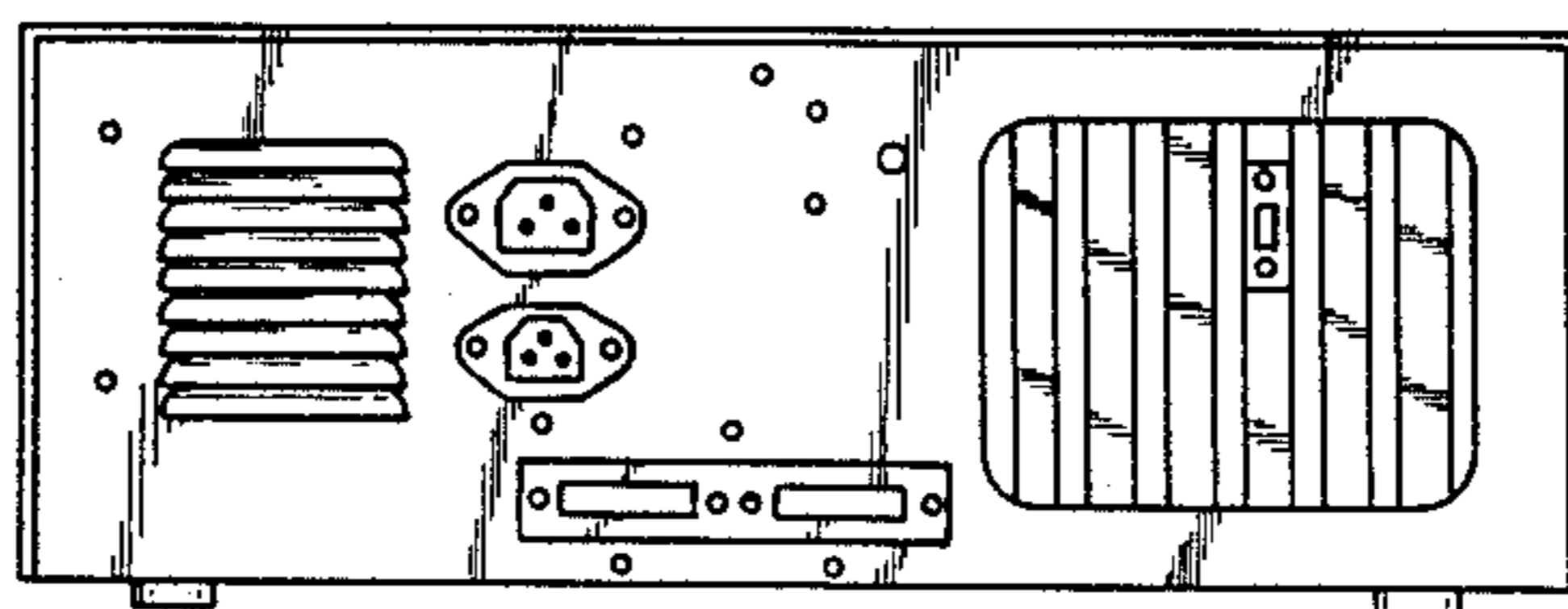


FIG. 6

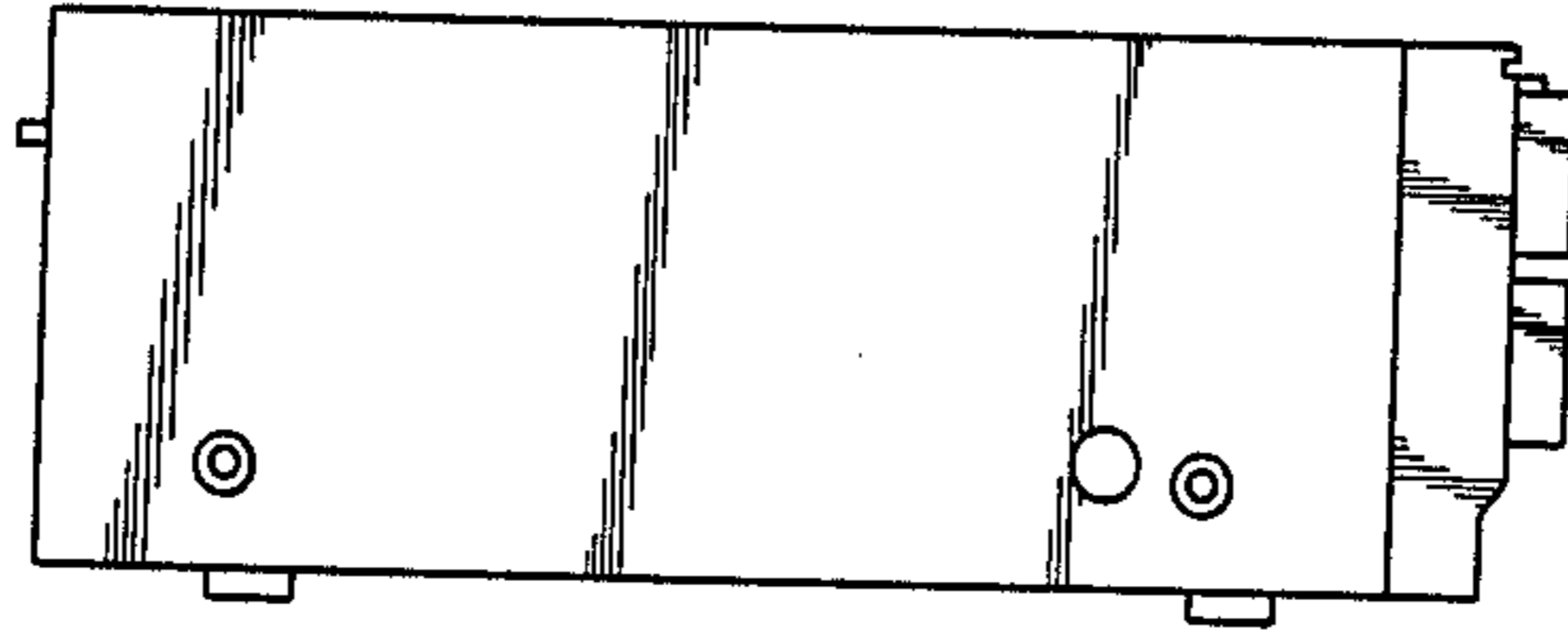


FIG. 7

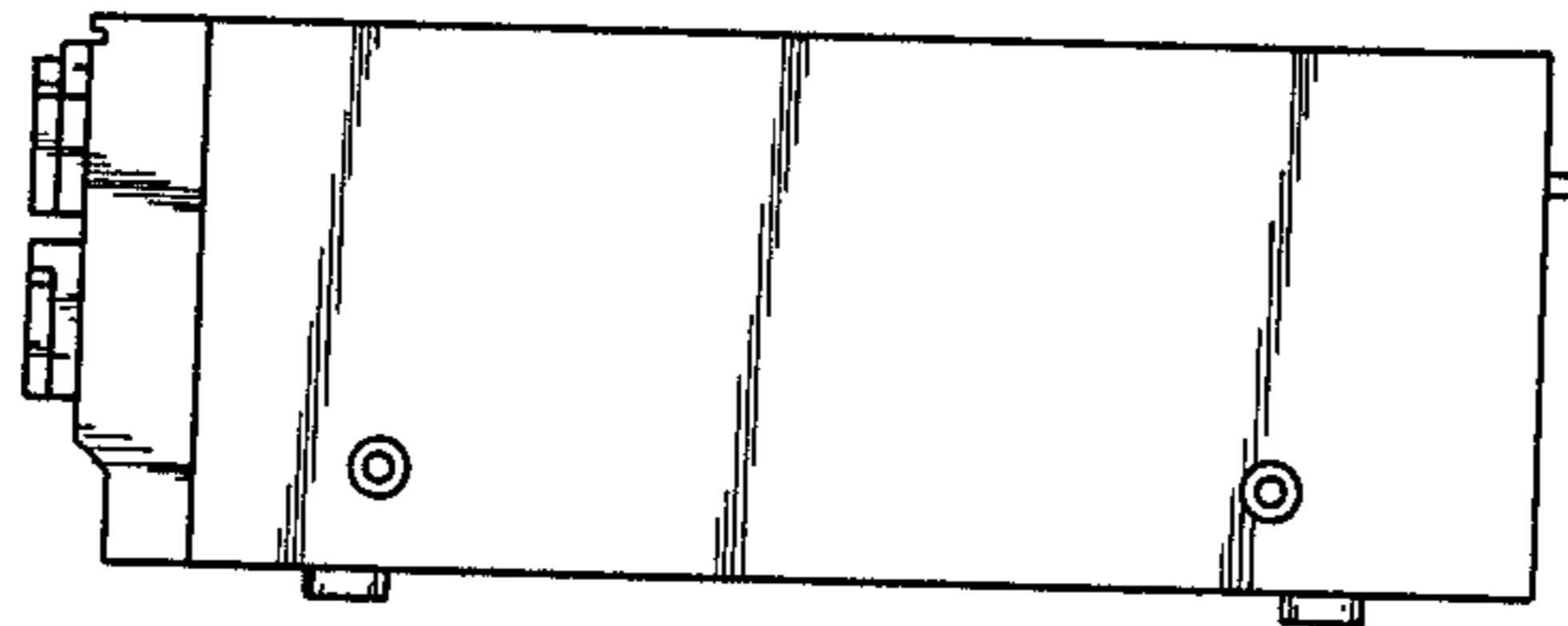


FIG. 8

