

[54] BATTERY CABLE TERMINATION

[76] Inventors: Victor J. Julian, 2400 Belvue, Westchester, Ill. 60153; Kenneth A. Julian, 409 Suffolk La., Oak Brook, Ill. 60521

[\*\*] Term: 14 Years

[21] Appl. No.: 920,888

[22] Filed: Oct. 20, 1986

[52] U.S. Cl. .... D13/10

[58] Field of Search ..... D13/10, 24; 439/765, 439/766, 135

[56] References Cited

U.S. PATENT DOCUMENTS

- D. 250,531 12/1978 Demetreon ..... D13/10
- D. 290,597 6/1987 Sherman ..... D13/10

- 4,049,335 9/1977 Julian et al. .... 439/766 X
- 4,156,552 5/1979 Wilson et al. .... 439/766 X
- 4,473,264 9/1984 Julian et al. .... 439/135

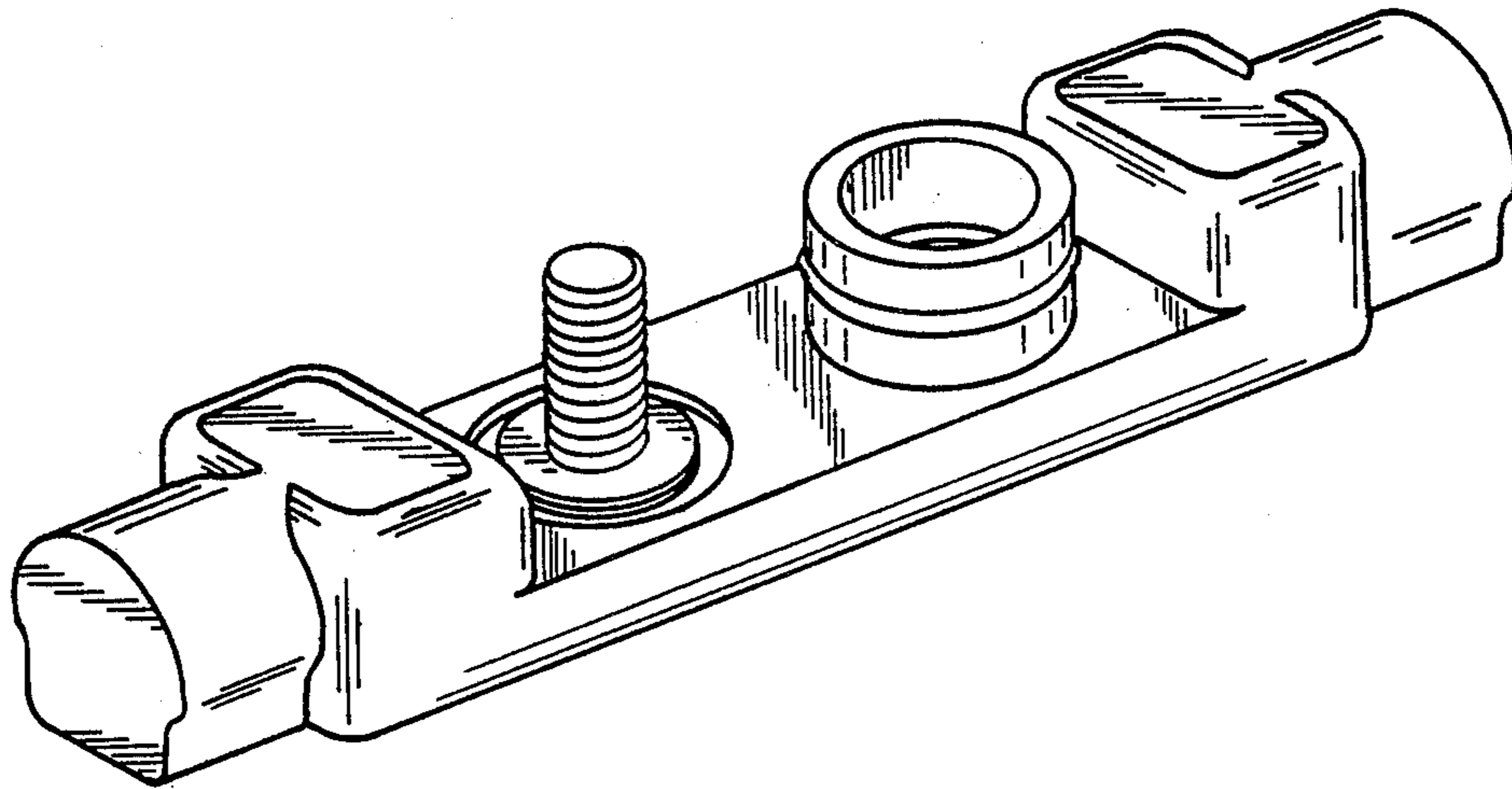
Primary Examiner—Susan J. Lucas  
Attorney, Agent, or Firm—Edmond T. Patnaude

[57] CLAIM

The ornamental design for a battery cable termination, as shown and described.

DESCRIPTION

FIG. 1 is a top, front, left end perspective view of a battery cable termination showing our new design;  
 FIG. 2 is a top plan view thereof;  
 FIG. 3 is a bottom plan view thereof;  
 FIG. 4 is a front elevational view thereof, the rear being a mirror image;  
 FIG. 5 is a right end elevational view thereof;  
 FIG. 6 is a left end elevational view thereof.



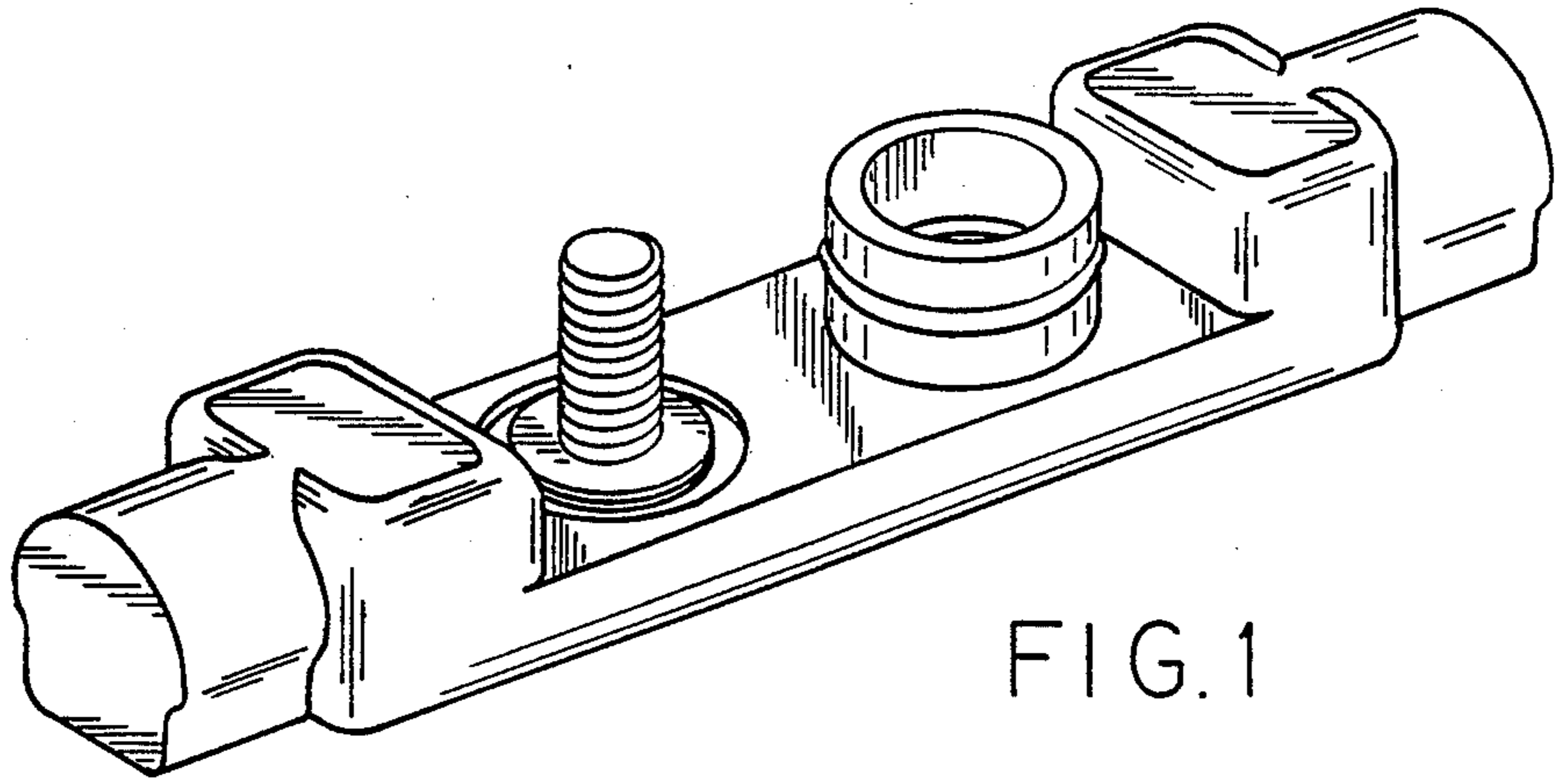


FIG. 1

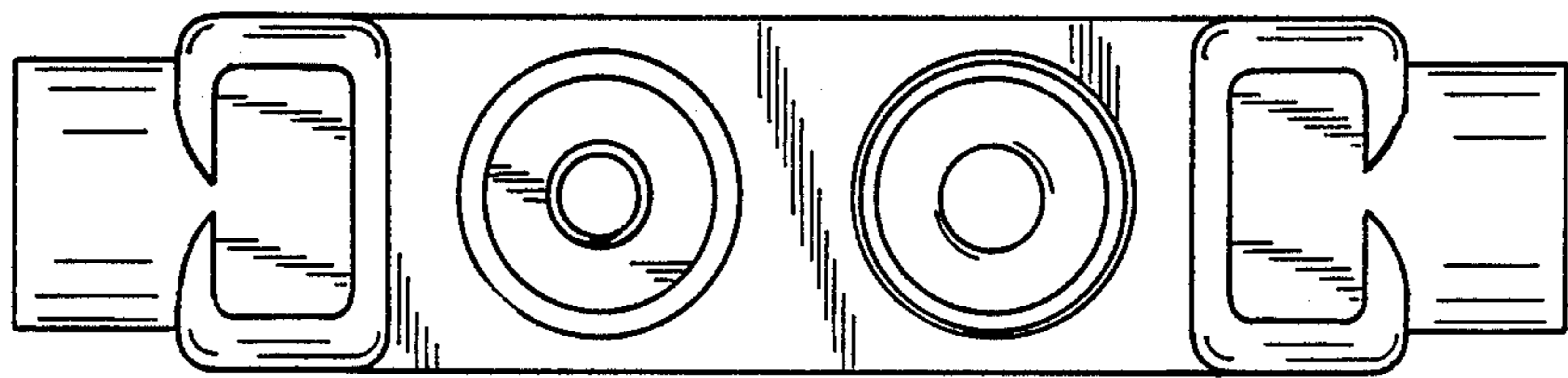


FIG. 2

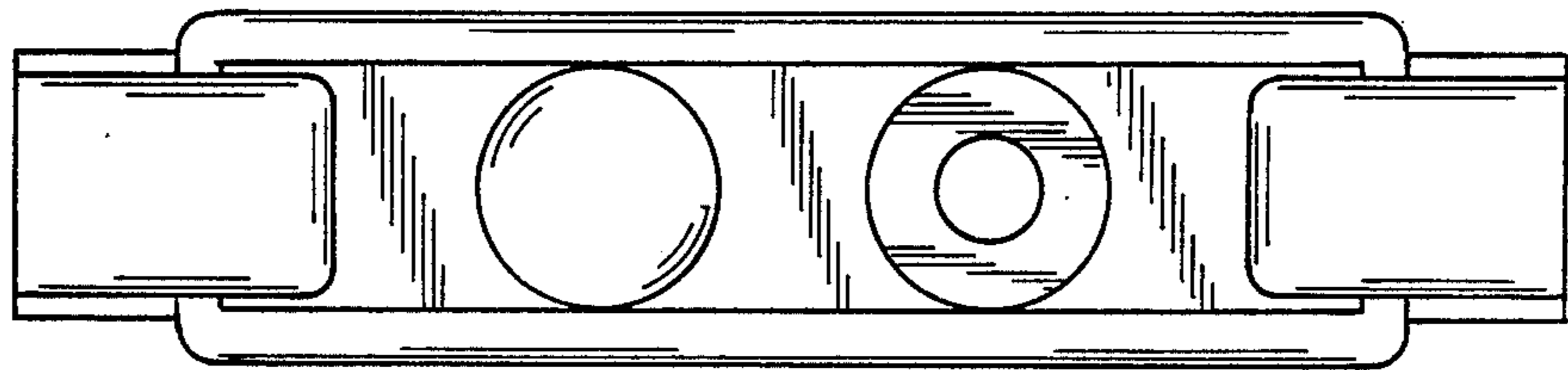


FIG. 3

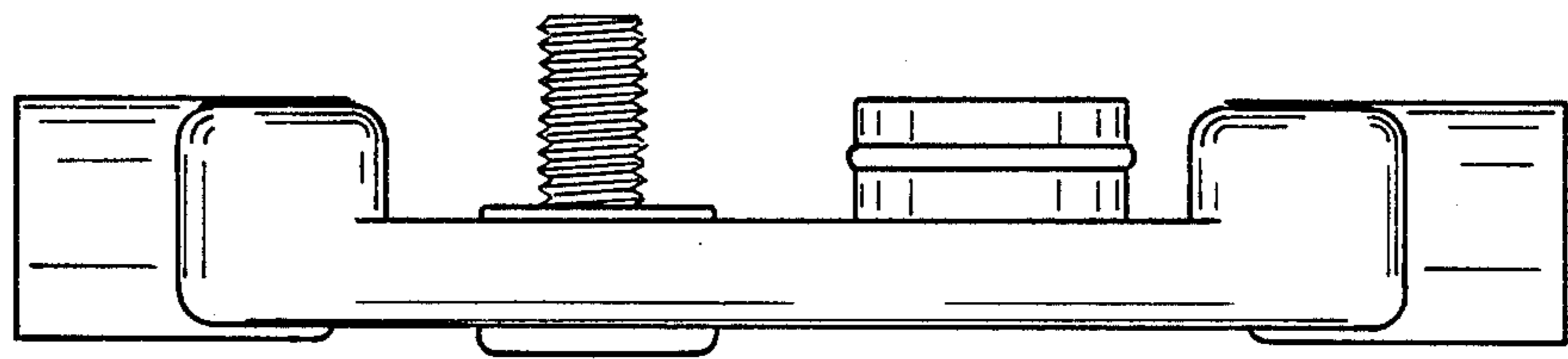


FIG. 4

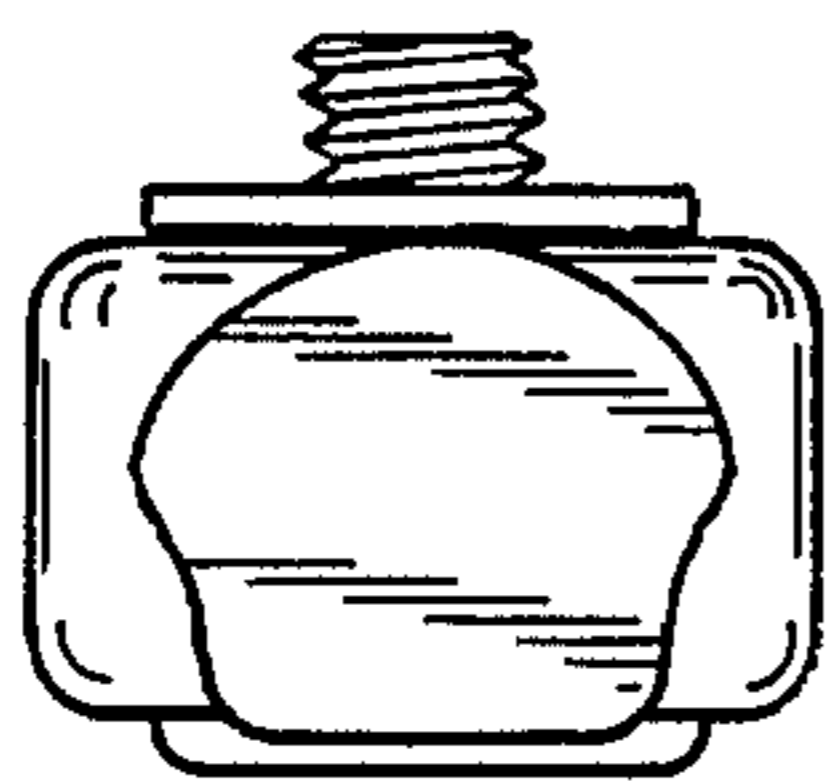


FIG. 5

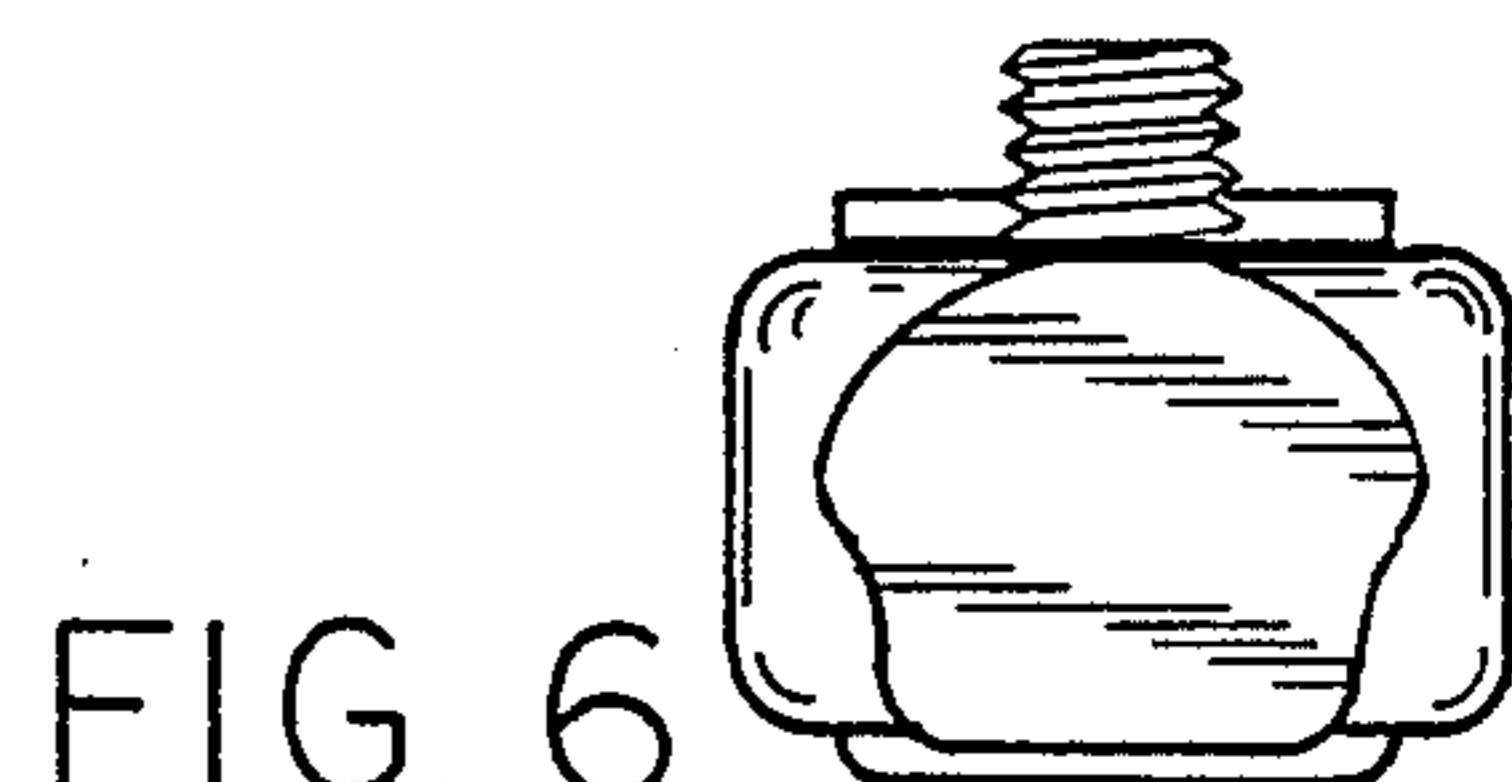


FIG. 6