

United States Patent [19]

Maglica et al.

[11] Patent Number: Des. 303,107

[45] Date of Patent: ** Aug. 29, 1989

[54] MINIATURE FLASHLIGHT RECHARGER

[75] Inventors: Anthony Maglica, Ontario; Ralph E. Johnson, Los Alamitos; Armis L. Lewis, Cucamonga, all of Calif.

[73] Assignee: MAG Instrument, Inc., Ontario, Calif.

[**] Term: 14 Years

[21] Appl. No.: 111,835

[22] Filed: Oct. 23, 1987

[52] U.S. Cl. D13/6

[58] Field of Search D13/4-6,
D13/11-12, 41; 320/2-5, 48, 61; 429/97-100;
362/183, 197, 187; D26/38

[56] References Cited

U.S. PATENT DOCUMENTS

D. 282,289 1/1986 Verdier D13/6

D. 289,997 5/1987 Rakocy et al. D13/6
D. 297,828 9/1988 Bromley et al. D13/6
3,181,974 5/1965 Barbera D13/10
4,092,580 5/1978 Pinnszc D13/6
4,171,534 10/1979 Strowe 362/183

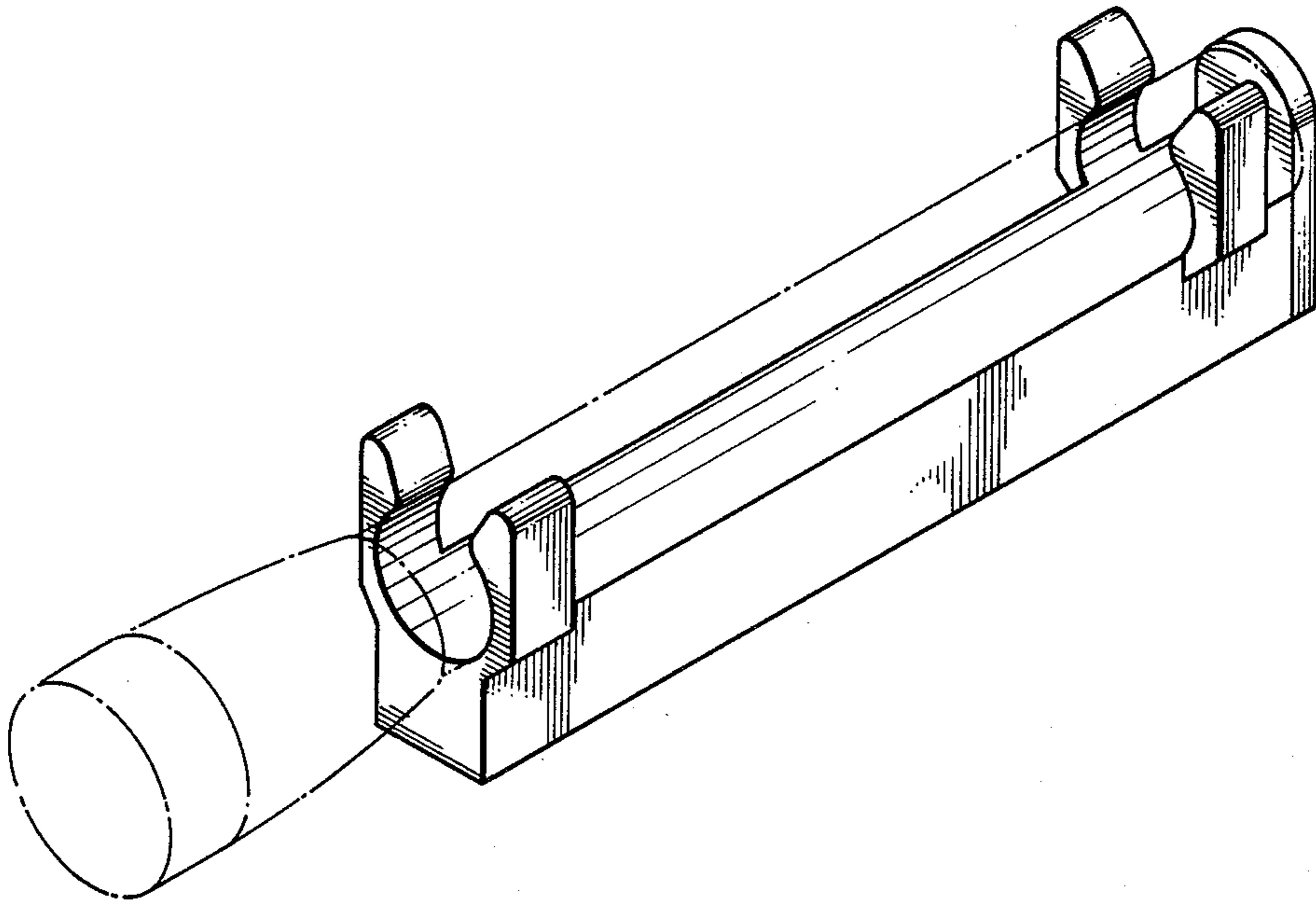
Primary Examiner—Bruce W. Dunkins
Assistant Examiner—Ruth Takemoto
Attorney, Agent, or Firm—Lyon & Lyon

[57] CLAIM

The ornamental design for a miniature flashlight recharger, as shown.

DESCRIPTION

FIG. 1 is a top, front and side perspective view of a miniature flashlight recharger showing our new design; FIG. 2 is a front elevational view thereof; FIG. 3 is a rear elevational view thereof; FIG. 4 is a side elevational view thereof; FIG. 5 is a top plan view thereof; and FIG. 6 is a bottom plan view thereof.



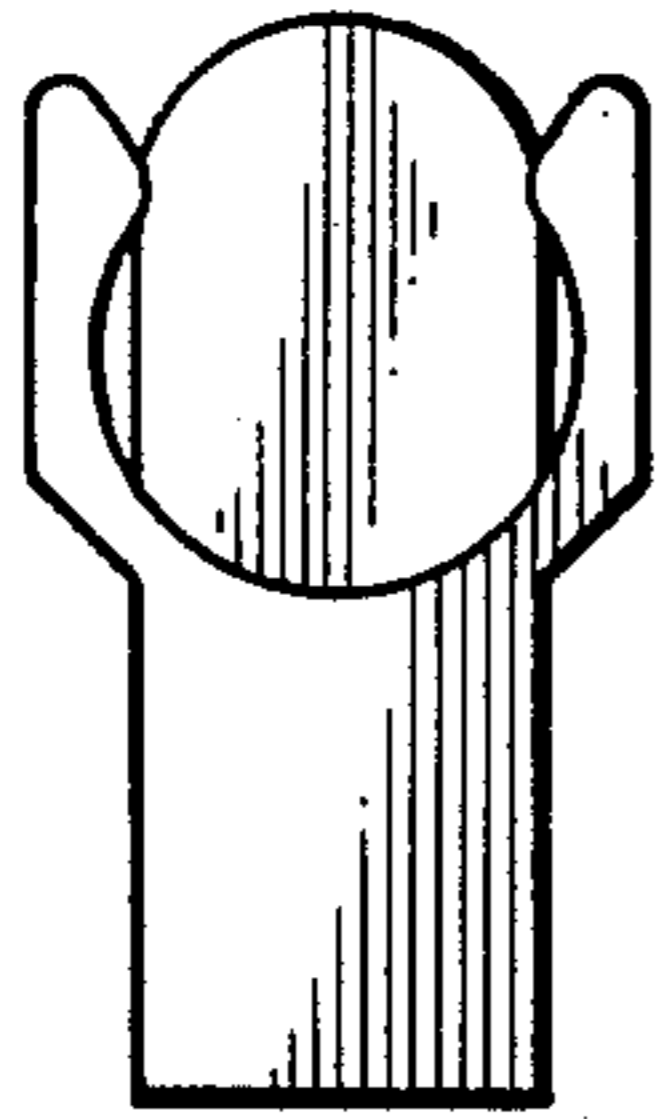


FIG. 2.

FIG. 1.

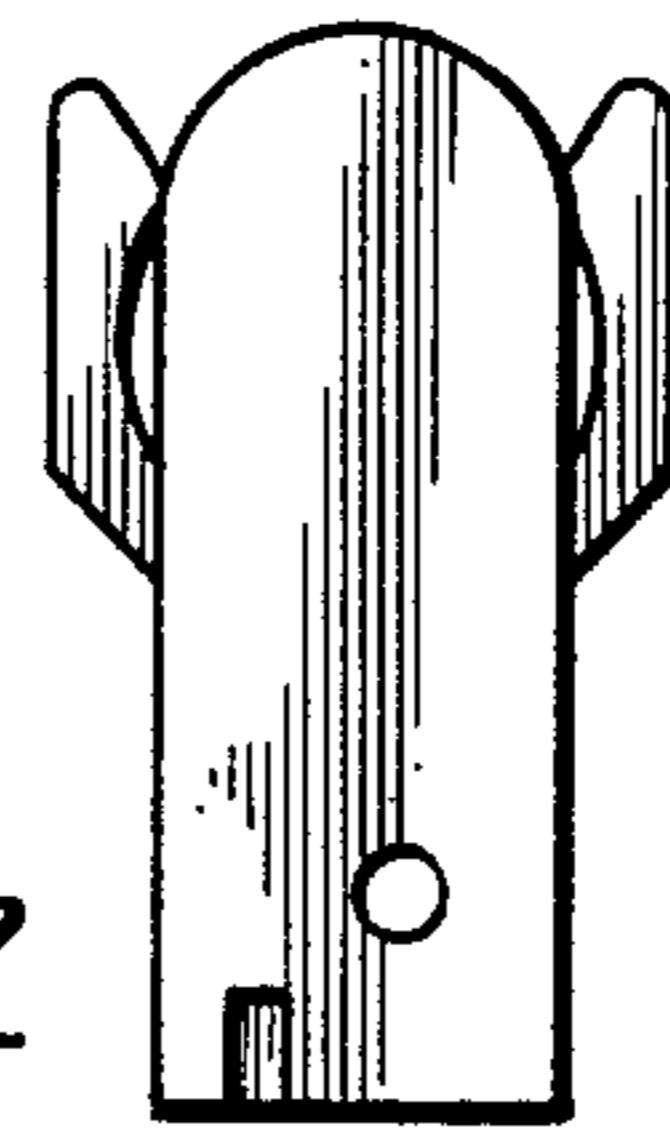
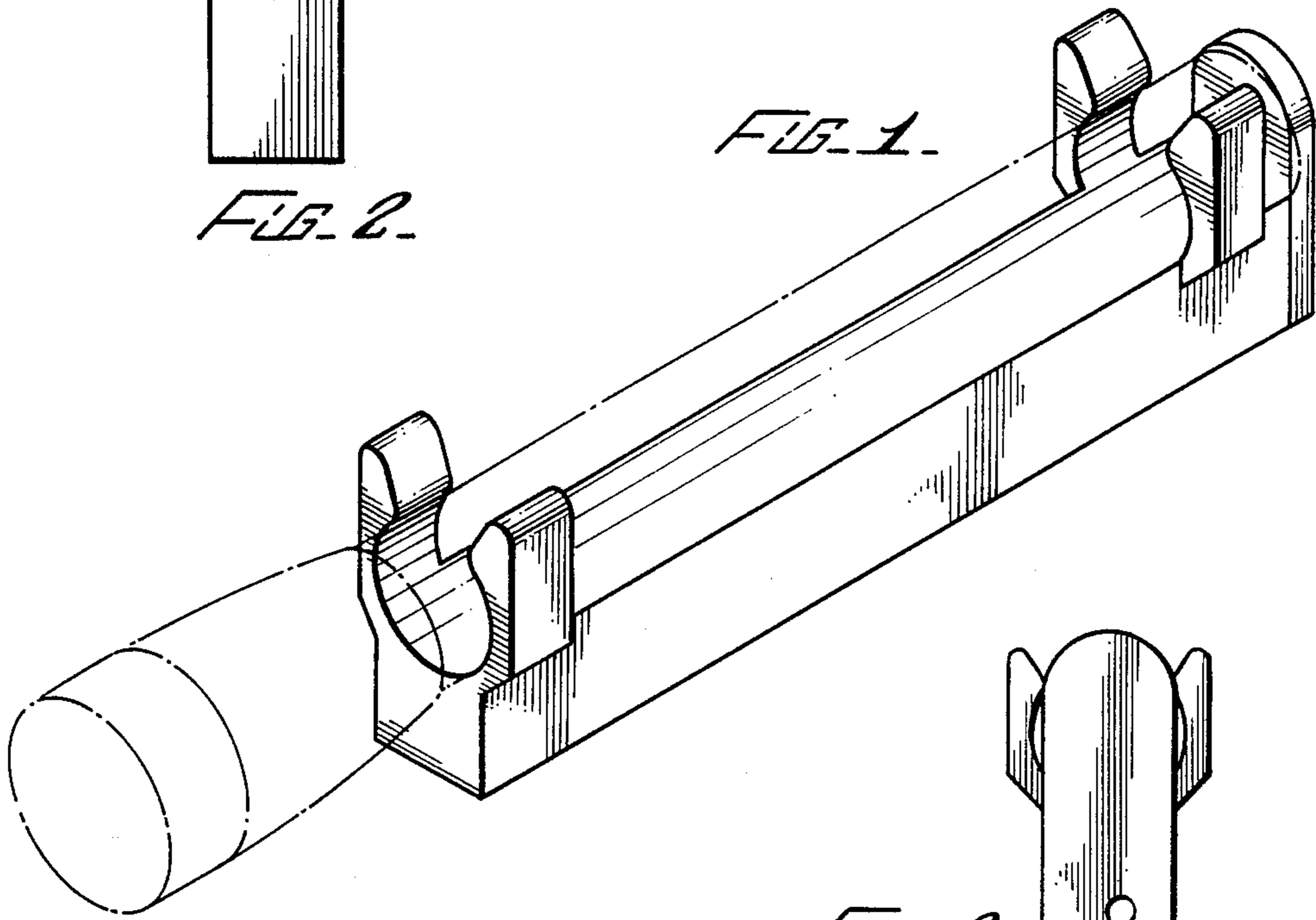


FIG. 3.

FIG. 4.



FIG. 5.

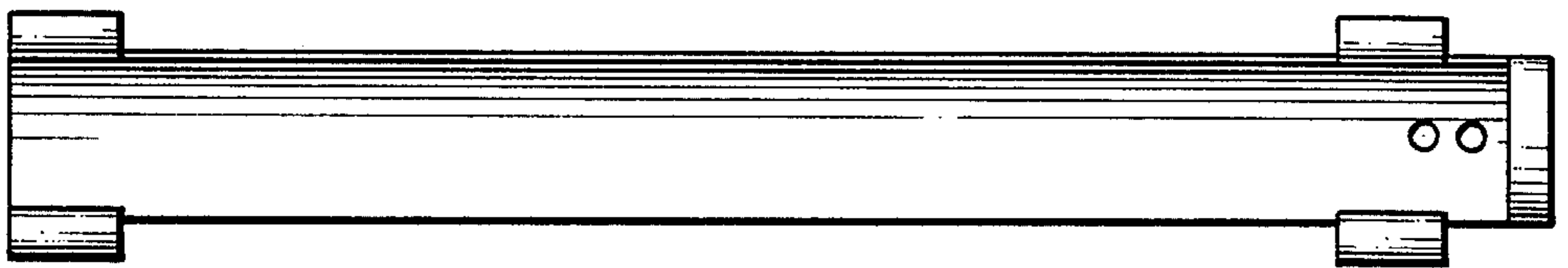


FIG. 6.

