

[54] BICYCLE RACK

3,794,227 2/1974 Stearns D12/158
4,676,413 6/1987 Began et al. 224/42.03 B

[76] Inventors: Melvin G. Peterman, 7720 SW. Bel Aire Dr., #4, Beaverton, Oreg. 97005; Bradley A. Stivers, 608 Cottonwood Dr., Richland, Wash. 99352

Primary Examiner—James M. Gandy
Assistant Examiner—Melody Brown
Attorney, Agent, or Firm—Kolisich, Hartwell & Dickinson

[**] Term: 14 Years

[57] CLAIM

[21] Appl. No.: 96,144

The ornamental design for a bicycle rack, as shown and described.

[22] Filed: Sep. 11, 1987

DESCRIPTION

[52] U.S. Cl. D12/158

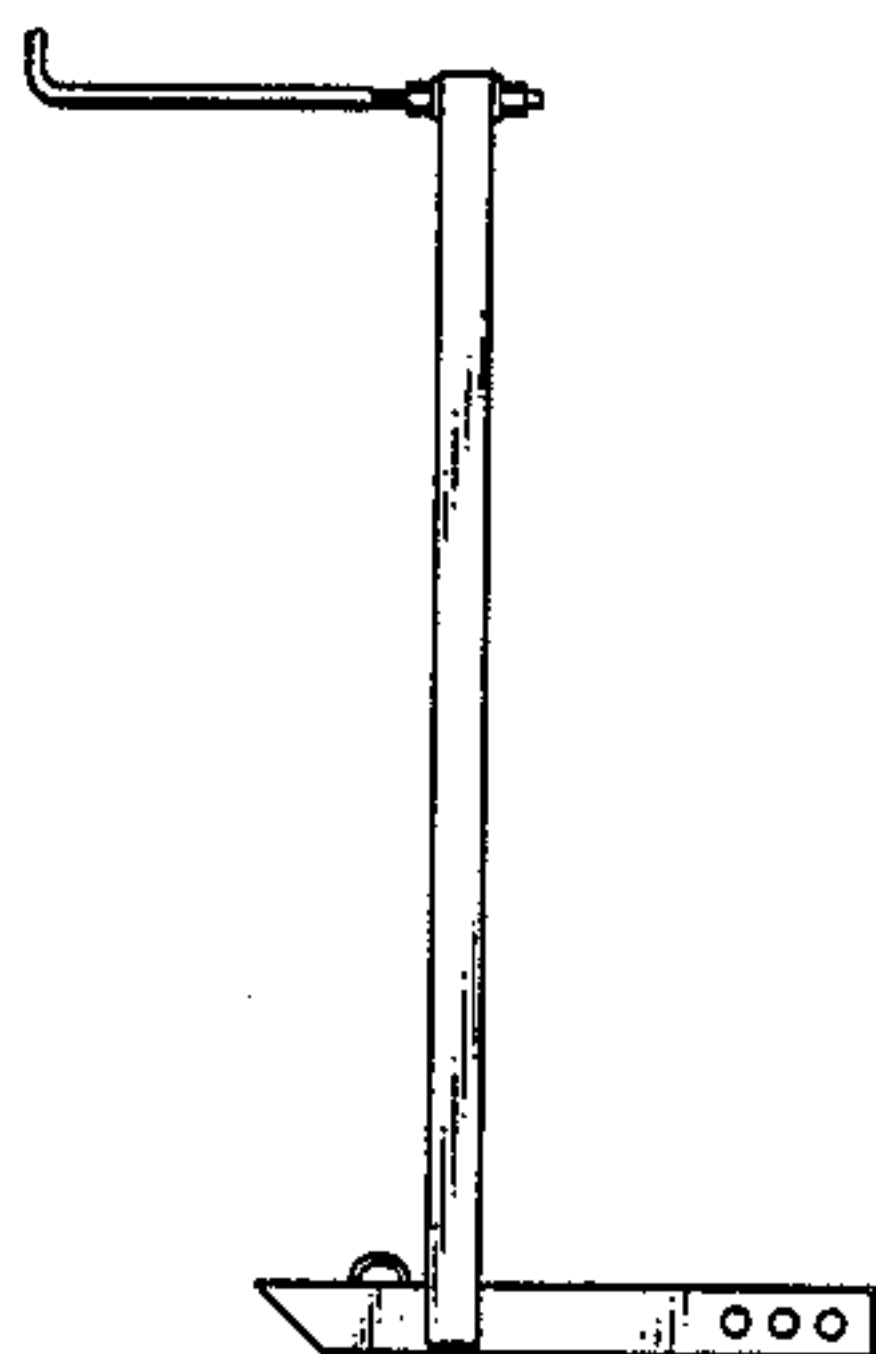
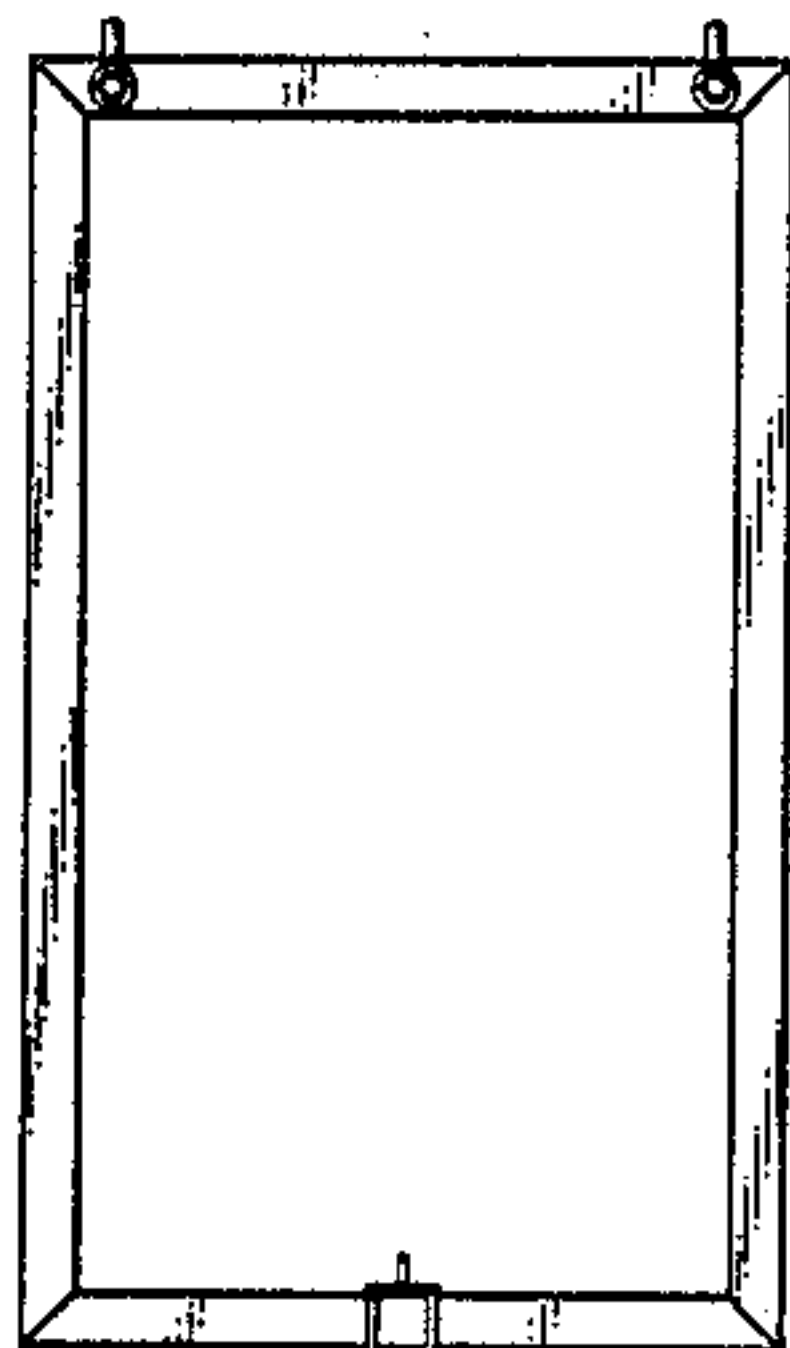
[58] Field of Search D12/158; 224/42.03 B

FIG. 1 is a front elevational view of a bicycle rack showing our new design;
FIG. 2 is a rear elevational view thereof;
FIG. 3 is a right side elevational view thereof, which is a mirror image of a left side elevational view thereof;
FIG. 4 is a top plan view thereof; and
FIG. 5 is a bottom plan view thereof.

[56] References Cited

U.S. PATENT DOCUMENTS

D. 294,564 2/1988 Stoecker D12/158
2,432,732 12/1947 Del Cano D12/158



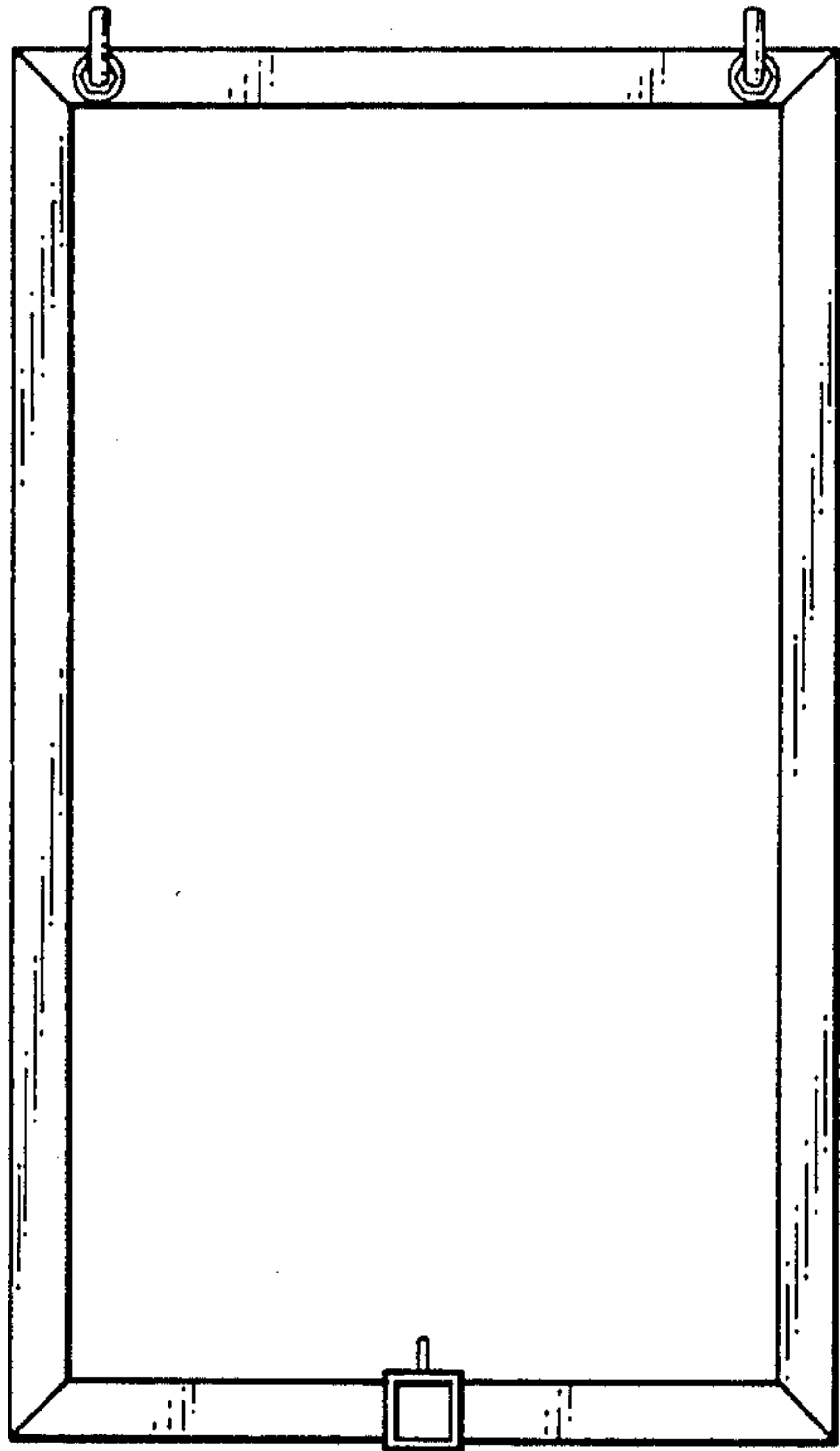


FIG. 1

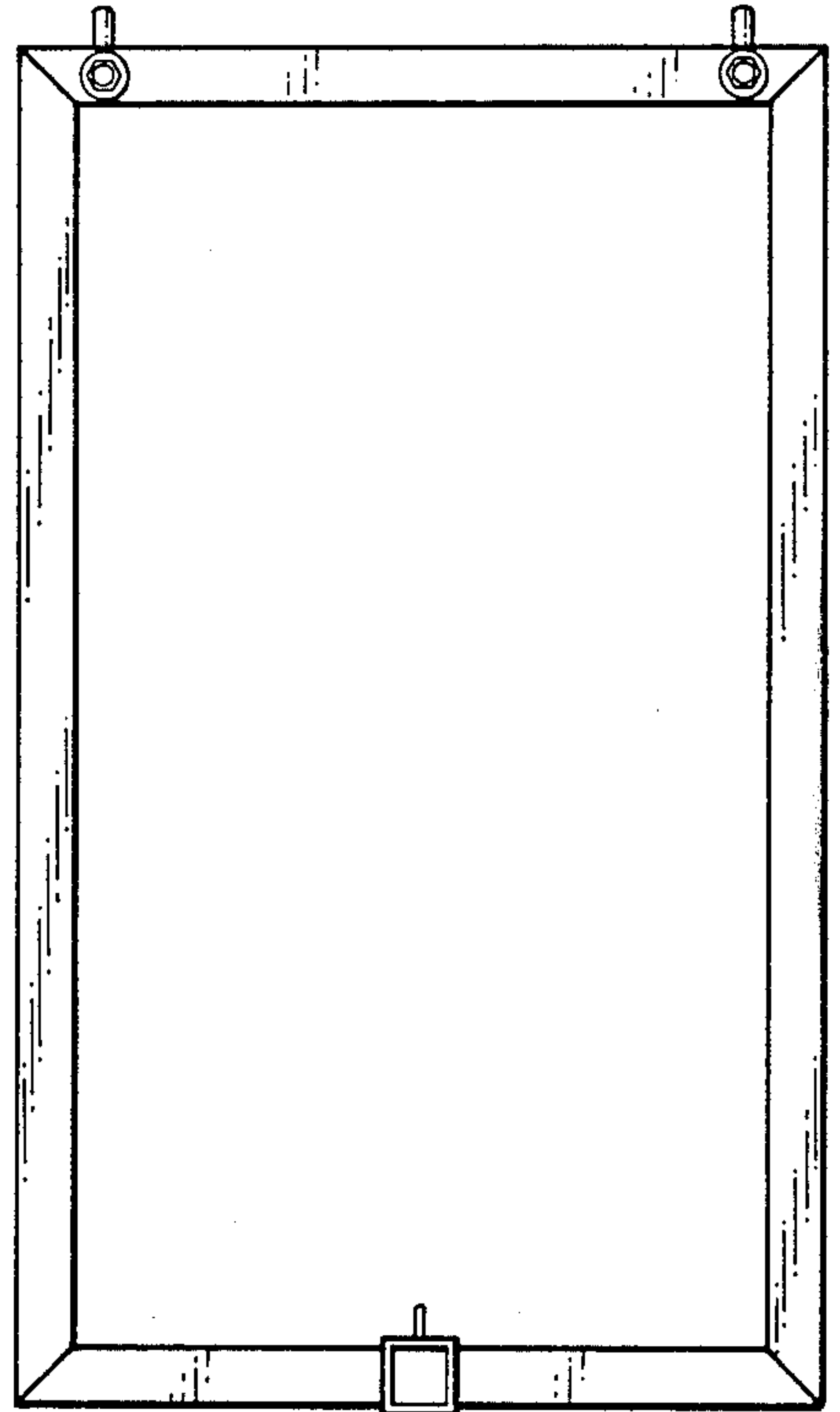


FIG. 2

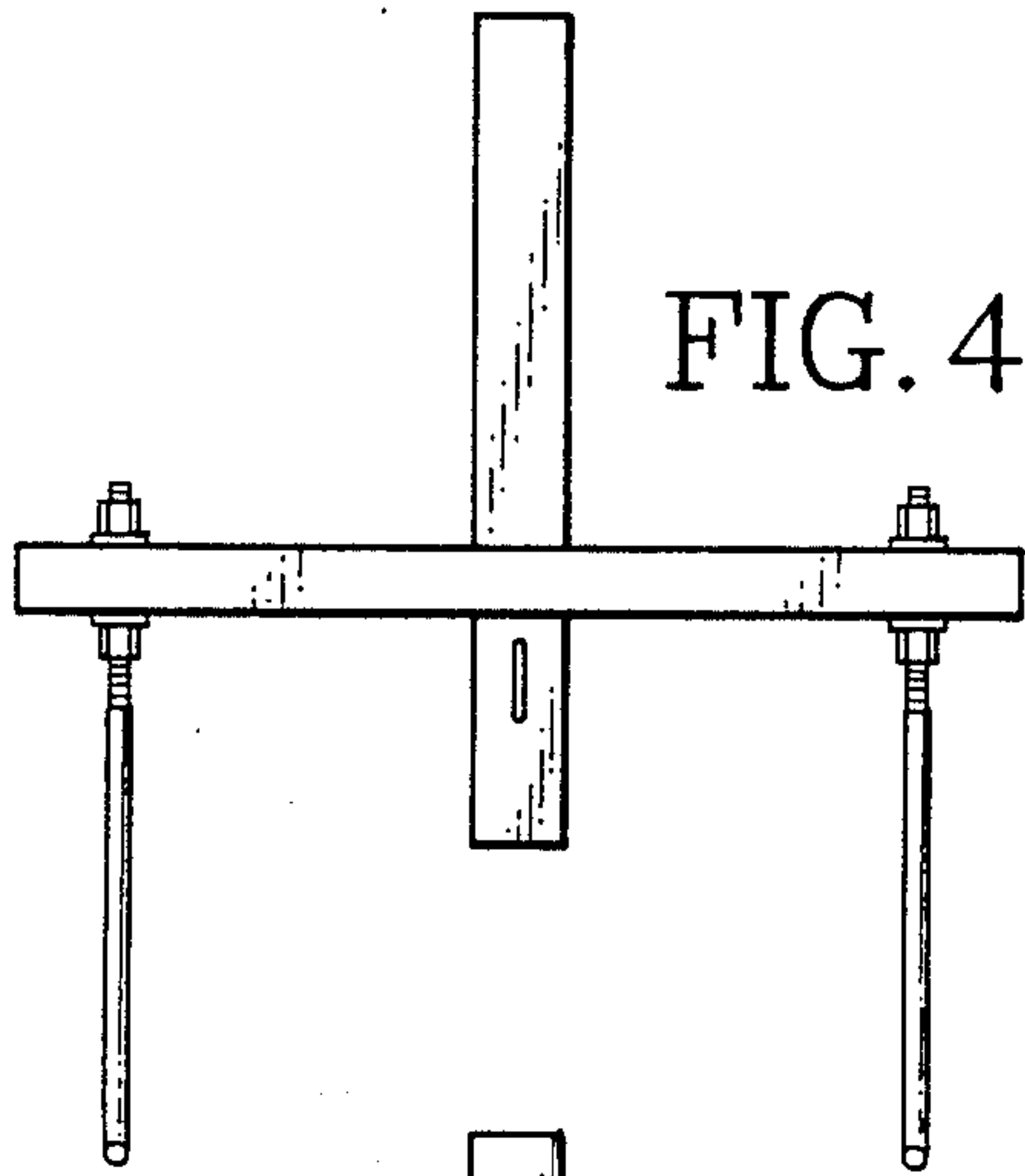


FIG. 4

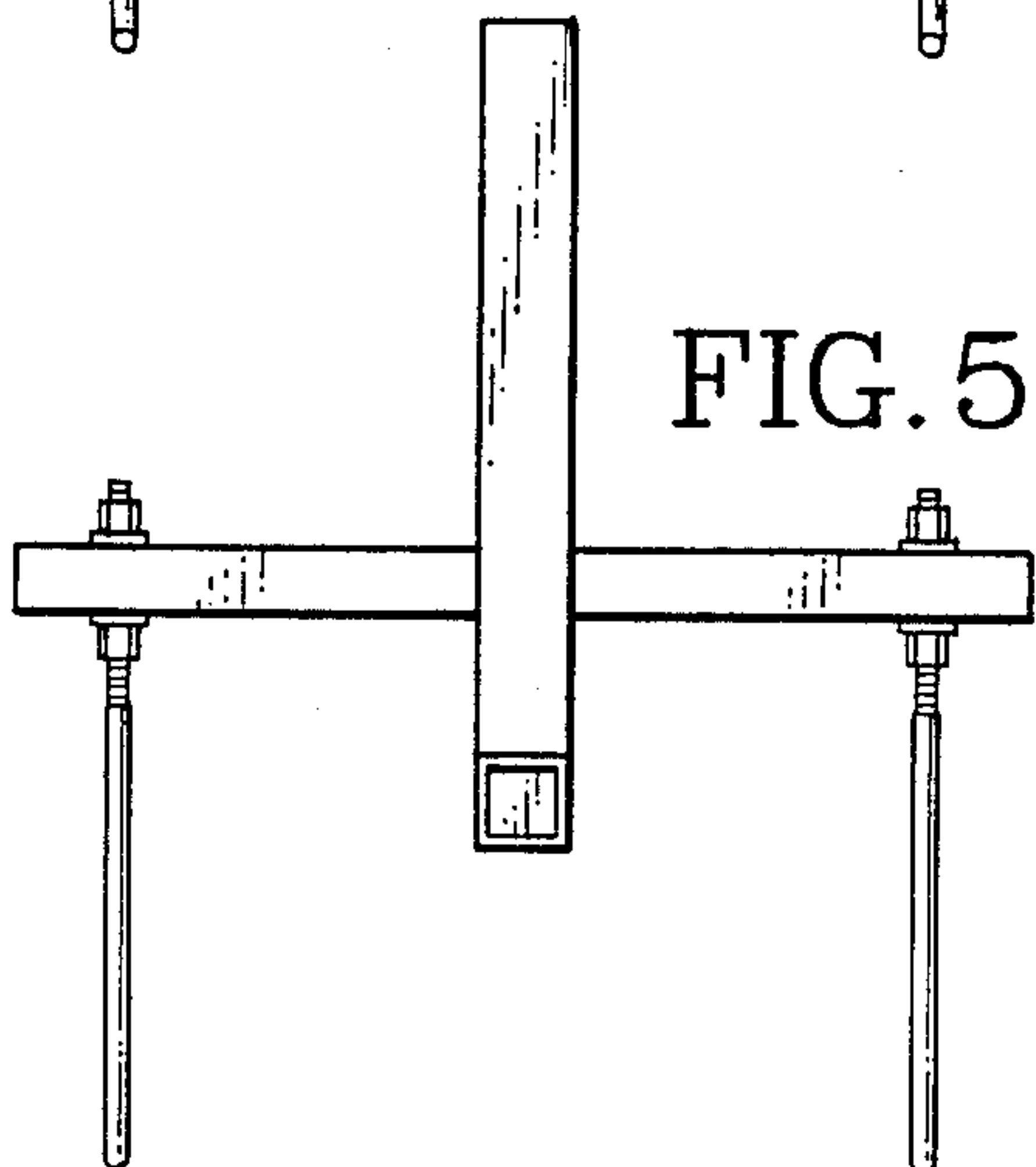


FIG. 5

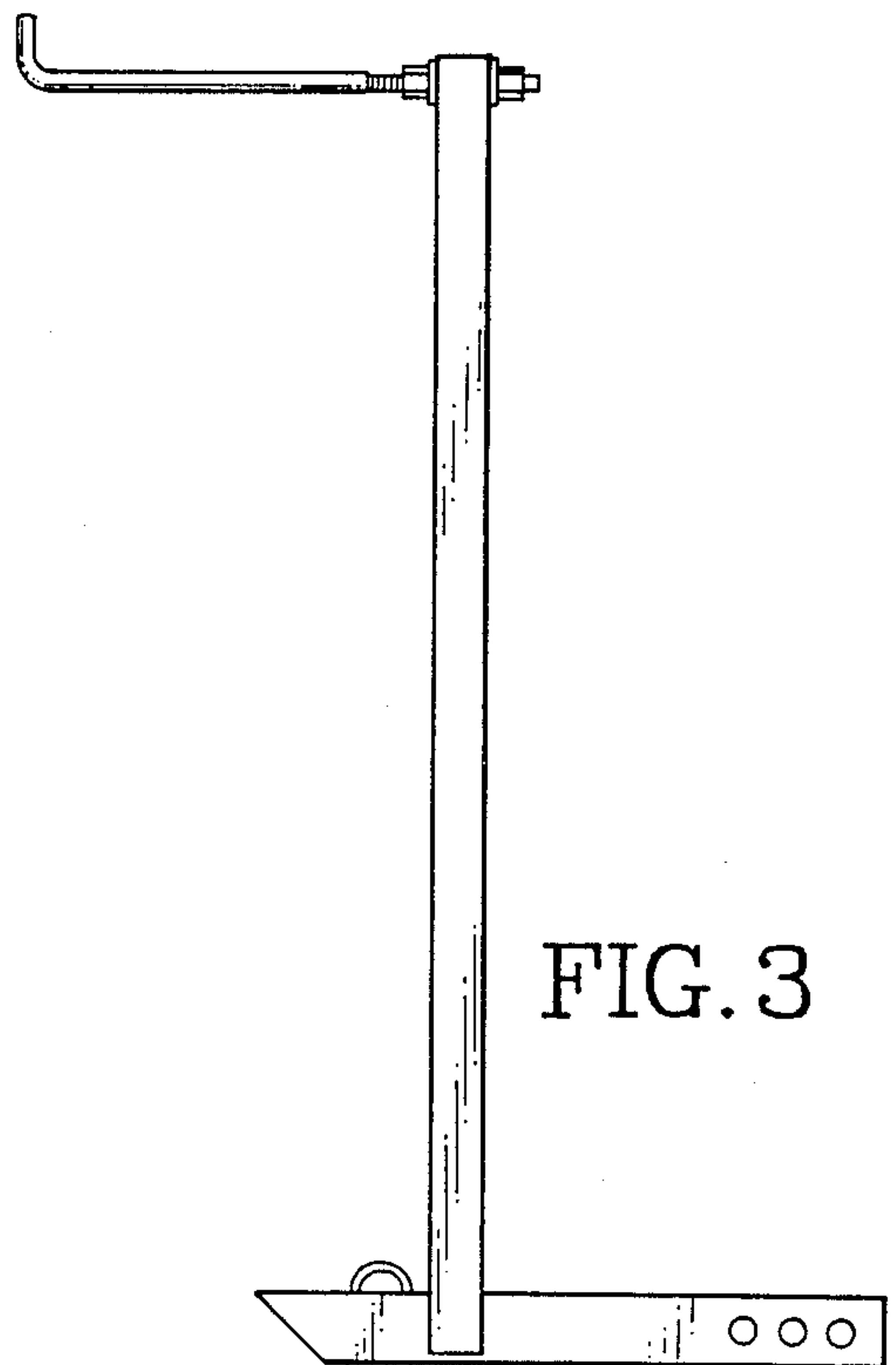


FIG. 3