

[54] PENNANT WINDSOCK

[76] Inventor: Jolynn Rolofson, R.R. 2, 17
Florentina, Platte City, Mo. 64079

[**] Term: 14 Years

[21] Appl. No.: 931,570

[22] Filed: Nov. 17, 1986

[52] U.S. Cl. D10/109

[58] Field of Search D10/109; 40/612, 215,
40/413; 116/173, 264, 265, DIG.8; 73/189,
188; 244/153 R

[56] References Cited

U.S. PATENT DOCUMENTS

1,401,626	12/1921	Mader	116/73
2,498,270	3/1948	Hawley	D10/109
3,696,672	10/1972	Lindsay	73/189
4,286,463	12/1981	Cole	73/189
4,553,430	11/1985	Behrens	73/189
4,730,488	3/1988	David	73/189

Primary Examiner—Wallace R. Burke

Assistant Examiner—Randy Nowlin
Attorney, Agent, or Firm—Kokjer, Kircher, Bradley,
Wharton, Bowman & Johnson

[57] CLAIM

The ornamental design for a pennant windsock, as shown and described.

DESCRIPTION

FIG. 1 is a perspective view of a pennant windsock embodying the new design;

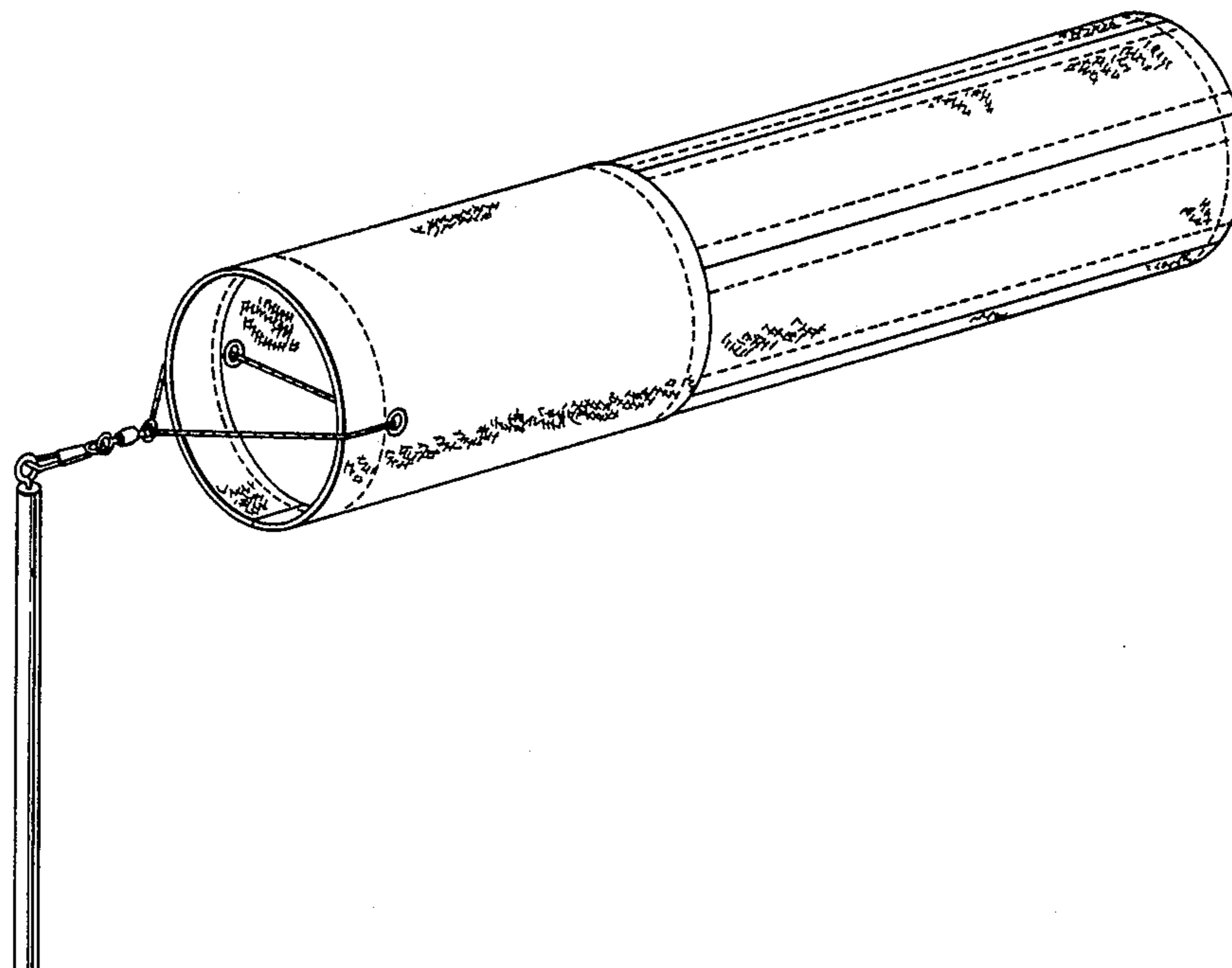
FIG. 2 is a side elevational view taken from one side, thereof;

FIG. 3 is a top plan view thereof, the bottom being substantially identical;

FIG. 4 is an end elevational view thereof taken from one end; and

FIG. 5 is an end elevational view thereof taken from the other end.

The supporting post is shown broken away to indicate indeterminate length. The broken lines represent conventional stitching and the cross-line shading represents a conventional fabric.



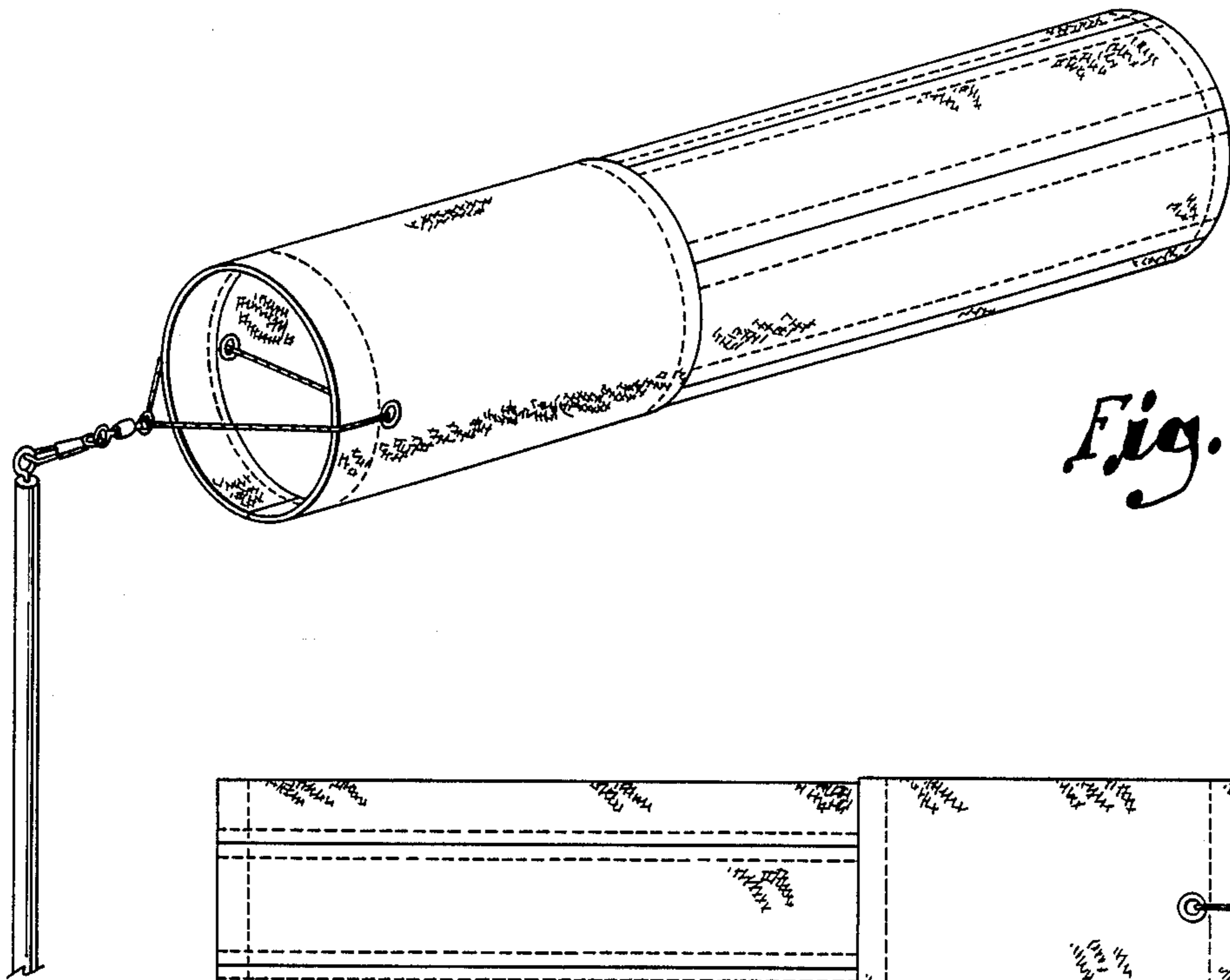


Fig. 1.



Fig. 2.

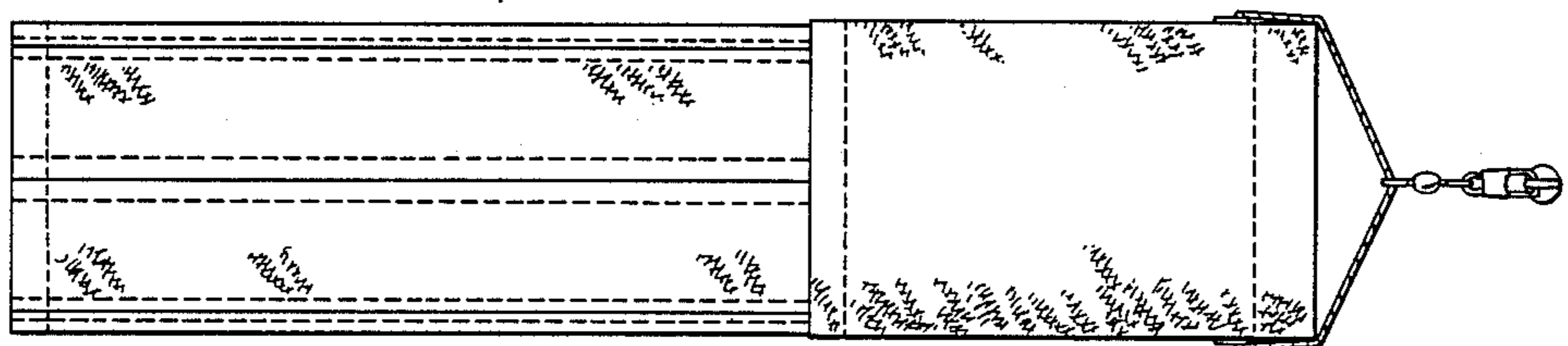


Fig. 3.

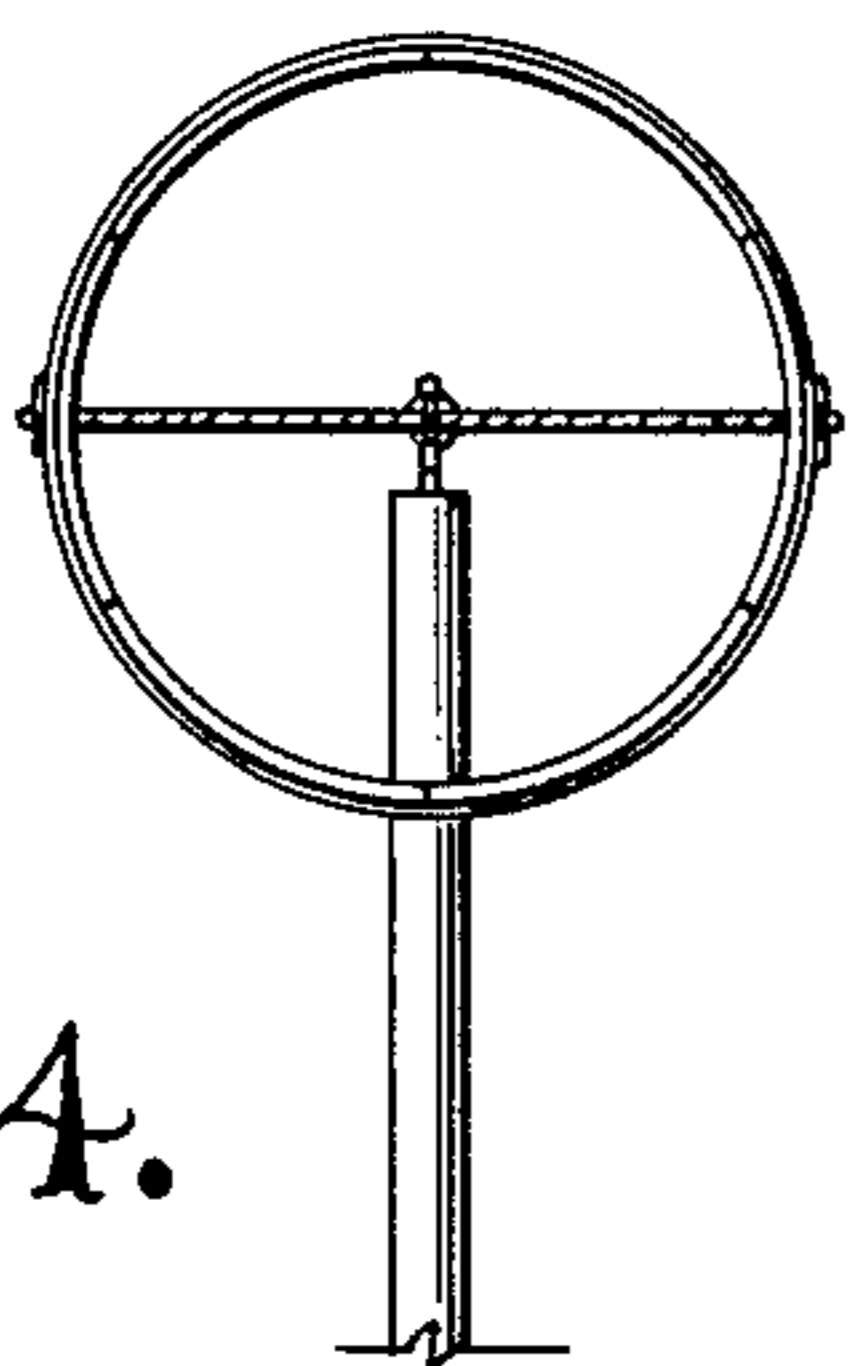


Fig. 4.

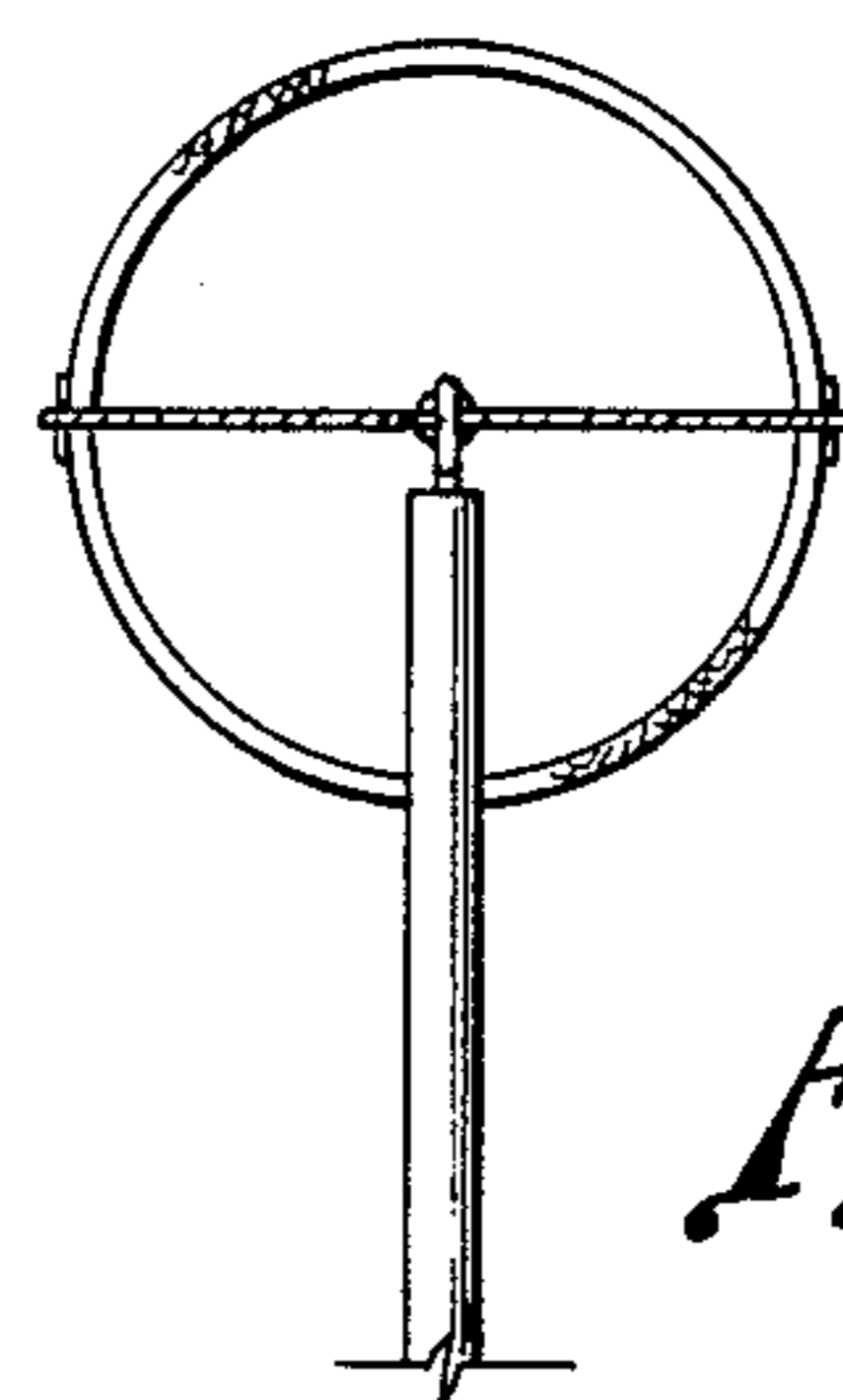


Fig. 5.