

[54] ERGONOMIC DIGITAL WRISTWATCH
[75] Inventor: John T. Houlihan, Watertown, Conn.
[73] Assignee: Timex Corporation, Waterbury, Conn.
[**] Term: 14 Years
[21] Appl. No.: 905,616
[22] Filed: Sep. 5, 1986
[52] U.S. Cl. D10/38
[58] Field of Search D10/30-39,
D10/122-126; 368/82-84, 239-242, 276-277,
280-282, 285

D. 295,841 5/1988 Kano D10/39
4,504,062 3/1985 Smith D10/38
4,629,329 12/1986 Komiyama 368/10
4,668,100 5/1987 Murakami 368/10

Primary Examiner—Nelson C. Holtje
Attorney, Agent, or Firm—William C. Crutcher

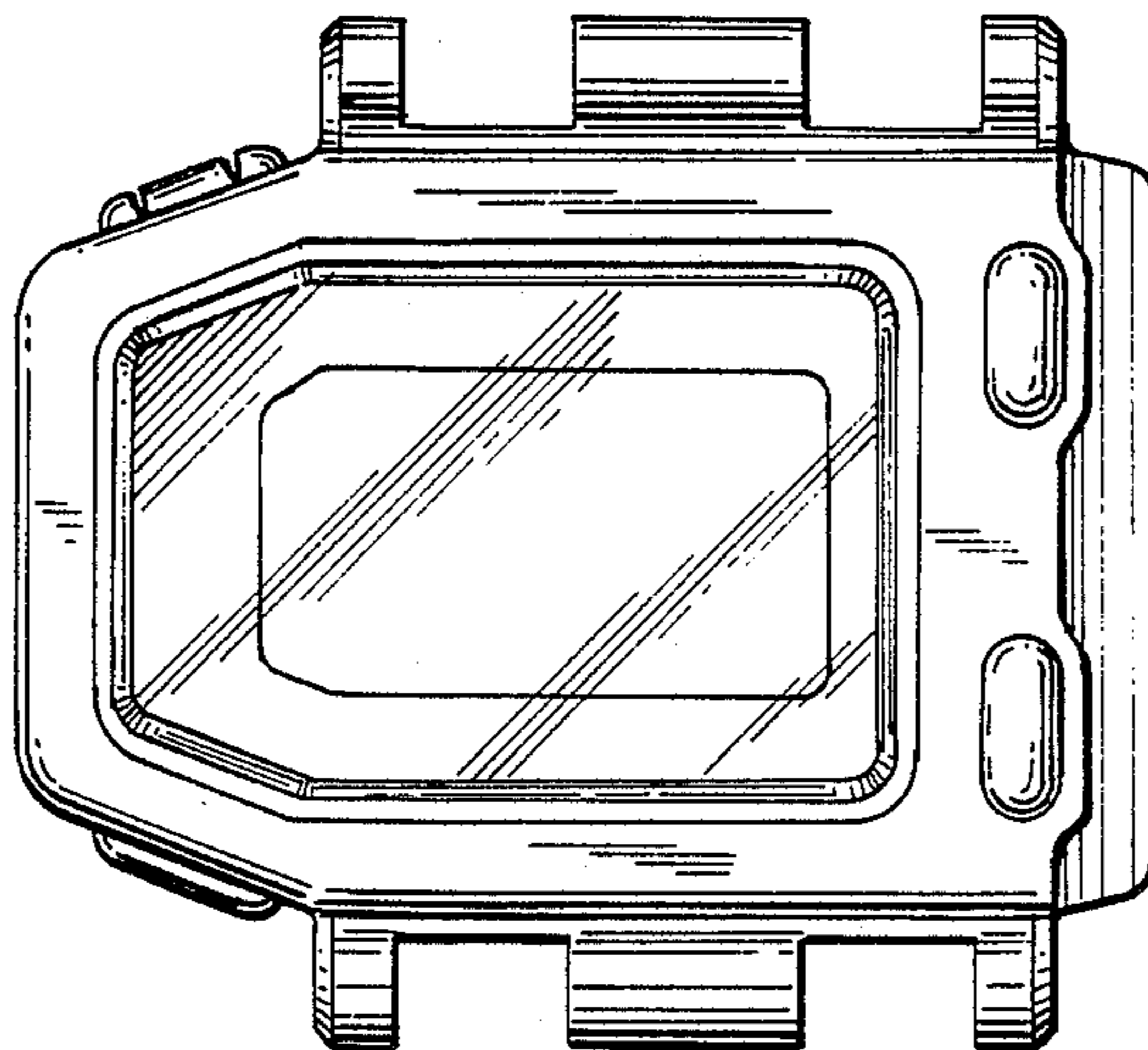
[57] CLAIM

The ornamental design for a "ergonomic digital wrist-watch", as shown and described.

DESCRIPTION

FIG. 1 is a top plan view of an ergonomic digital wrist-watch showing my new design;
FIG. 2 is a left side elevational view thereof;
FIG. 3 is a rear elevational view thereof;
FIG. 4 is a right side elevational view thereof;
FIG. 5 is a front elevational view thereof;
FIG. 6 is a bottom plan view thereof.

[56] References Cited
U.S. PATENT DOCUMENTS
D. 285,662 9/1986 Kano D10/39



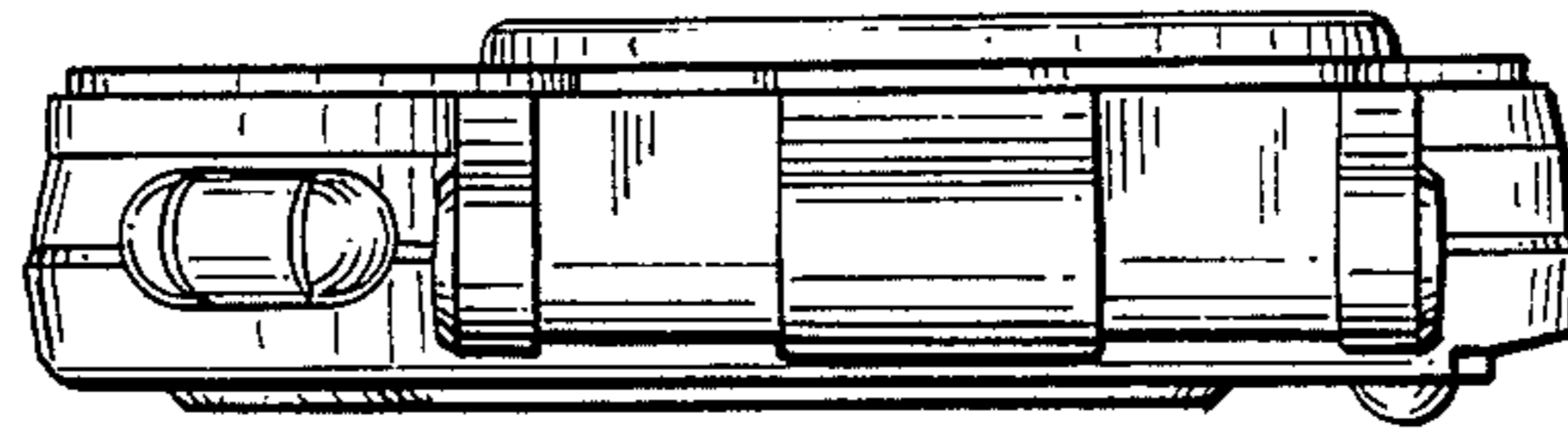


FIG. 3



FIG. 2

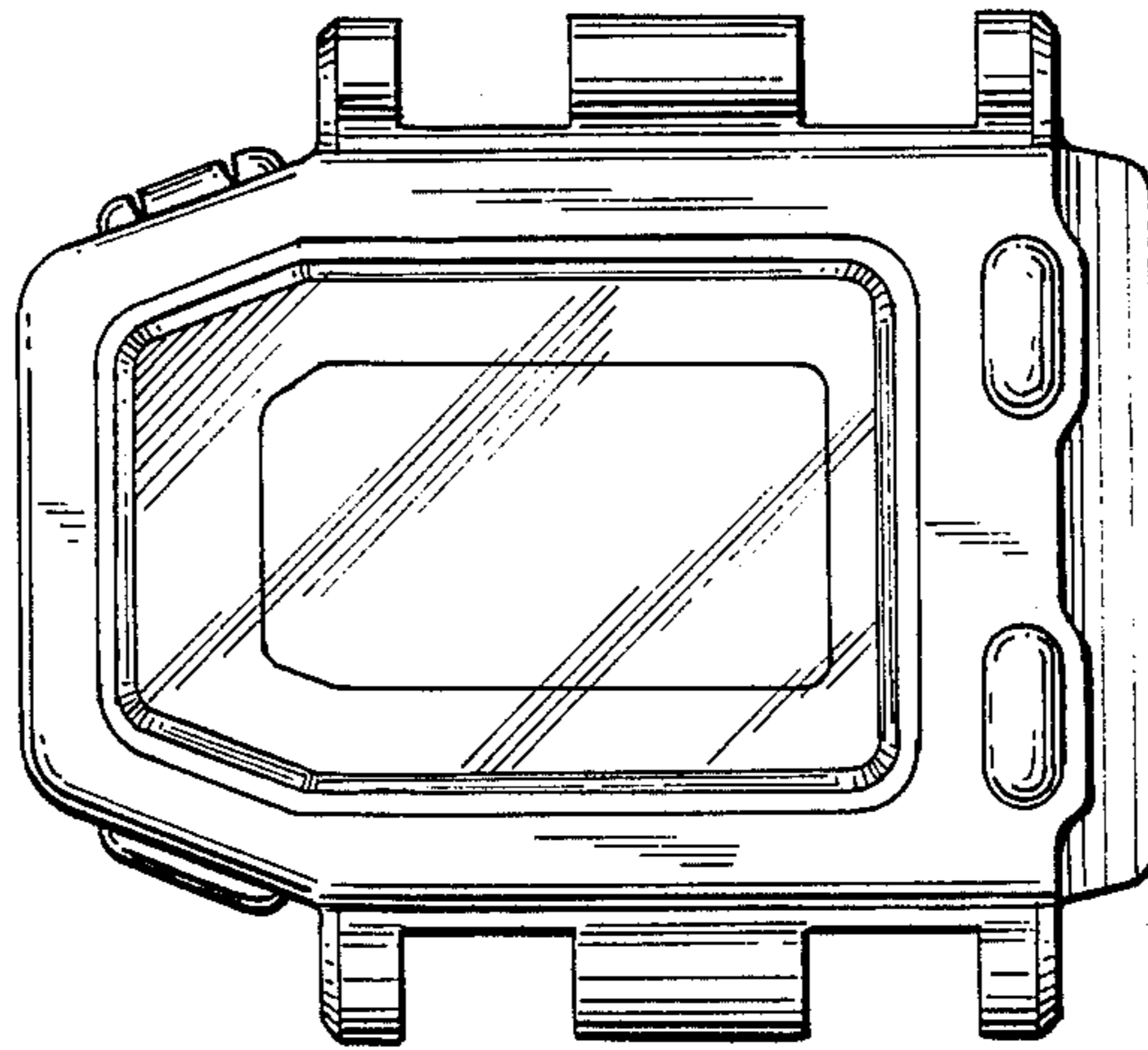


FIG. 1

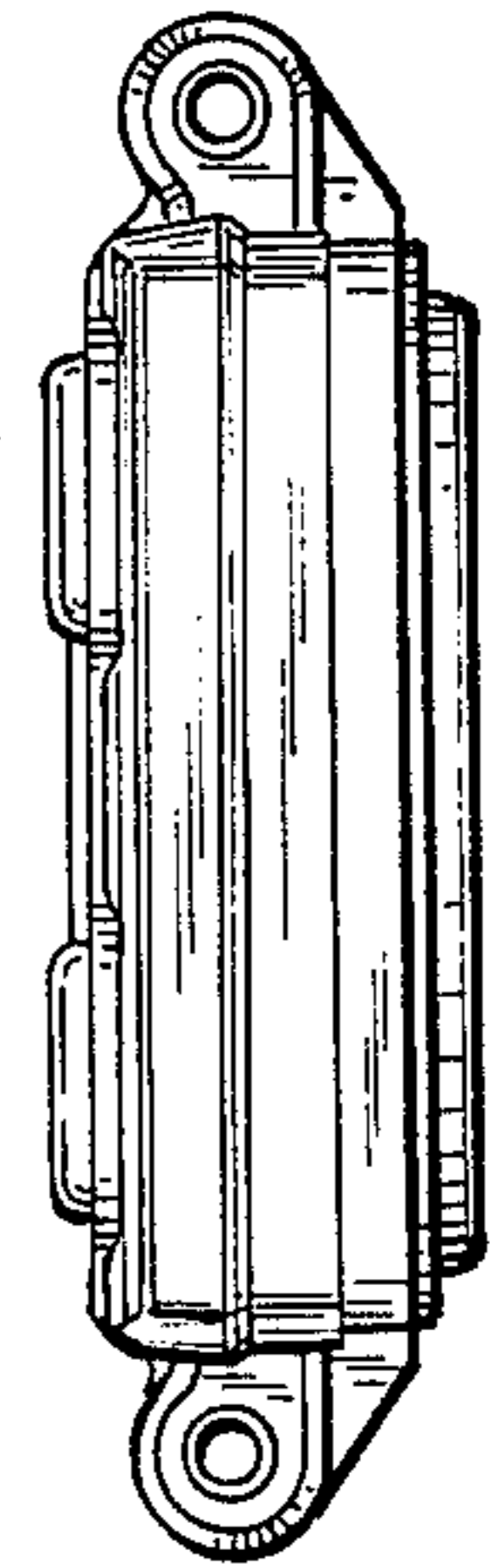


FIG. 4

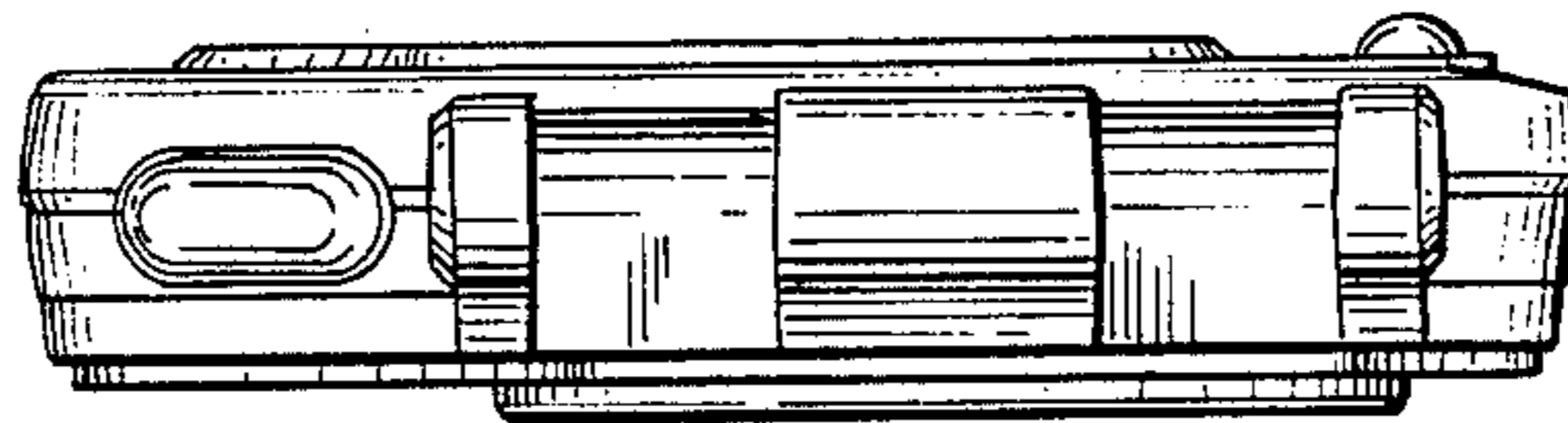


FIG. 5

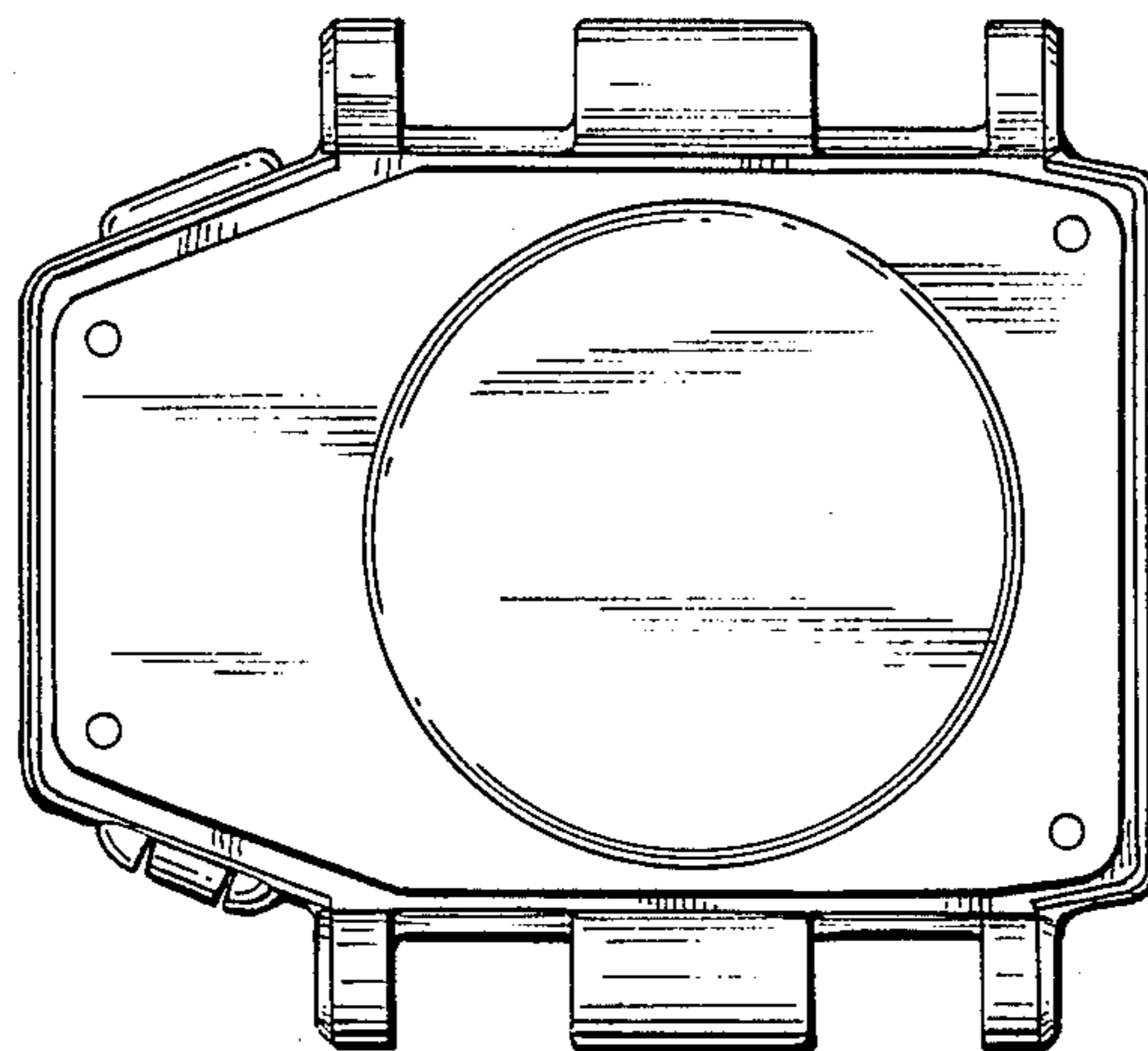


FIG. 6