

[54] BOTTLE

- [75] Inventor: Gary E. Gendron, Boiceville, N.Y.
[73] Assignee: Marpac Industries, Inc., Waldwick, N.J.
[**] Term: 14 Years
[21] Appl. No.: 847,618
[22] Filed: Apr. 1, 1986
[52] U.S. Cl. D9/378; D9/341
[58] Field of Search D9/337, 347, 341, 367, D9/370, 373, 374, 375, 376, 383, 378, 401, 403, 404, 409, 413, 382; 215/1 R, 1 C, 6, 100 A; 220/94 A; 222/572, 465.1

[56] References Cited

U.S. PATENT DOCUMENTS

- | | | | | |
|------------|---------|-----------------|-------|----------|
| D. 194,285 | 12/1962 | Miller | | D9/378 |
| D. 212,735 | 11/1968 | Osborn | | D9/376 |
| D. 213,763 | 4/1969 | Plummer | | D9/378 |
| D. 234,019 | 12/1974 | D'Alo | | D9/375 |
| D. 270,429 | 9/1983 | Anderson et al. | | D9/378 X |
| 519,601 | 5/1894 | Dryfoos | | 215/6 |

OTHER PUBLICATIONS

Packaging, Dec. 1984, p. 15, Omnicide Bottle.

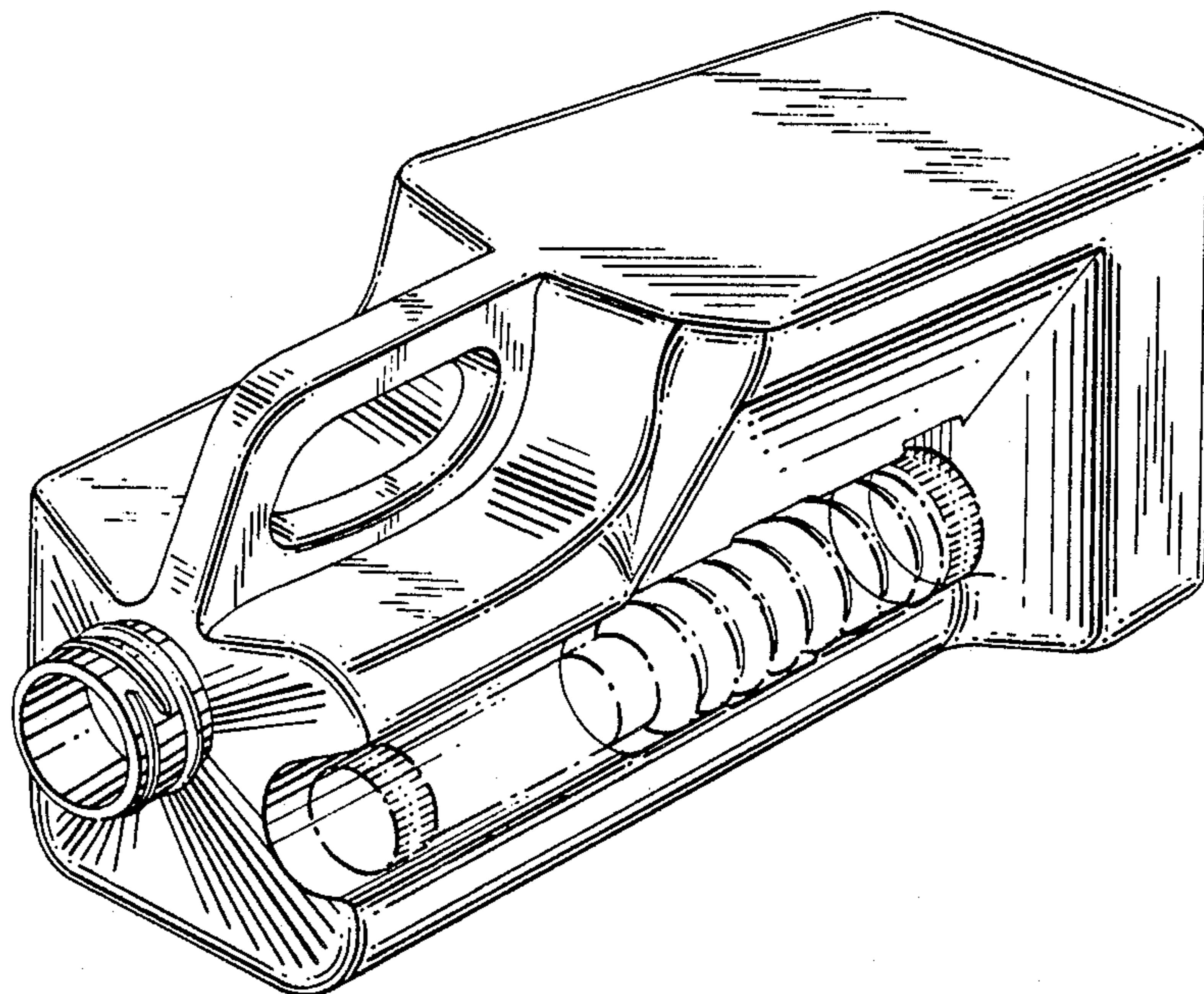
Primary Examiner—Melvin B. Feifer
Assistant Examiner—Lucy Lieberman
Attorney, Agent, or Firm—W. Patrick Quast

[57] CLAIM

The ornamental design for a bottle, as shown and described.

DESCRIPTION

FIG. 1 is a perspective view of a bottle showing my new design with a spout attachment shown in broken lines for illustrative purposes only; FIG. 2 is a side elevation thereof; FIG. 3 is a top plan view thereof; FIG. 4 is a side elevation as seen from the opposite side of FIG. 2; FIG. 5 is a bottom plan view thereof; FIGS. 6 and 7 are opposite end elevation views thereof; and FIGS. 8, 9, 10, 11 and 12 are sectional views taken along respective lines depicted in FIG. 2.



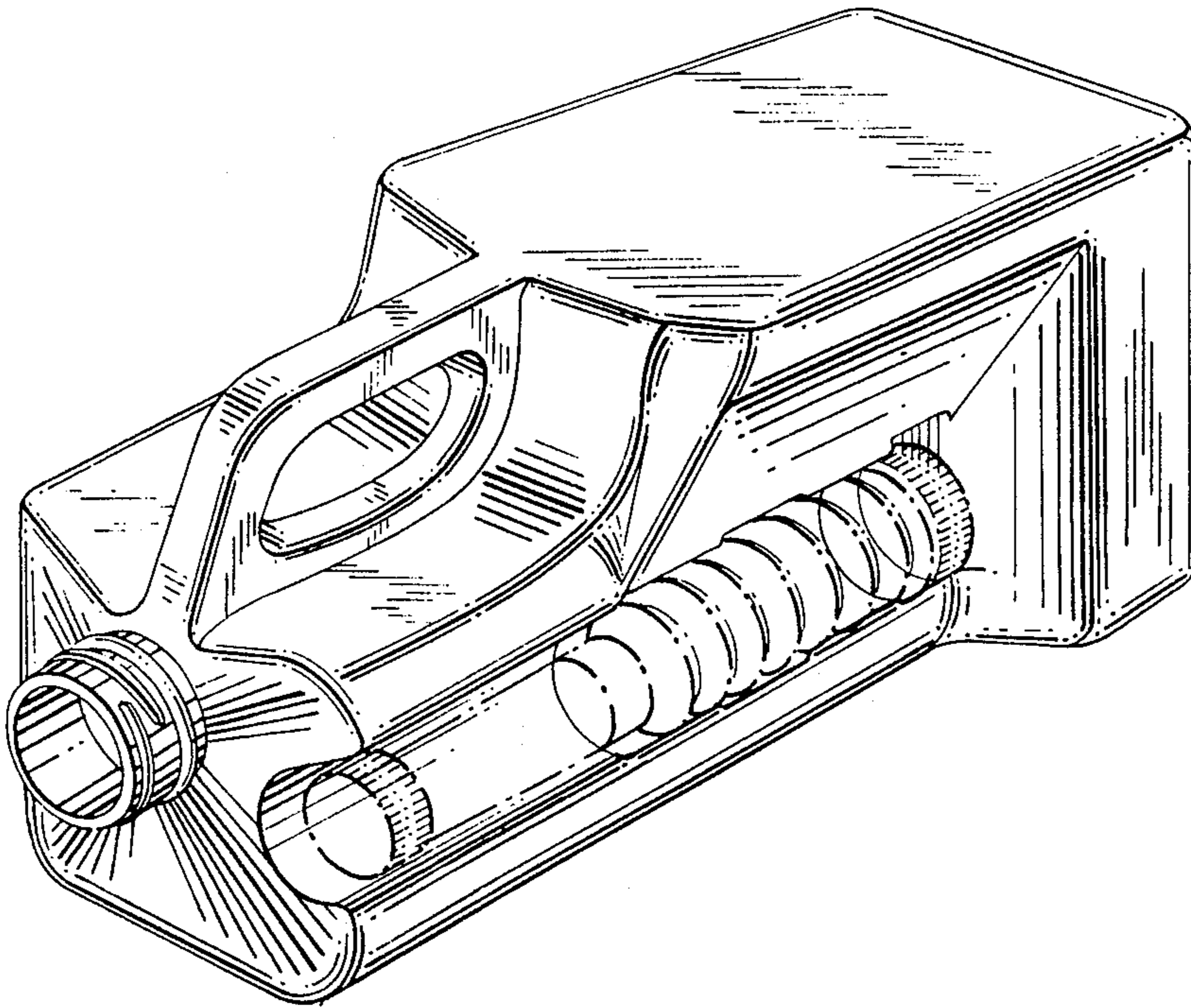


FIG. 1

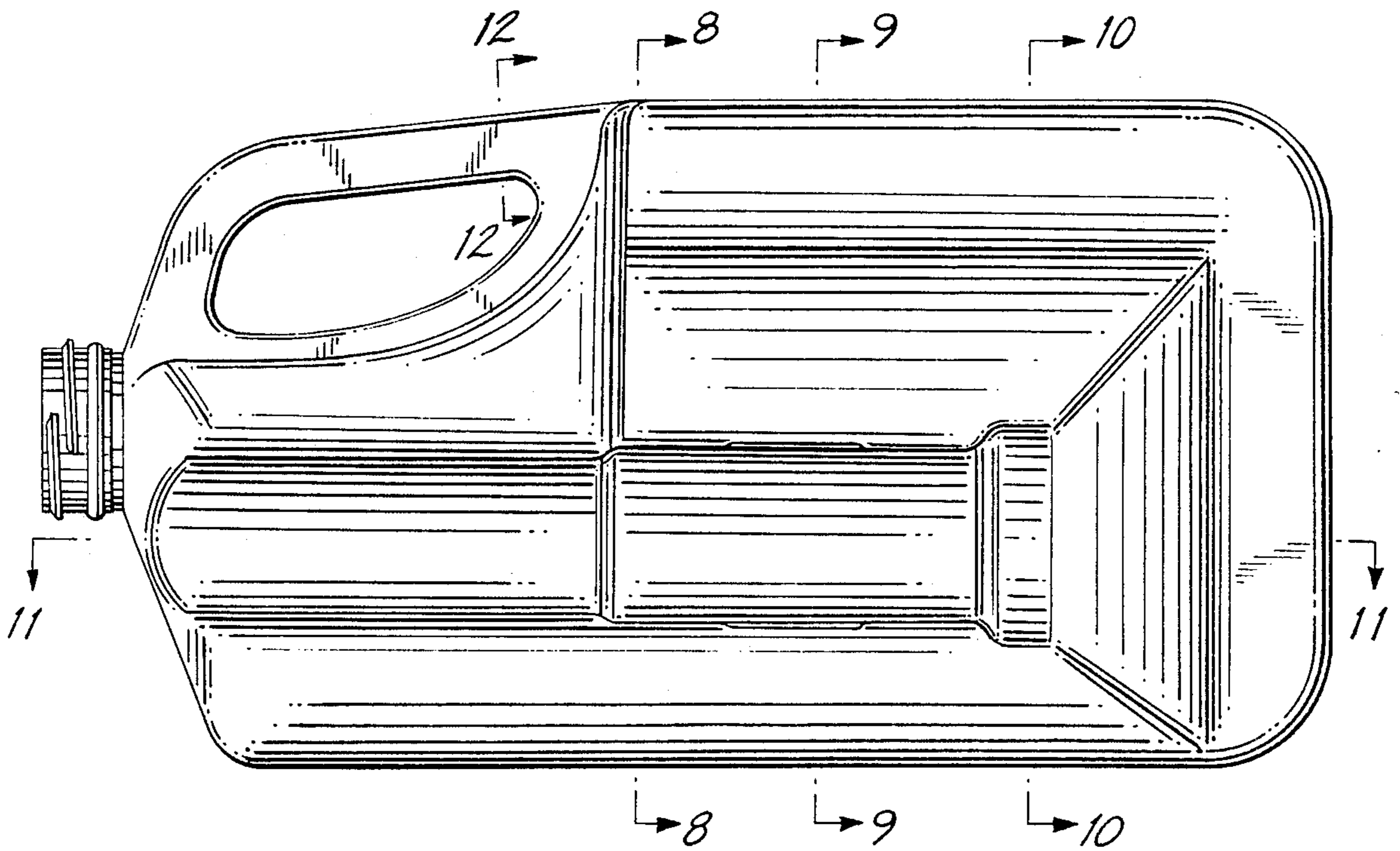


FIG. 2

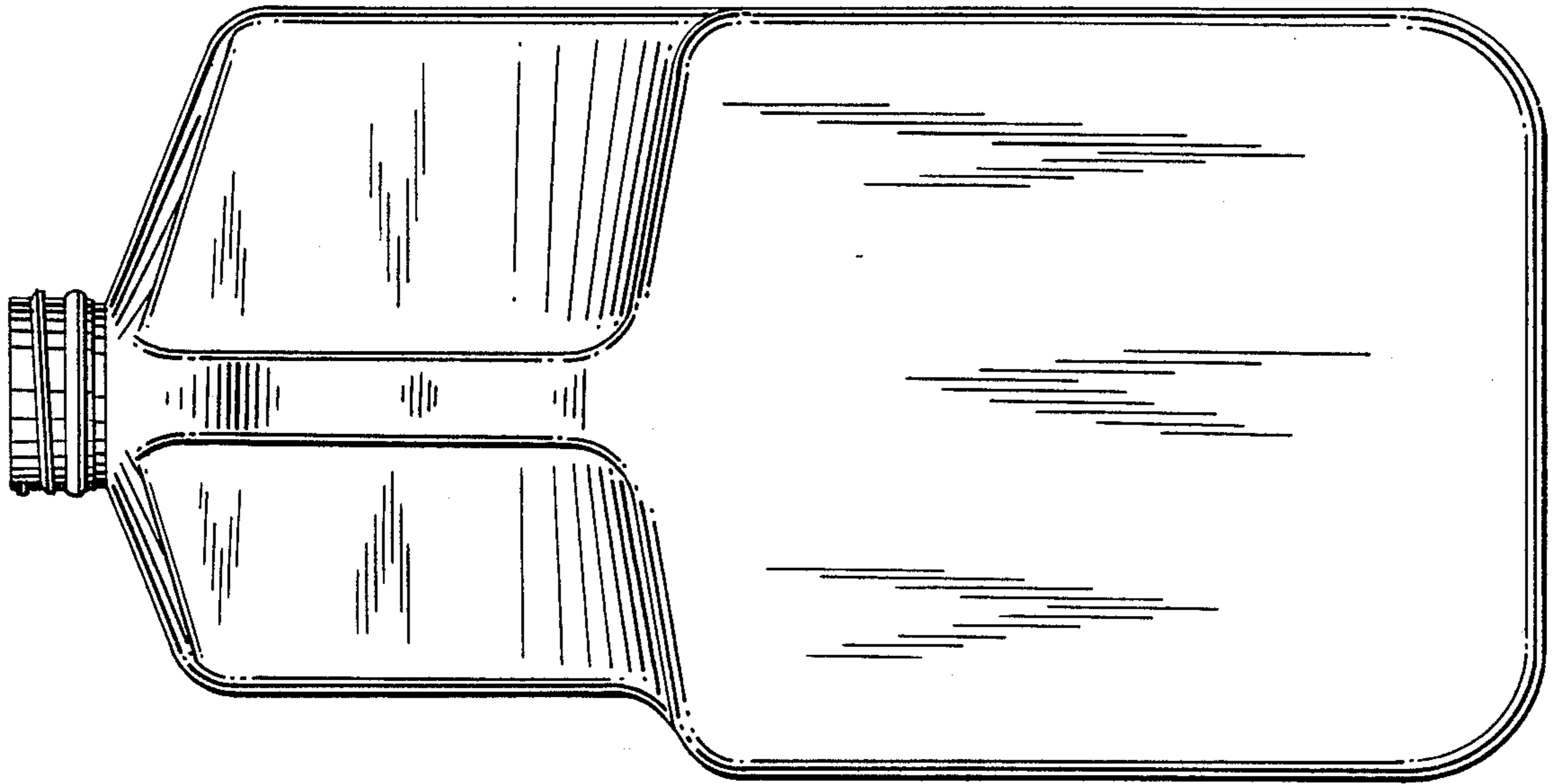


FIG. 3

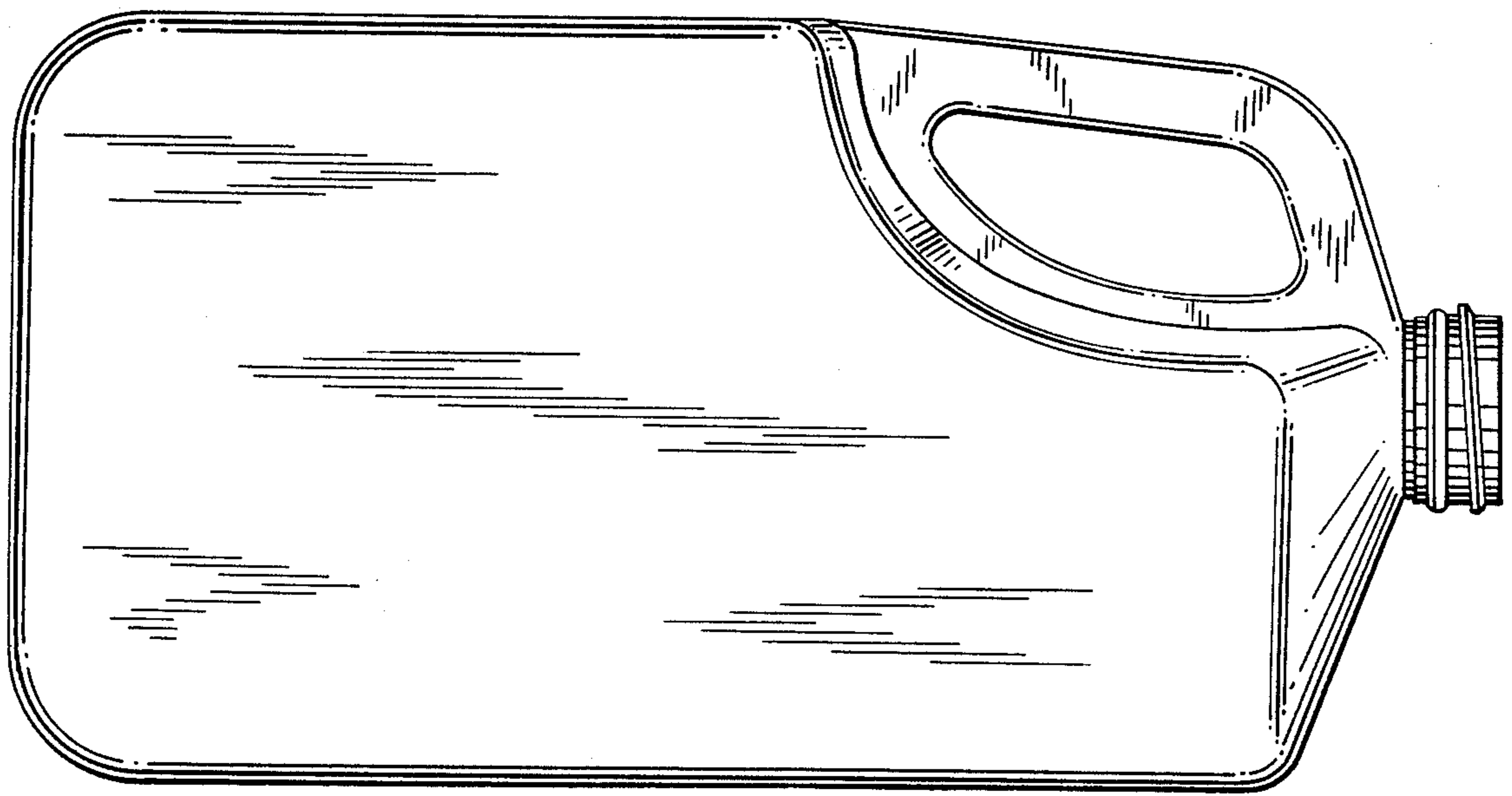


FIG. 4

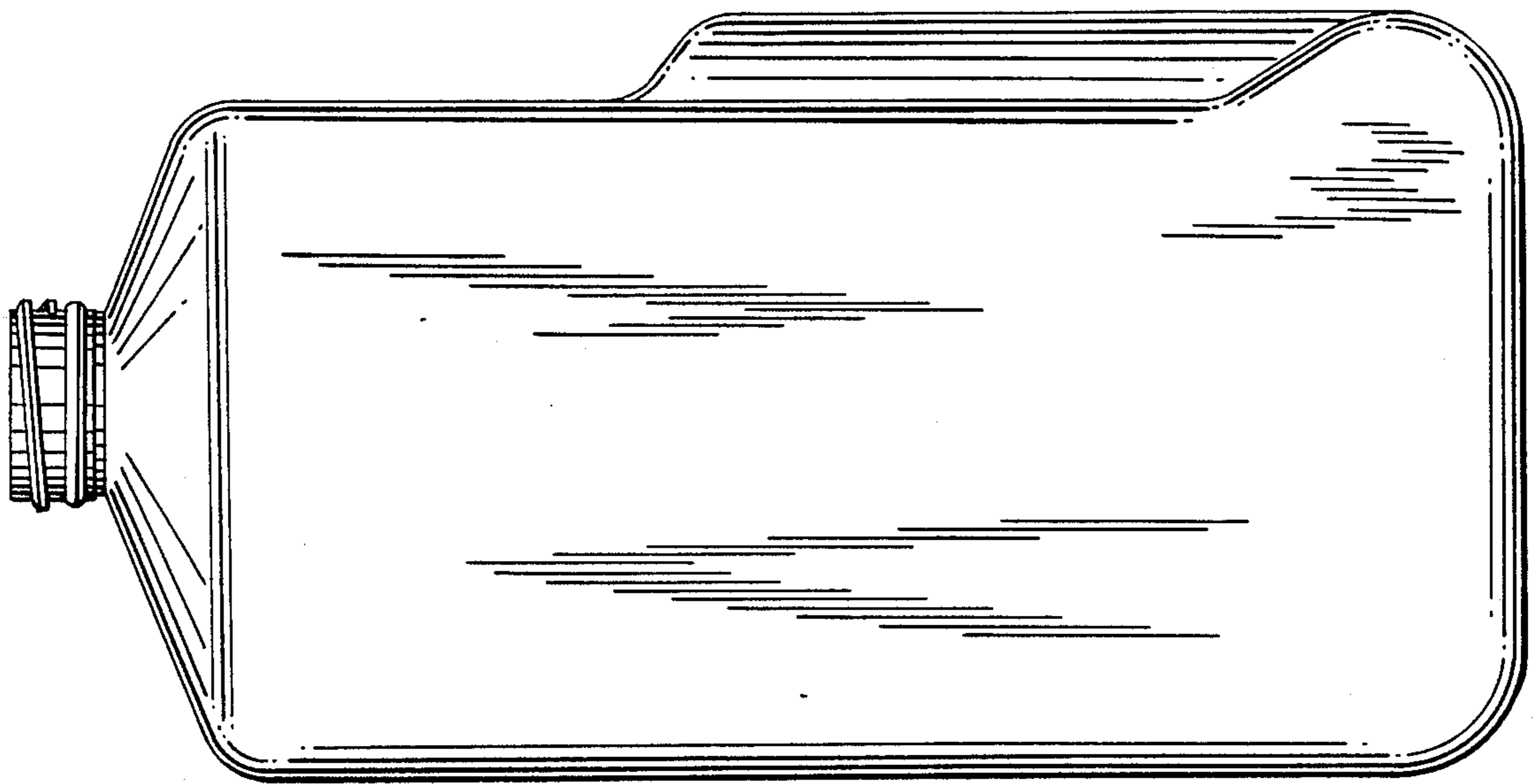


FIG. 5

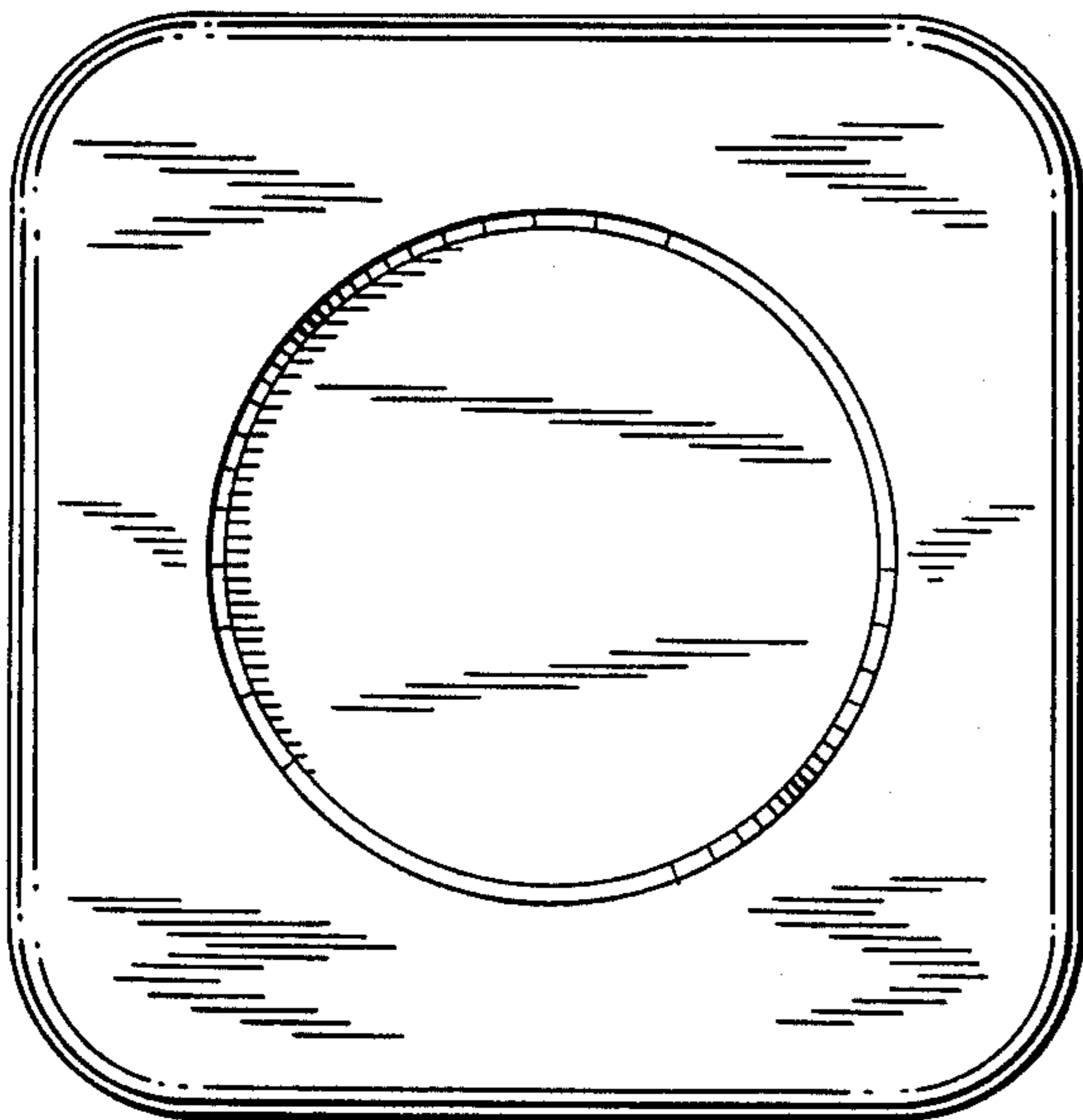


FIG. 6

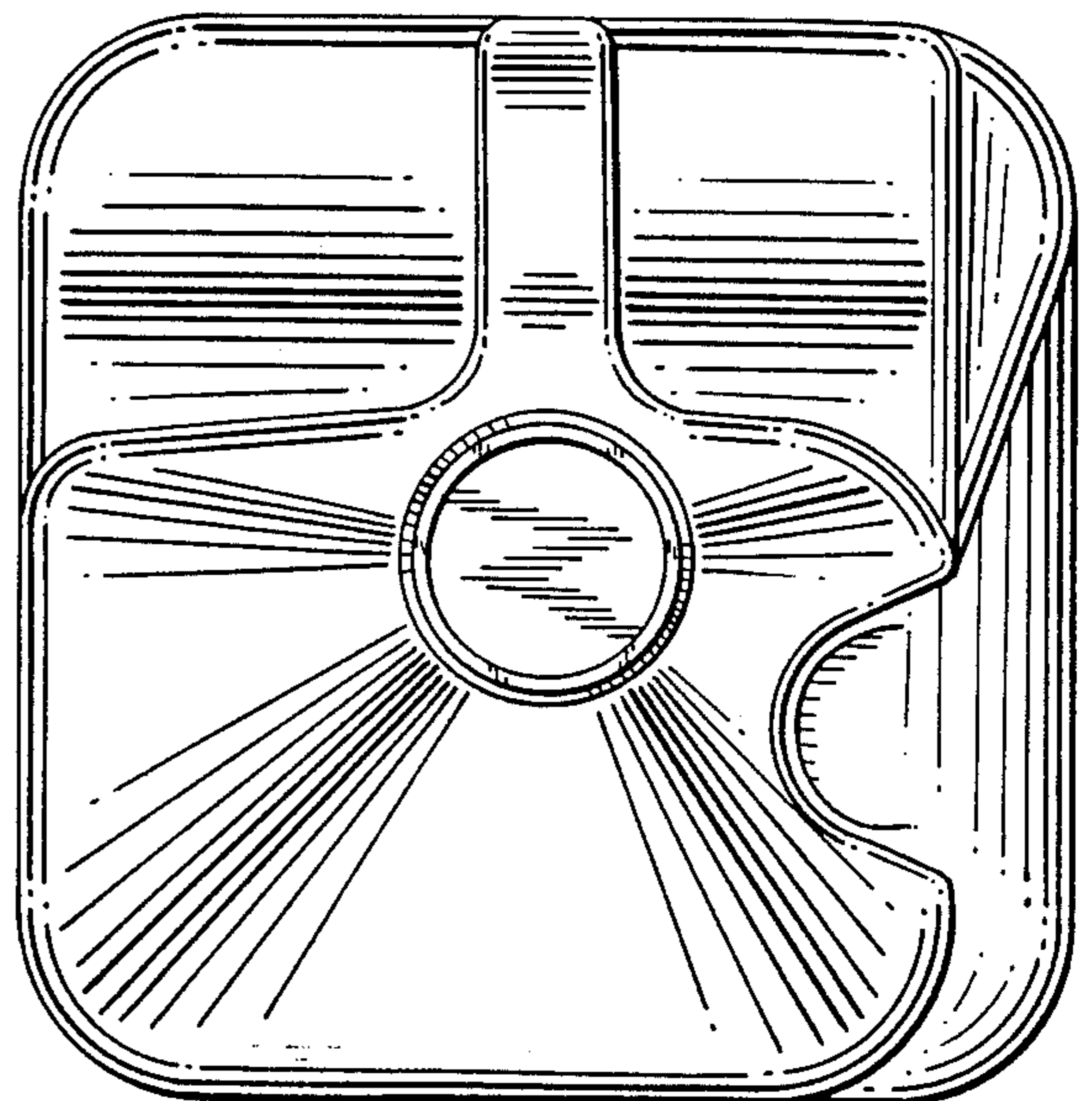


FIG. 7

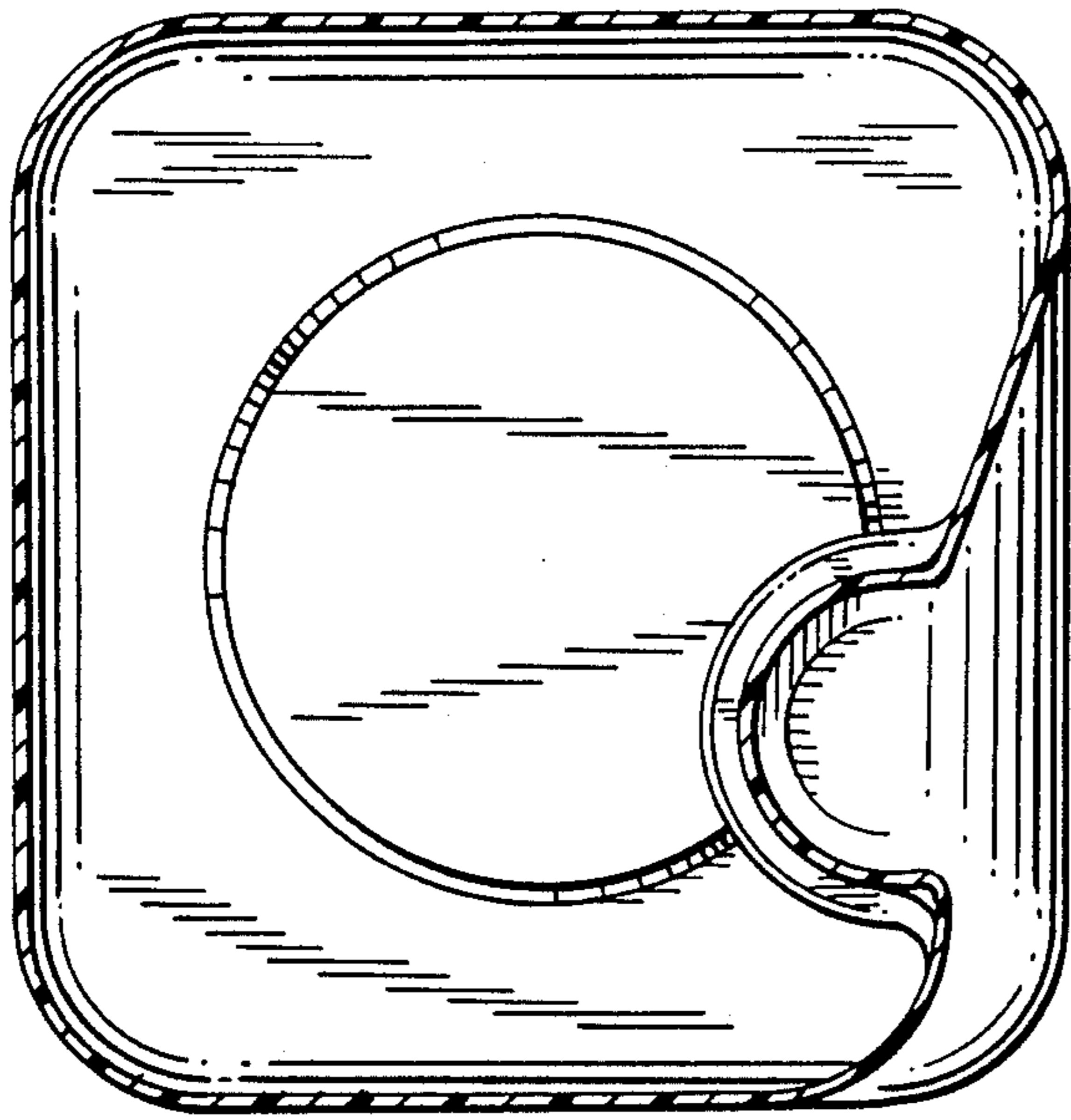


FIG. 8

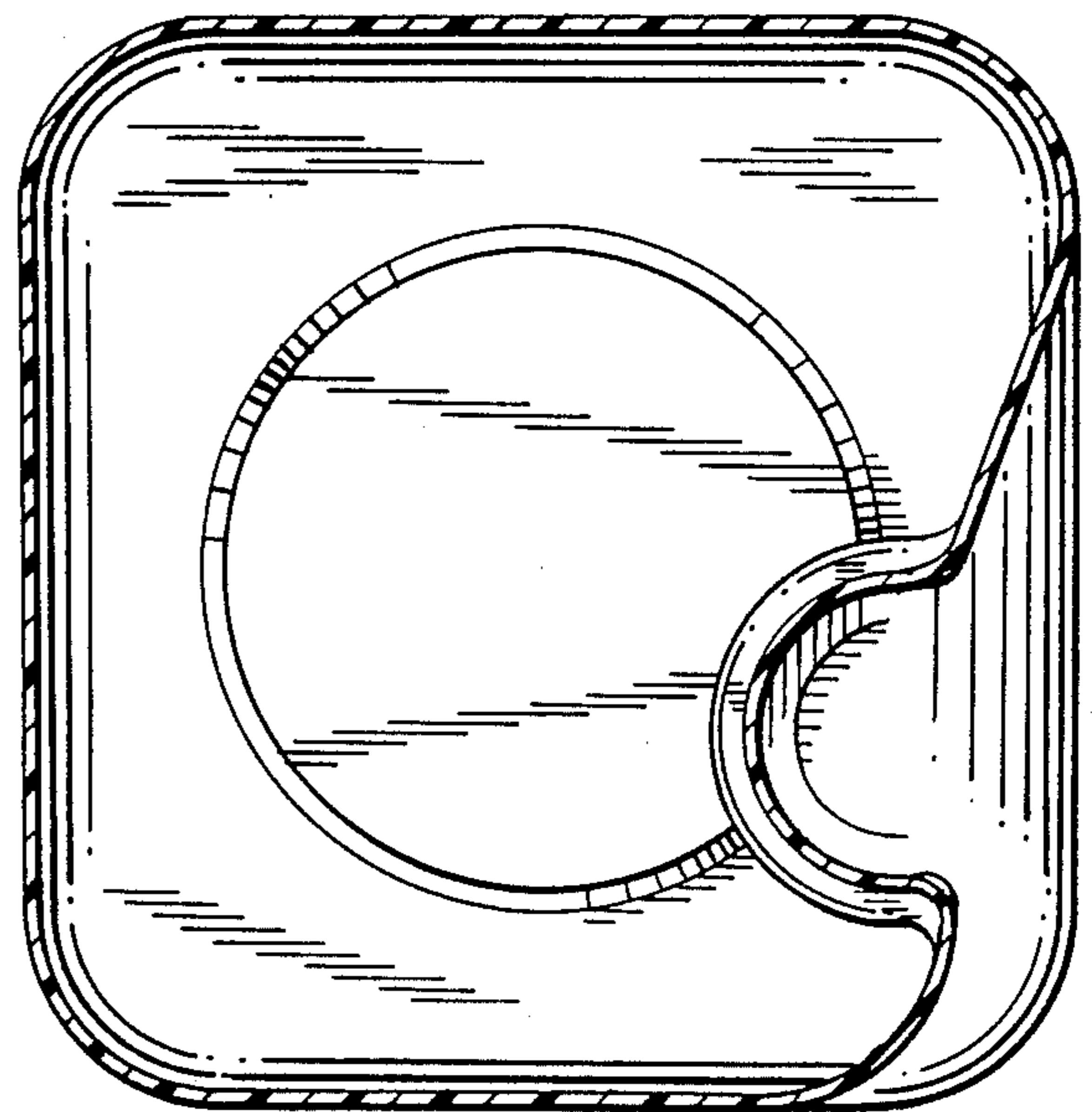


FIG. 9

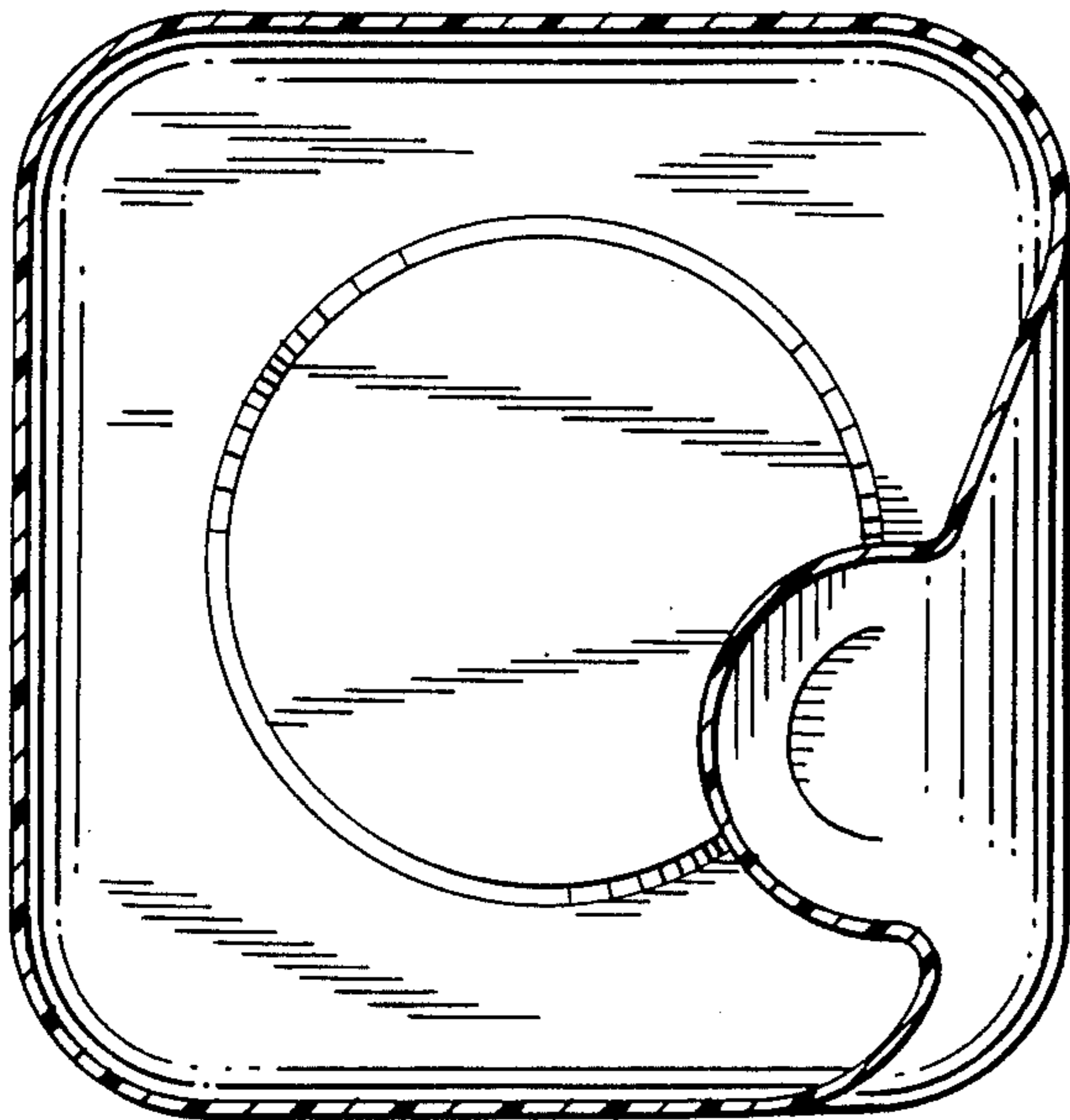


FIG. 10

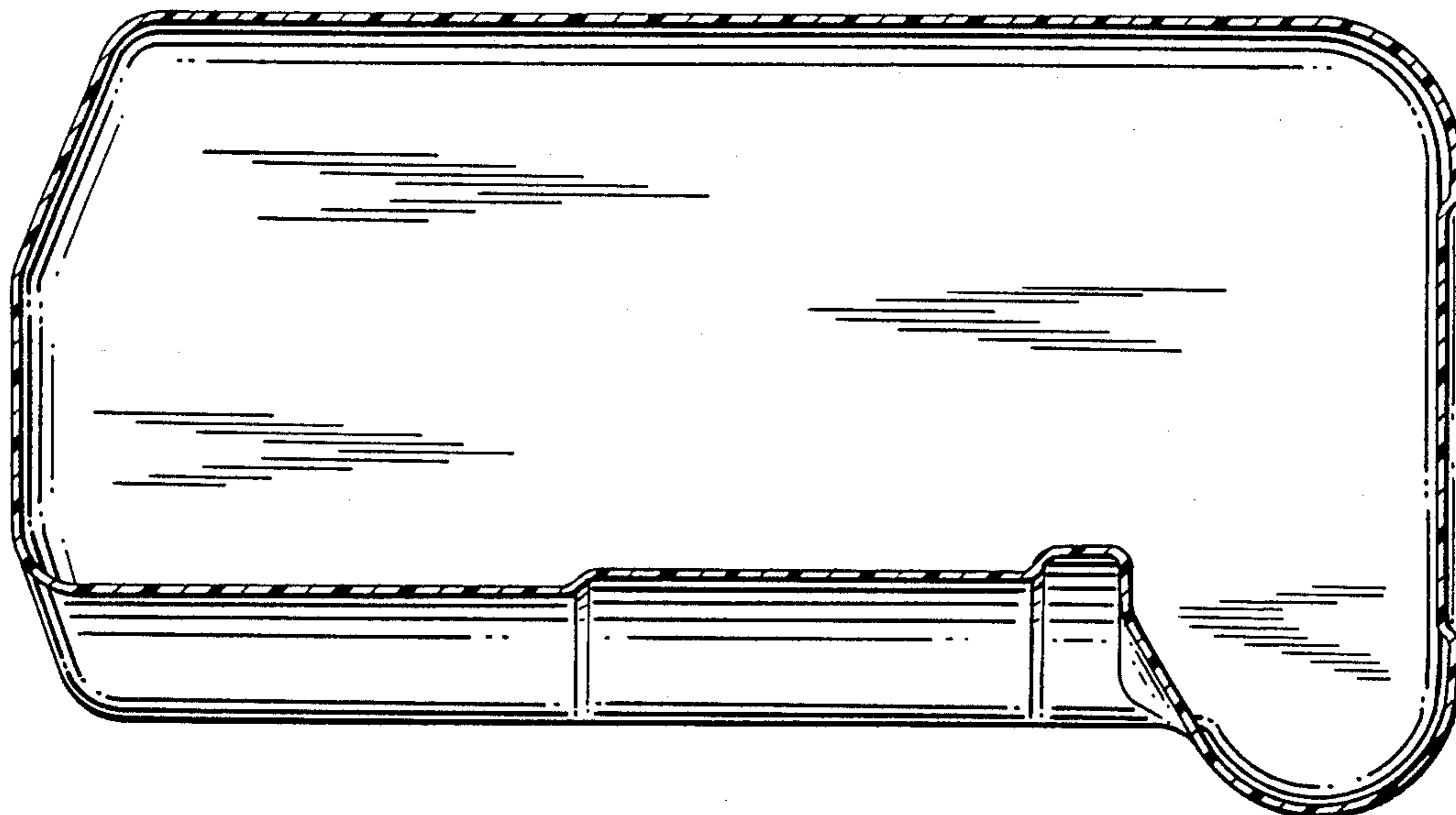


FIG. 11

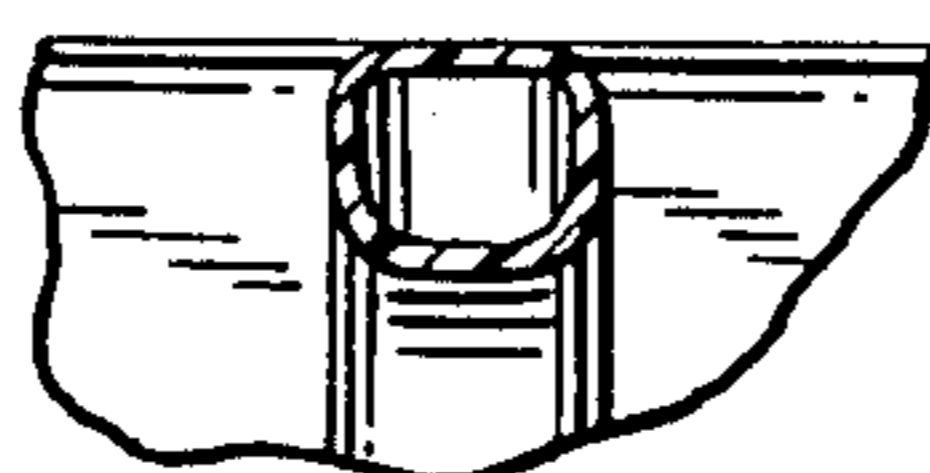


FIG. 12