

United States Patent [19]

Mosch

[11] Patent Number: Des. 303,075

[45] Date of Patent: ** Aug. 29, 1989

[54] COMBINED HANDLE AND ESCUTCHEON

[75] Inventor: Duane L. Mosch, Owatonna, Minn.

[73] Assignee: Truth Incorporated, Owatonna, Minn.

[**] Term: 14 Years

[21] Appl. No.: 213,677

[22] Filed: Jun. 30, 1988

Related U.S. Application Data

[62] Division of Ser. No. 922,543, Oct. 23, 1986.

[52] U.S. Cl. D8/301; D8/308; D8/350

[58] Field of Search D8/306, 307, 308, 300, D8/315-317, 350, 301; 16/110 R, 111 R, 114 R, 121, 124; D23/254; 292/347, 357

[56] References Cited

U.S. PATENT DOCUMENTS

D. 44,099 5/1913 Gribko D8/308
D. 76,903 11/1928 Smith D23/254
D. 82,968 1/1931 Bales D8/308

D. 271,560 11/1983 Valli D8/306
2,967,728 1/1961 Falk 292/357

FOREIGN PATENT DOCUMENTS

2507662 12/1982 France 16/110 R

OTHER PUBLICATIONS

Paul Associates Cat.; p. 50; lever #140.
Jado Cat. (undated); lever 933.

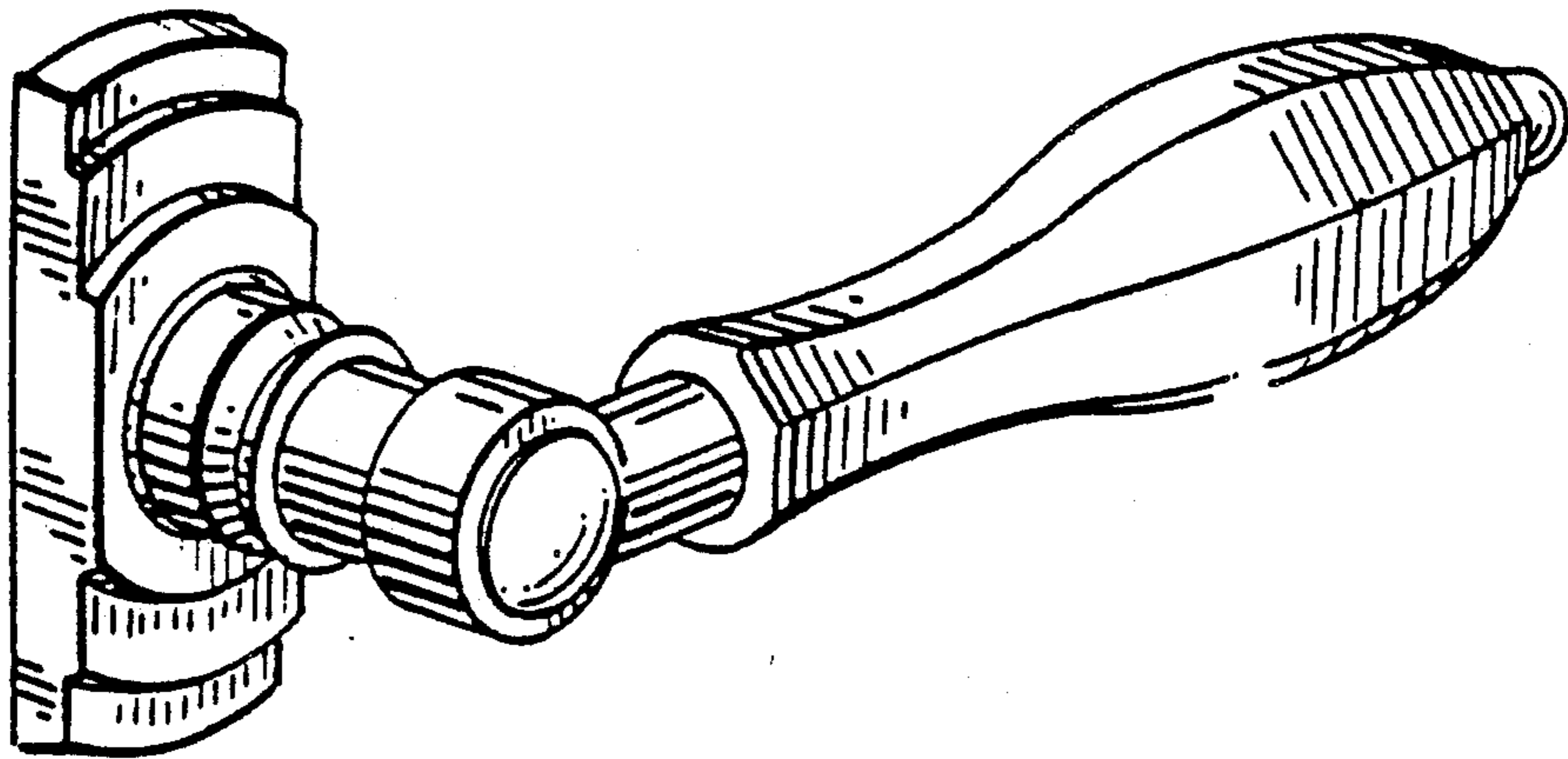
Primary Examiner—B. J. Bullock
Attorney, Agent, or Firm—Wood, Dalton, Phillips,
Mason & Rowe

[57] CLAIM

The ornamental design for a combined handle and escutcheon, as shown.

DESCRIPTION

FIG. 1 is a perspective view of a combined handle and escutcheon showing my new design;
FIG. 2 is a top view;
FIG. 3 is a front view;
FIG. 4 is a left end view;
FIG. 5 is a right end view.



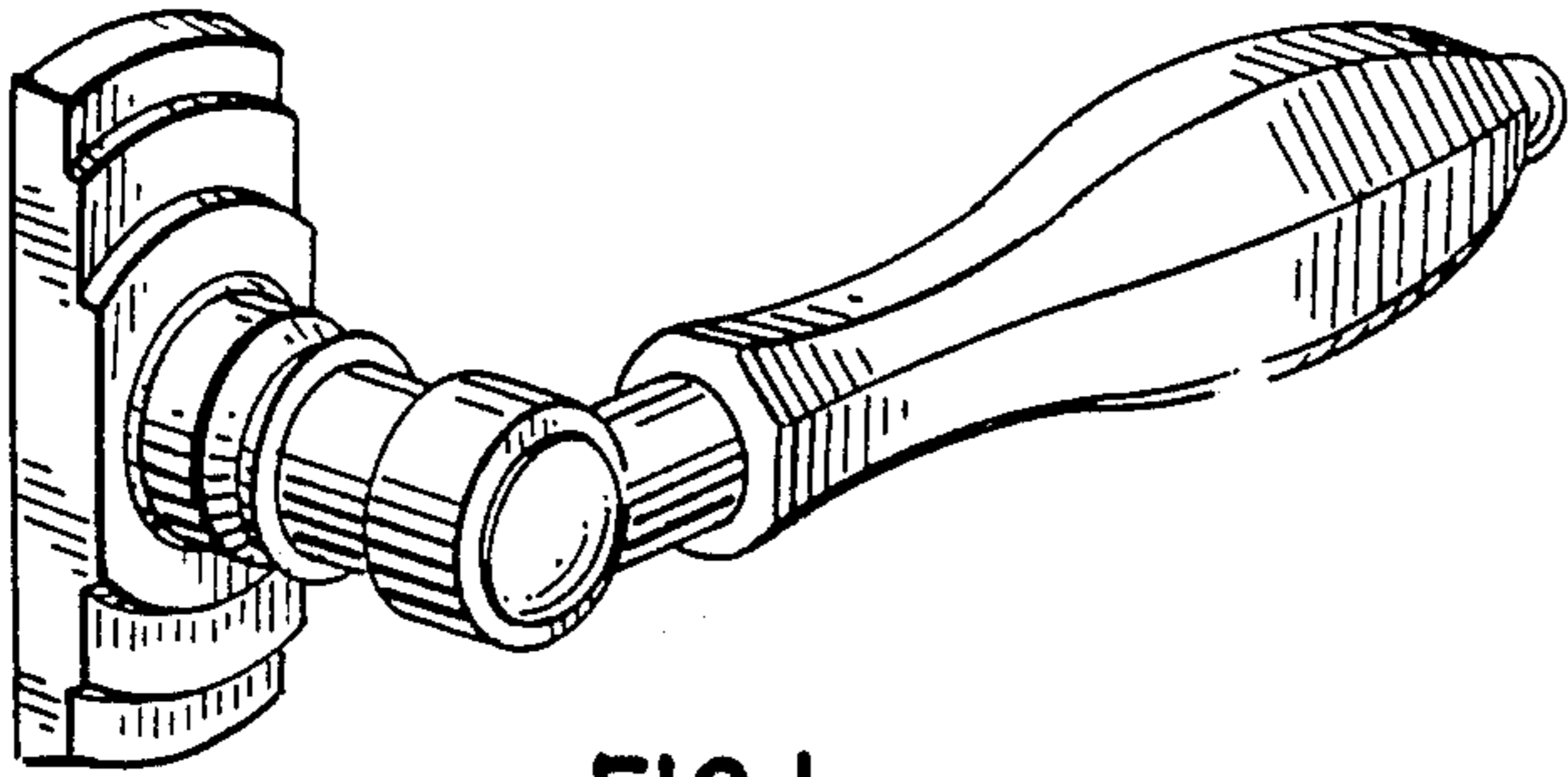


FIG. 1

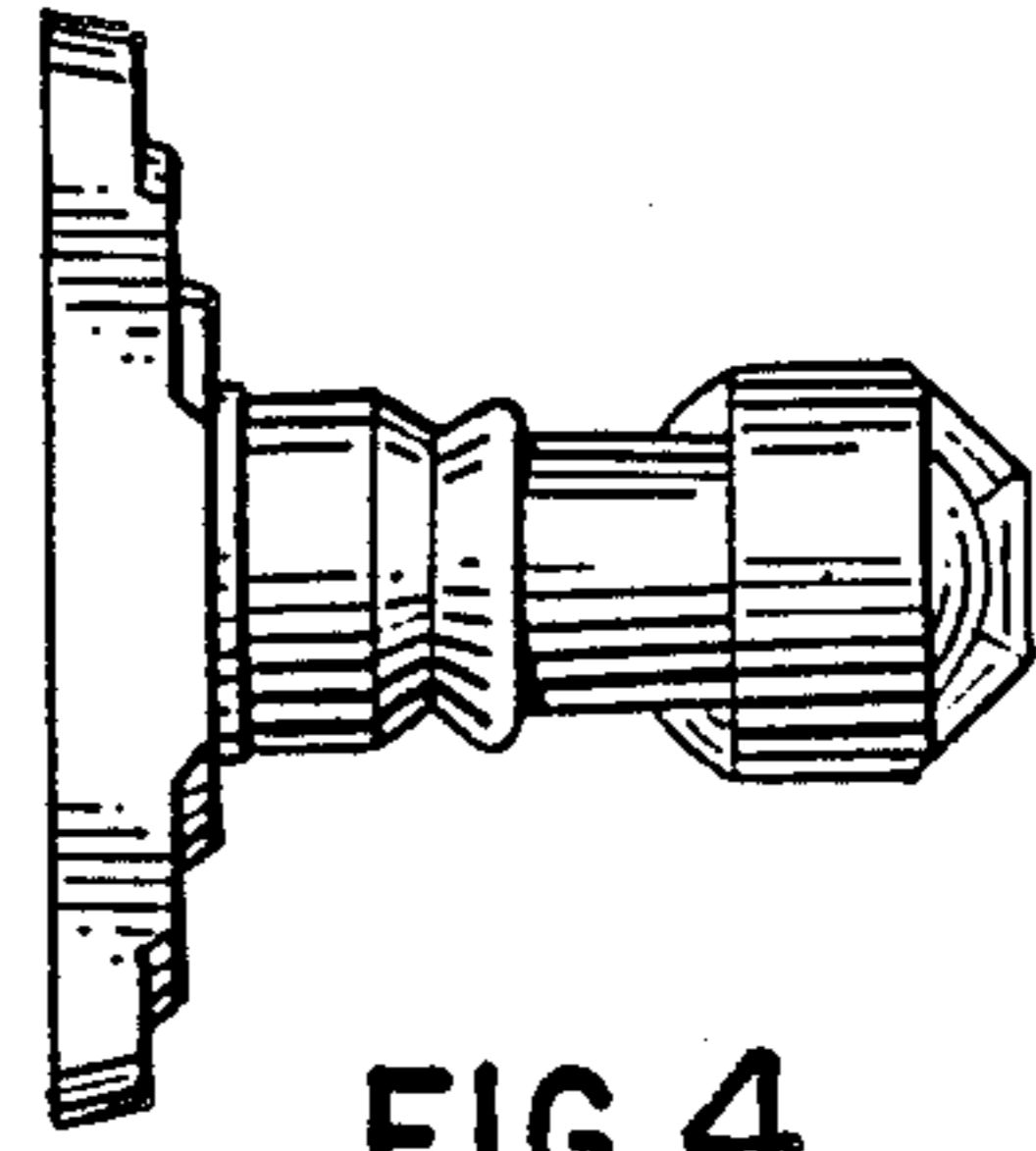


FIG. 4

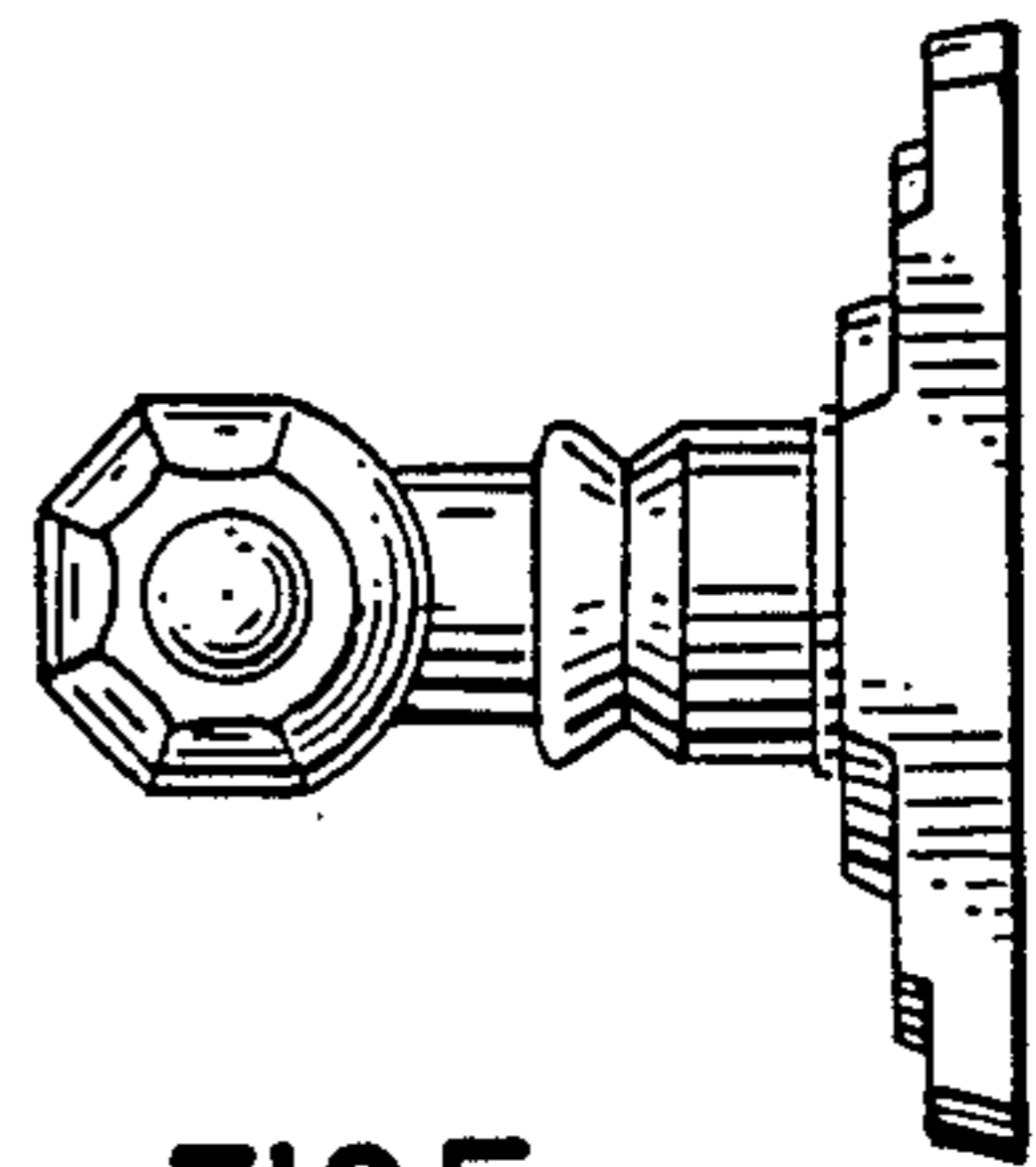


FIG. 5

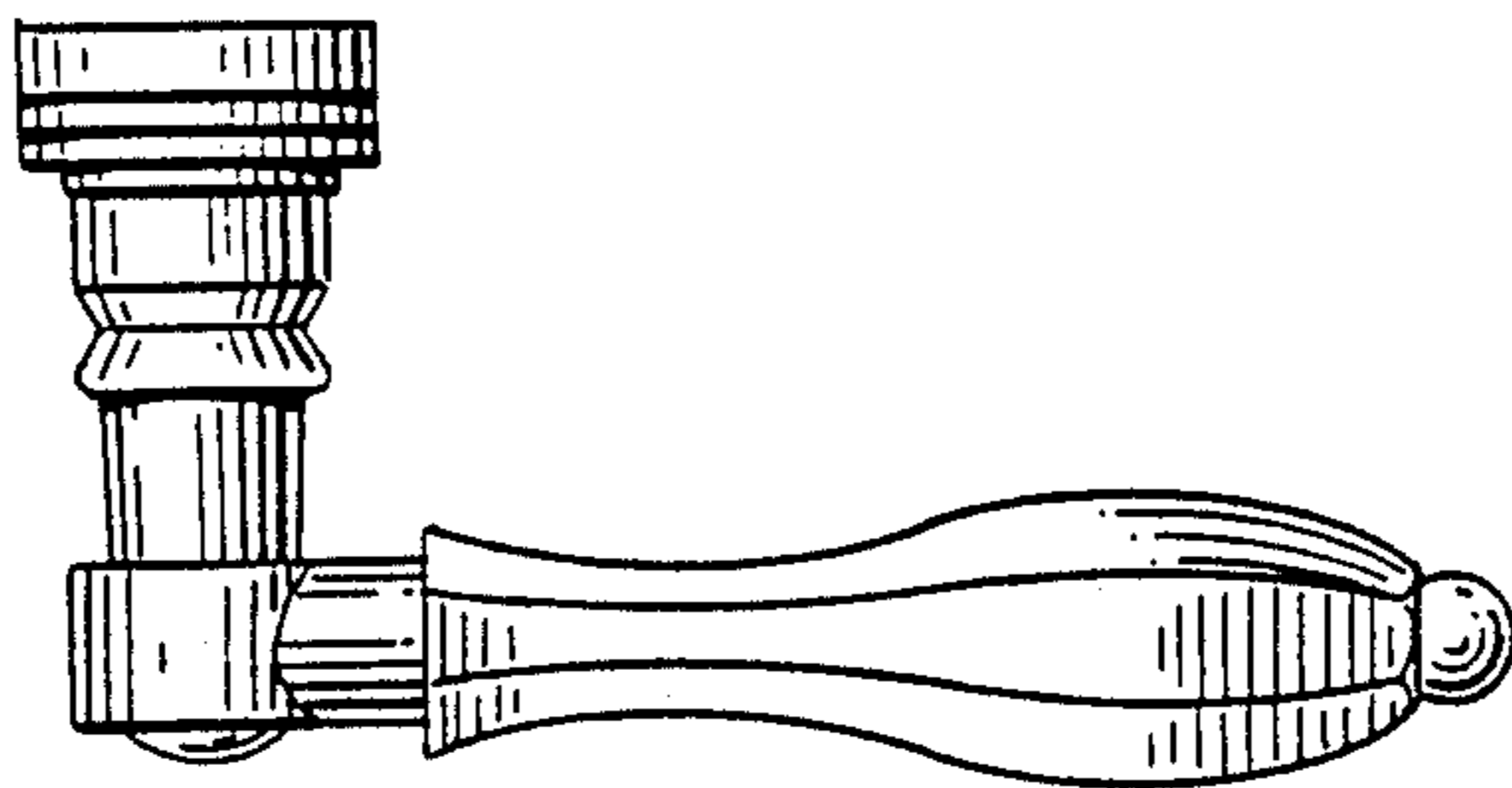


FIG. 2

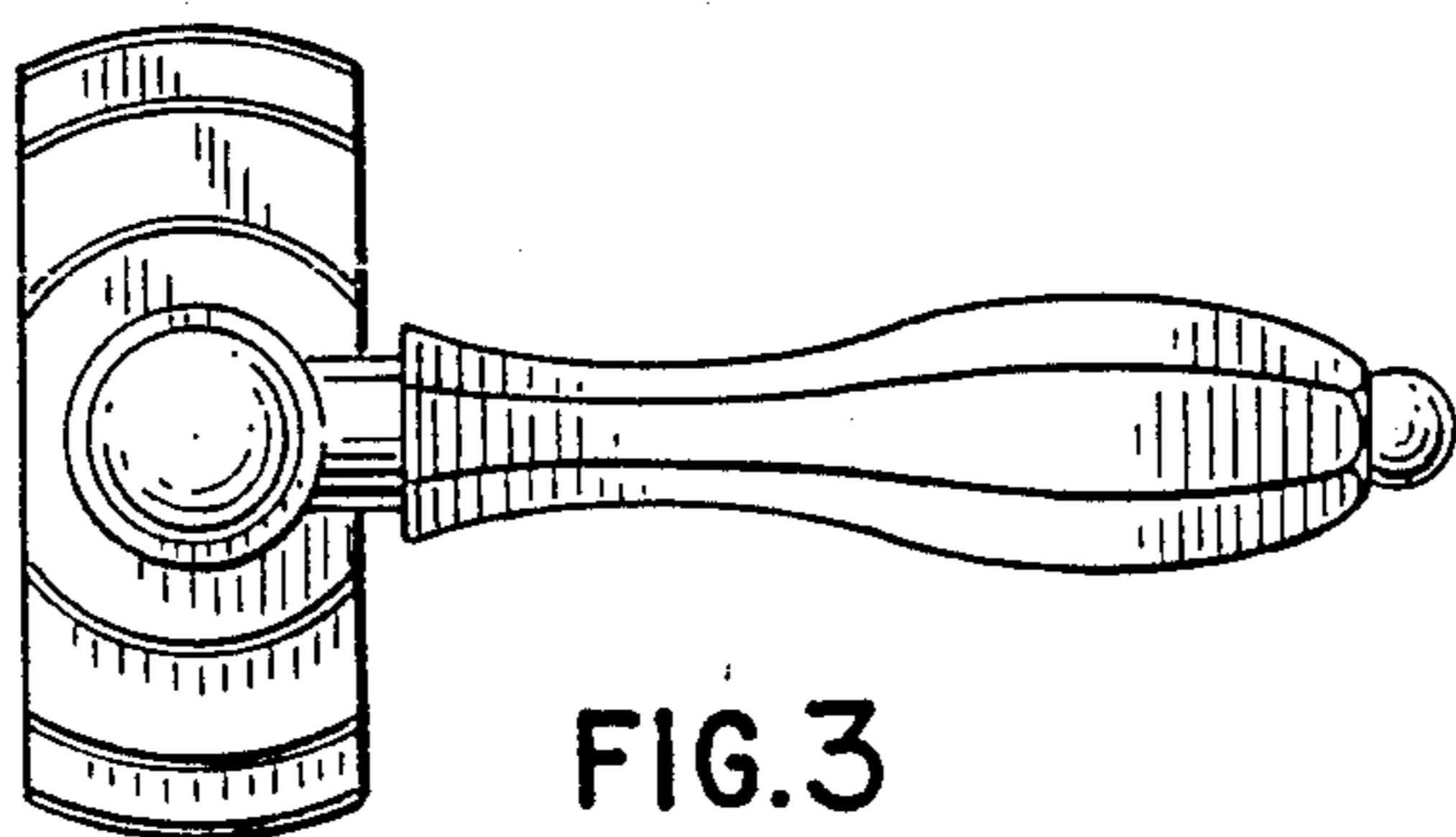


FIG. 3