

[54] FLOOR TILE CUTTER

[76] Inventor: Samuel Agee, 4305 Begg St., St. Louis, Mo. 63121

[**] Term: 14 Years

[21] Appl. No.: 909,094

[22] Filed: Sep. 18, 1986

[52] U.S. Cl. D8/98

[58] Field of Search D8/98-100,
D8/14, 51, 71; 30/293, 346, 314, 315, 351, 317

[56] References Cited

U.S. PATENT DOCUMENTS

D. 172,910	8/1954	Vennell	D8/98
D. 244,746	6/1977	Stabb	D8/71
245,149	8/1881	Fowler .	
688,457	12/1901	Berger .	
771,733	10/1904	Mitchell .	
1,956,275	4/1934	Cook .	

2,041,240	5/1936	Gluesing .	
2,804,064	8/1957	Brady .	
3,821,849	7/1974	Grinnon	D8/98 X
4,504,003	3/1985	Moody	D8/71 X

FOREIGN PATENT DOCUMENTS

2361443 6/1974 Fed. Rep. of Germany 30/293

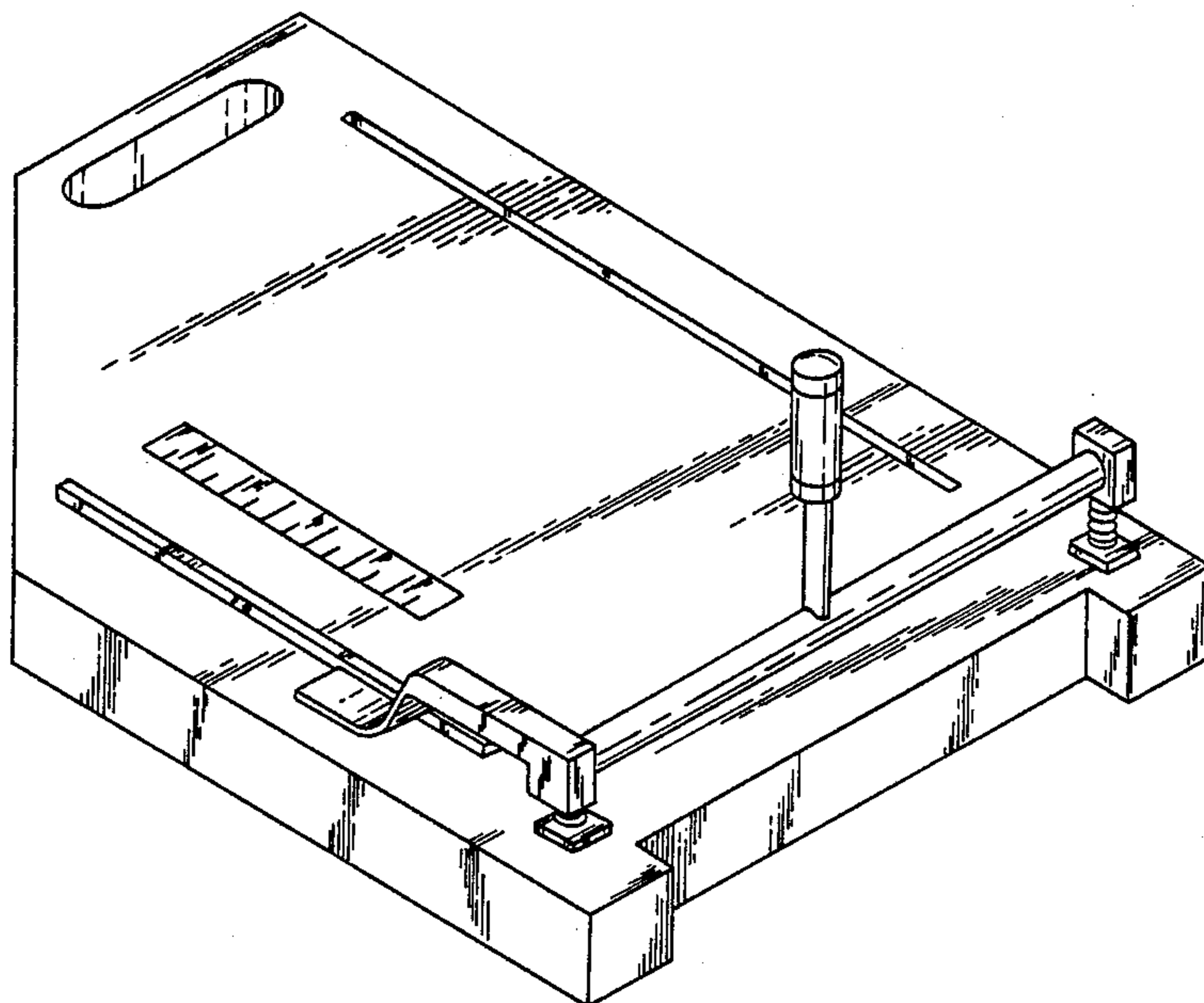
Primary Examiner—Bruce W. Dunkins
Assistant Examiner—Clare E. Heflin
Attorney, Agent, or Firm—Terry M. Gernstein

[57] CLAIM

The ornamental design for a floor tile cutter, as shown and described.

DESCRIPTION

FIG. 1 is an isometric view of a floor tile cutter showing my new design;
FIG. 2 is a side elevational view thereof;
FIG. 3 is a left end elevational view thereof;
FIG. 4 is a bottom plan view thereof.



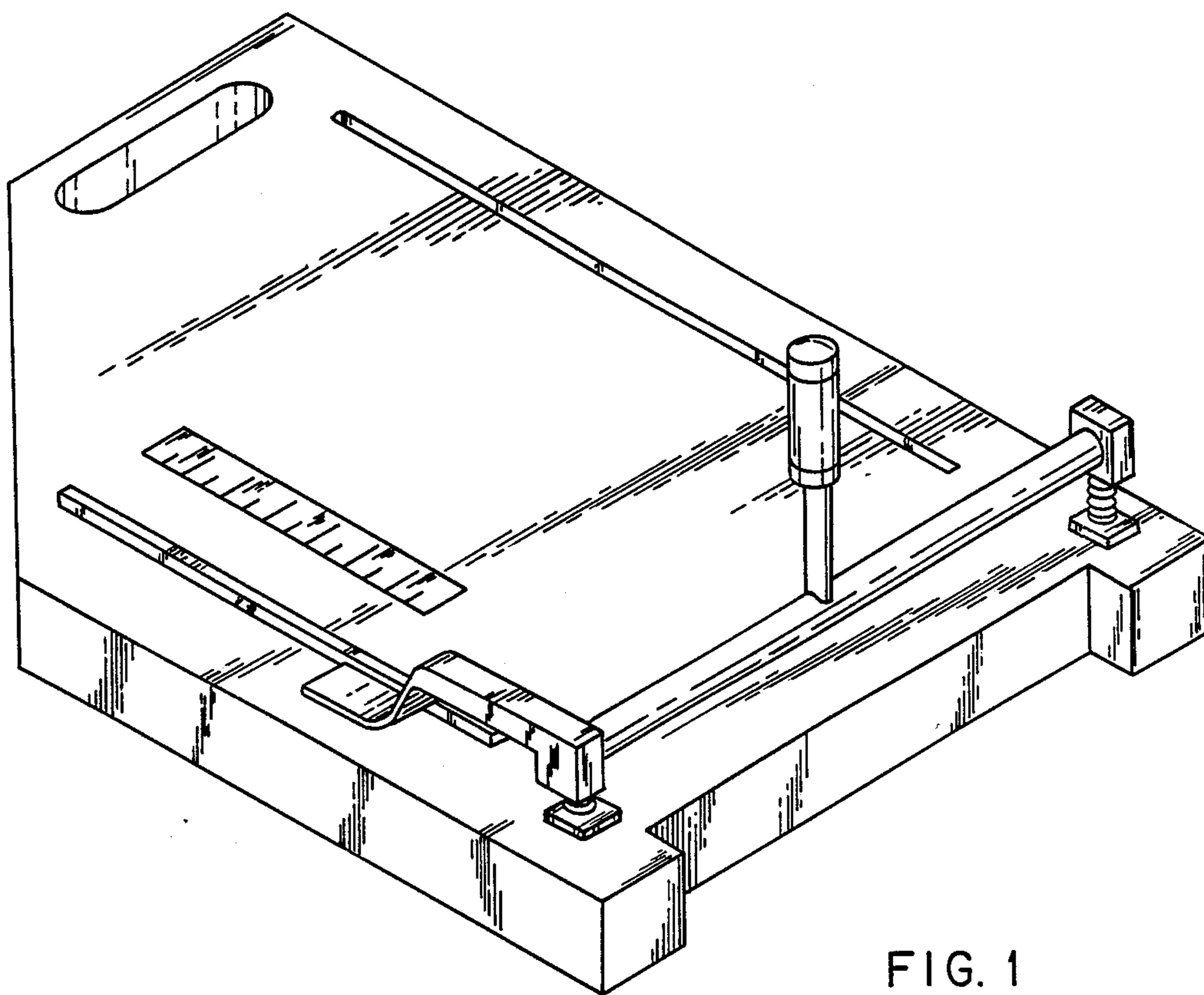


FIG. 1

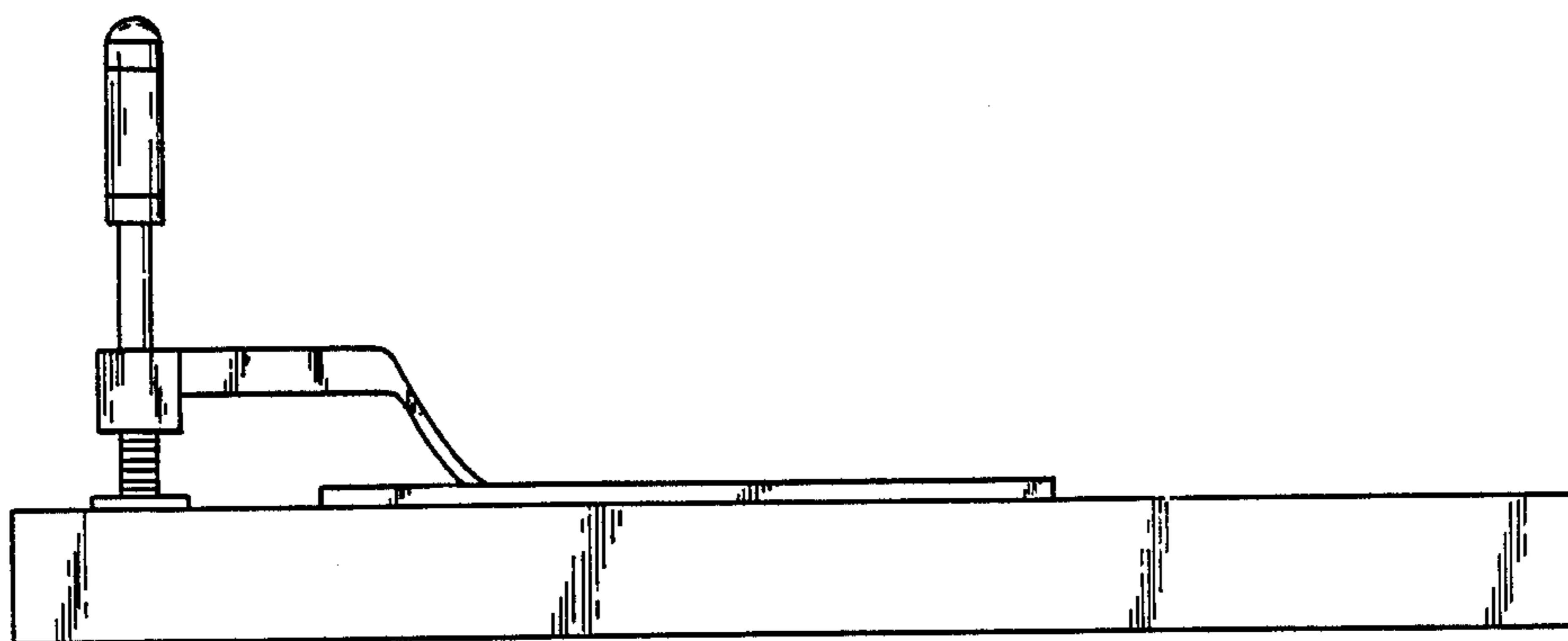


FIG. 2

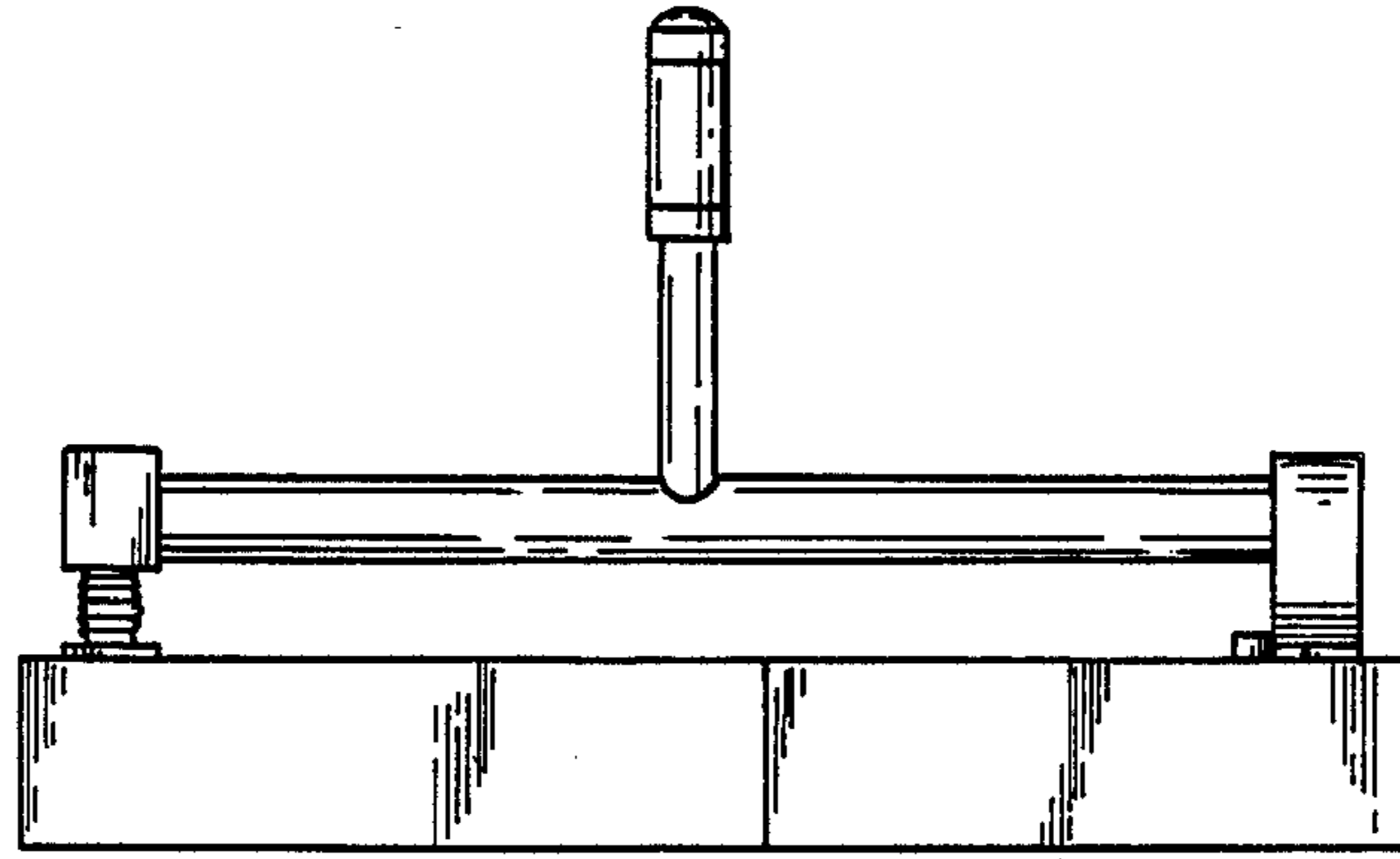


FIG. 3

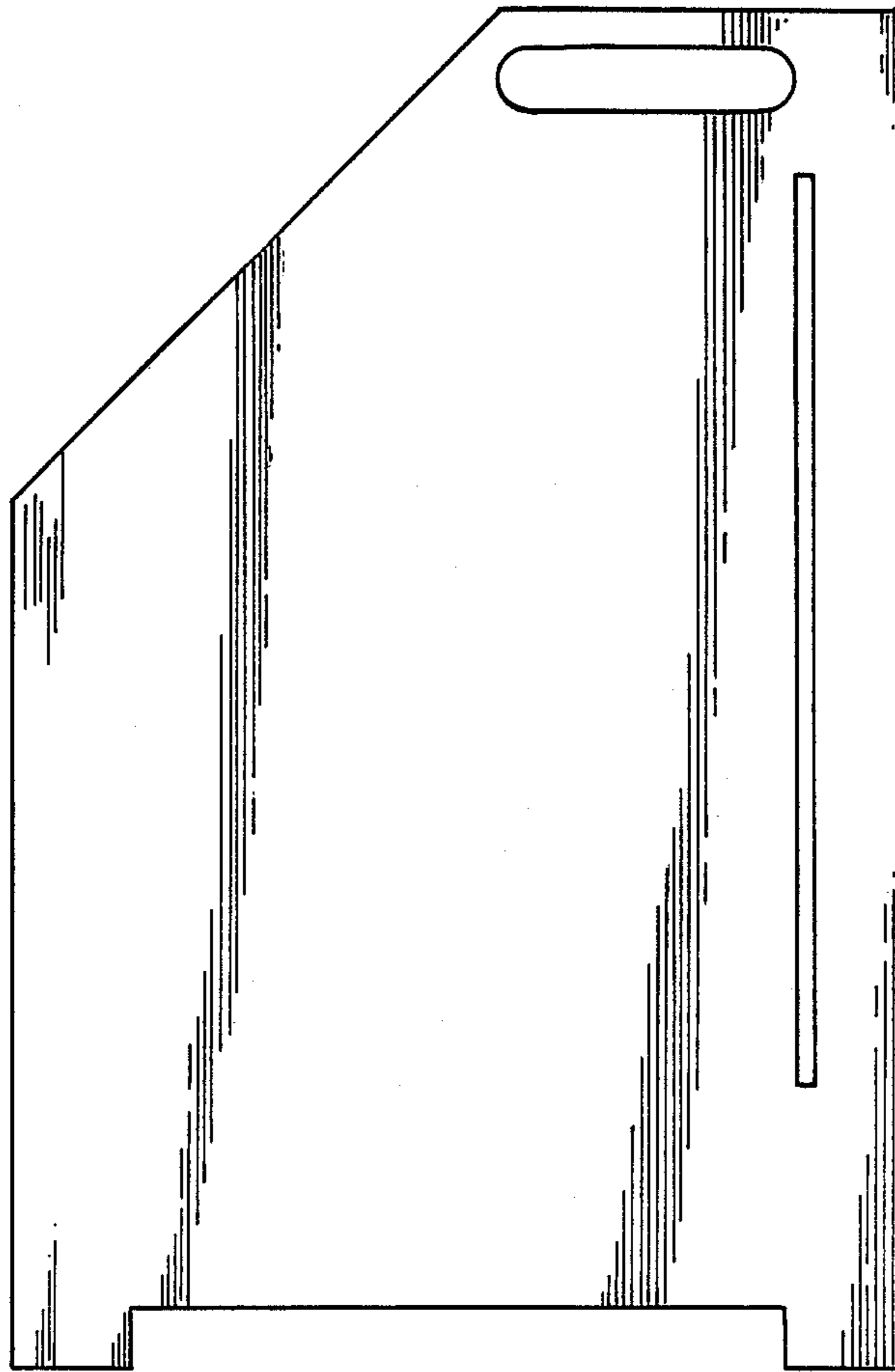


FIG. 4