

[54] HAND HELD WELDING GUN

[75] Inventors: Milton Hinden, Glen Head; Charles Giannone, N. Babylon, both of N.Y.

[73] Assignee: Duro Dyne Corporation, Farmingdale, N.Y.

[**] Term: 14 Years

[21] Appl. No.: 86,039

[22] Filed: Aug. 17, 1987

[52] U.S. Cl. D8/30; D8/68

[58] Field of Search D8/30, 68, 14.1, 107; 222/146.2; 219/136, 137.31, 137.63, 75, 137.51, 227

[56] References Cited

U.S. PATENT DOCUMENTS

| | | | | |
|------------|---------|------------|-------|------------|
| D. 213,202 | 1/1969 | Ehrlich | | D8/30 |
| 2,806,125 | 9/1957 | Miller | | 219/137.31 |
| 3,242,314 | 3/1966 | Eckles | | 219/227 |
| 4,171,072 | 10/1979 | Davis, Jr. | | D8/14.1 X |

OTHER PUBLICATIONS

Welding Design & Fabrication, Sep. 1960, p. 18/Tec Spot gun; bottom photo.

Primary Examiner—Bruce W. Dunkins
Assistant Examiner—Clare E. Heflin
Attorney, Agent, or Firm—Mark T. Basseches; Paula T. Basseches

[57] CLAIM

The ornamental design for hand held welding gun, as shown and described.

DESCRIPTION

FIG. 1 is a prespective view of a hand-held welding gun showing our new design;

FIG. 2 is a front elevational view thereof;

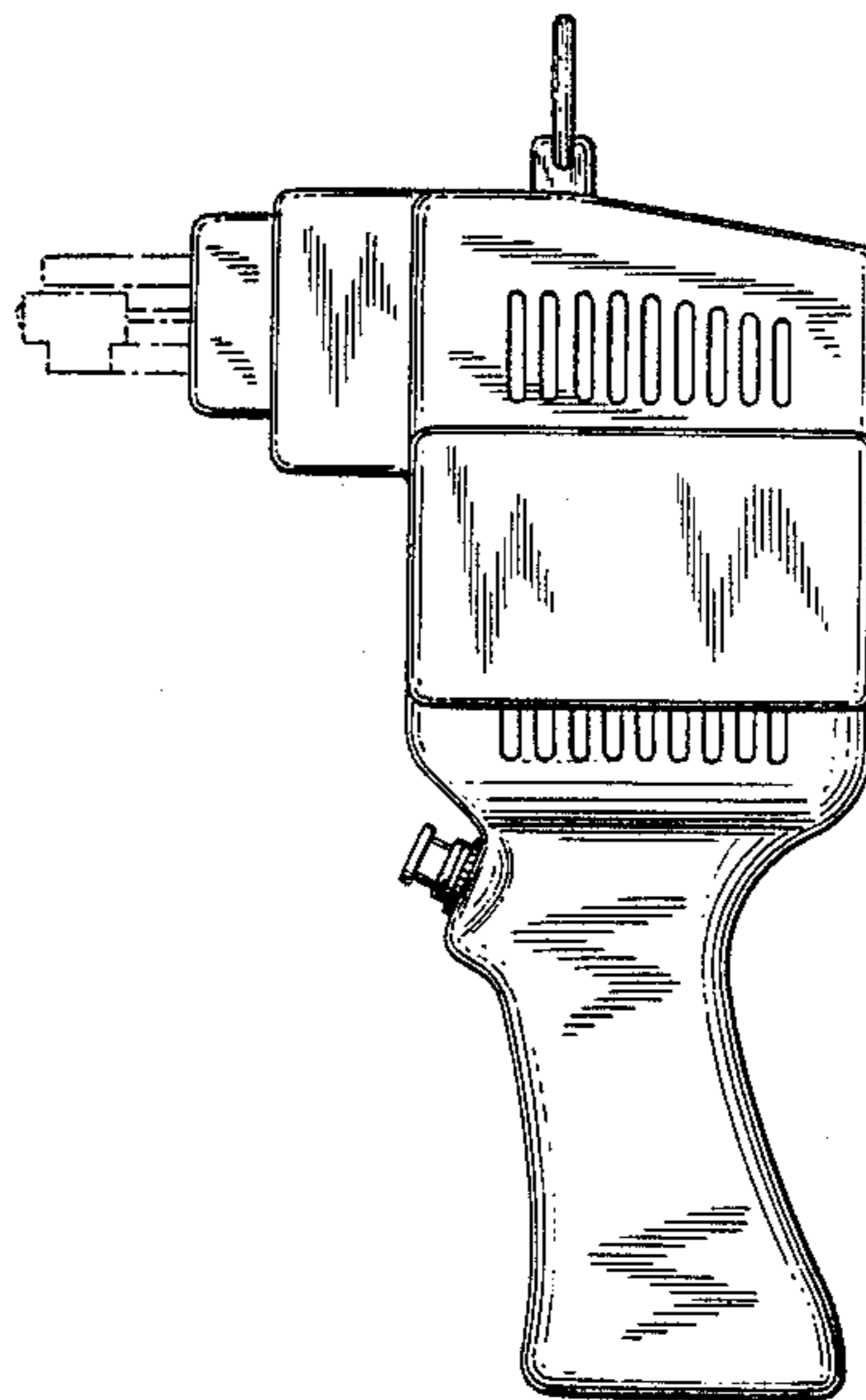
FIG. 3 is a top plan view thereof;

FIG. 4 is a side elevational view thereof;

FIG. 5 is a rear elevational view thereof;

FIG. 6 is a bottom plan view thereof.

The broken line showing of the tool tip is for illustrative purposes only and forms no part of the claimed design.



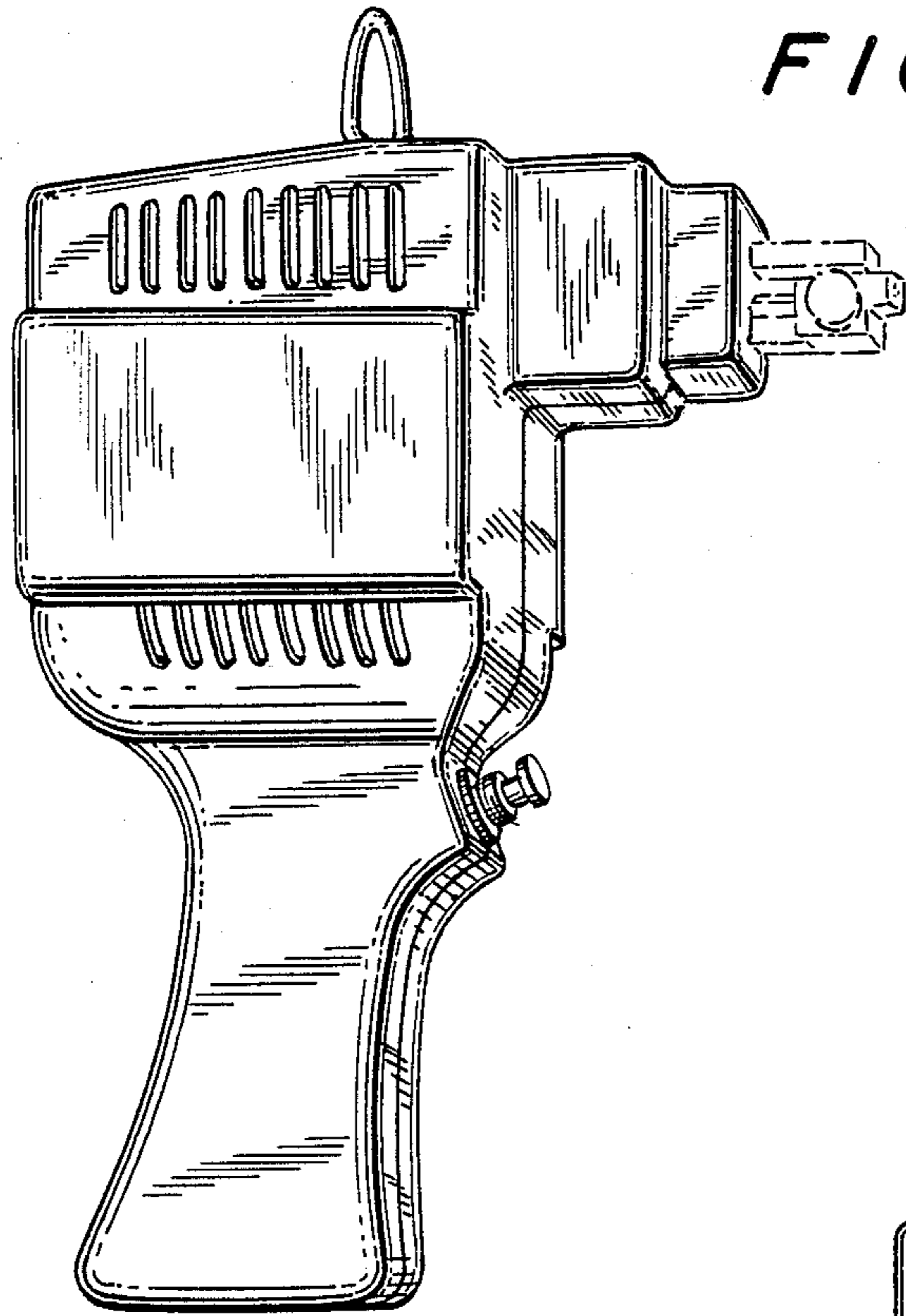


FIG. 1

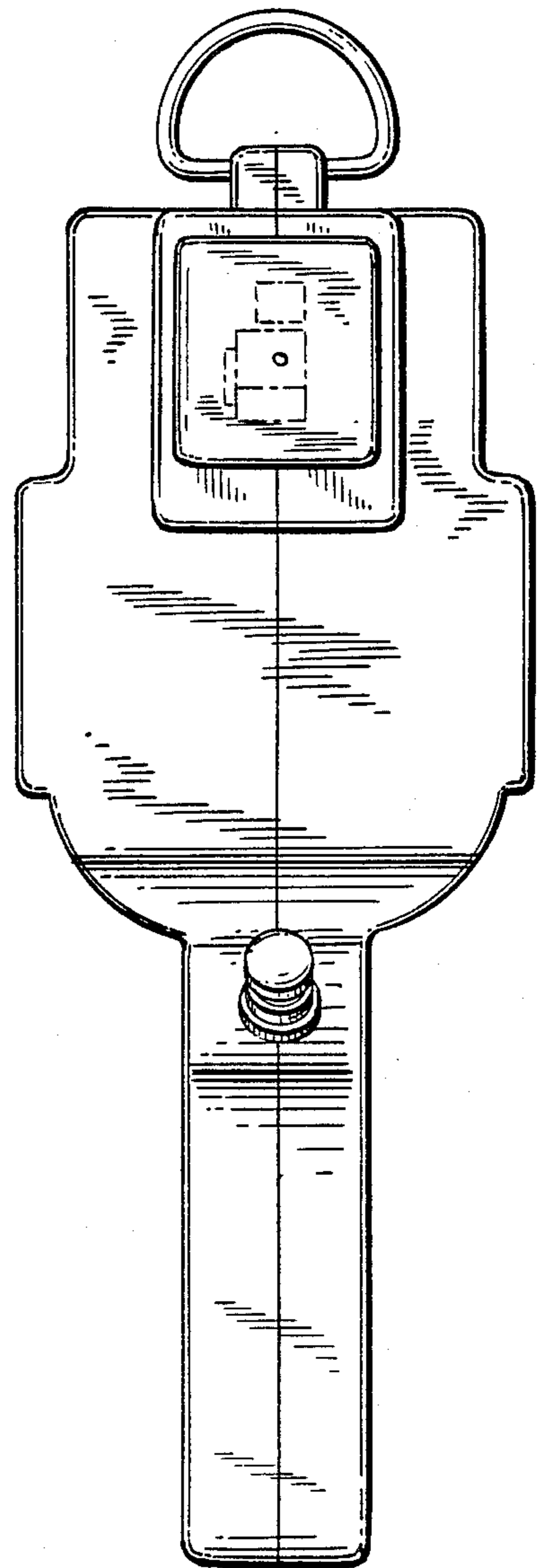


FIG. 2

FIG. 3

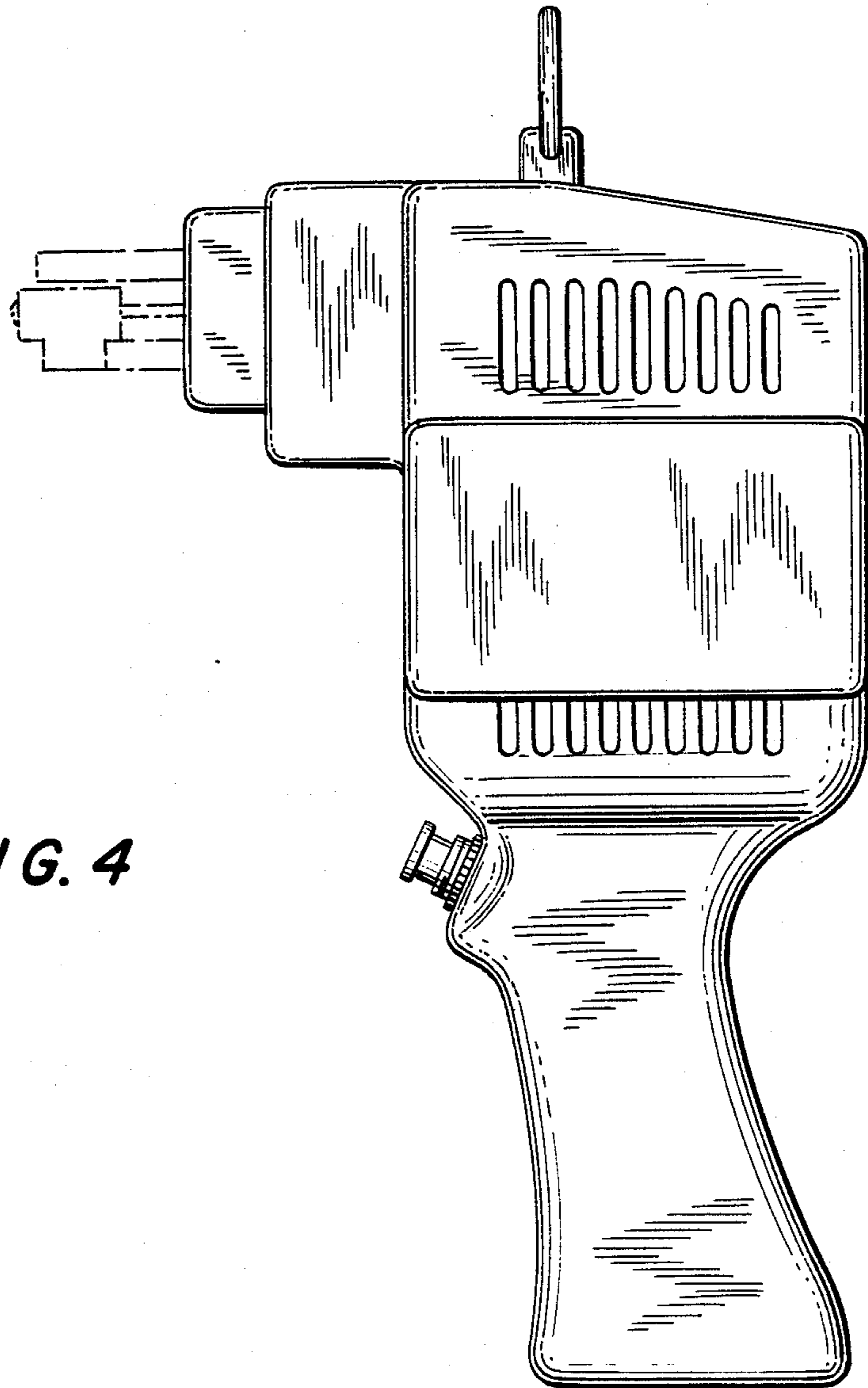
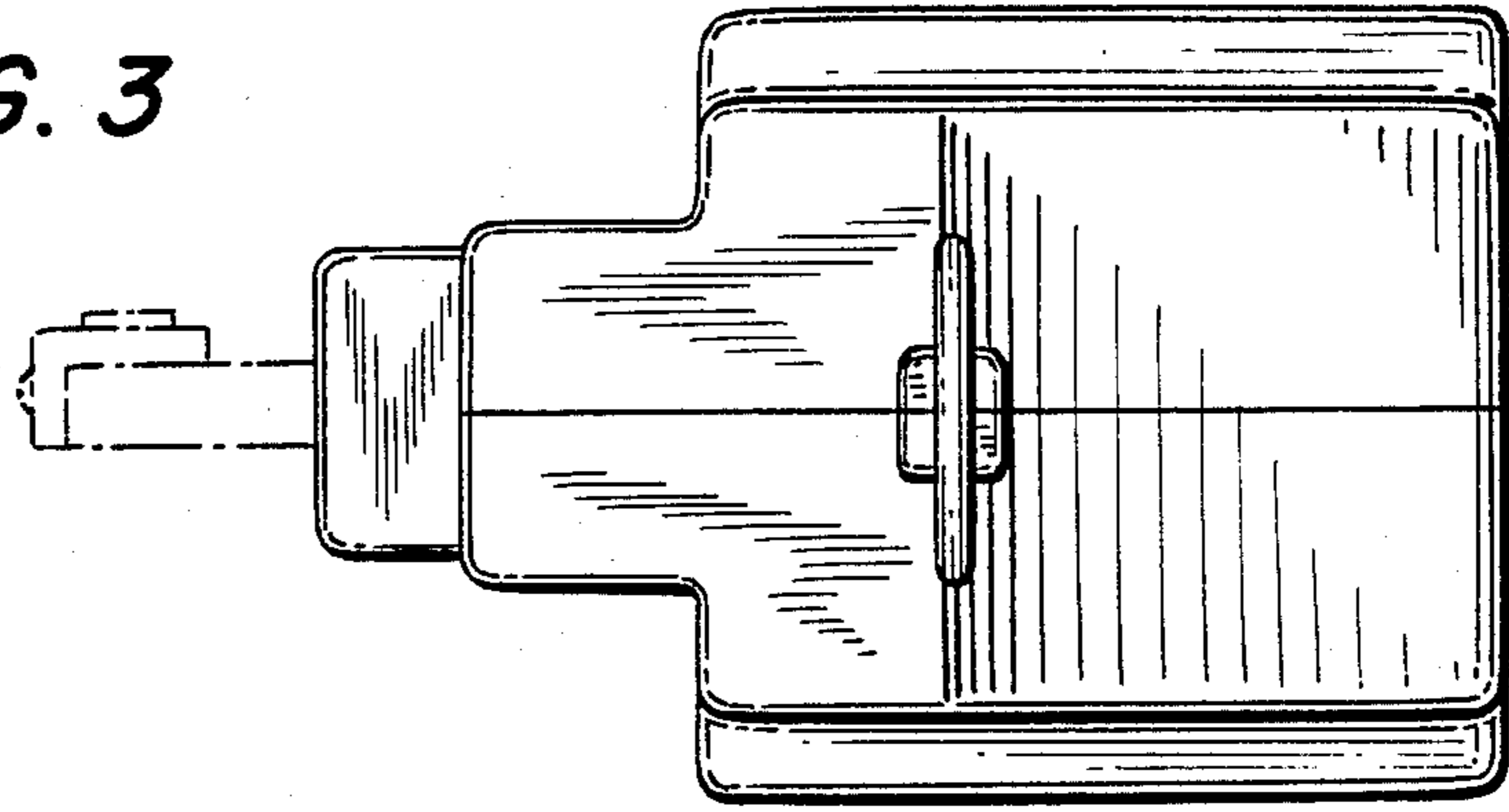


FIG. 4

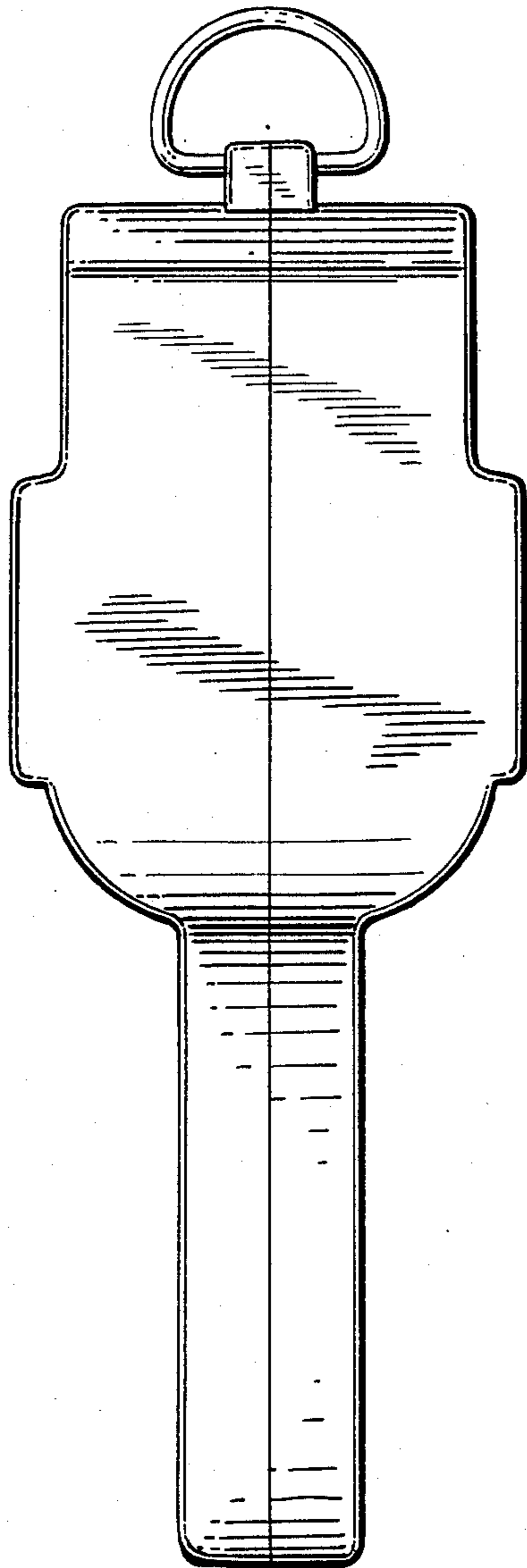


FIG. 5

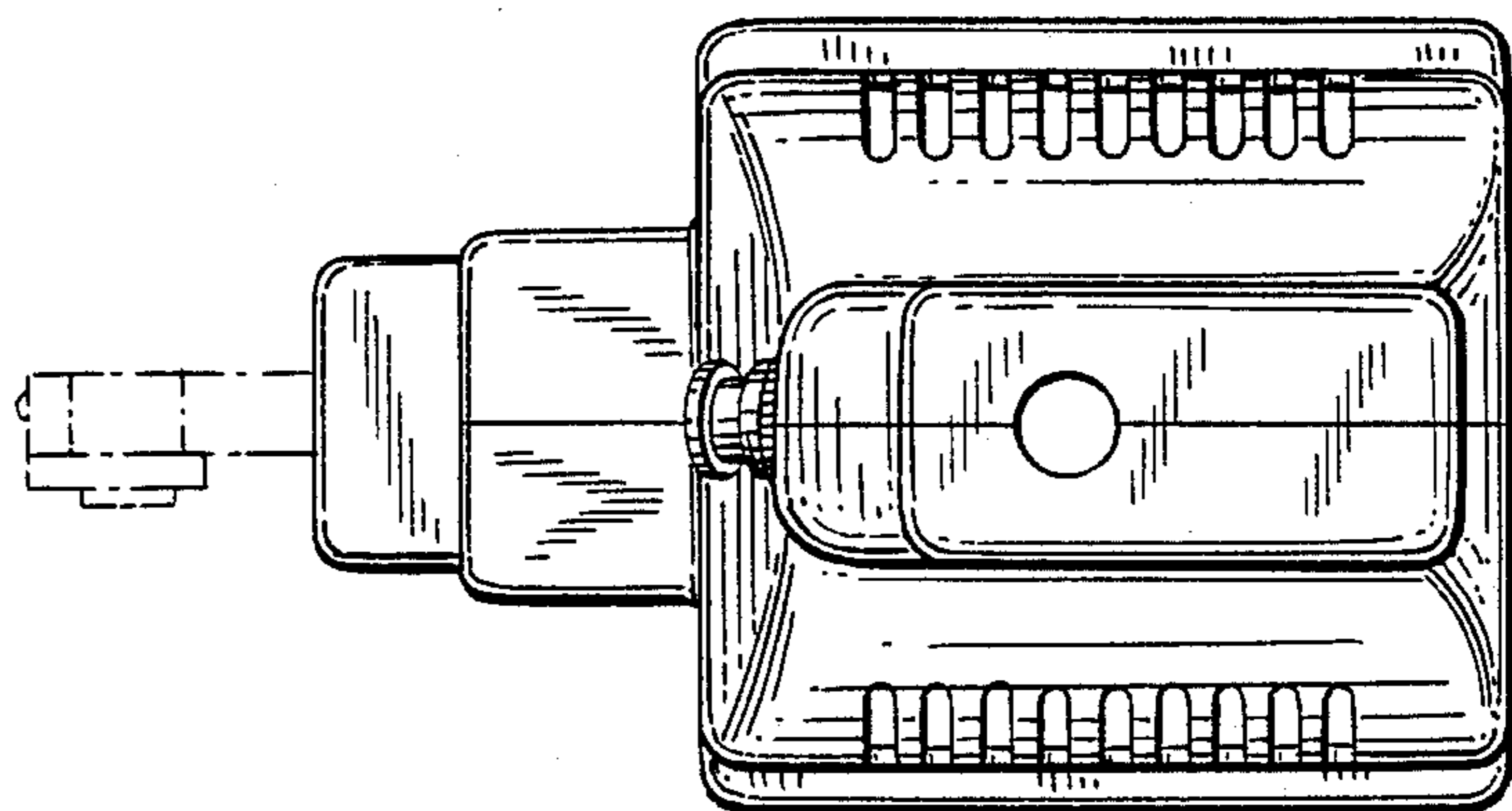


FIG. 6