

[54] PRESSURE COOKER

[76] Inventor: Hari D. Vasudeva, F101 Maker
Towers, Post Box No. 16083, Cuffe
Parade, Bombay, 400005, India

[**] Term: 14 Years

[21] Appl. No.: 710,912

[22] Filed: Mar. 11, 1985

Related U.S. Application Data

[63] Continuation-in-part of Ser. No. 414,429, Sep. 2, 1982,
abandoned.

[52] U.S. Cl. D7/358

[58] Field of Search D7/358, 361, 360, 323,
D7/354

[56] References Cited

U.S. PATENT DOCUMENTS

D. 122,786 10/1940 Wittenberg D7/358

D. 129,963 10/1941 Eck D7/358

D. 146,235 1/1947 Russell D7/358

D. 156,298 11/1949 Wagner D7/358

D. 157,002 1/1950 Sayers et al. D7/358

OTHER PUBLICATIONS

Pots and Pans for Your Kitchen, Home & Garden, #2,
Bulletin, Aug. 1950, p. 19, Pressure Cooker, #3, top r.

Primary Examiner—Winifred E. Herrmann
Attorney, Agent, or Firm—B. K. Niyogi

[57] CLAIM

The ornamental design for a pressure cooker, as shown
and described.

DESCRIPTION

FIG. 1 is a top plan view of a pressure cooker, showing
my new design;

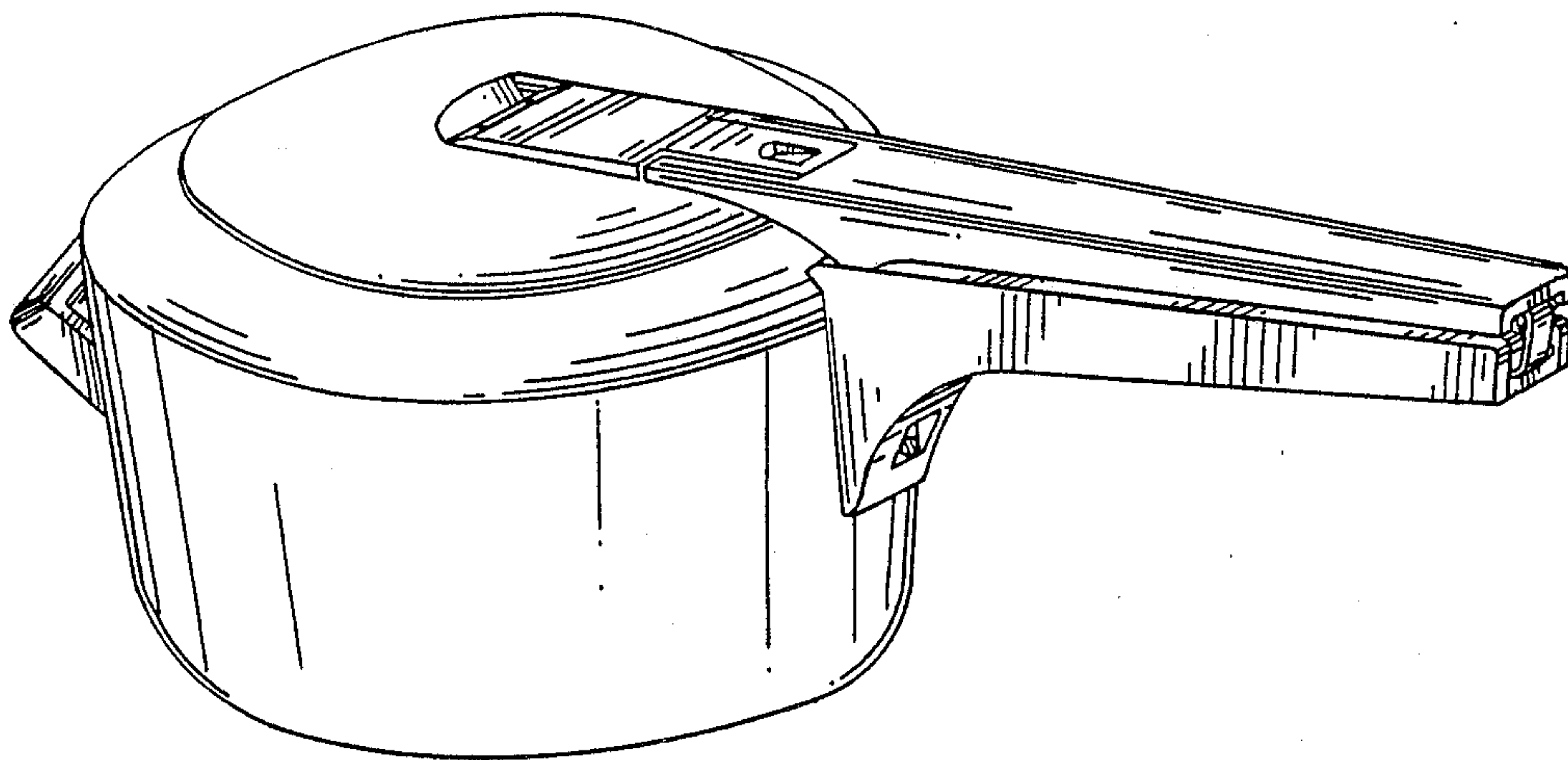
FIG. 2 is a front elevational view thereof;

FIG. 3 is a right side elevational view thereof;

FIG. 4 is a top, front, and right side perspective view
thereof;

FIG. 5 is a left side elevational view thereof; and

FIG. 6 is a bottom plan view thereof.



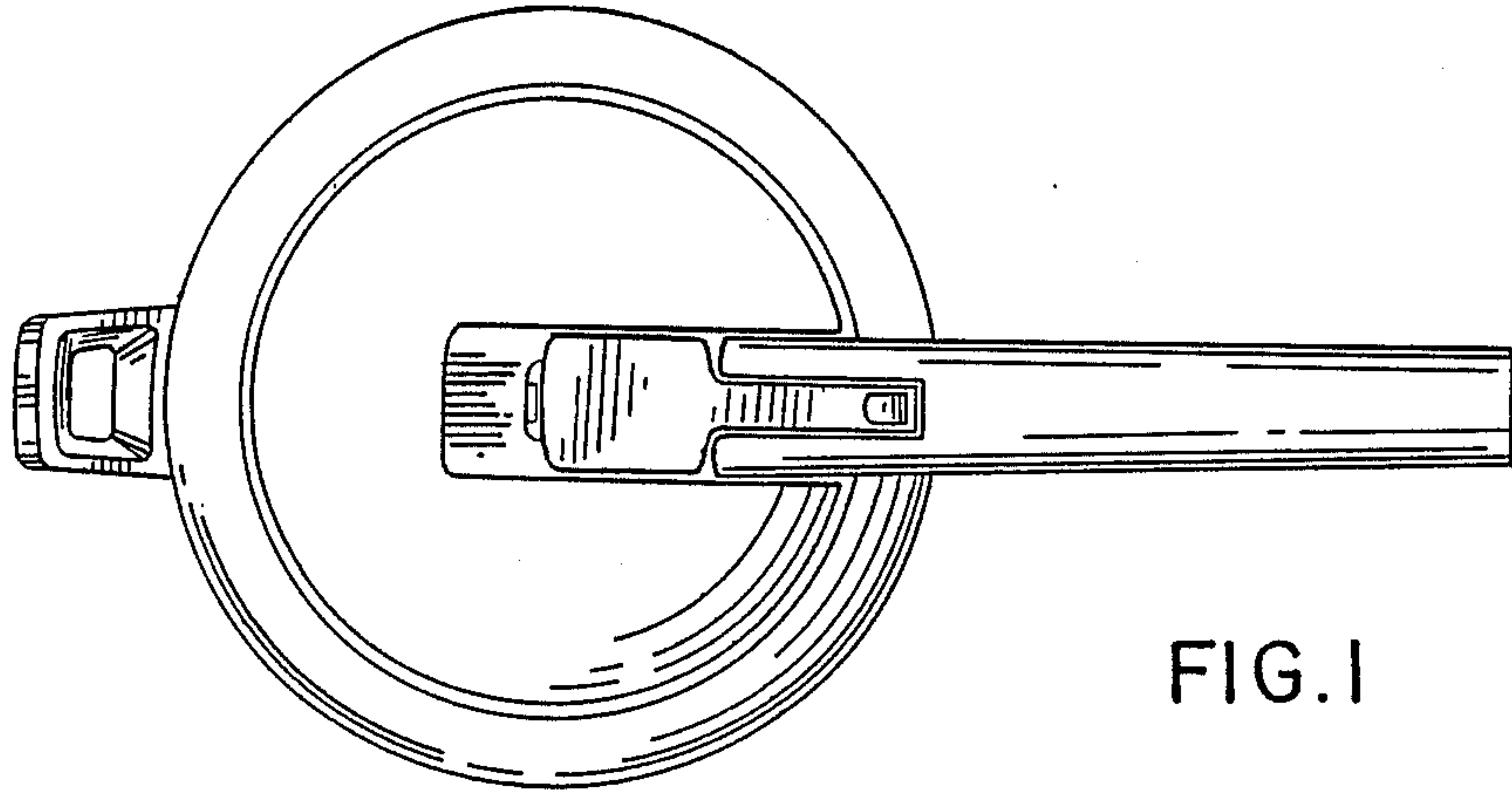


FIG. 1

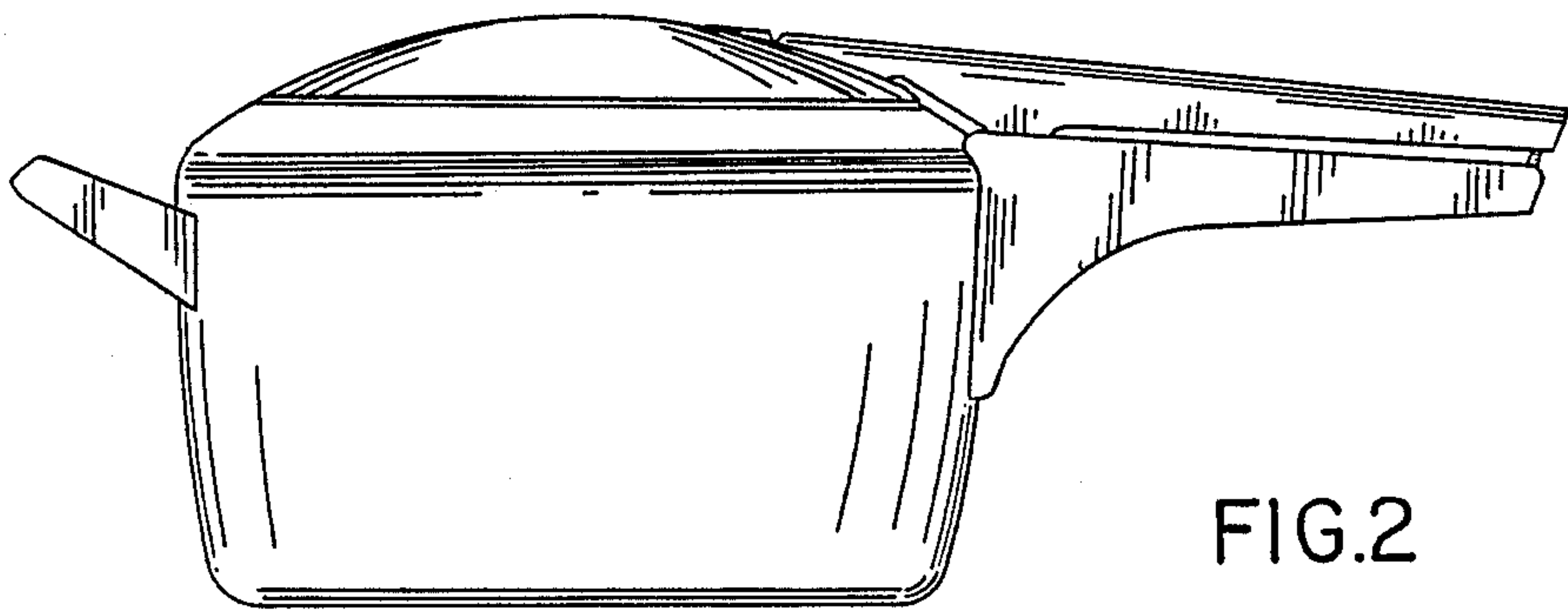


FIG. 2

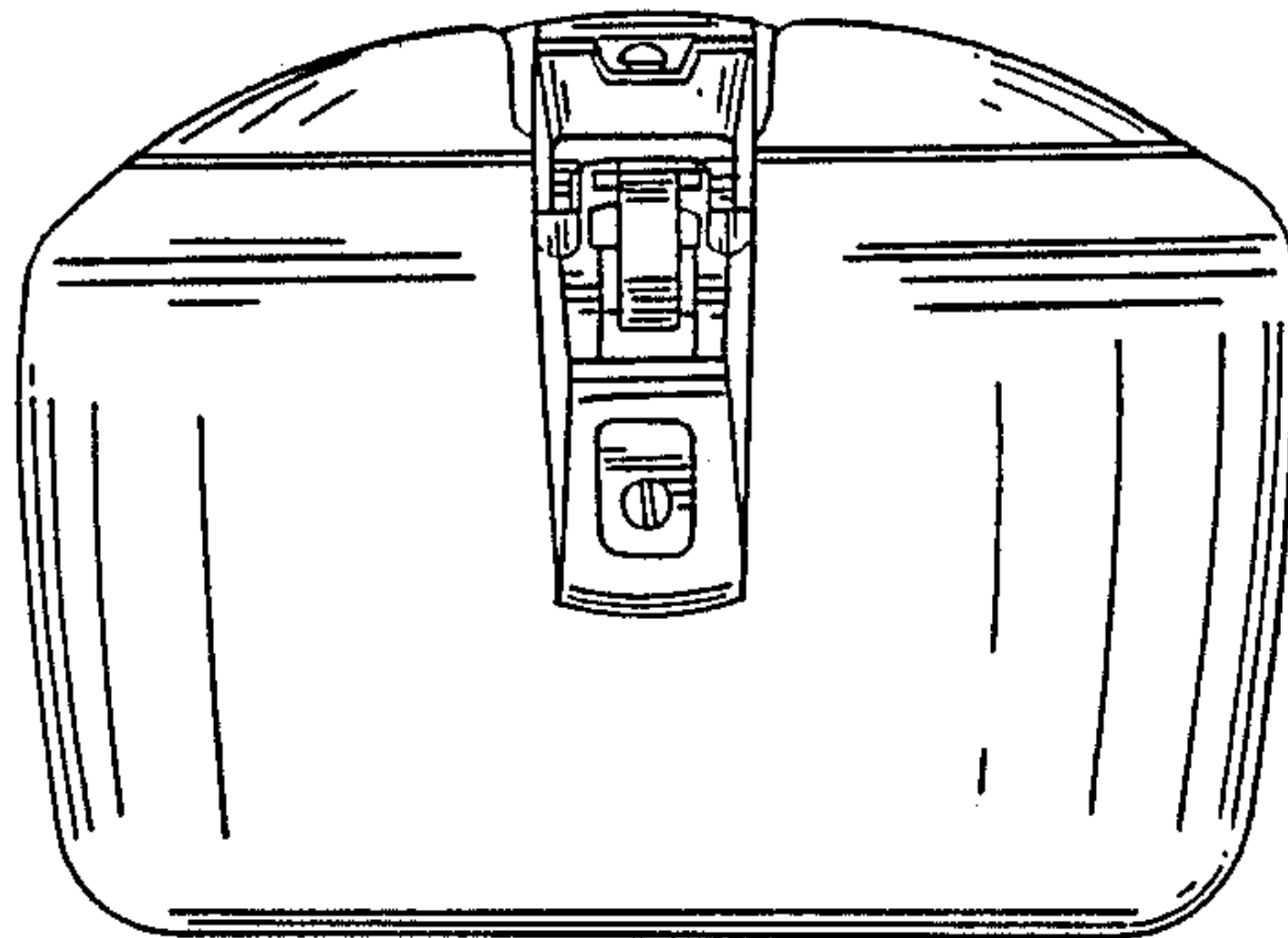


FIG. 3

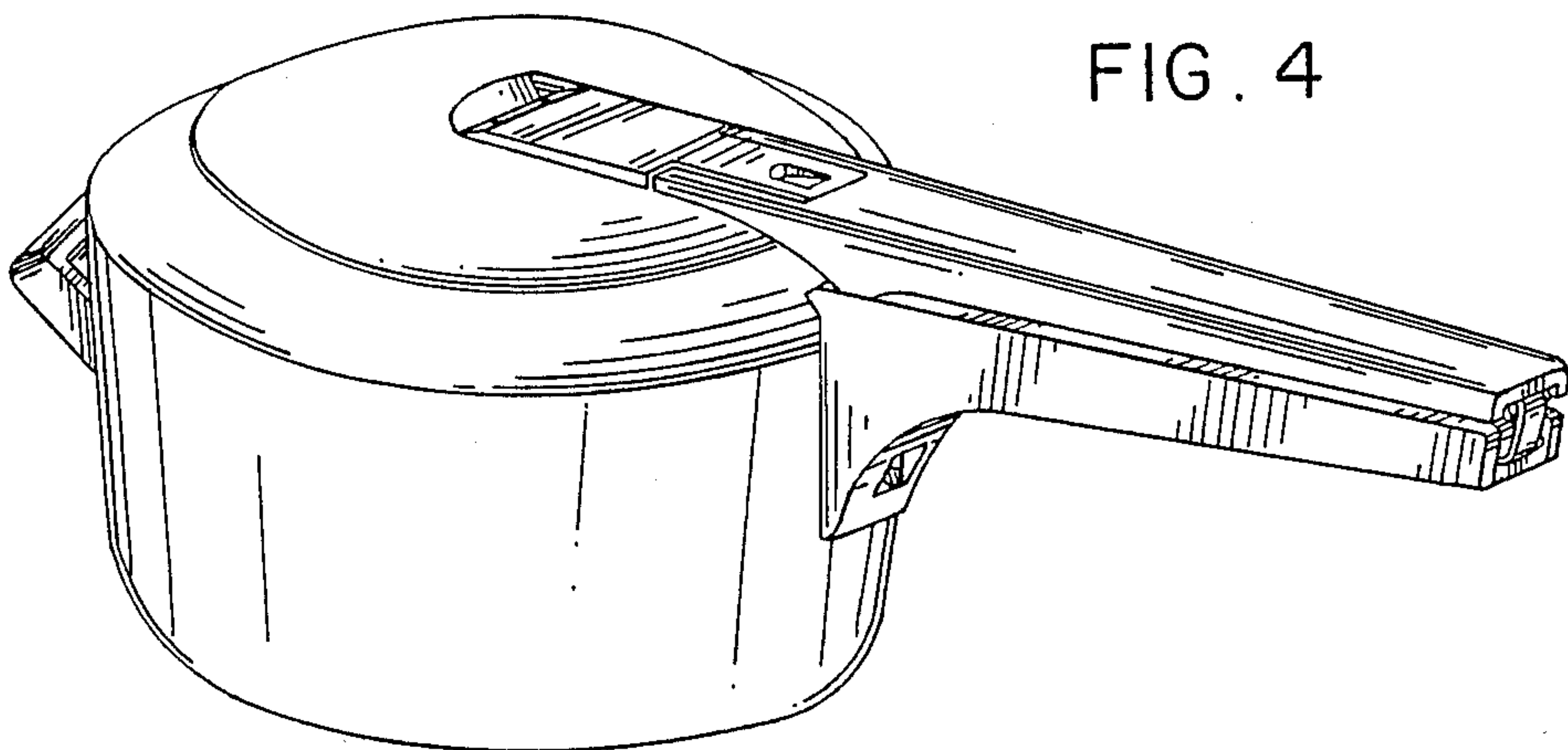


FIG. 4

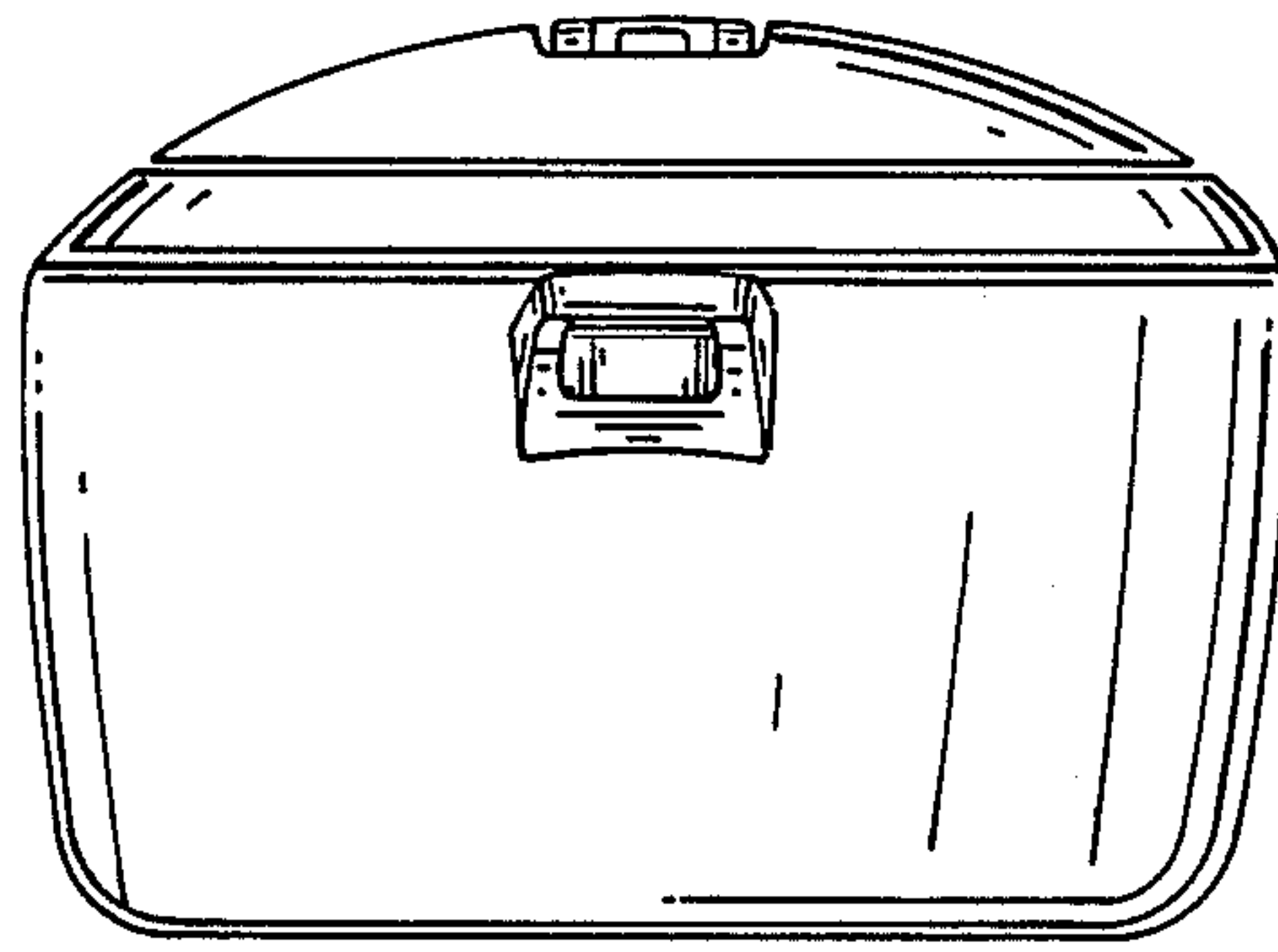


FIG. 5

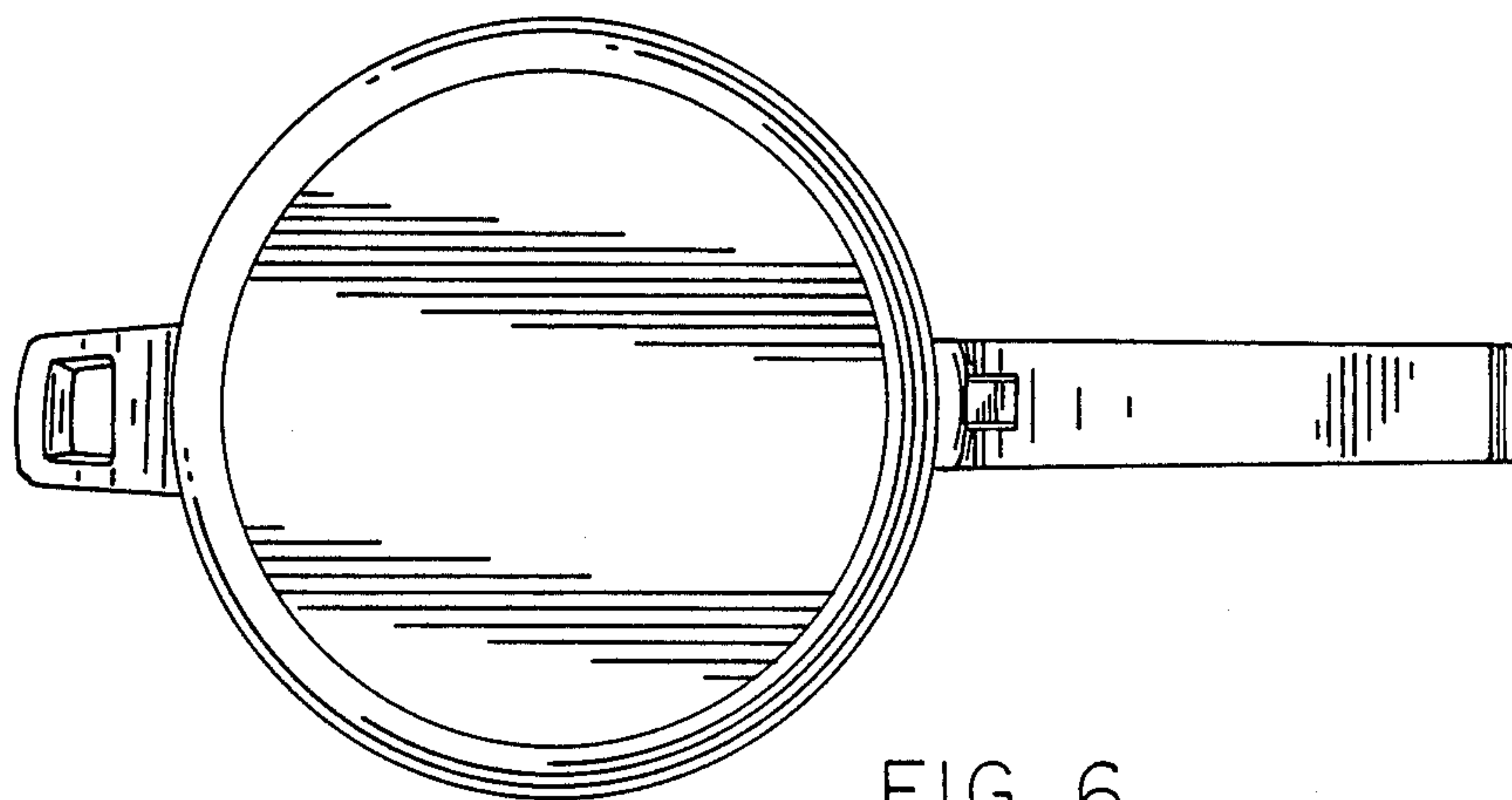


FIG. 6