

[54] BEVERAGE DISPENSING MACHINE

[75] Inventors: Mark F. Jennings, Windsor; Michael B. Woodhall, Maidenhead; Terence W. Gander, Bracknell, all of United Kingdom

[73] Assignee: Mars G.B. Limited, London, England

[**] Term: 14 Years

[21] Appl. No.: 898,126

[22] Filed: Aug. 19, 1986

[30] Foreign Application Priority Data

Feb. 19, 1986 [GB] United Kingdom 86 1032333

[52] U.S. Cl. D7/309

[58] Field of Search 99/295, 323, 323.3, 99/306; D7/305, 300, 312, 309, 397, 399, 308

[56] References Cited

U.S. PATENT DOCUMENTS

- D. 269,183 5/1983 Van Asten D7/309
- D. 277,070 1/1985 Elkerbout D7/309

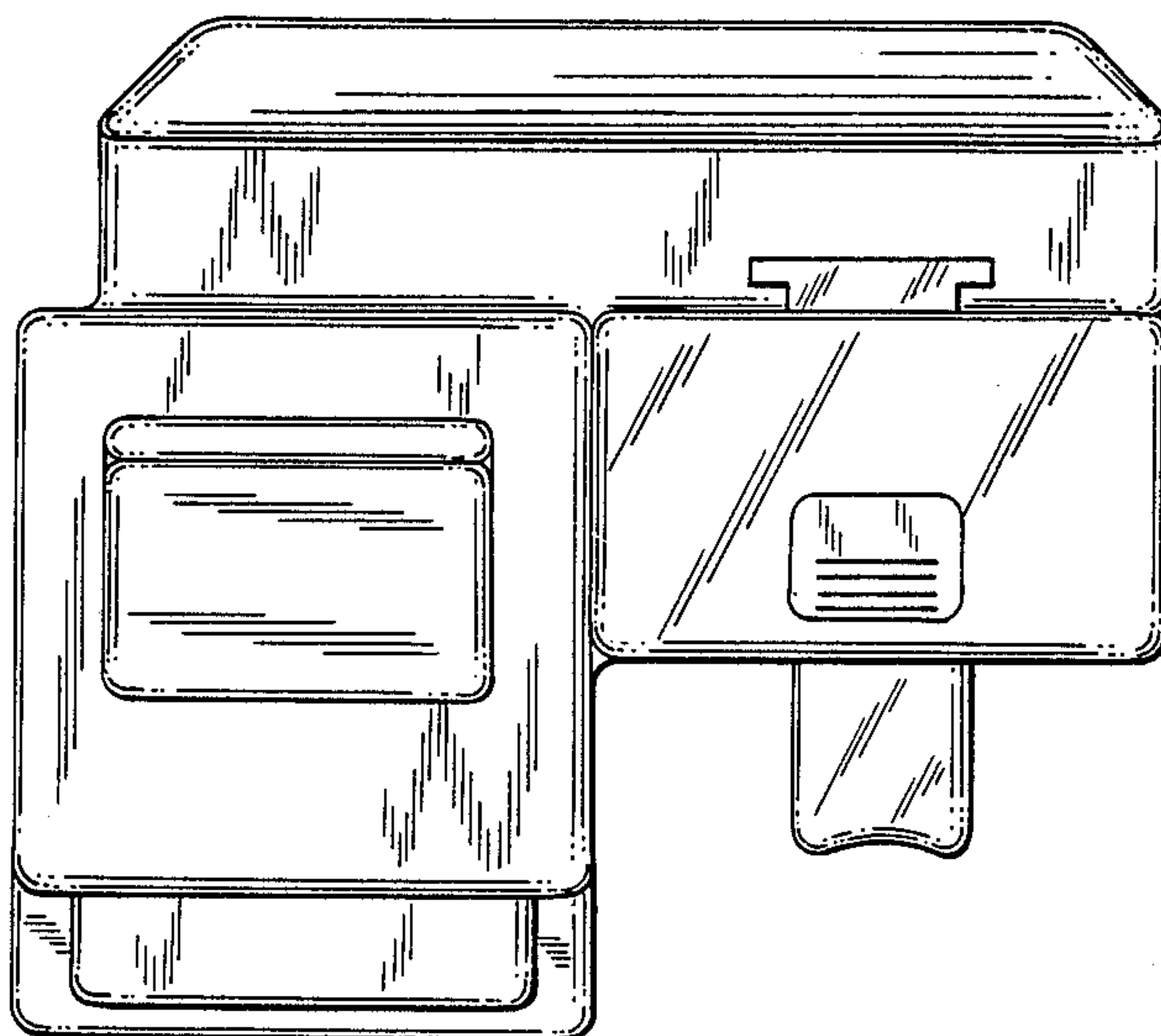
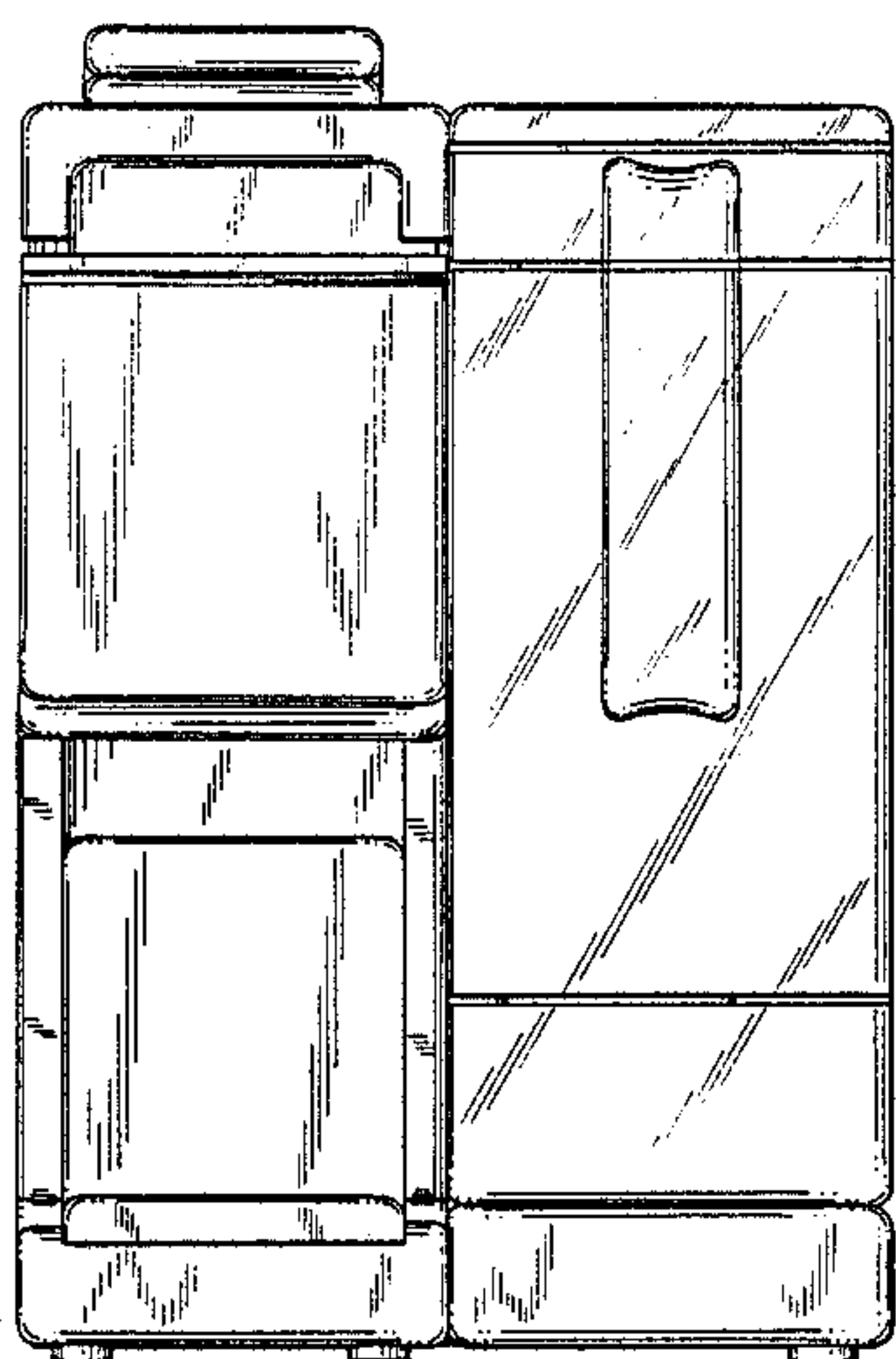
Primary Examiner—Winifred E. Herrmann
Attorney, Agent, or Firm—Curtis, Morris & Safford

[57] CLAIM

The ornamental design for a beverage dispensing machine, as shown and described.

DESCRIPTION

FIG. 1 is a side elevational view of a beverage dispensing machine showing our new design;
 FIG. 2 is a front elevational view;
 FIG. 3 is a side elevational view opposite the side shown in FIG. 1;
 FIG. 4 is a top plan view;
 FIG. 5 is a rear elevational view; and
 FIG. 6 is a bottom plan view.



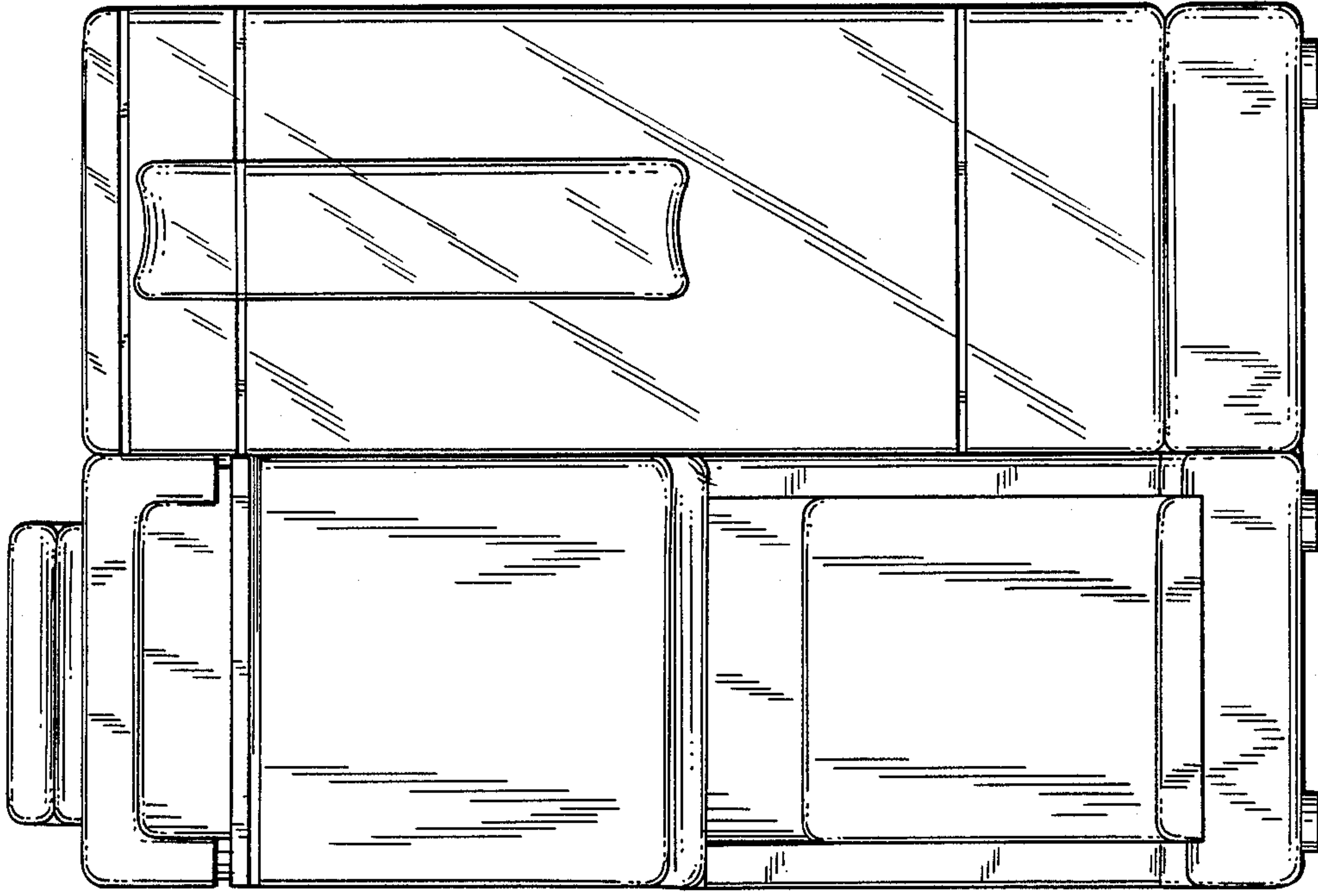


FIG. 1

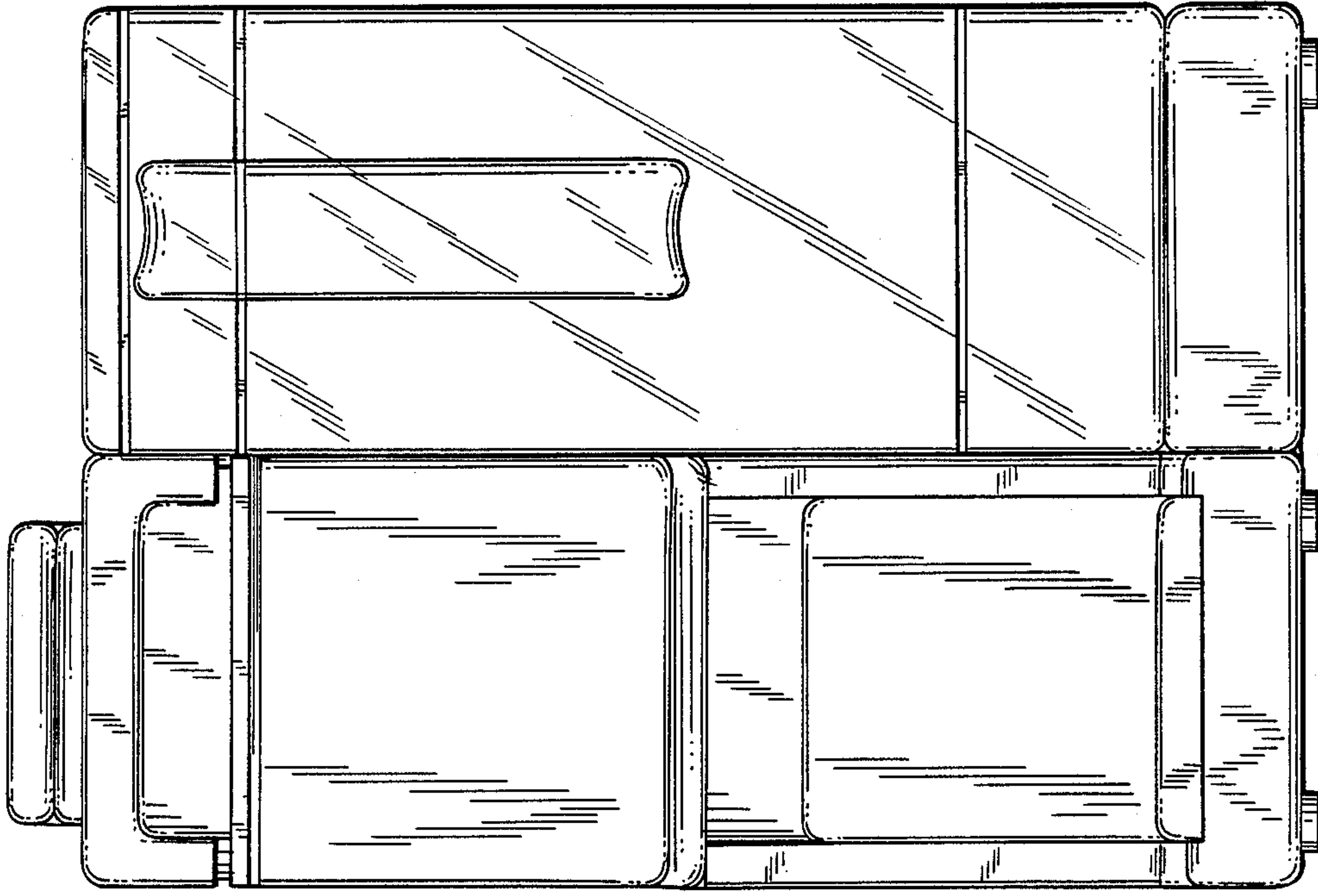


FIG. 2

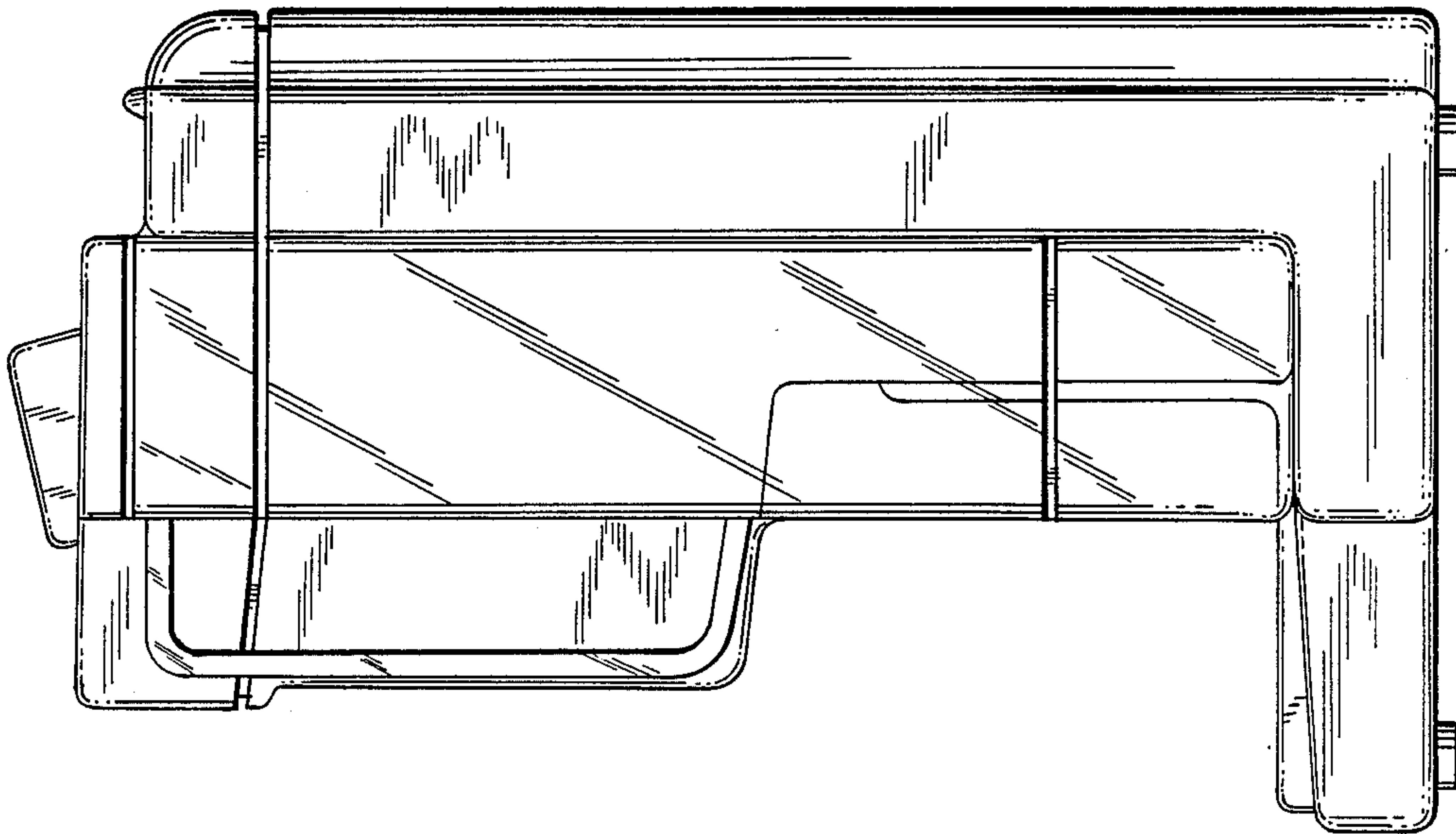


FIG. 3

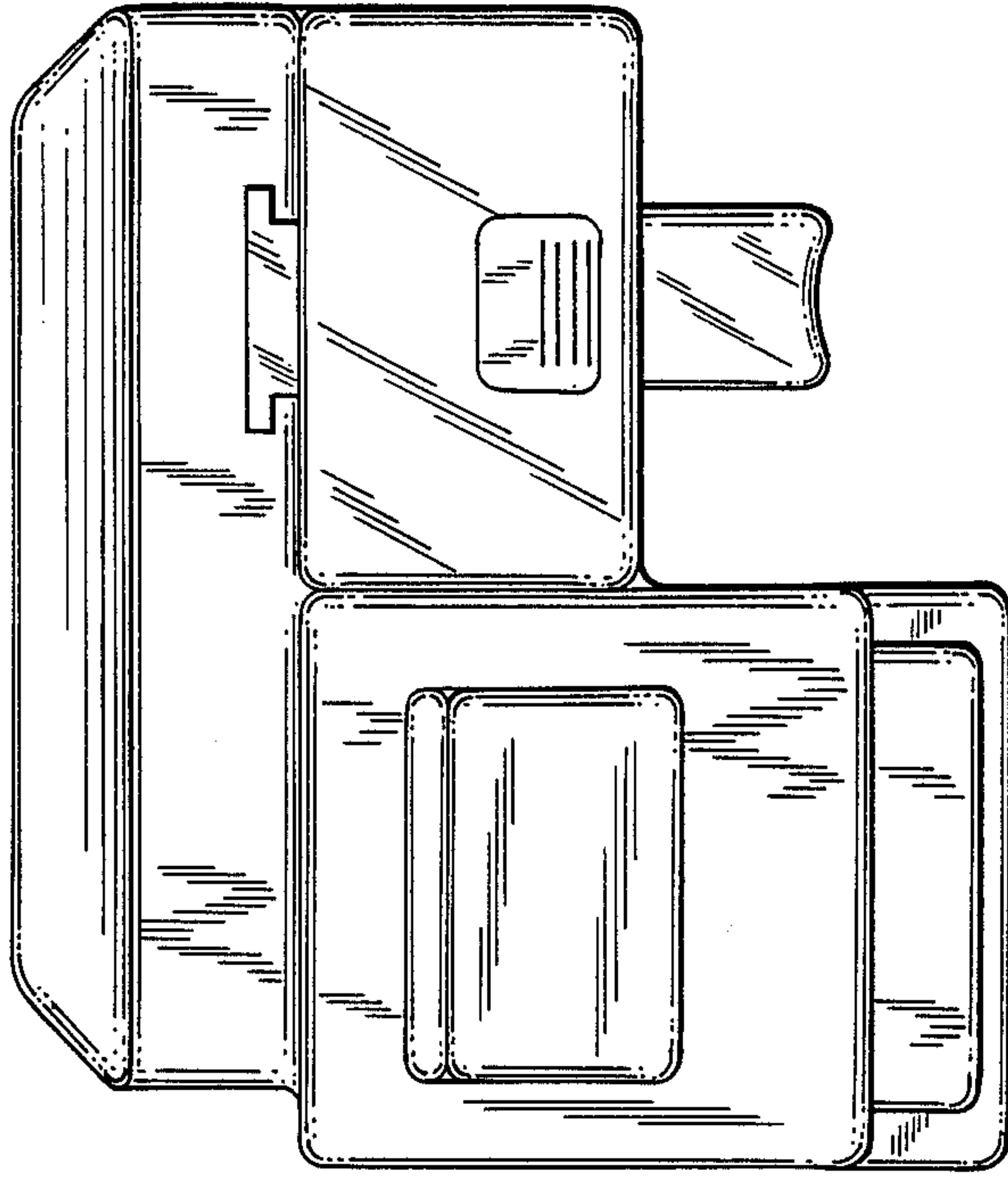


FIG. 4

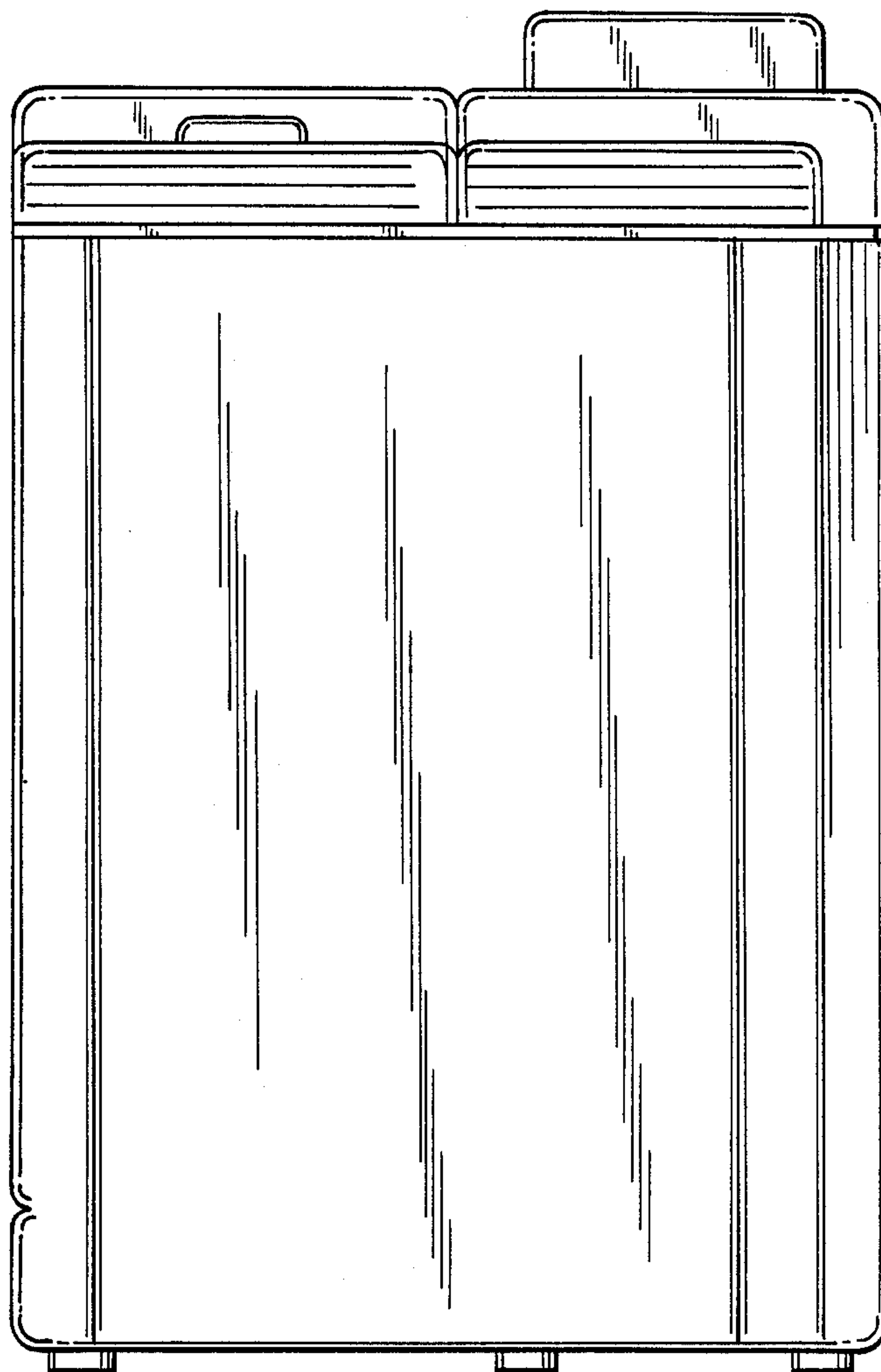


FIG. 5

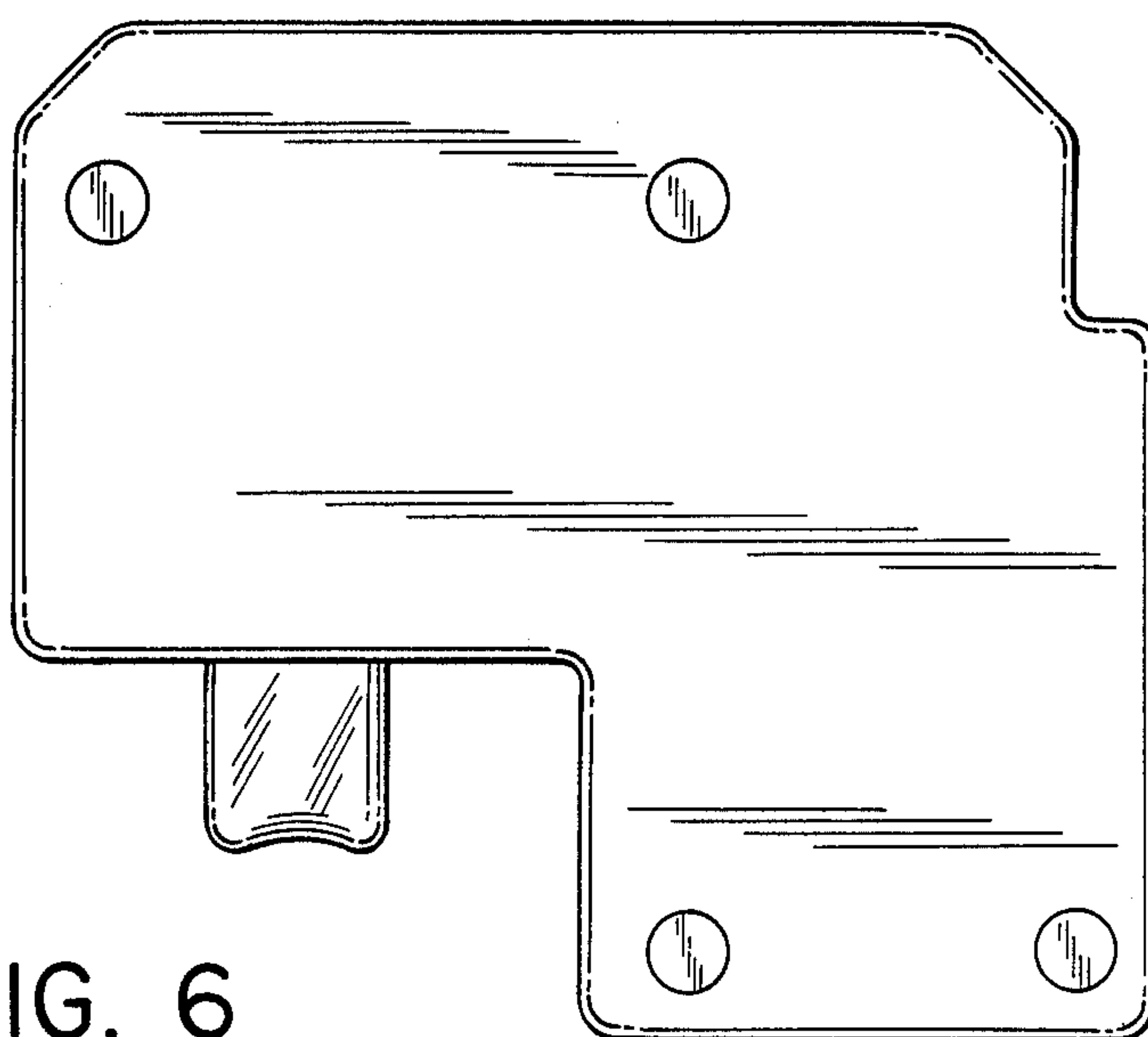


FIG. 6