

[54] COOKING DEVICE FOR HOLDING FOOD-CONTAINING BAGS

[75] Inventors: William D. Hiscott, Chicago, Ill.; Ina Witlin, North Miami Beach, Fla.; Theodore J. Hasler; Andrew T. Jastrzebski, both of Chicago, Ill.

[73] Assignee: Ekco Housewares, Inc., Franklin Park, Ill.

[**] Term: 14 Years

[21] Appl. No.: 45,141

[22] Filed: May 4, 1987

[52] U.S. Cl. D7/99

[58] Field of Search D7/99, 409, 70; D19/90; 294/137, 1.1, 26.5, 142, 164-165; 99/426, 394; 248/95

[56] References Cited

U.S. PATENT DOCUMENTS

D. 171,973	4/1954	Hays	294/137
D. 215,509	9/1969	Vernon	D19/90
D. 266,129	9/1982	Lidstrom	D6/184
D. 270,029	8/1983	McLean	D7/70
D. 289,181	4/1987	Solomon	D19/90
2,740,349	4/1956	De Gonia	99/426

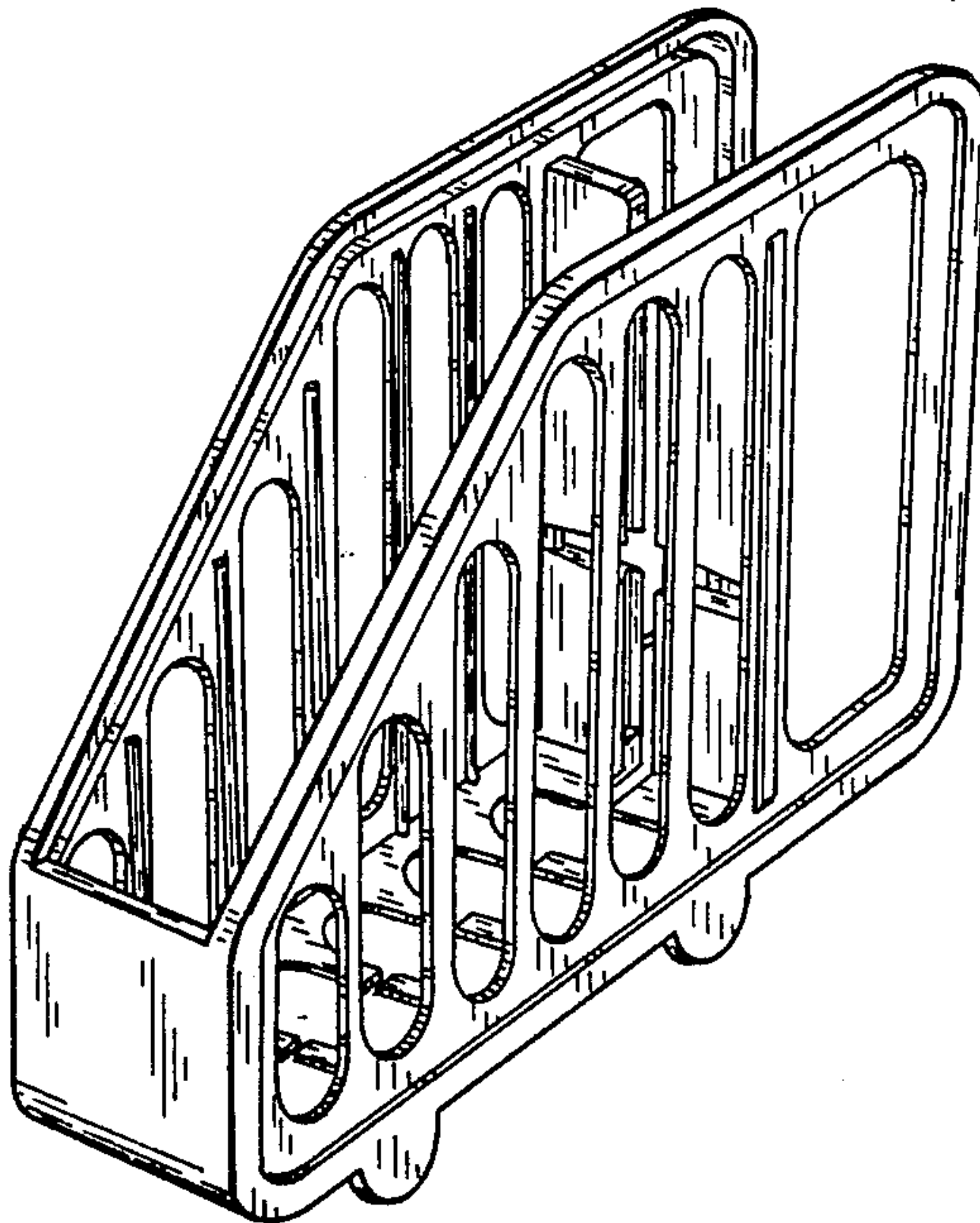
Primary Examiner—Bernard Ansher
Assistant Examiner—Terry A. Pfeffer
Attorney, Agent, or Firm—Robert D. Teichert

[57] CLAIM

The ornamental design for a cooking device for holding food-containing bags, as shown.

DESCRIPTION

FIG. 1 is a side elevational view of a cooking device for holding food containing bags showing our new design; FIG. 2 is a left end elevational view thereof; FIG. 3 is a right end elevational view thereof; FIG. 4 is a top plan view thereof; FIG. 5 is a bottom plan view thereof; FIG. 6 is a perspective view thereof.



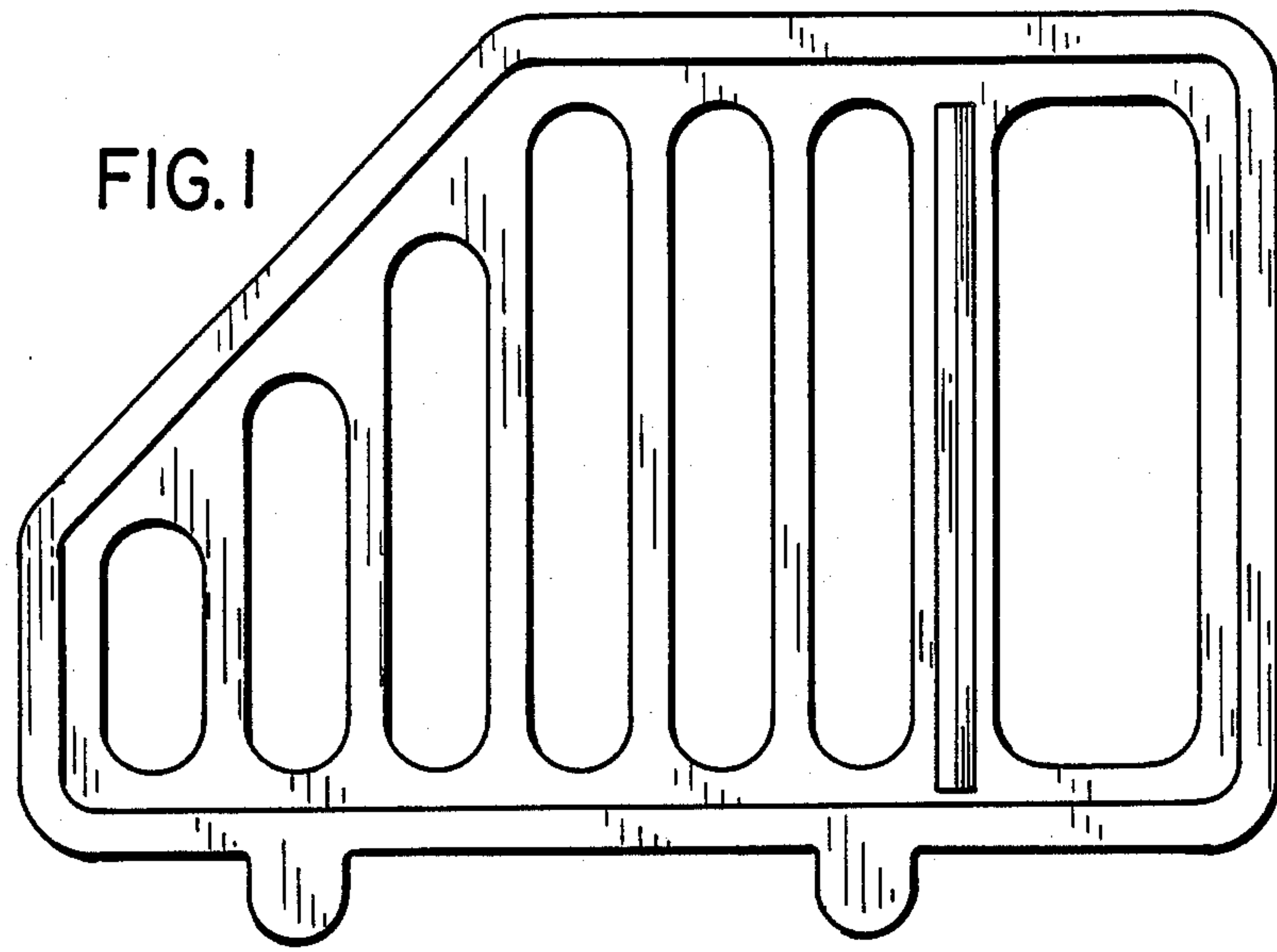


FIG. 1

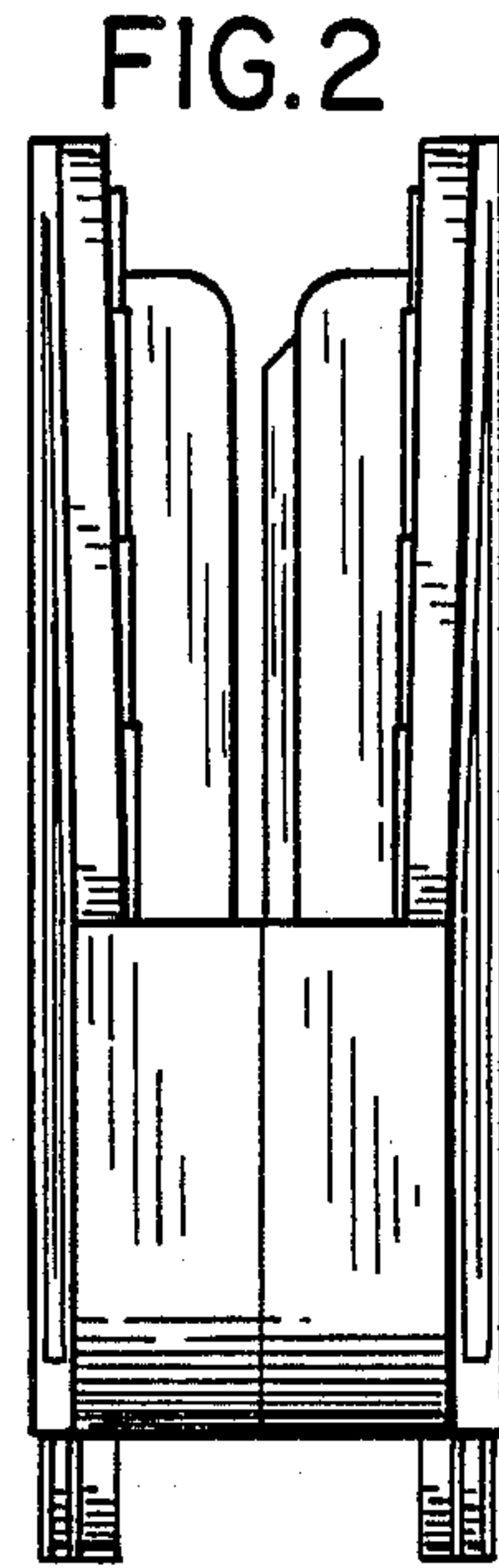


FIG. 2

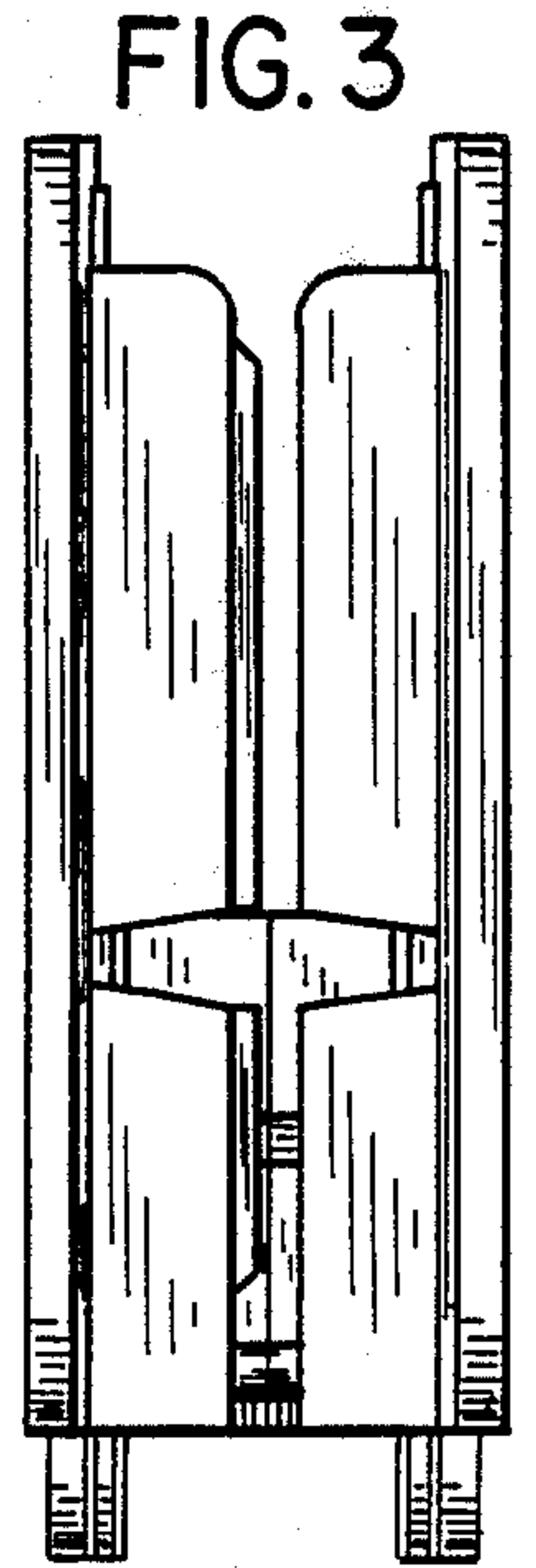


FIG. 3

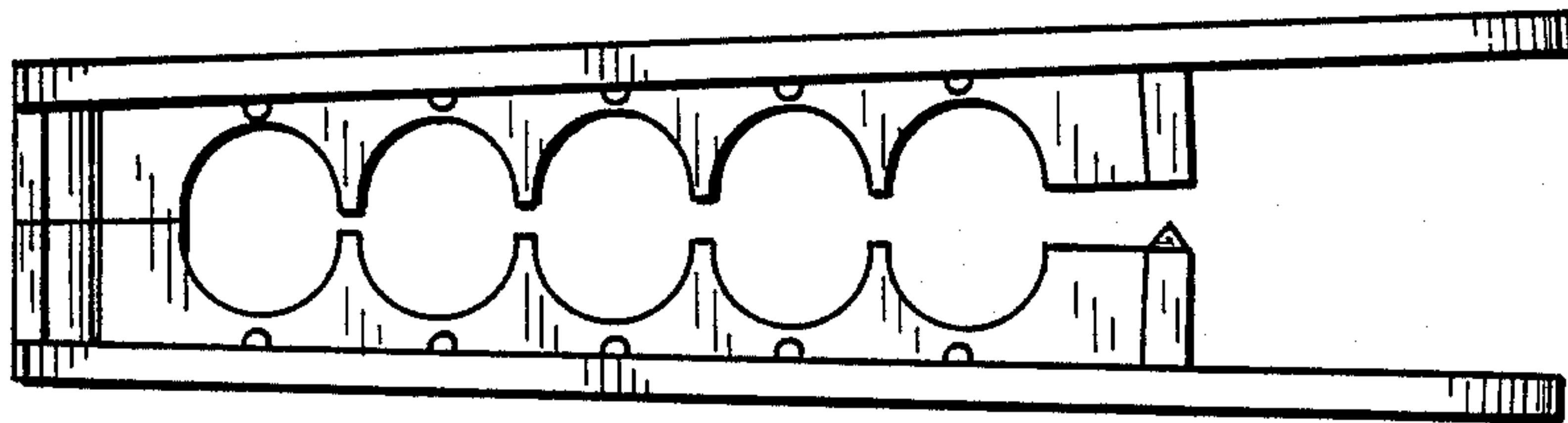


FIG. 4

FIG. 5

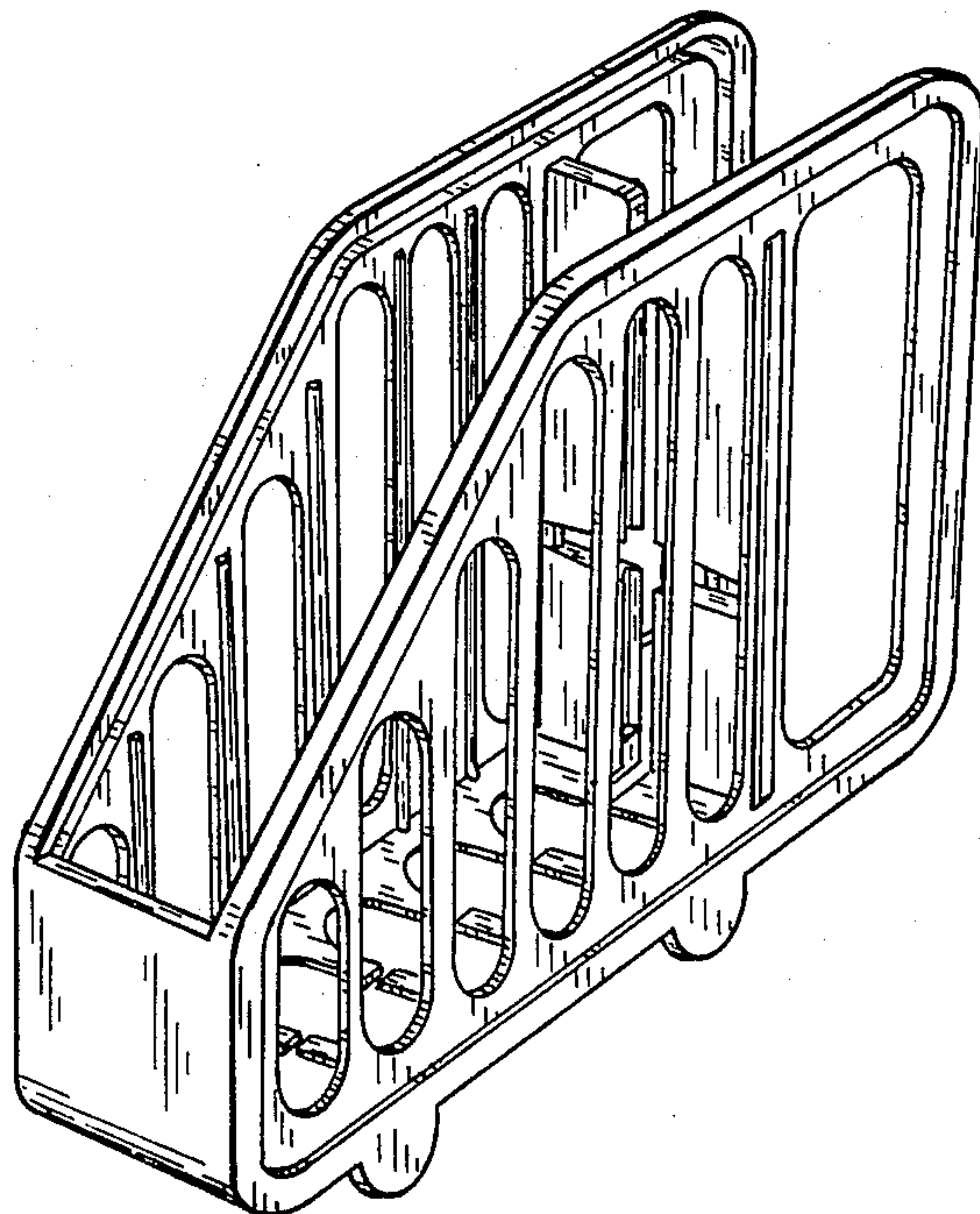
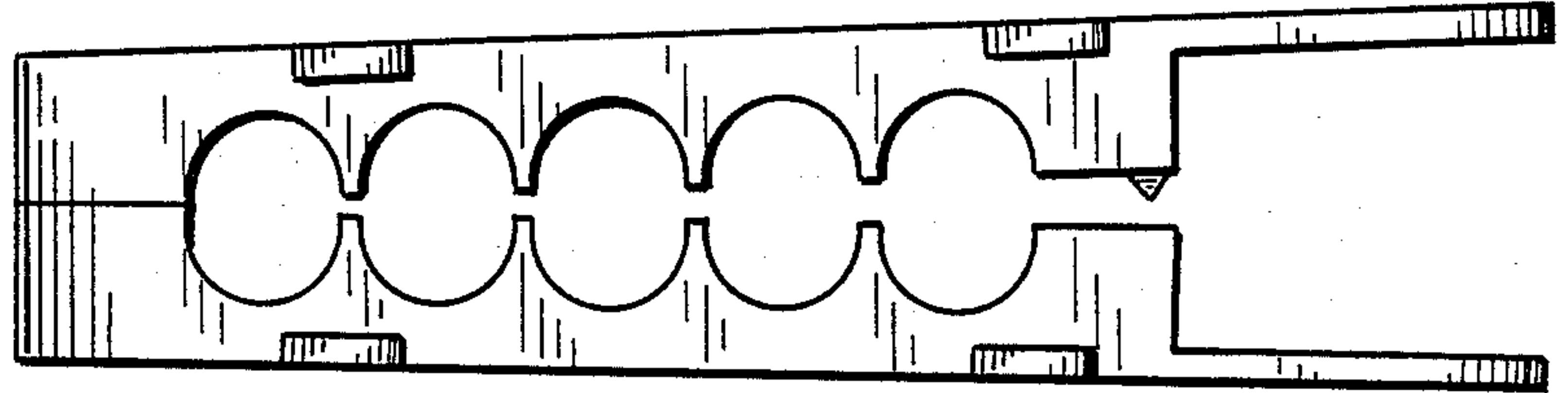


FIG. 6