

[54] CUP HOLDER OR THE LIKE

[76] Inventor: Howard J. Smith, 6389 Pawnee Dr., West Jordan, Utah 84084

[**] Term: 14 Years

[21] Appl. No.: 929,158

[22] Filed: Nov. 10, 1986

[52] U.S. Cl. D7/70

[58] Field of Search D7/70, 71; D9/455; 294/27.1, 31.2, 32, 33; 248/311.2; 211/71, 74; 224/252, 269

[56] References Cited

U.S. PATENT DOCUMENTS

D. 226,623	4/1973	Shuford	D44/21 A
D. 299,804	2/1989	Normandin	D7/70
1,772,665	8/1930	Henry .	
1,902,608	3/1933	Baltzley et al. .	
2,289,701	7/1942	Engel et al.	248/313

2,686,032	8/1954	Thorson	248/211
3,312,441	4/1967	Molenda	248/210
4,395,013	7/1983	Wissinger	248/311.2 X
4,702,446	10/1987	Brown	248/311.2 X

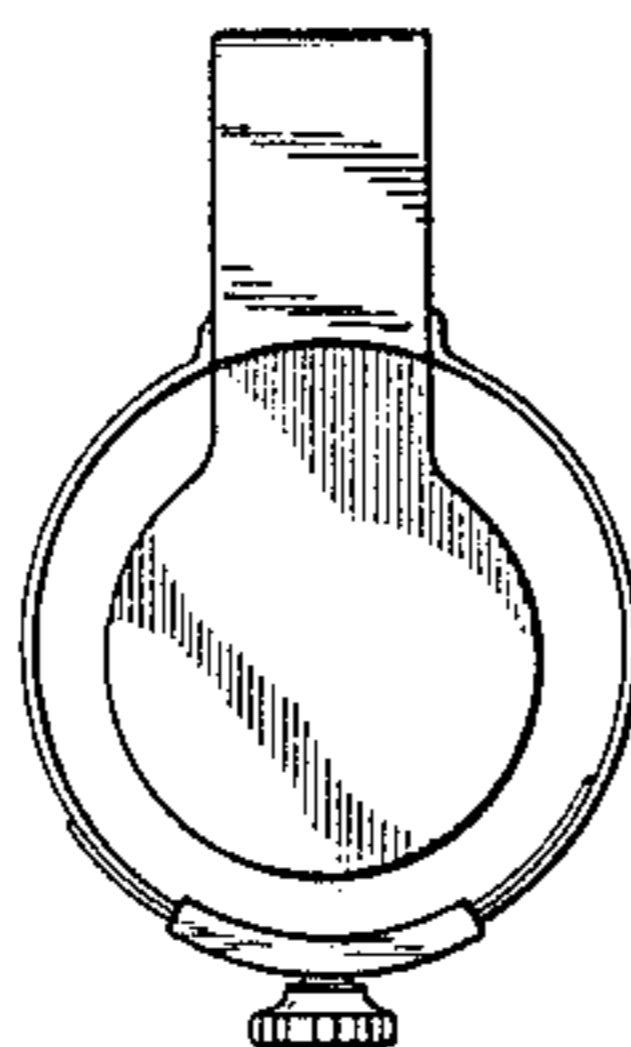
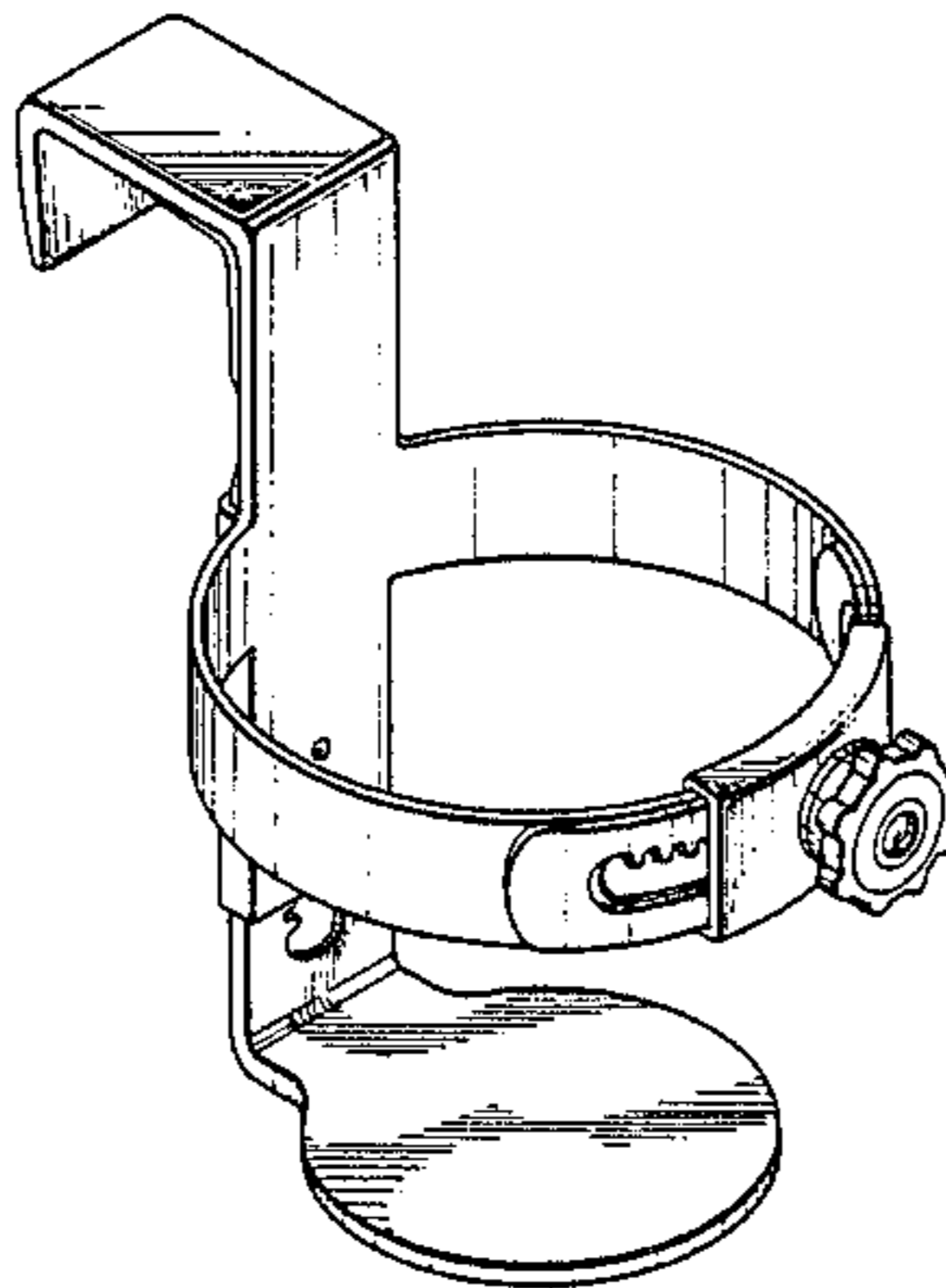
Primary Examiner—Bernard Ansher
Assistant Examiner—Terry A. Pfeffer
Attorney, Agent, or Firm—Berne S. Broadbent

[57] CLAIM

The ornamental design for a cup holder or the like, as shown and described.

DESCRIPTION

FIG. 1 is a perspective view of a cup holder or the like showing my new design;
FIG. 2 is a top plan view thereof.
FIG. 3 is a right side elevation view thereof.
FIG. 4 is a front elevation view thereof.
FIG. 5 is a left side elevation view thereof.
FIG. 6 is a rear elevational view thereof; and
FIG. 7 is a bottom plan view thereof.



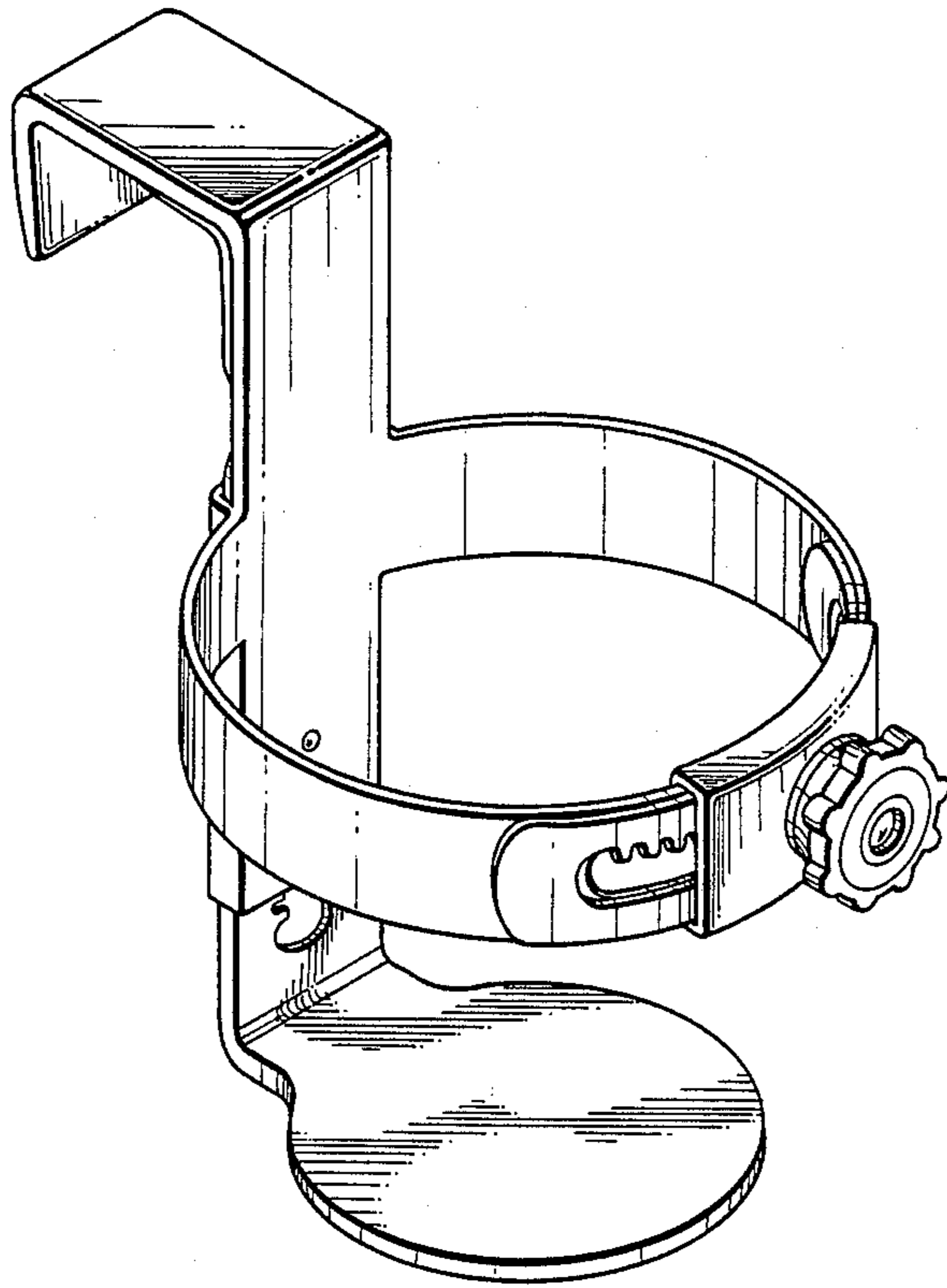


FIG. 1

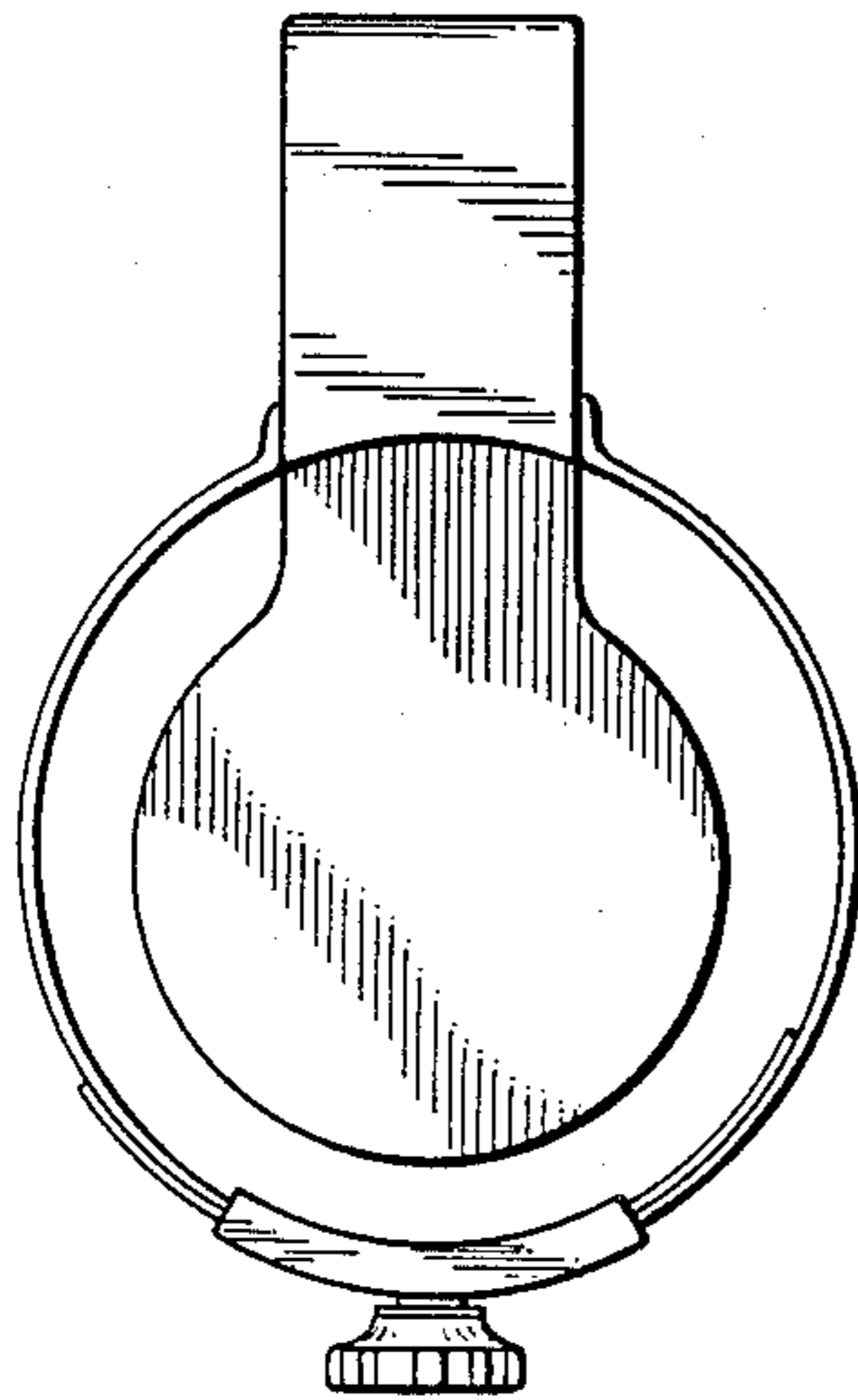


FIG. 2

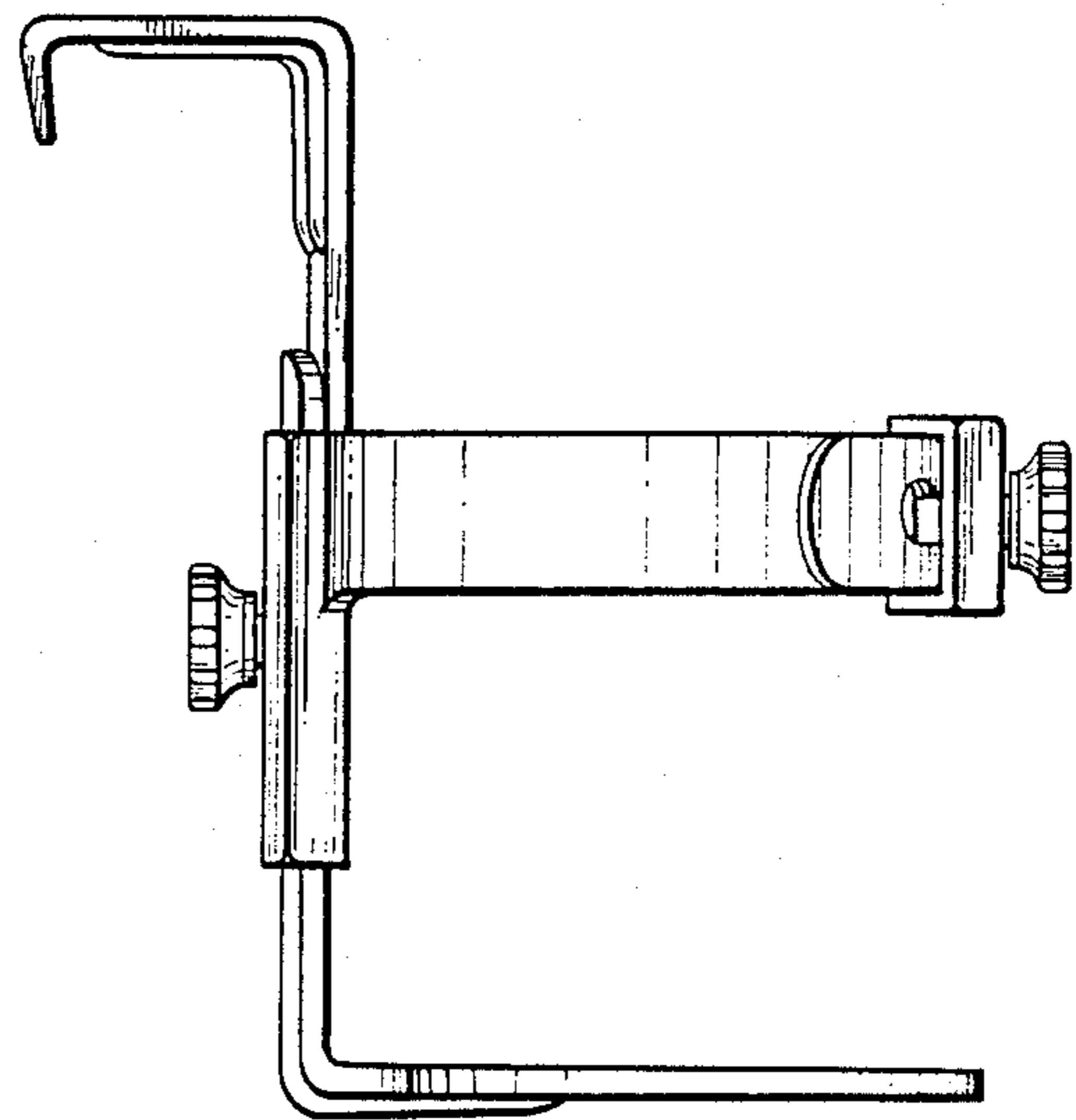


FIG. 3

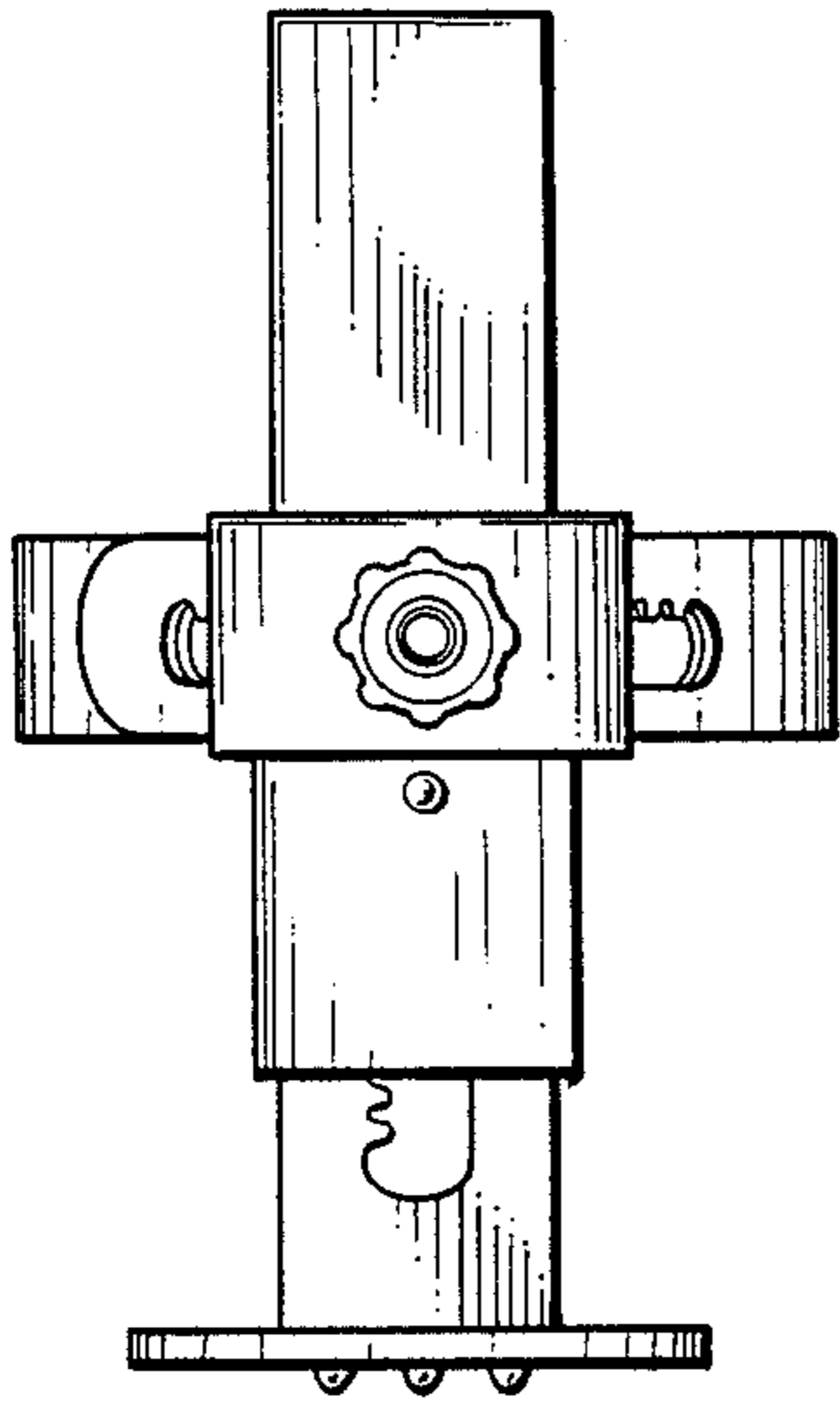


FIG. 4

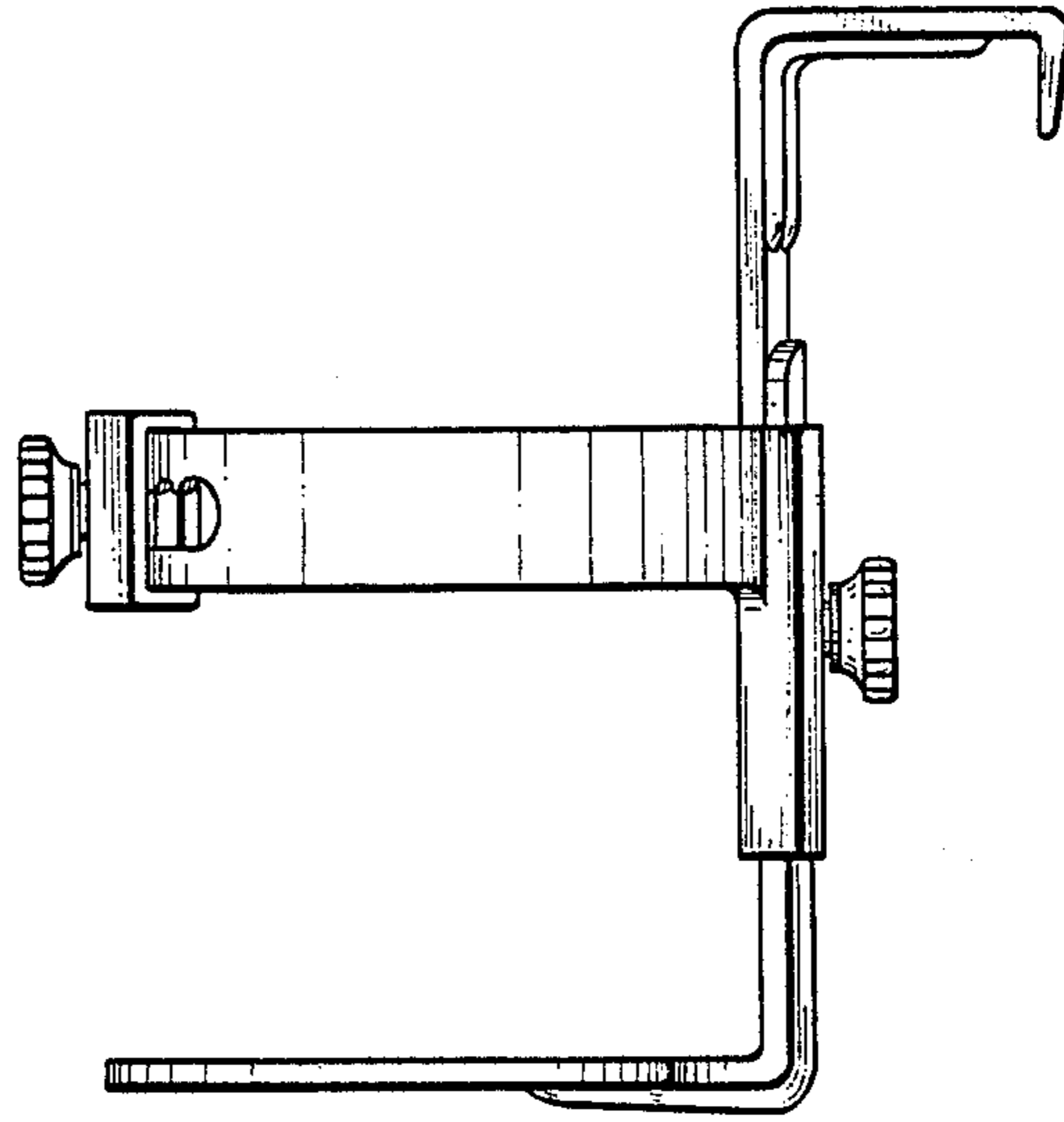


FIG. 5

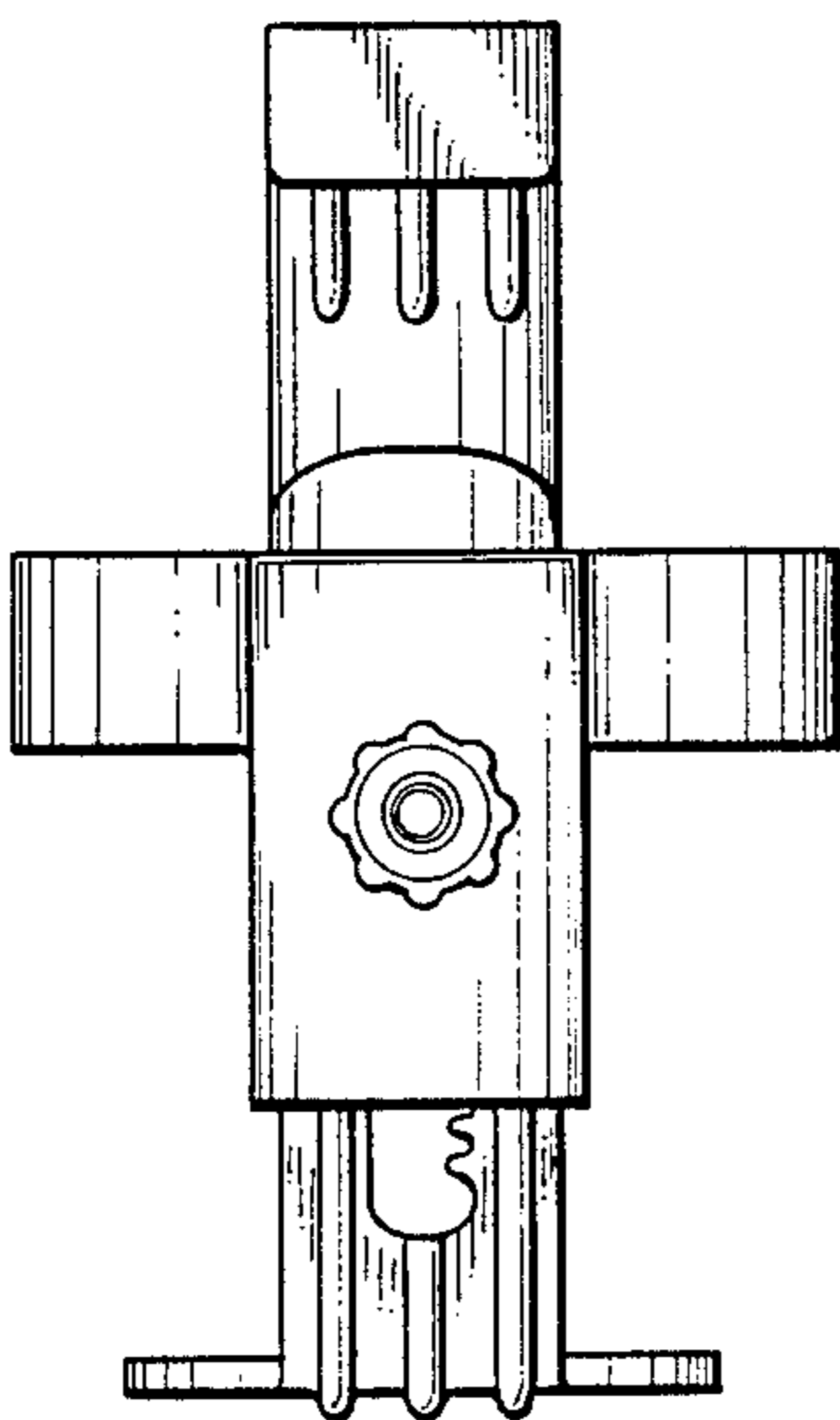


FIG. 6

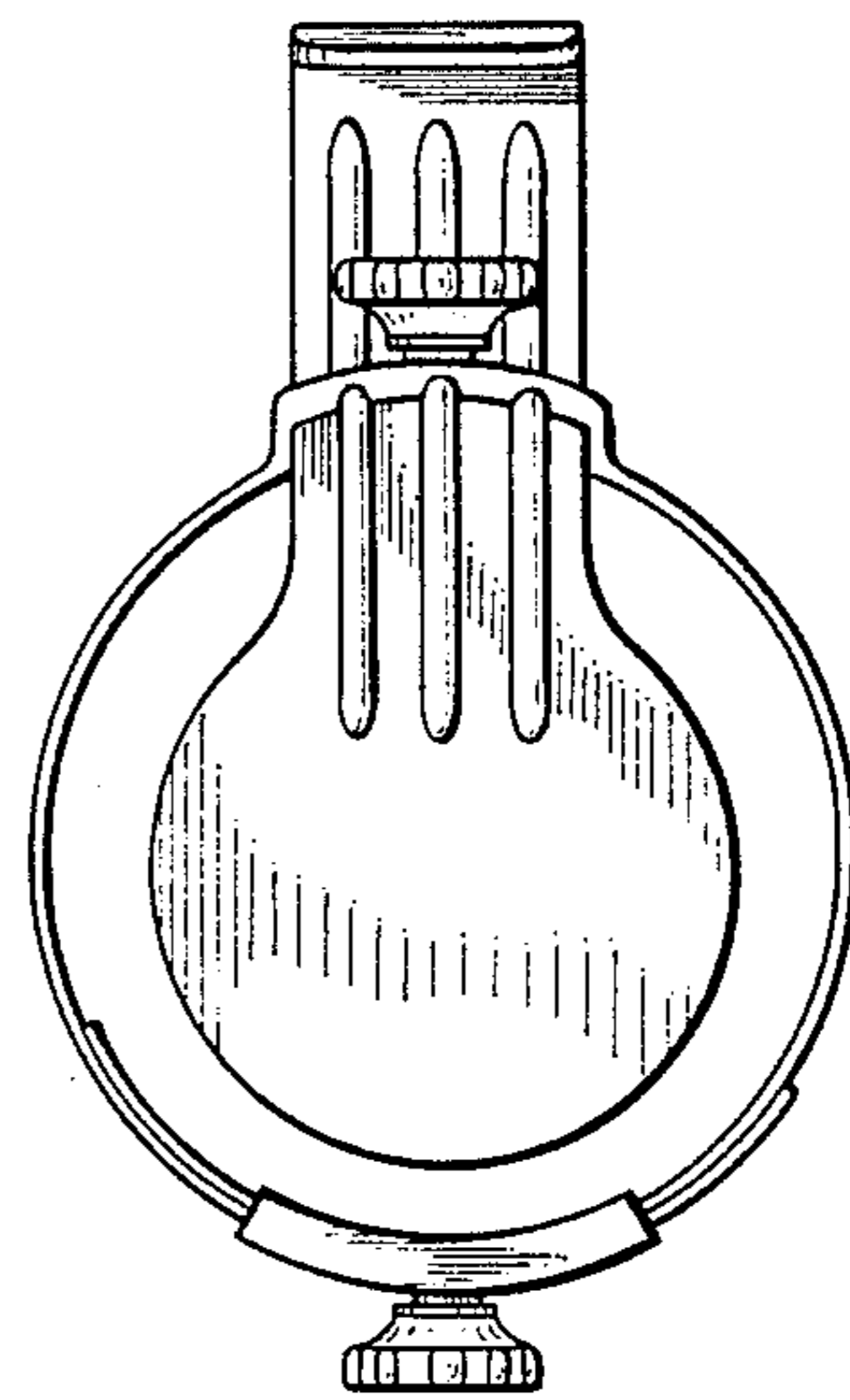


FIG. 7