

[54] MEASURING CUP

[75] Inventor: William A. Prindle, Santa Barbara, Calif.

[73] Assignee: Corning Incorporated, Corning, N.Y.

[**] Term: 14 Years

[21] Appl. No.: 944,617

[22] Filed: Dec. 22, 1986

[52] U.S. Cl. D7/50

[58] Field of Search D7/50, 104, 137;
30/324-328; 73/426-429

[56] References Cited

U.S. PATENT DOCUMENTS

D. 261,465 10/1981 Minchew D7/50 X

2,718,060 9/1955 Buck, Jr. 73/426 X

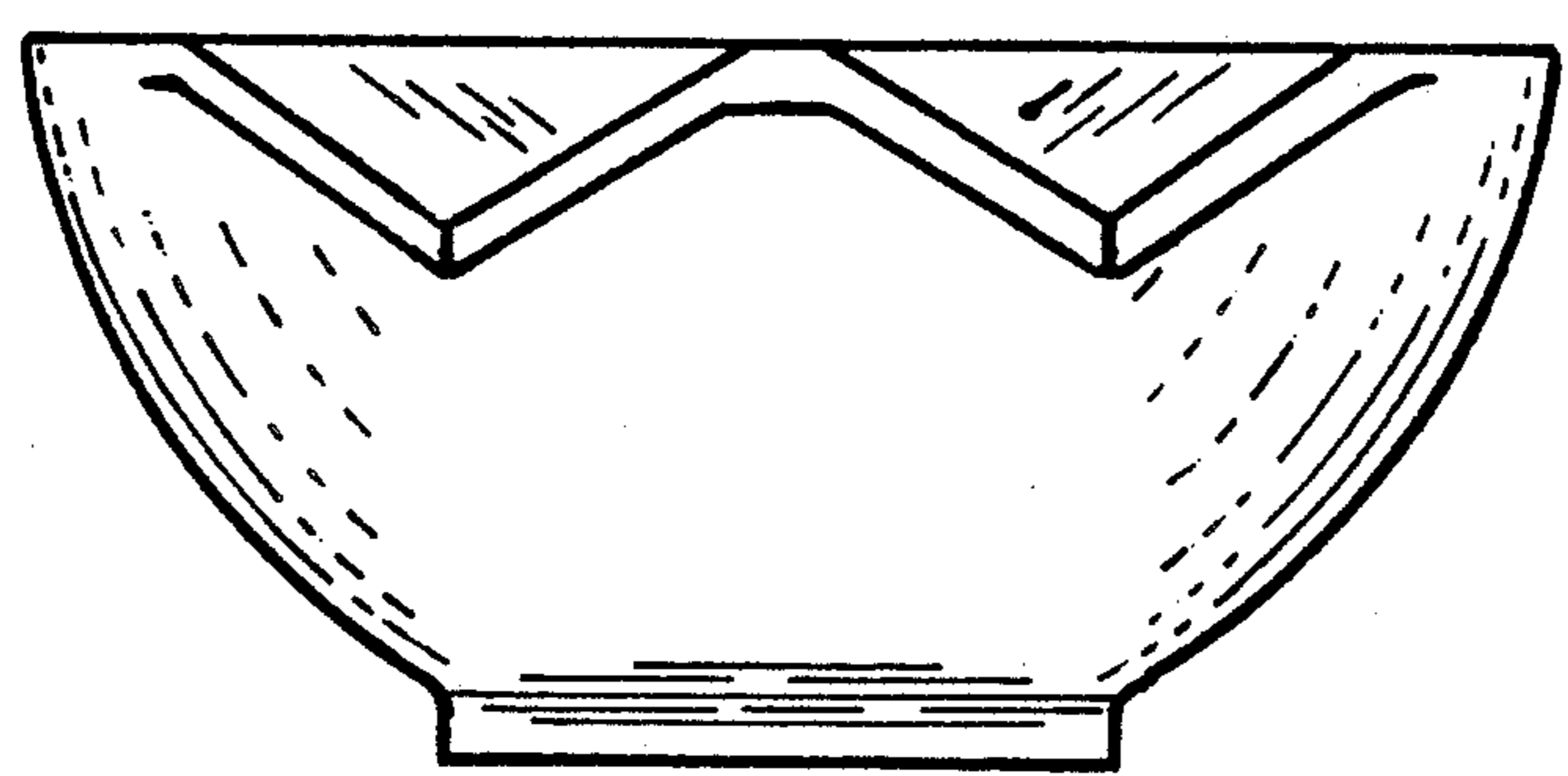
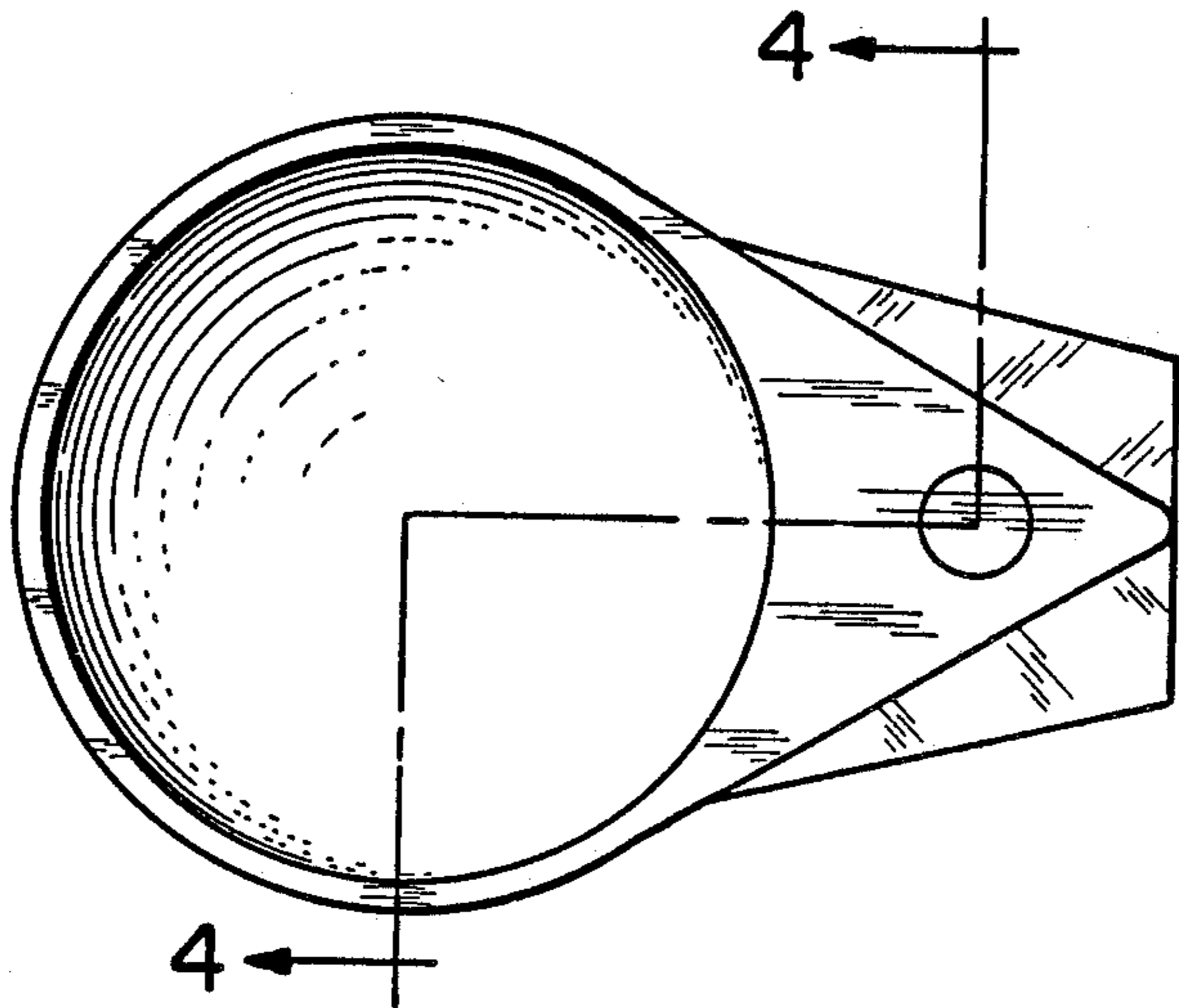
Primary Examiner—Bernard Ansher
Assistant Examiner—Terry A. Pfeffer
Attorney, Agent, or Firm—Burton R. Turner

[57] CLAIM

The ornamental design for a measuring cup, as shown and described.

DESCRIPTION

FIG. 1 is a top plan view of a measuring cup showing my new design;
FIG. 2 is a side elevational view thereof;
FIG. 3 is a bottom plan view thereof;
FIG. 4 is a sectional view taken along line 4—4 of FIG. 1; and
FIG. 5 is an end elevational view thereof.



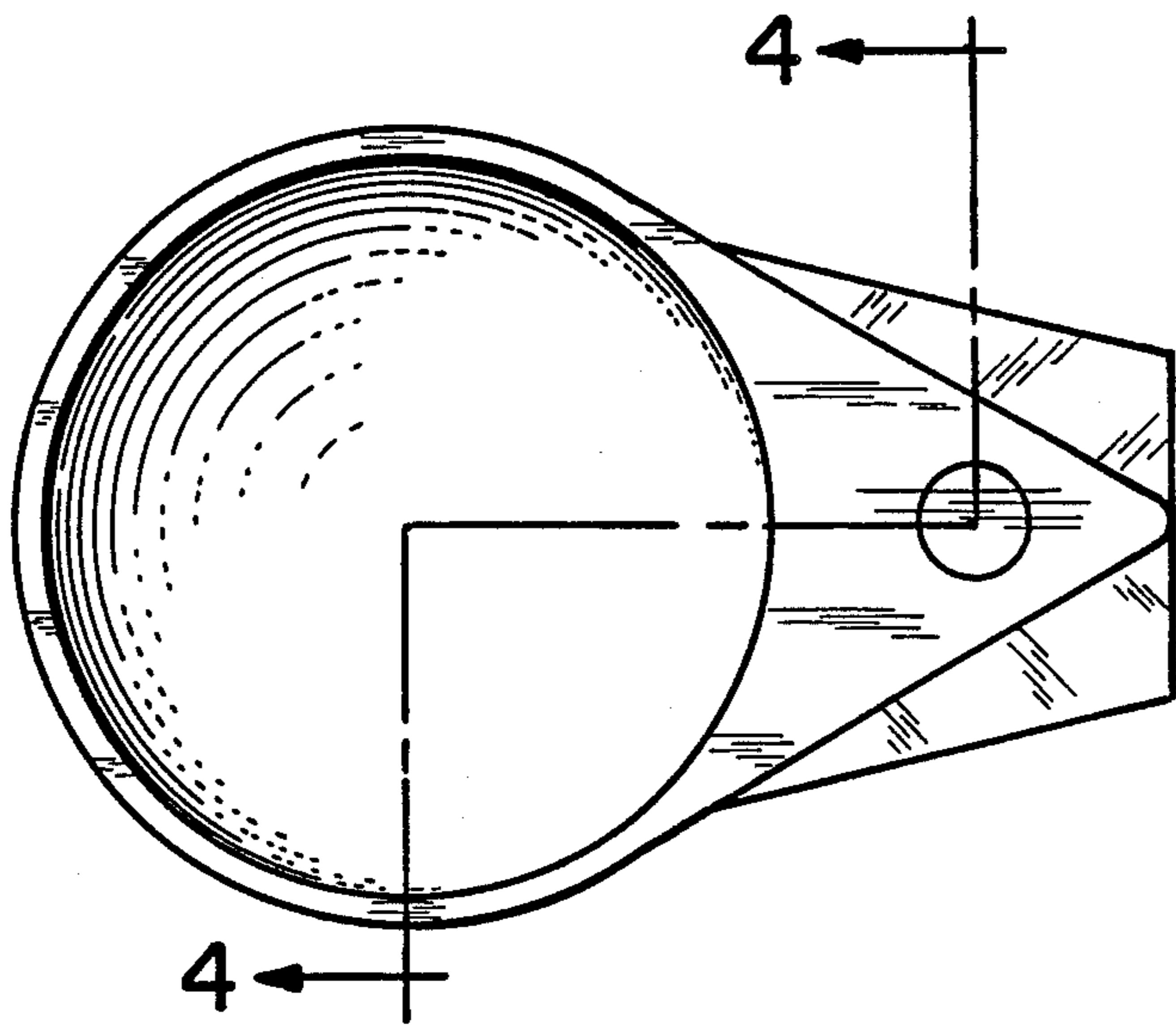


Fig. 1

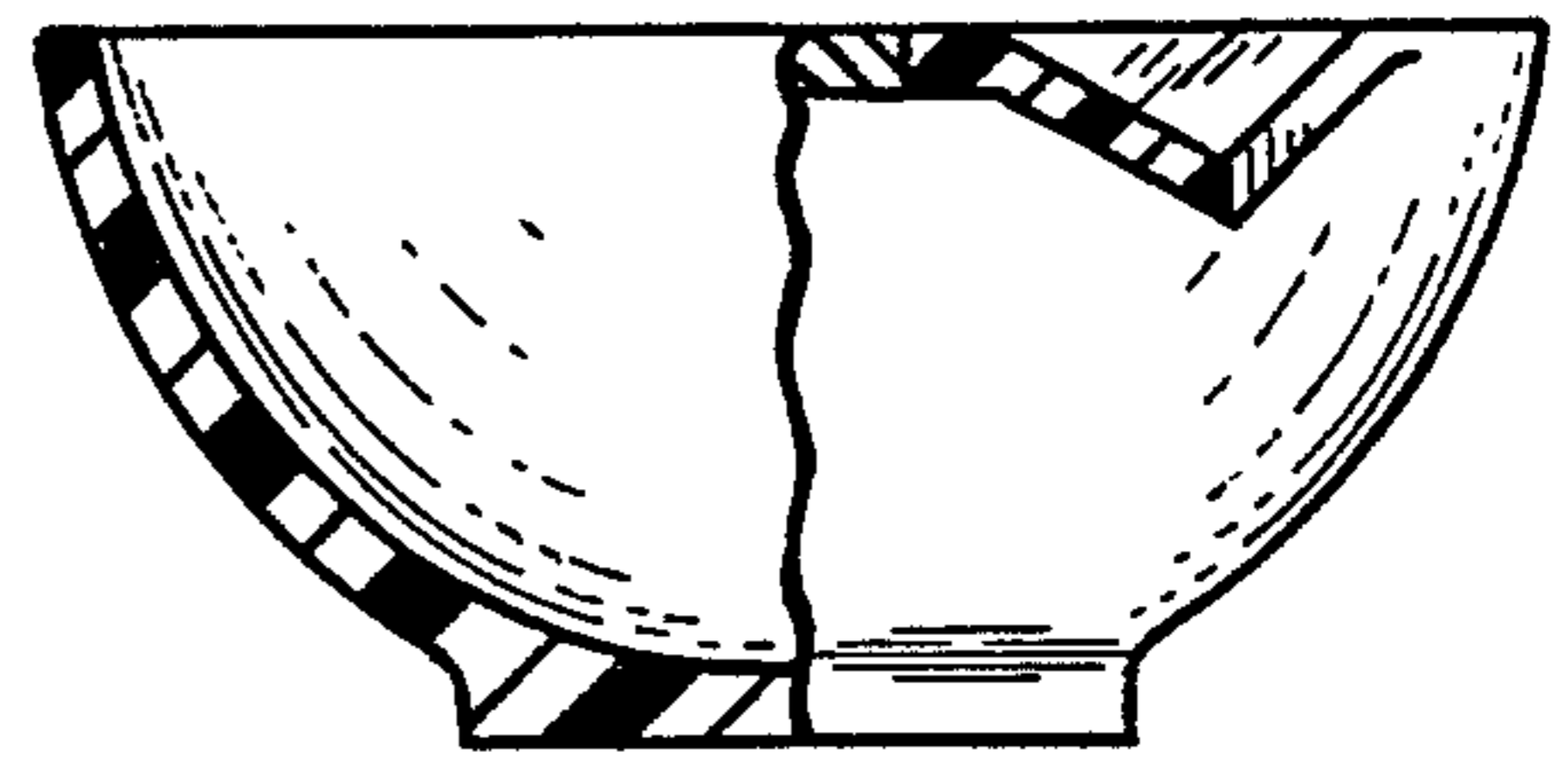


Fig. 4

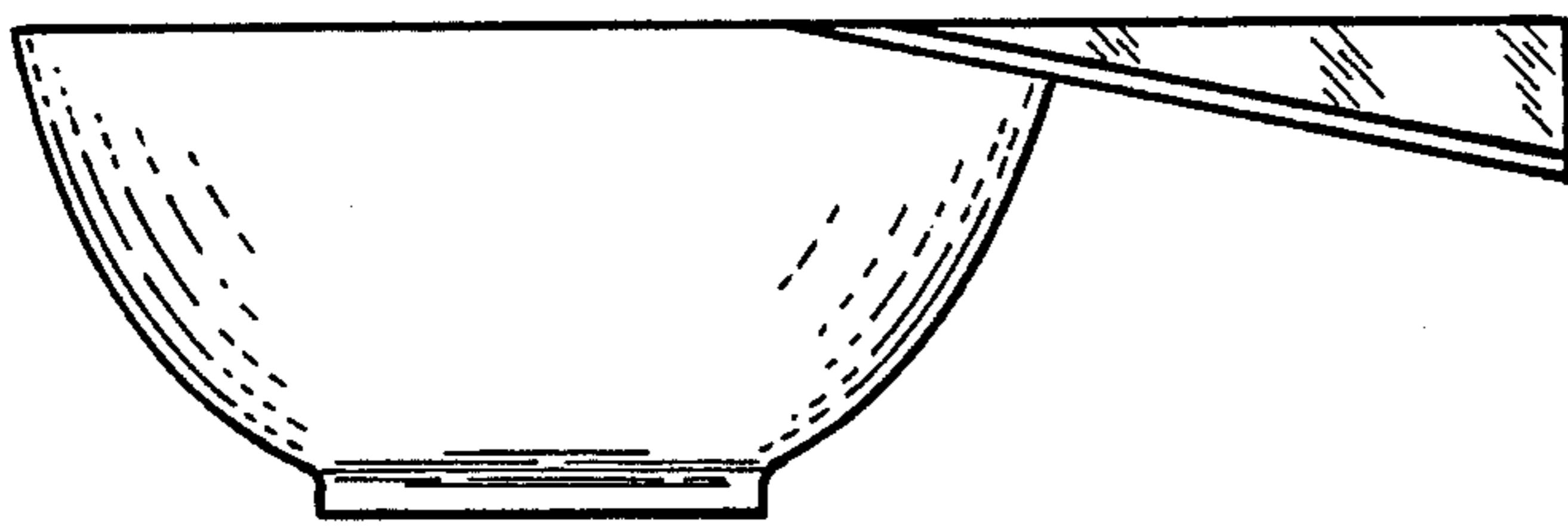


Fig. 2

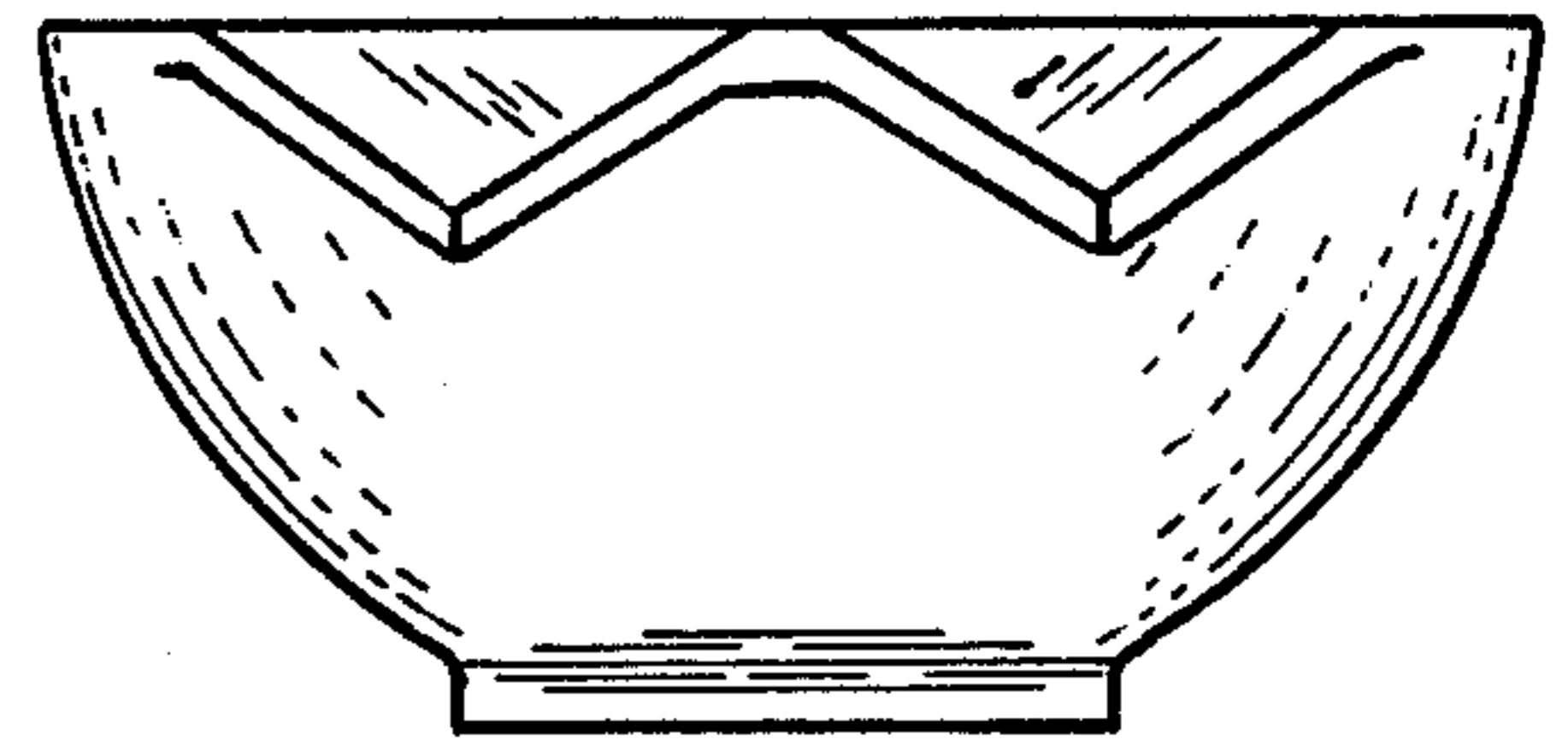


Fig. 5

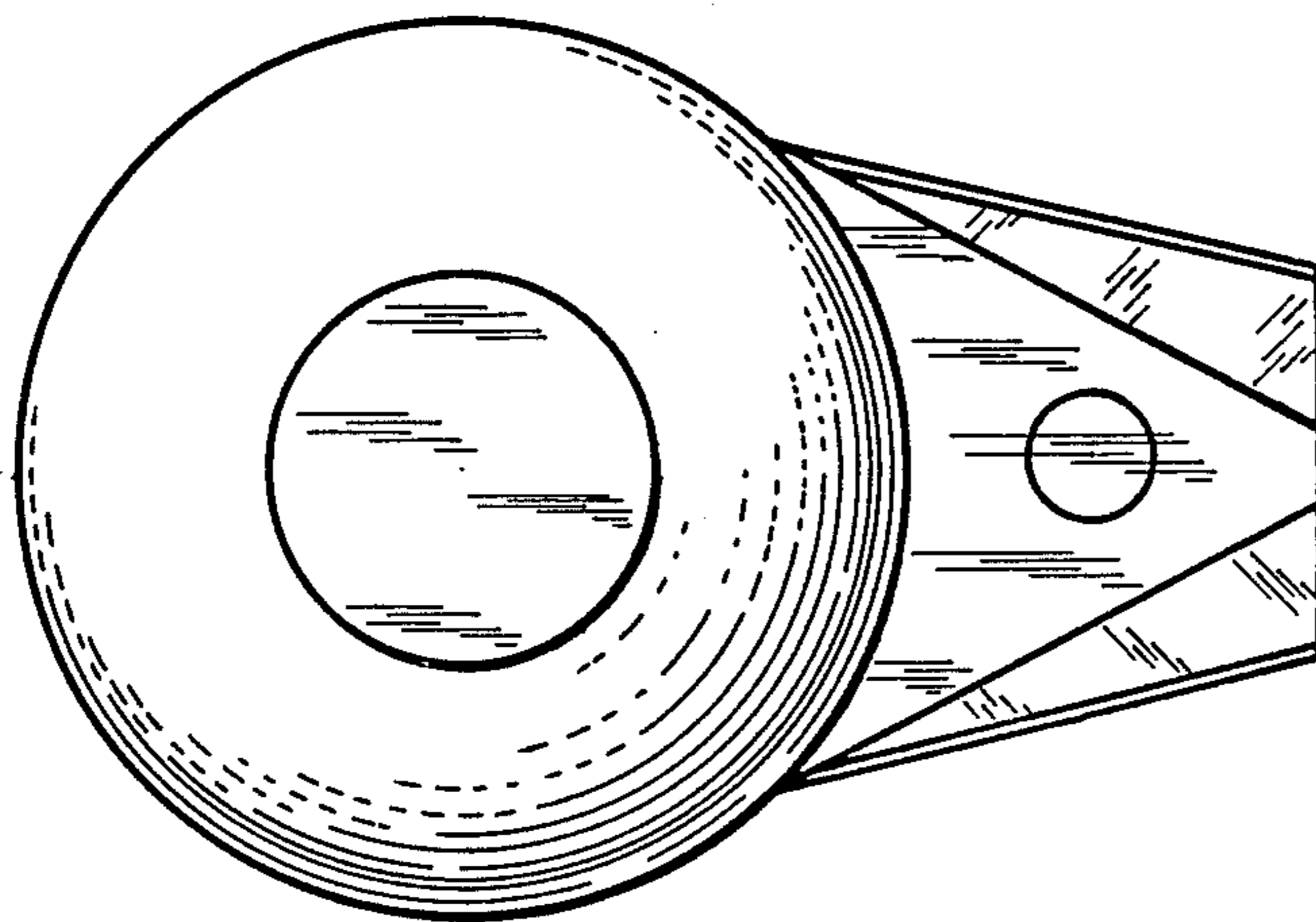


Fig. 3