

United States Patent [19]

Albert et al.

[11] Patent Number: **Des. 303,053**

[45] Date of Patent: **** Aug. 29, 1989**

[54] **FISHING ROD HOLDER**

[76] Inventors: **Dennis L. Albert**, 28172 Rebicon Ct., Laguna Niguel, Calif. 92656; **Max Limon**, 4505 Cathan St., Torrance, Calif. 90503

[**] Term: **14 Years**

[21] Appl. No.: **44,136**

[22] Filed: **Apr. 30, 1987**

[52] U.S. Cl. **D6/552**

[58] Field of Search **D6/552-553, D6/449; 211/13, 60.1, 62-63, 68, 70.8**

[56] **References Cited**

U.S. PATENT DOCUMENTS

- D. 248,809 8/1978 Kailey D6/552
- D. 261,698 11/1981 Humble D6/553 X

D. 264,277 5/1982 Poelvoorde et al. D6/449 X

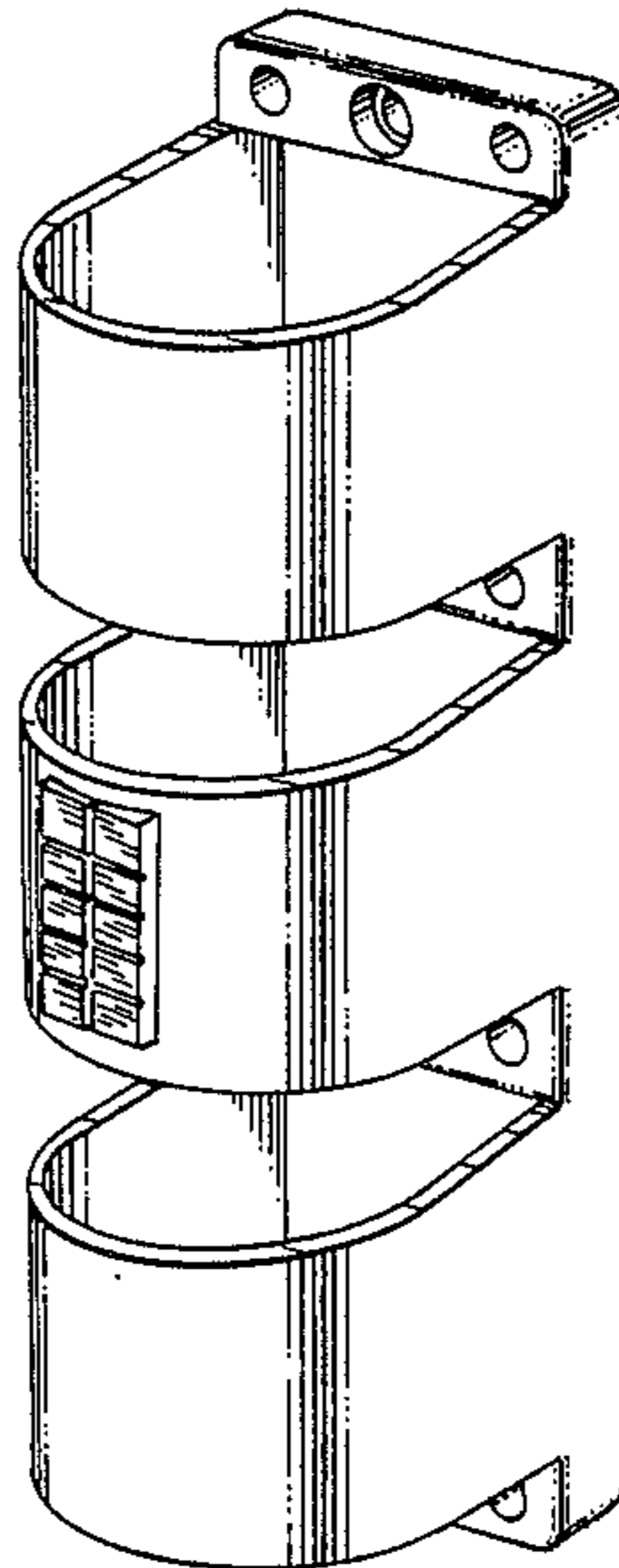
Primary Examiner—Wallace R. Burke
Assistant Examiner—Brian N. Vinson
Attorney, Agent, or Firm—Blakely, Sokoloff, Taylor & Zafman

[57] **CLAIM**

The ornamental design for a fishing rod holder, as shown.

DESCRIPTION

FIG. 1 is a perspective view of a fishing rod holder showing my new design;
FIG. 2 is a top plan view thereof;
FIG. 3 is a front elevational view thereof;
FIG. 4 is a right side elevational view thereof;
FIG. 5 is a left side elevational view thereof;
FIG. 6 is a rear elevational view thereof; and
FIG. 7 is a bottom plan view thereof.



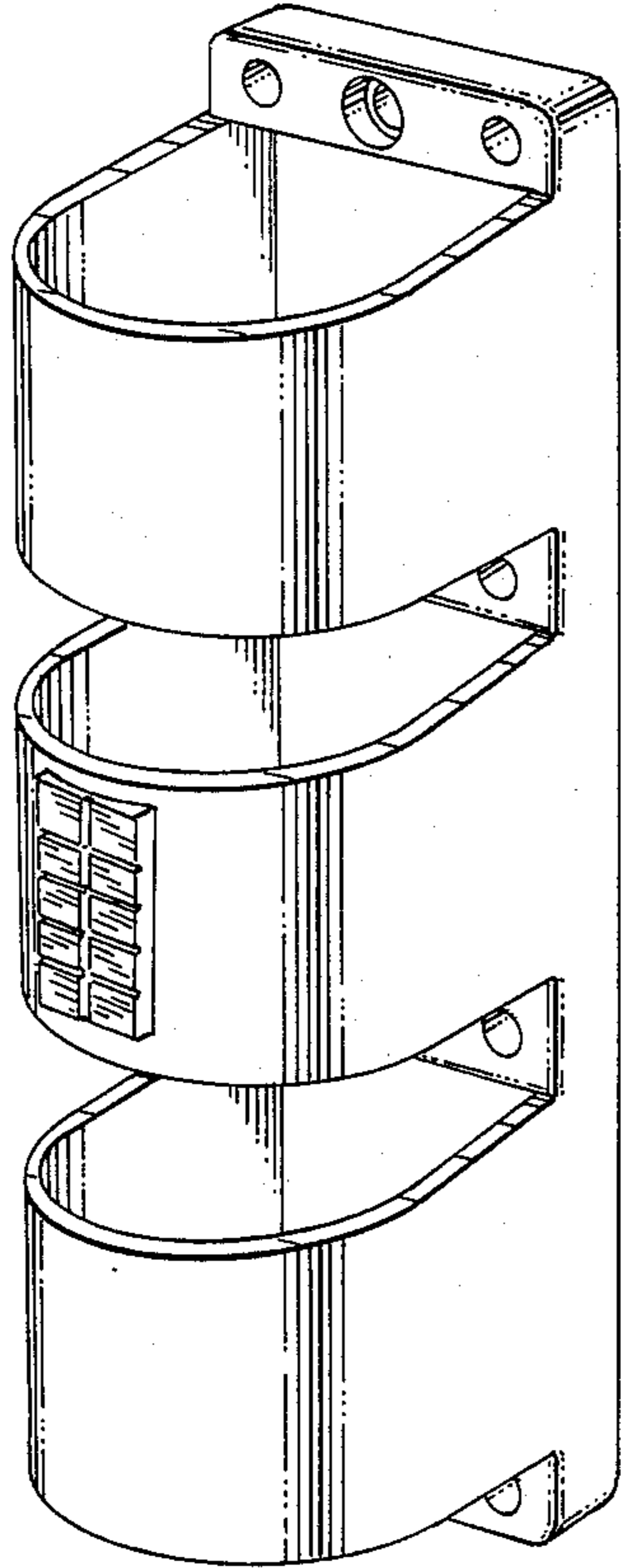


Fig. 1

Fig. 2

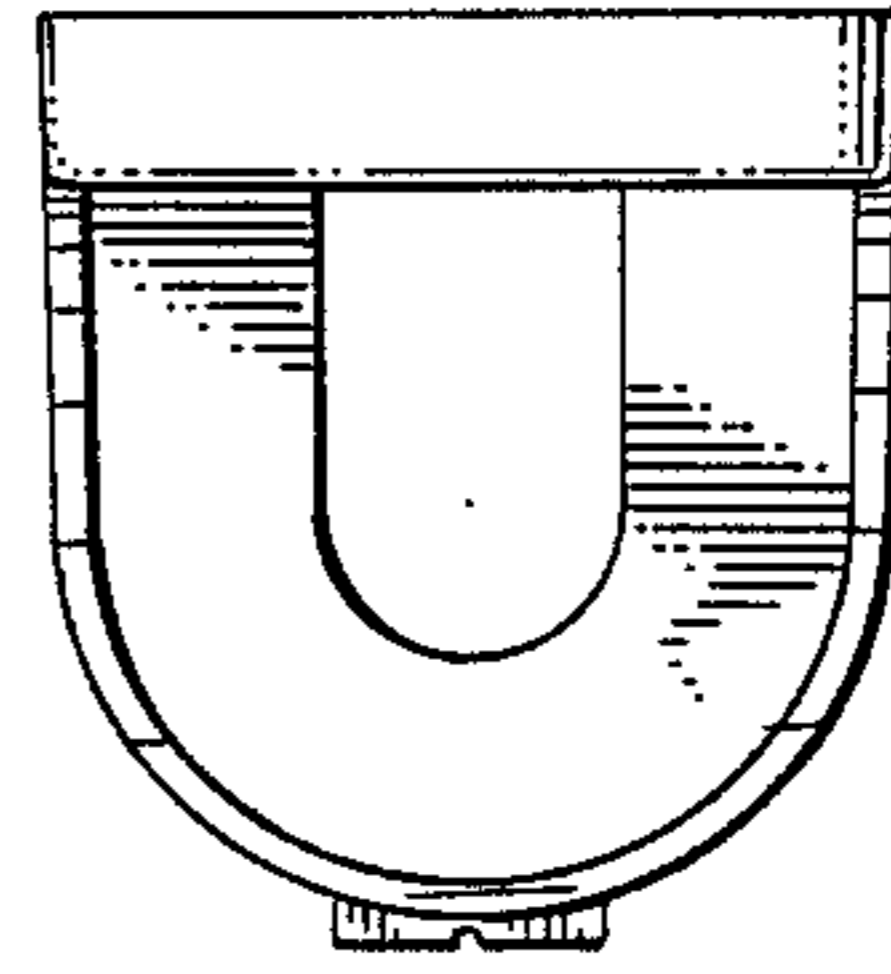


Fig. 3

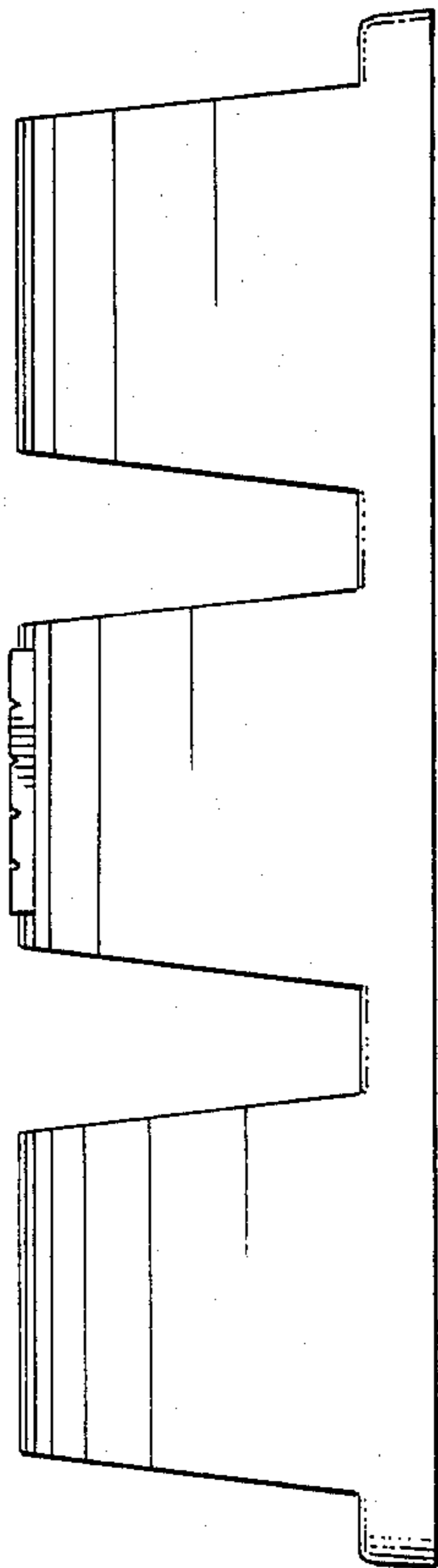
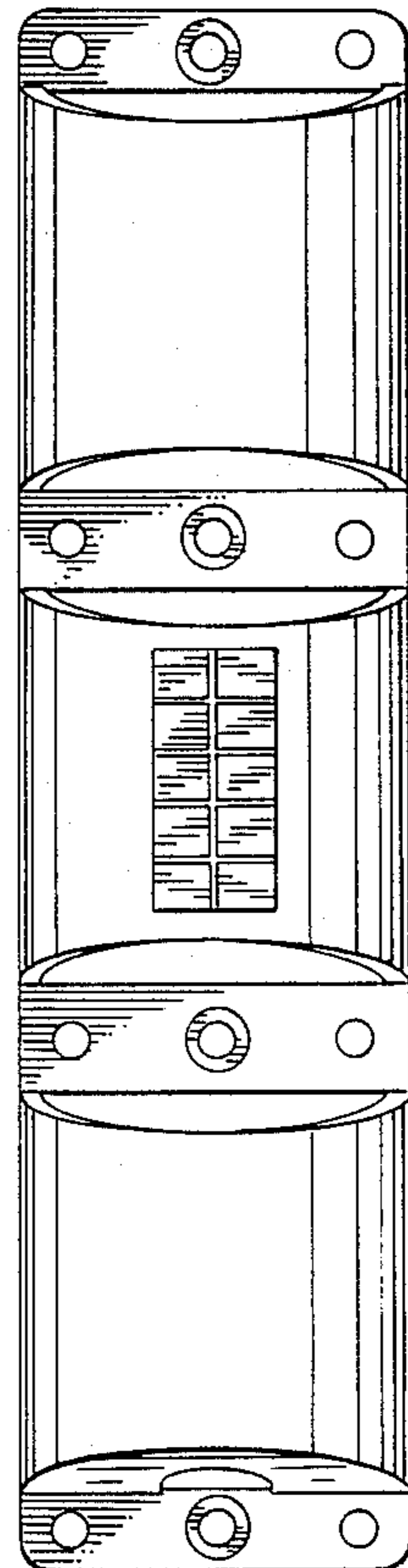


Fig. 4



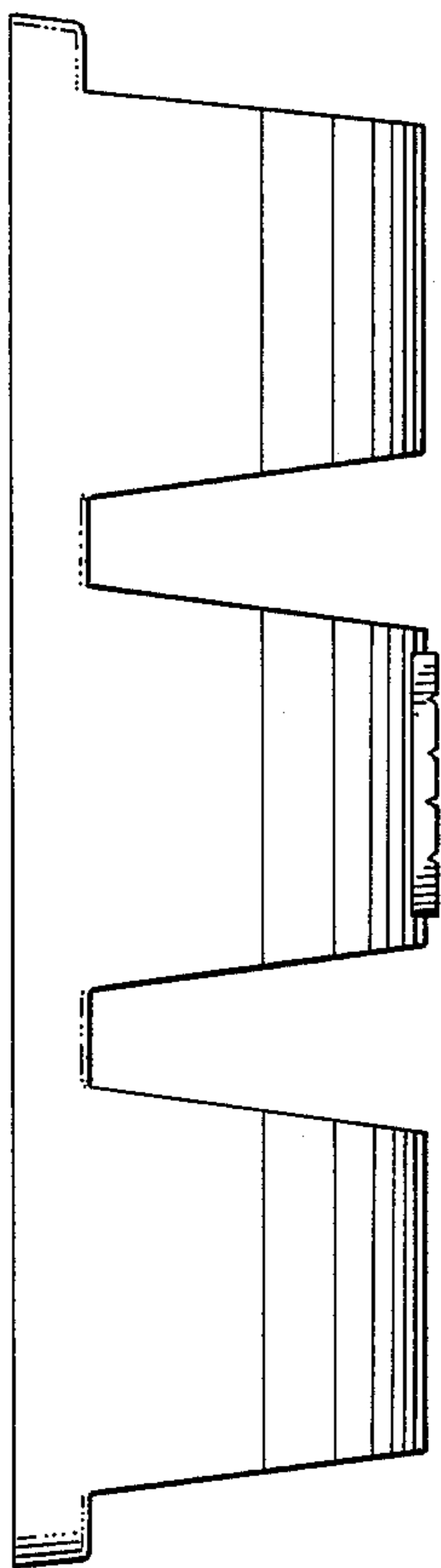


Fig. 5

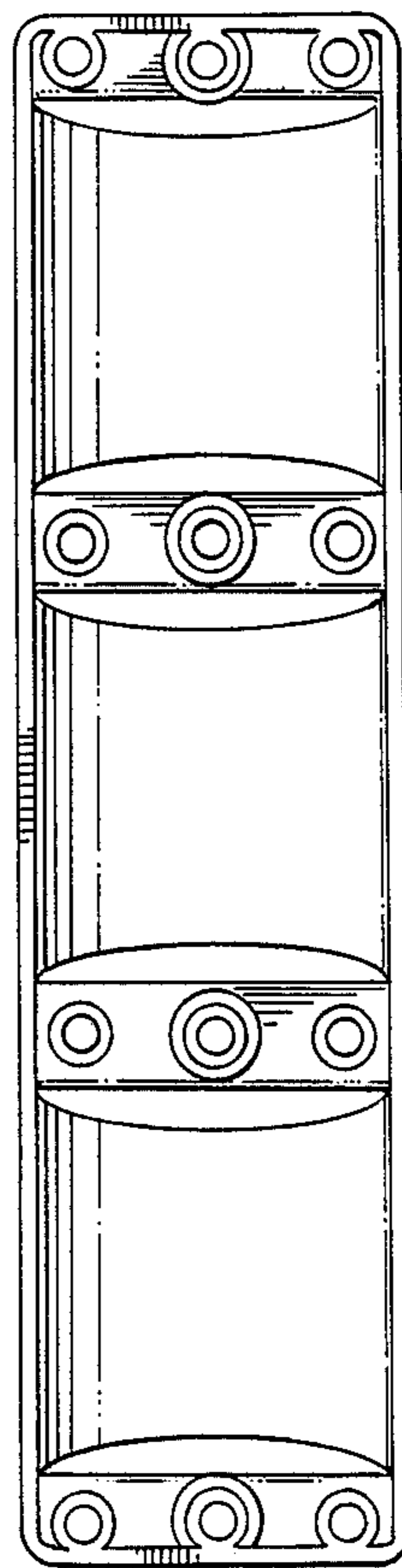


Fig. 6

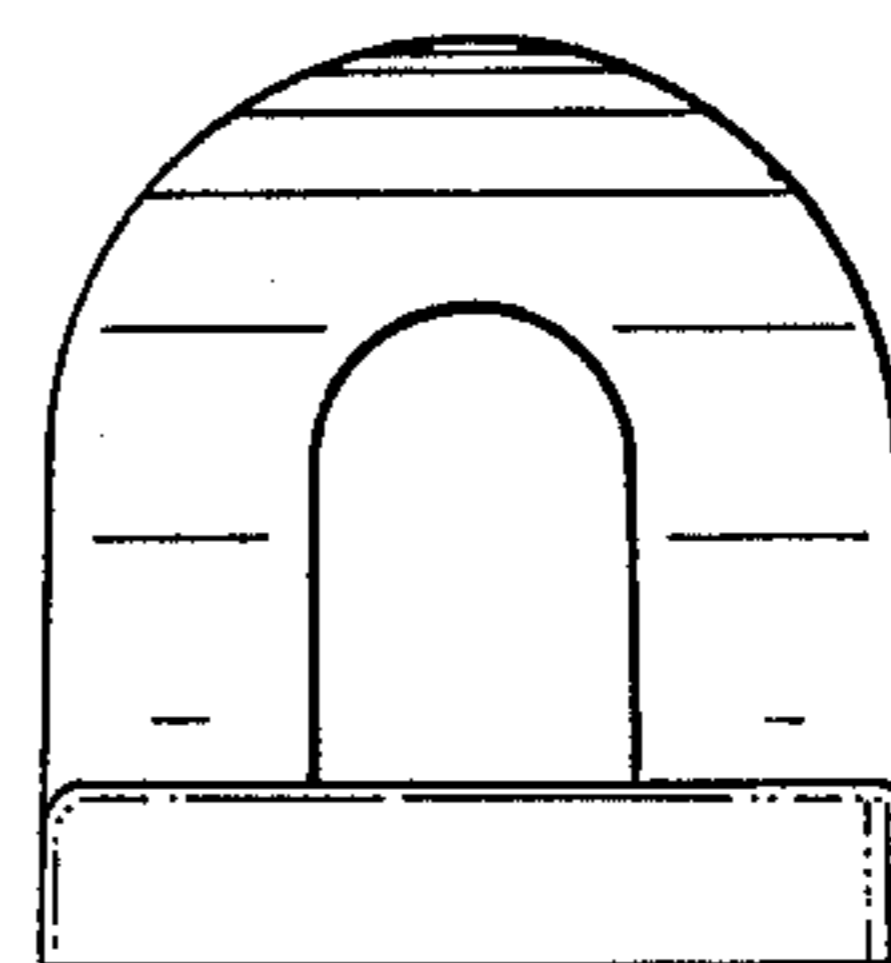


Fig. 7