

[54] TABLE

[75] Inventor: Leon Rosen, Scarsdale, N.Y.

[73] Assignee: The Pace Collection, Inc., Long Island City, N.Y.

[**] Term: 14 Years

[21] Appl. No.: 930,856

[22] Filed: Nov. 13, 1986

[52] U.S. Cl. D6/480; D6/485; D6/486

[58] Field of Search D6/482, 484, 486; 108/161

[56] References Cited

U.S. PATENT DOCUMENTS

D. 113,215	2/1939	Birkmeyer	D6/480
D. 270,691	9/1983	Tonucci	D6/480
D. 293,862	1/1988	Hubert	D6/430

OTHER PUBLICATIONS

Interiors, Apr. 1967, p. 87, Table lower right.
Domus, Nov. 1975, p. 36, Table lower center left.

Primary Examiner—Bruce W. Dunkins
Assistant Examiner—Ann S. Hunt
Attorney, Agent, or Firm—Darby & Darby

[57] CLAIM

The ornamental design for a table, as shown and described.

DESCRIPTION

FIG. 1 is a perspective view of a table showing my new design;
FIG. 2 is a top plan view;
FIG. 3 is a side elevational view, the opposite side being a mirror image thereof;
FIG. 4 is an end elevational view, the opposite end being a mirror image thereof; and
FIG. 5 is a bottom plan view.

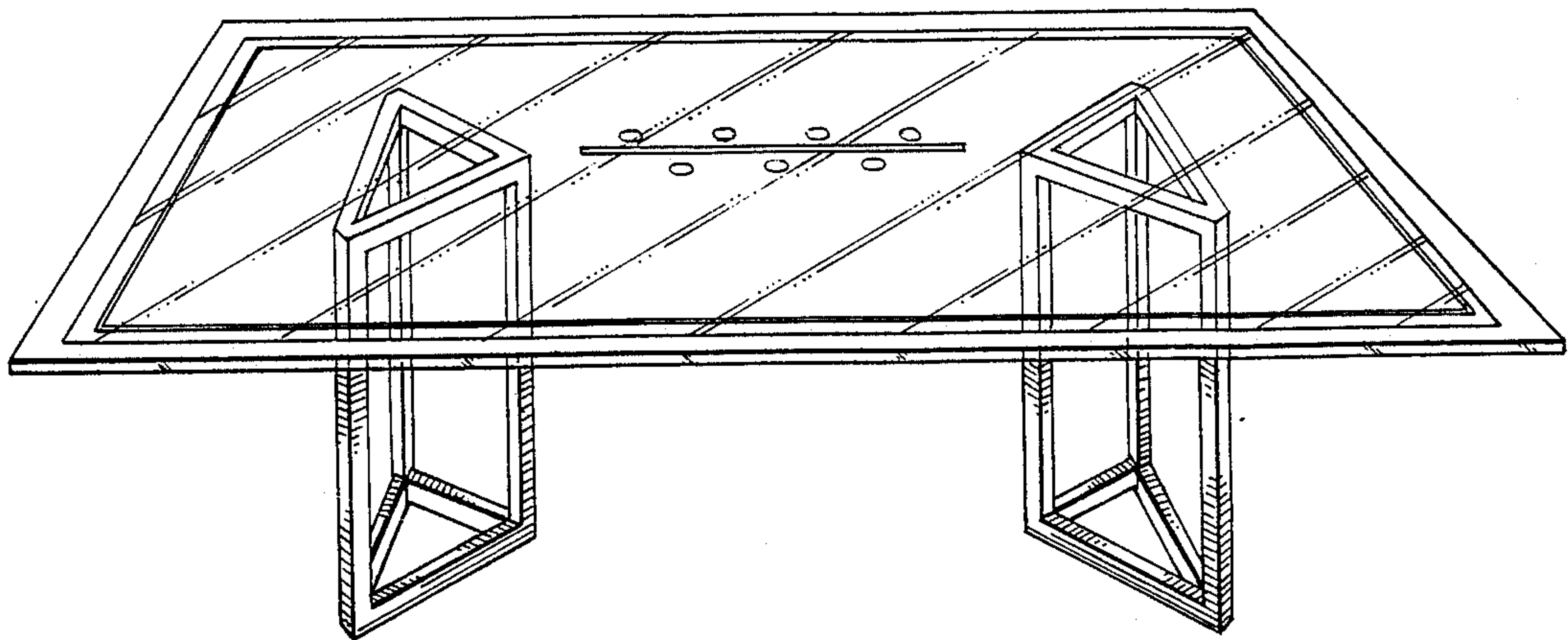


FIG. 1

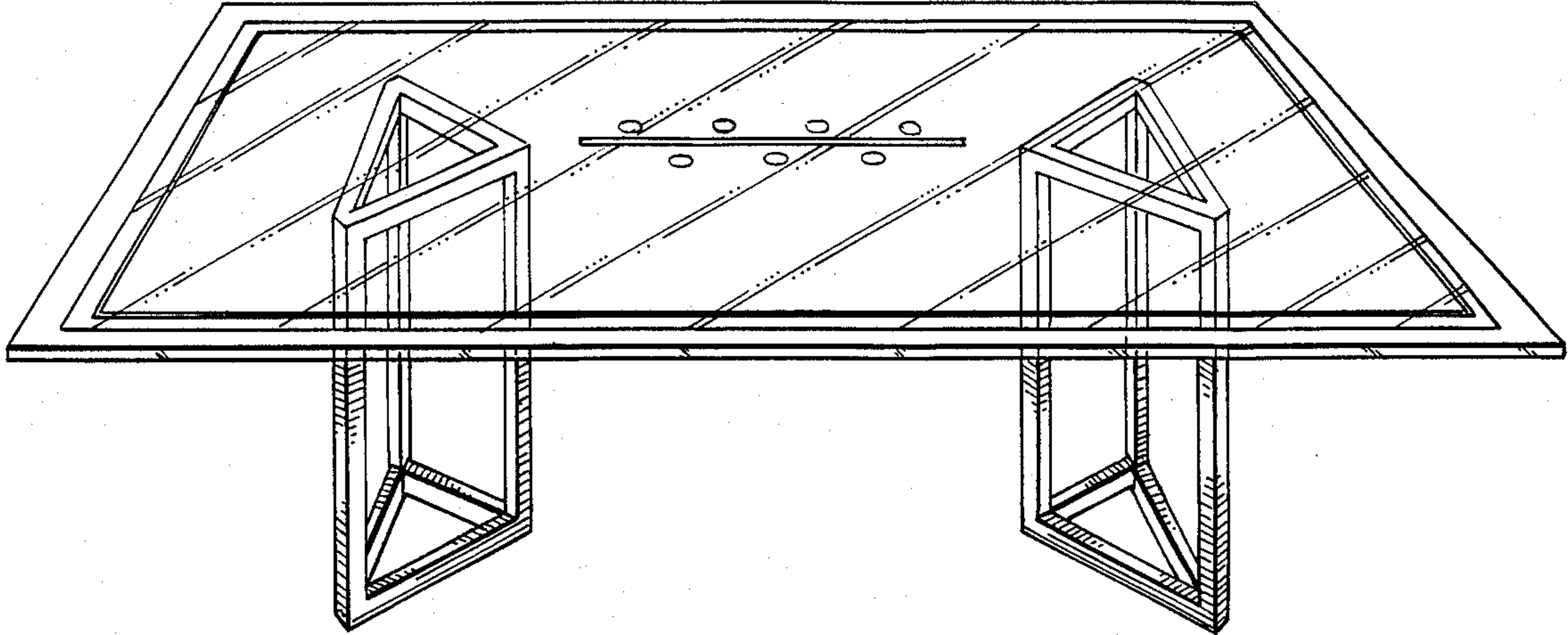


FIG. 2

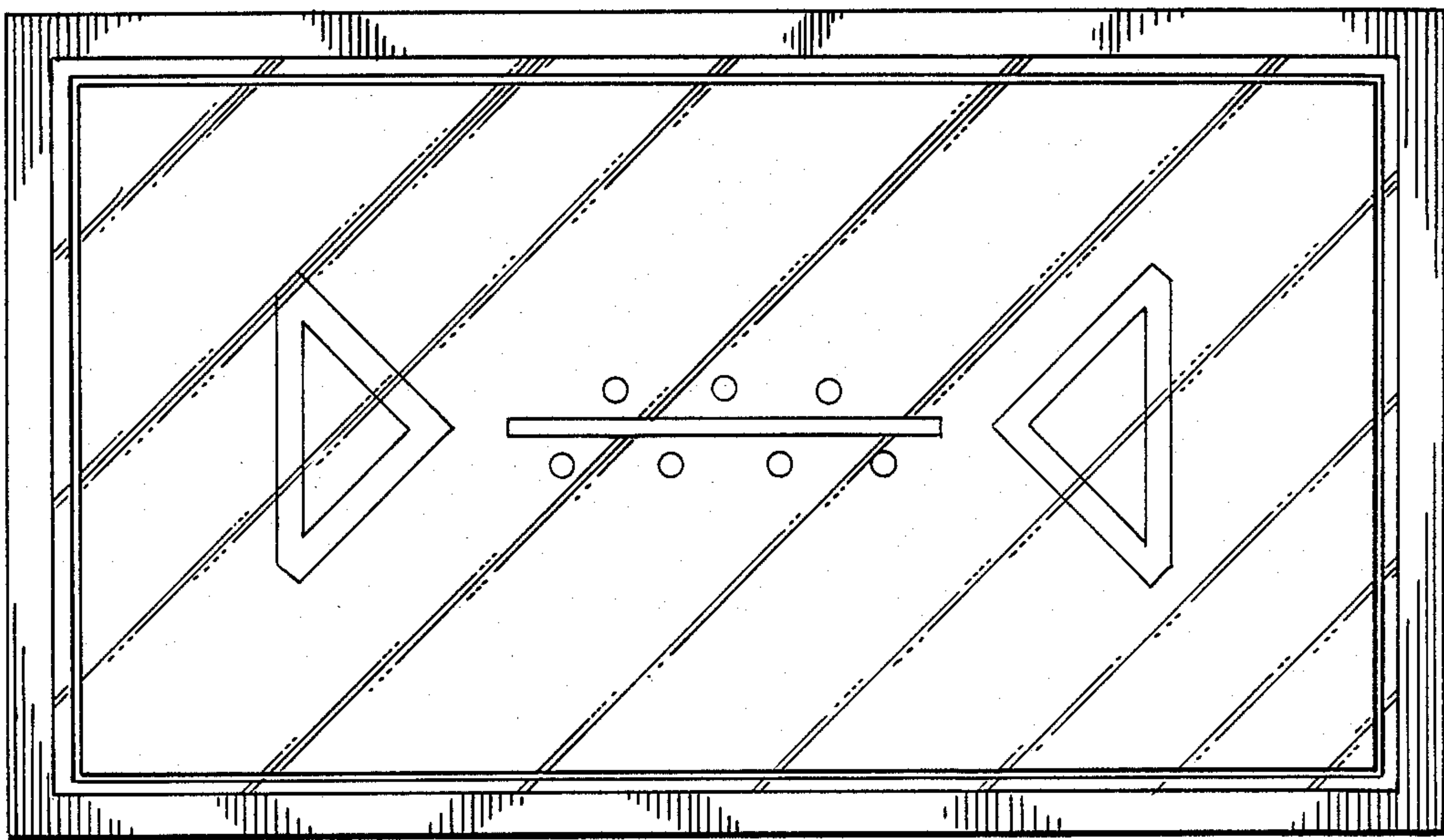


FIG. 3

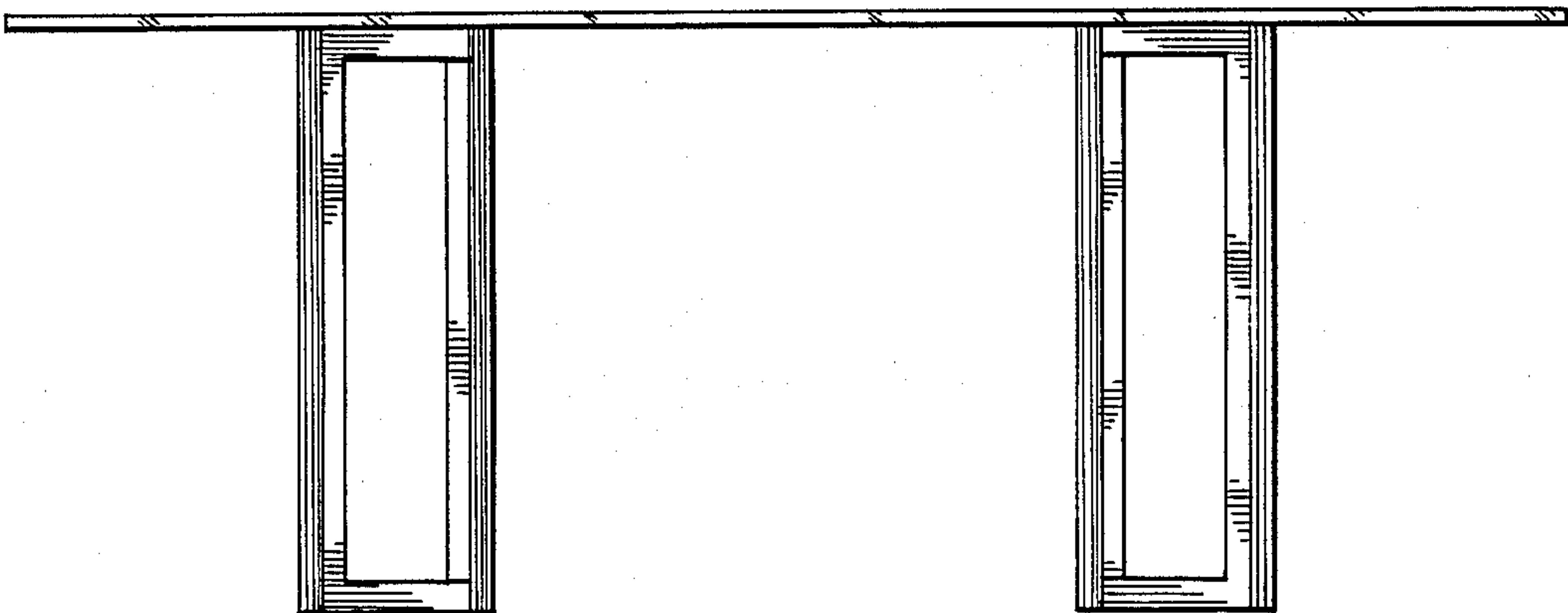


FIG. 4

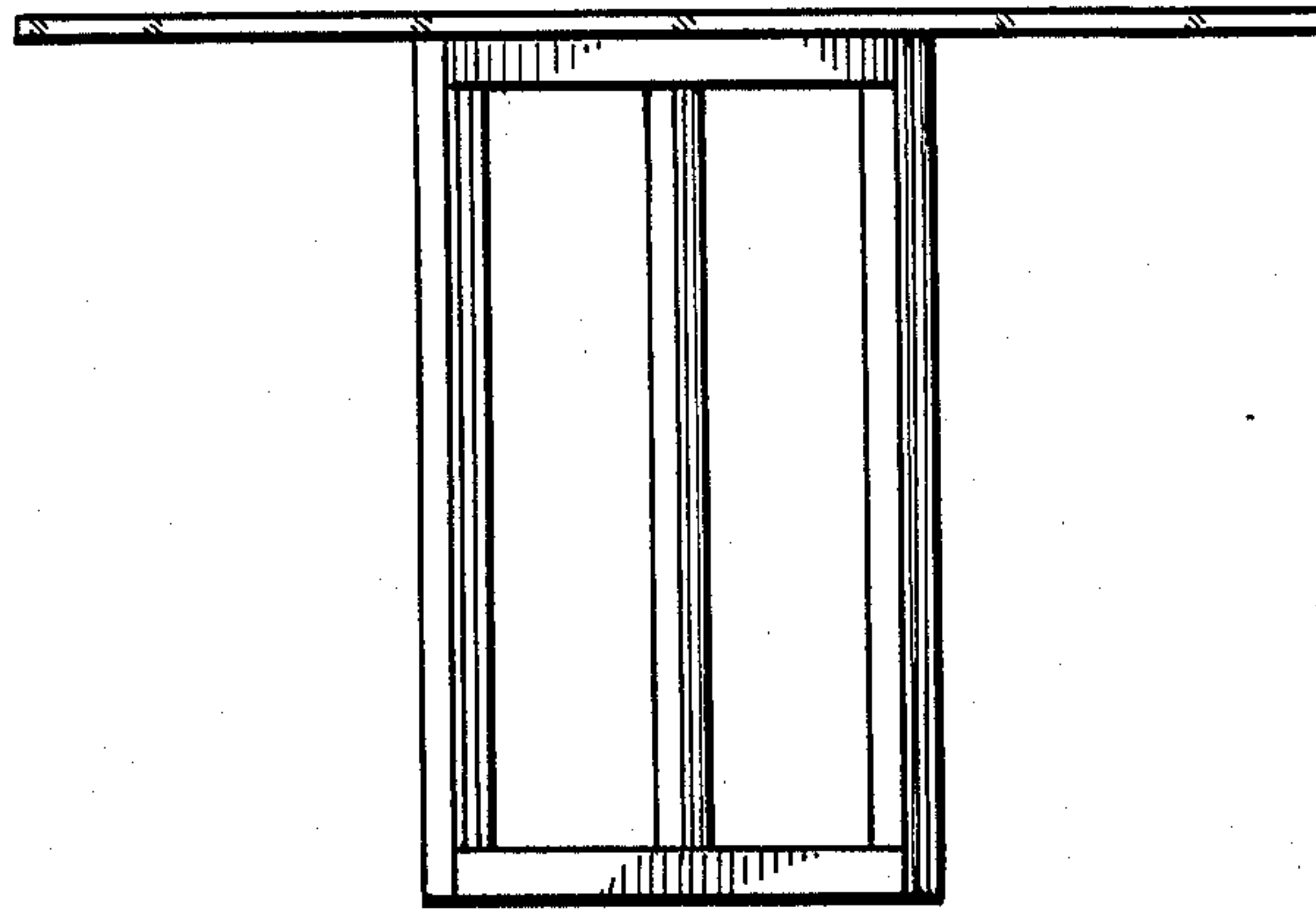


FIG. 5

