

[54] HOLDER FOR MEDICAL SUPPLIES OR THE LIKE TO BE MOUNTED ON THE HANDRAIL

[76] Inventor: Sarah Steed, 1815 Friendly Rd., Goldsboro, N.C. 27530

[**] Term: 14 Years

[21] Appl. No.: 775,839

[22] Filed: Sep. 13, 1985

[52] U.S. Cl. D6/475; D24/31

[58] Field of Search D6/449, 475; D7/70, D7/72, 73, 75; 211/13, 88, 126; D24/31

[56] References Cited

U.S. PATENT DOCUMENTS

D. 51,104	7/1917	Stalder	D7/75
D. 129,718	9/1941	West	D6/470
D. 242,654	12/1976	Rawls	D24/31
D. 293,820	1/1988	Guth et al.	D24/31
4,270,660	6/1981	Putt	D7/72 X

OTHER PUBLICATIONS

"Sparkling Crystalex", by Hoffmaster Products-Flyer, 8-9-79; Transparent Organizer on page.

Karmel Plastics, 8/31/81, p. 13; Item #931, center of page.

"The Plastic Showcase" Flyer, 11/1984, p. 2; Buffet Caddy, #1043-000, top left on page.

Primary Examiner—Carmen H. Vales

Attorney, Agent, or Firm—Rhodes, Coats & Bennett

[57] CLAIM

The ornamental design for a holder for medical supplies or the like to be mounted on the handrail, as shown and described.

DESCRIPTION

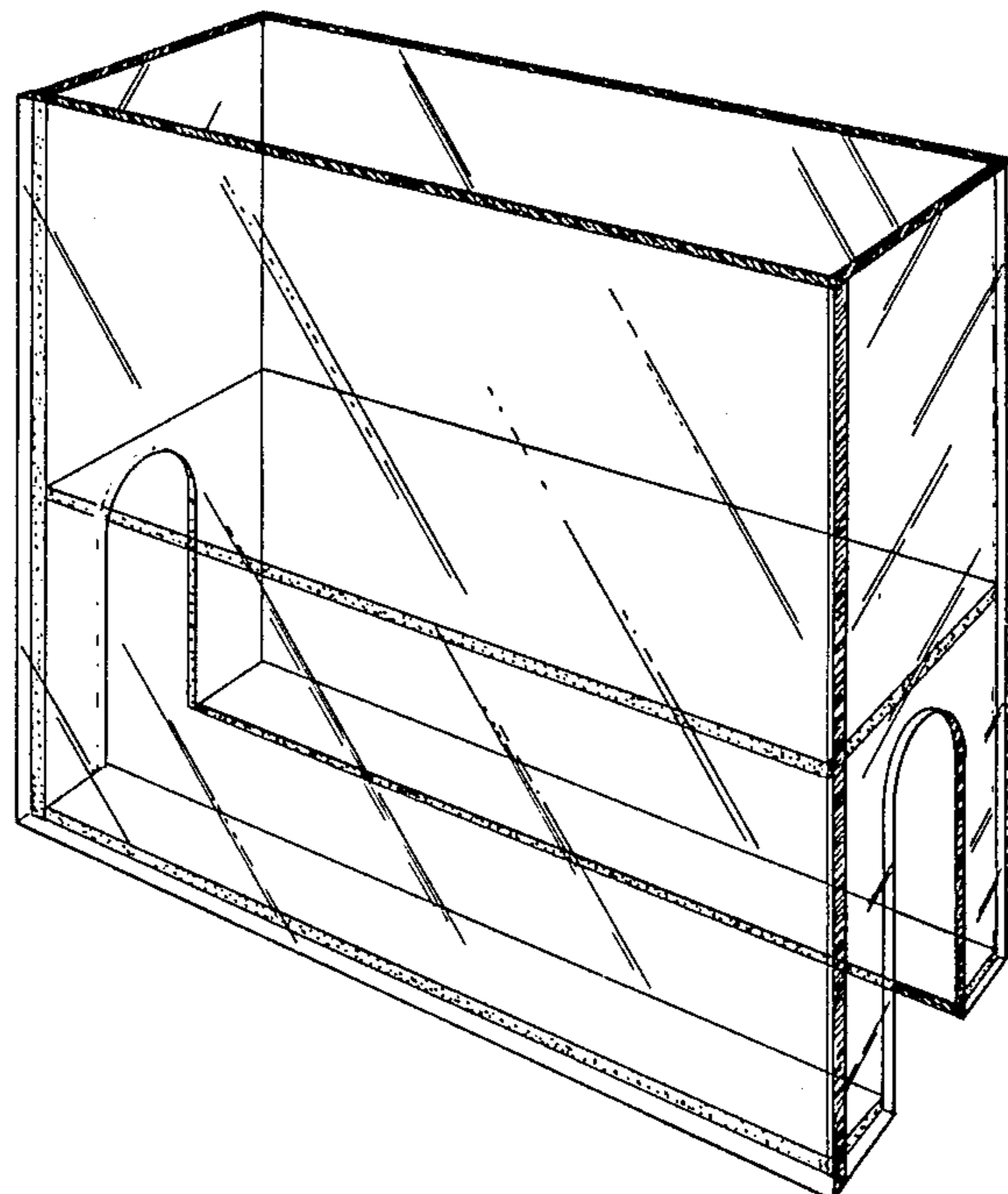
FIG. 1 is a top perspective view of the holder for medical supplies or the like to be mounted on the handrail showing my design;

FIG. 2 is a top plan view thereof;

FIG. 3 is a front elevational view, the rear view being identical thereto;

FIG. 4 is a side elevational view, the opposite side being identical thereto; and

FIG. 5 is a bottom plan view thereof.



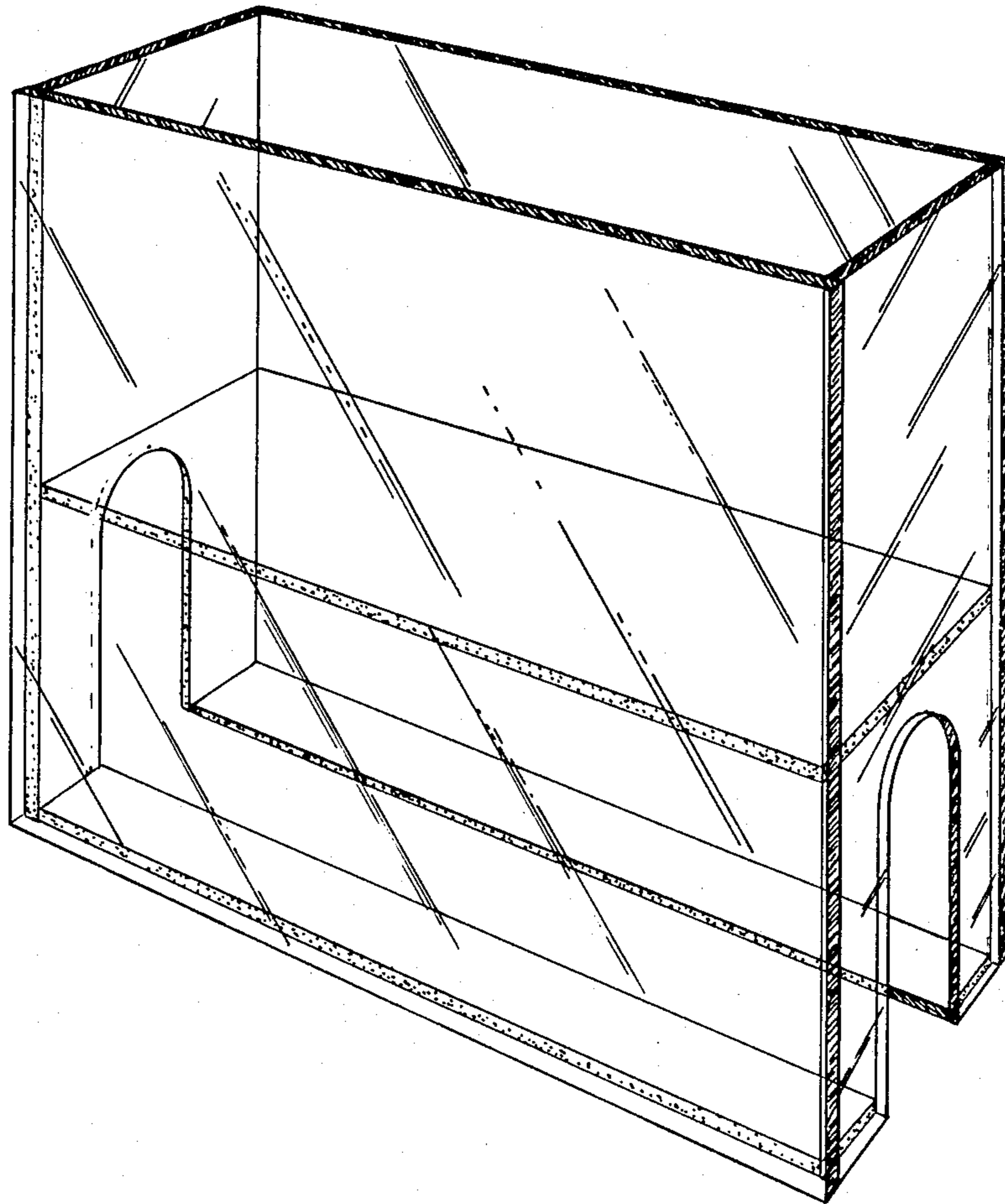


Fig. 1

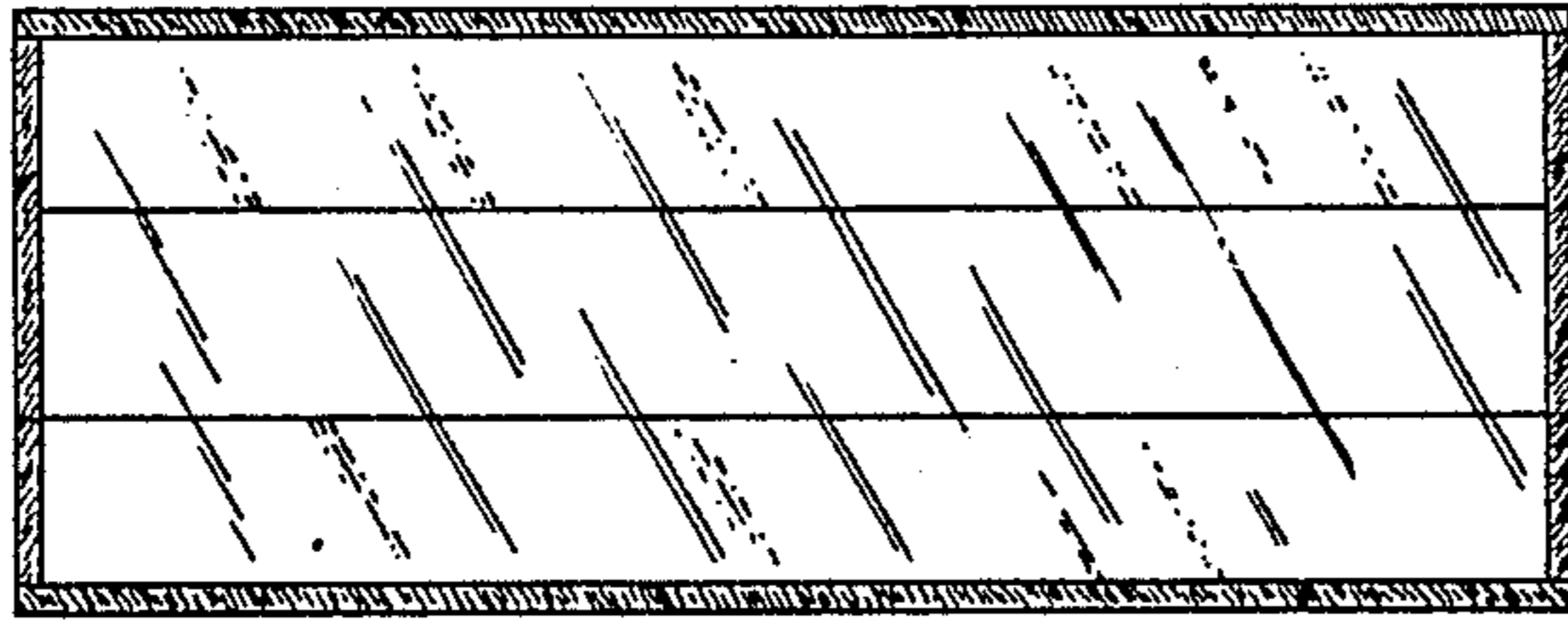


Fig. 2

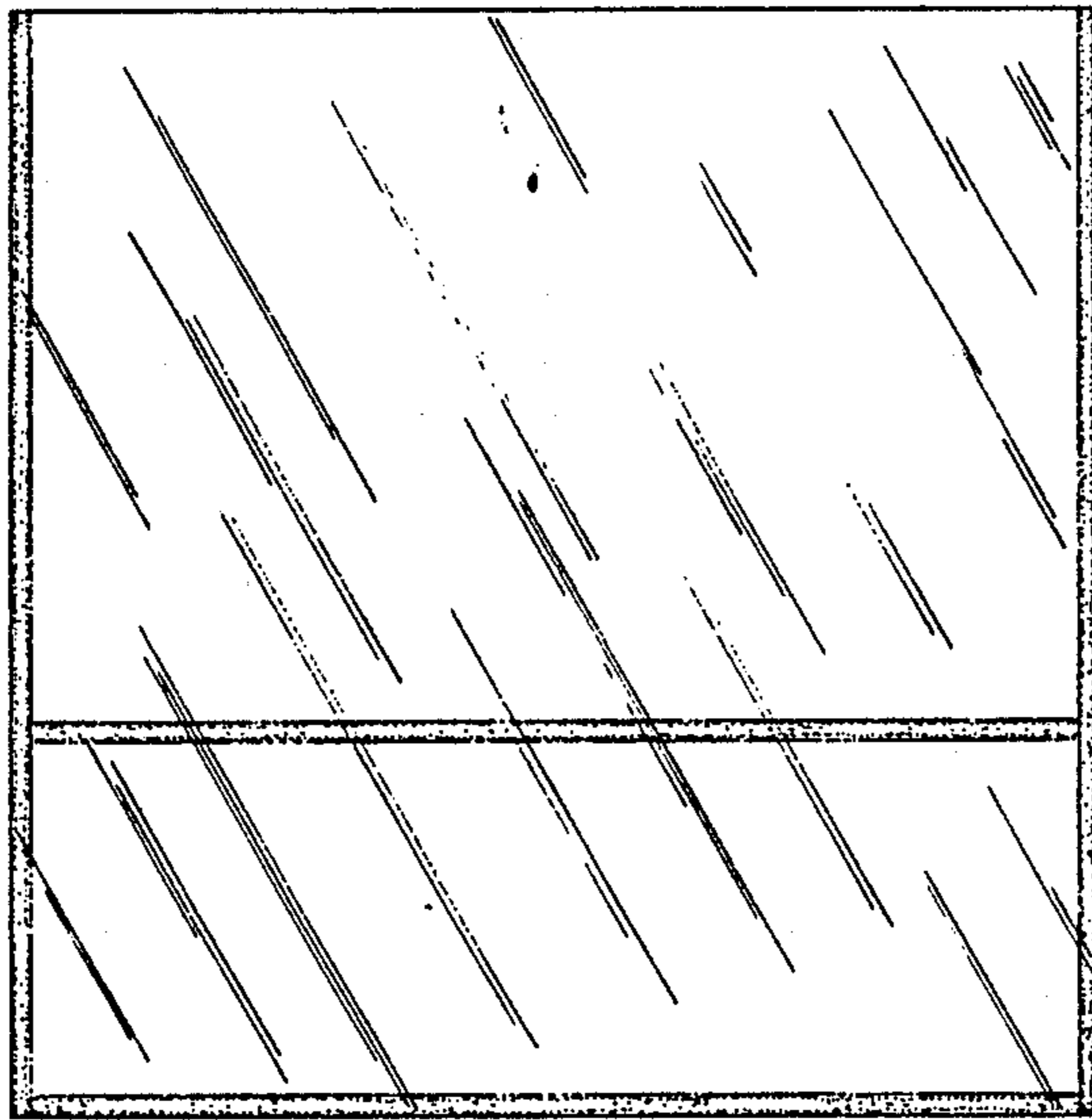


Fig. 3

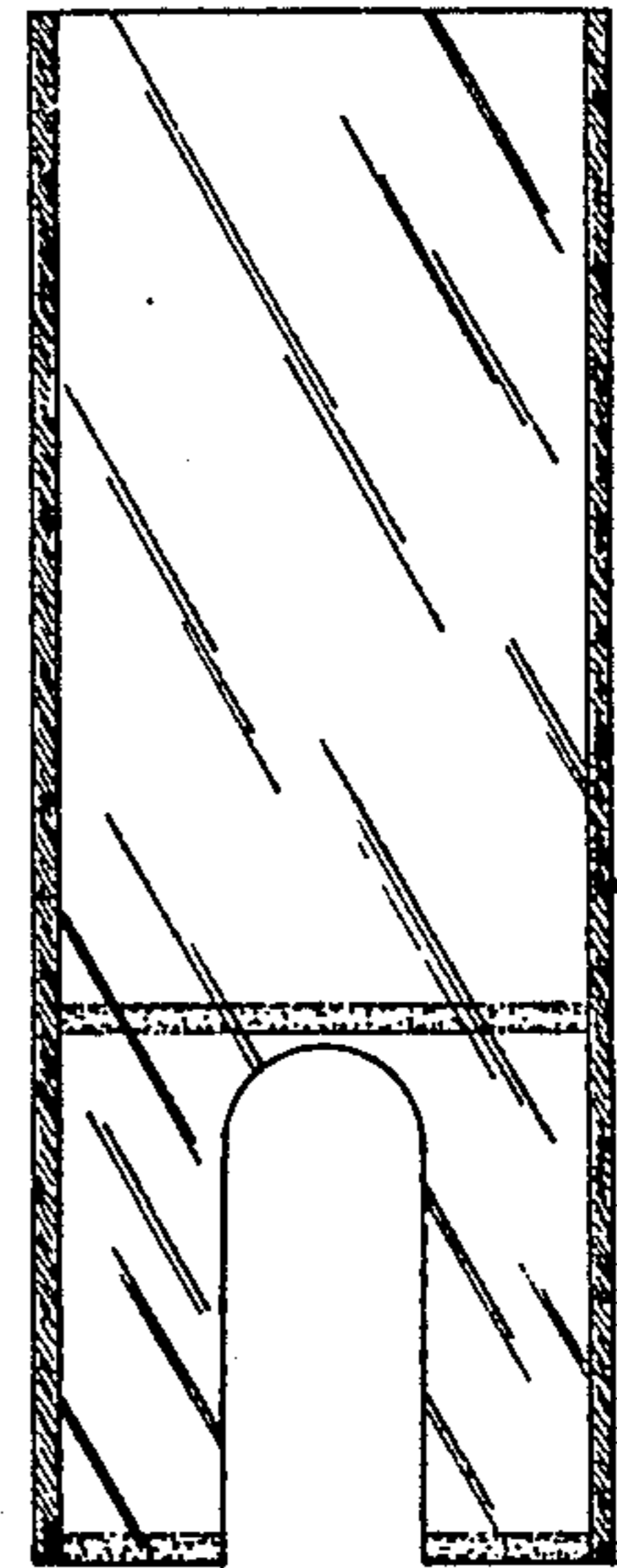


Fig. 4

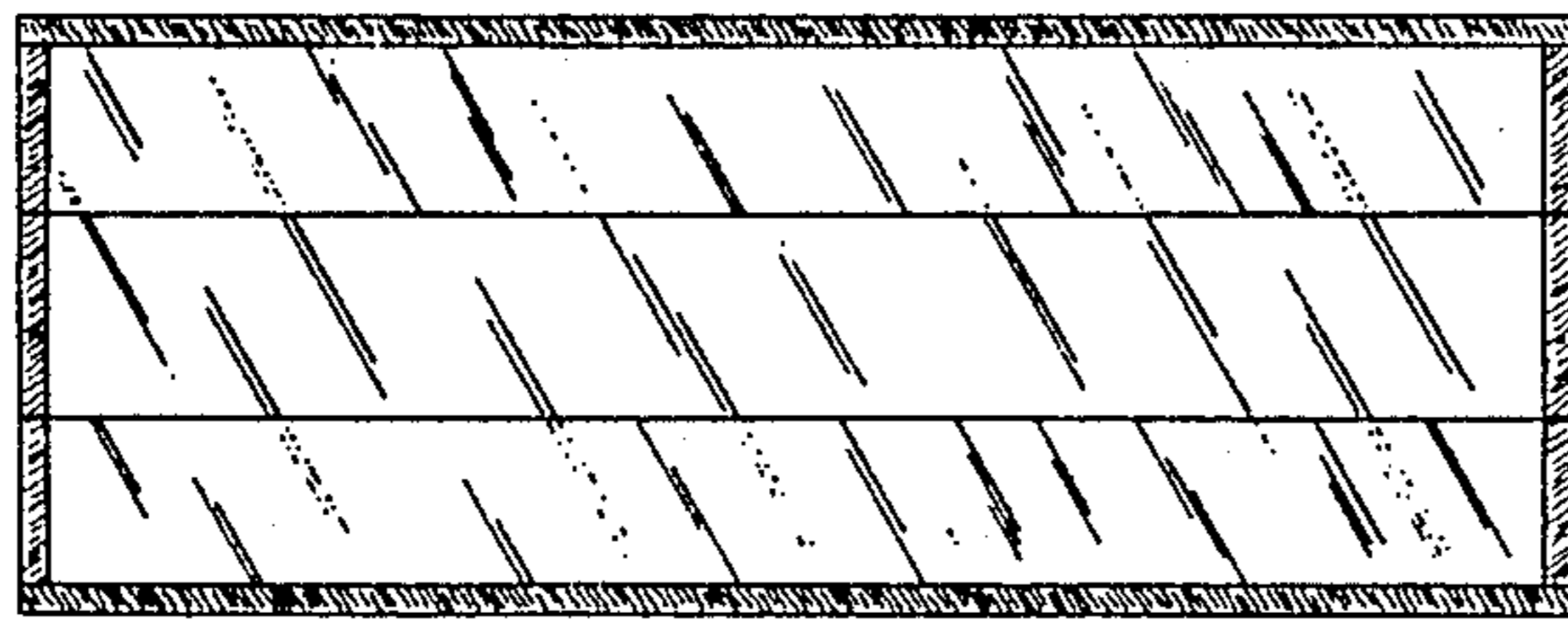


Fig. 5