

[54] DISPLAY MOUNT FOR AN UNDERARM PORTFOLIO

[75] Inventor: Meredith Spence, Jr., Dayton, Ohio

[73] Assignee: The Mead Corporation, Dayton, Ohio

[\*\*] Term: 14 Years

[21] Appl. No.: 875,789

[22] Filed: Jun. 18, 1986

[52] U.S. Cl. .... D6/449

[58] Field of Search ..... D19/75, 76, 20, 24, D19/88, 89, 90; D3/42, 43, 49, 50, 51, 52, 53, 54; 190/100, 122, 123, 900, 901, 902, 903; 150/107, 118, 119, 52 R, 52 B

[56] References Cited

U.S. PATENT DOCUMENTS

- D. 47,587 7/1915 Fuller ..... D3/54
- D. 130,026 8/1941 Kirst ..... D3/54
- D. 249,394 9/1978 Schwartz ..... D3/53

- D. 278,860 5/1985 Katz et al. .... D3/53
- 1,373,136 3/1921 Kranz ..... 190/901 X
- 2,319,127 10/1941 Guenther et al. .... 190/900 X
- 2,537,504 1/1951 Anderson ..... 150/107 X
- 4,088,167 5/1978 Schwartz ..... 150/107

Primary Examiner—Bruce W. Dunkins  
Assistant Examiner—Mark Baldwin  
Attorney, Agent, or Firm—Biebel, French & Nauman

[57] CLAIM

The ornamental design for a display mount for an underarm portfolio, as shown and described.

DESCRIPTION

FIG. 1 is a perspective view of display mount for an underarm portfolio.

FIG. 2 is an end elevation view thereof;

FIG. 3 is a top plan view thereof;

FIG. 4 is a front elevation view thereof; and

FIG. 5 is a bottom plan view thereof.

The portfolios illustrated by means of broken lines in FIG. 1 have been shown for illustrative purposes only.

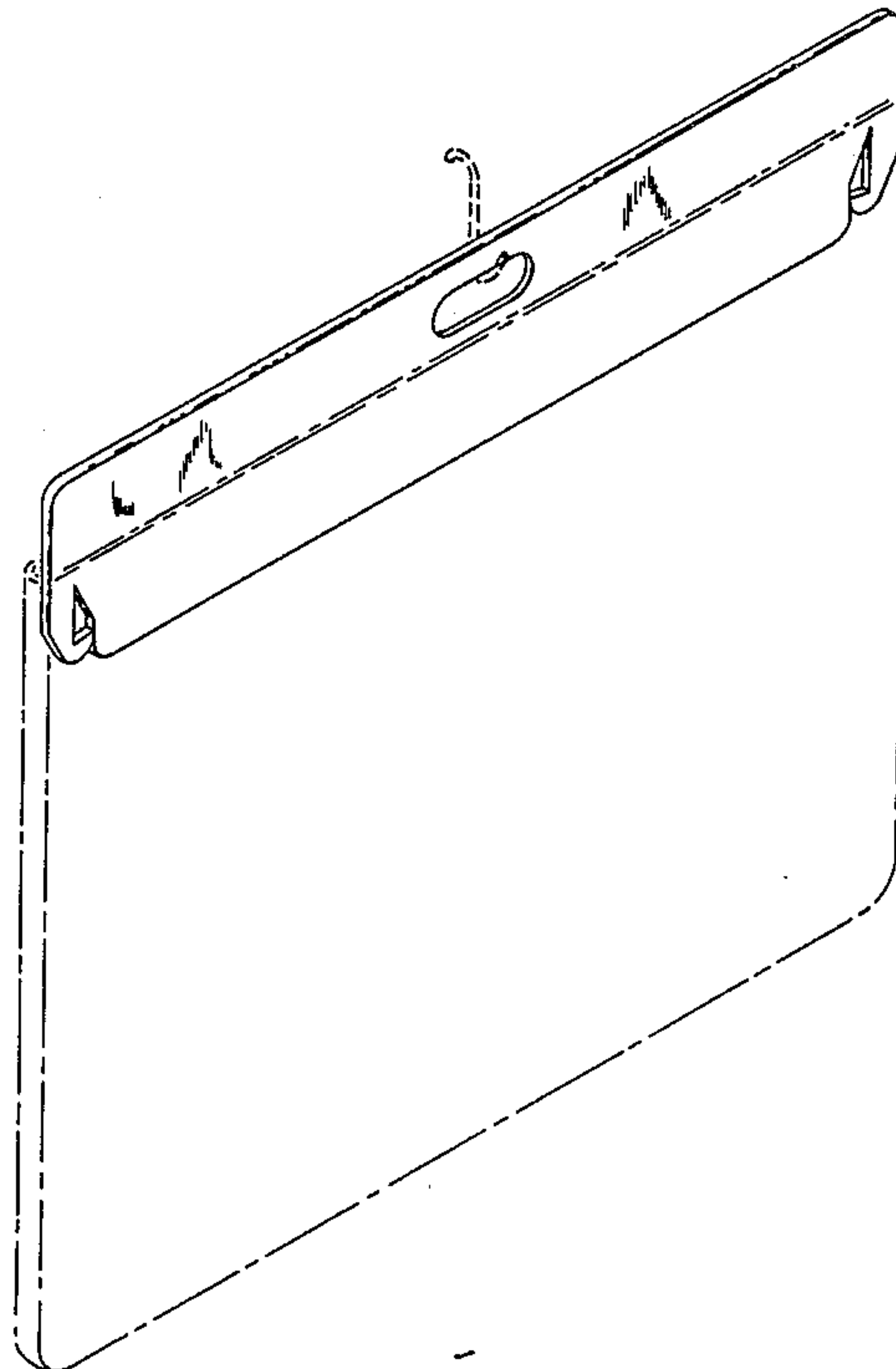


FIG - 1

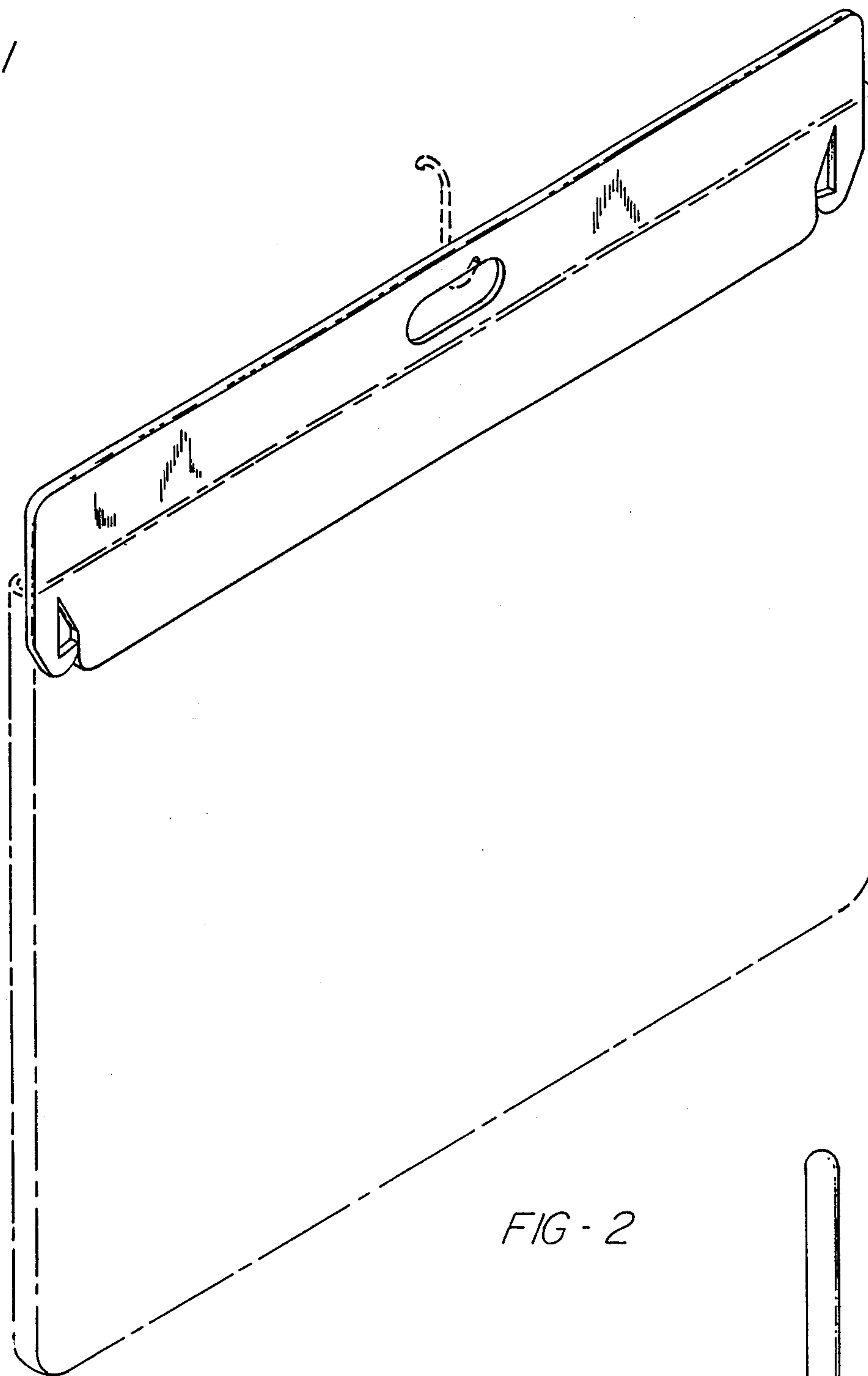


FIG - 2



FIG - 3

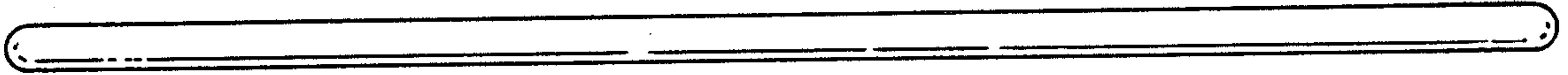


FIG - 4

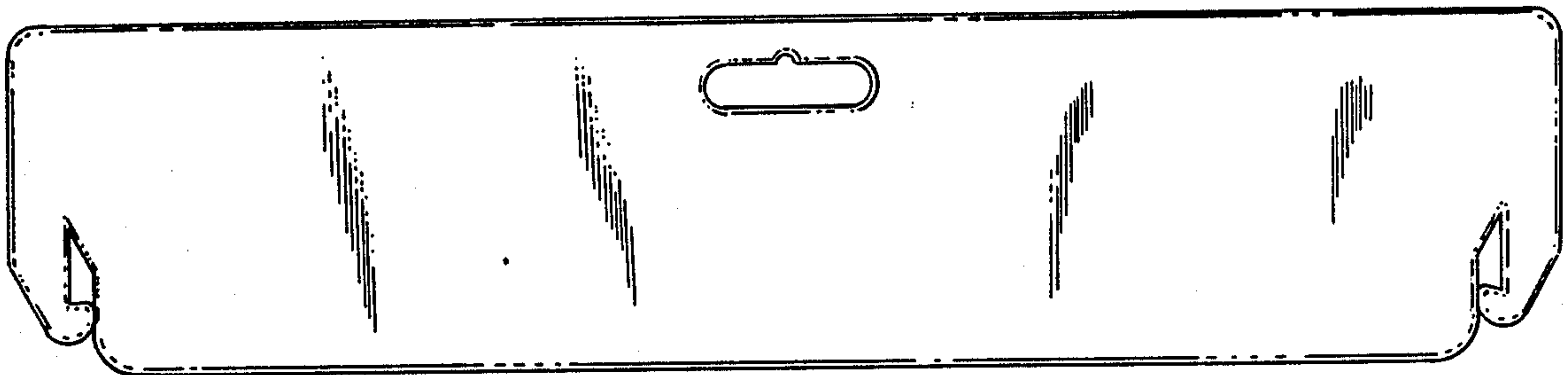


FIG - 5

