

[54] CARREL UNIT

[75] Inventor: Benjamin H. Weese, Chicago, Ill.

[73] Assignee: Midland Manufacturing Corp., Skokie, Ill.

[\*\*] Term: 14 Years

[21] Appl. No.: 941,939

[22] Filed: Dec. 15, 1986

[52] U.S. Cl. .... D6/421; D6/397

[58] Field of Search ..... D6/396, 397, 422, 421, D6/423, 424, 425, 426, 427, 428; 312/194, 195, 196; 108/59, 60, 64

[56] References Cited

U.S. PATENT DOCUMENTS

D. 220,111	3/1971	Gianfagna	.....	D6/421
D. 228,990	11/1973	Villanova	.....	D6/397 X
D. 229,996	11/1973	Morris	.....	D6/421
D. 237,439	11/1975	Kiser	.....	D6/420
D. 281,474	11/1985	Moorkens	.....	D6/397 X
3,079,473	2/1963	Hoven et al.	.....	D6/421 X
3,325,233	6/1967	Oppenhuizen et al.	.....	312/196 X
3,338,648	8/1967	Bannister	.....	312/196 X
3,636,890	1/1972	Huff	.....	108/60

OTHER PUBLICATIONS

*Furniture World*, Jul. 1980, p. 75; "Loftbed System", by Modular Concepts, Inc., top right on page.

Primary Examiner—Carmen H. Vales-Lado  
Attorney, Agent, or Firm—Wallenstein Wagner & Hattis, Ltd.

[57] CLAIM

The ornamental design for a carrel unit, as shown and described.

DESCRIPTION

FIG. 1 is a perspective view of a carrel unit showing my new design, the broken line showing of a chair is for illustrative purposes and forms no part of the claimed design;

FIG. 2 is a left side elevational view, the right side being a mirror image thereof;

FIG. 3 is a top plan view thereof;

FIG. 4 is a front elevational view the rear being flat and unornamented;

FIG. 5 is a perspective view of a modified form of the carrel unit shown in FIG. 1;

FIG. 6 is a left side elevational view, the right side being a mirror image without the stairs;

FIG. 7 is a top plan view thereof; and

FIG. 8 is a front elevational view, the rear being a mirror image thereof.

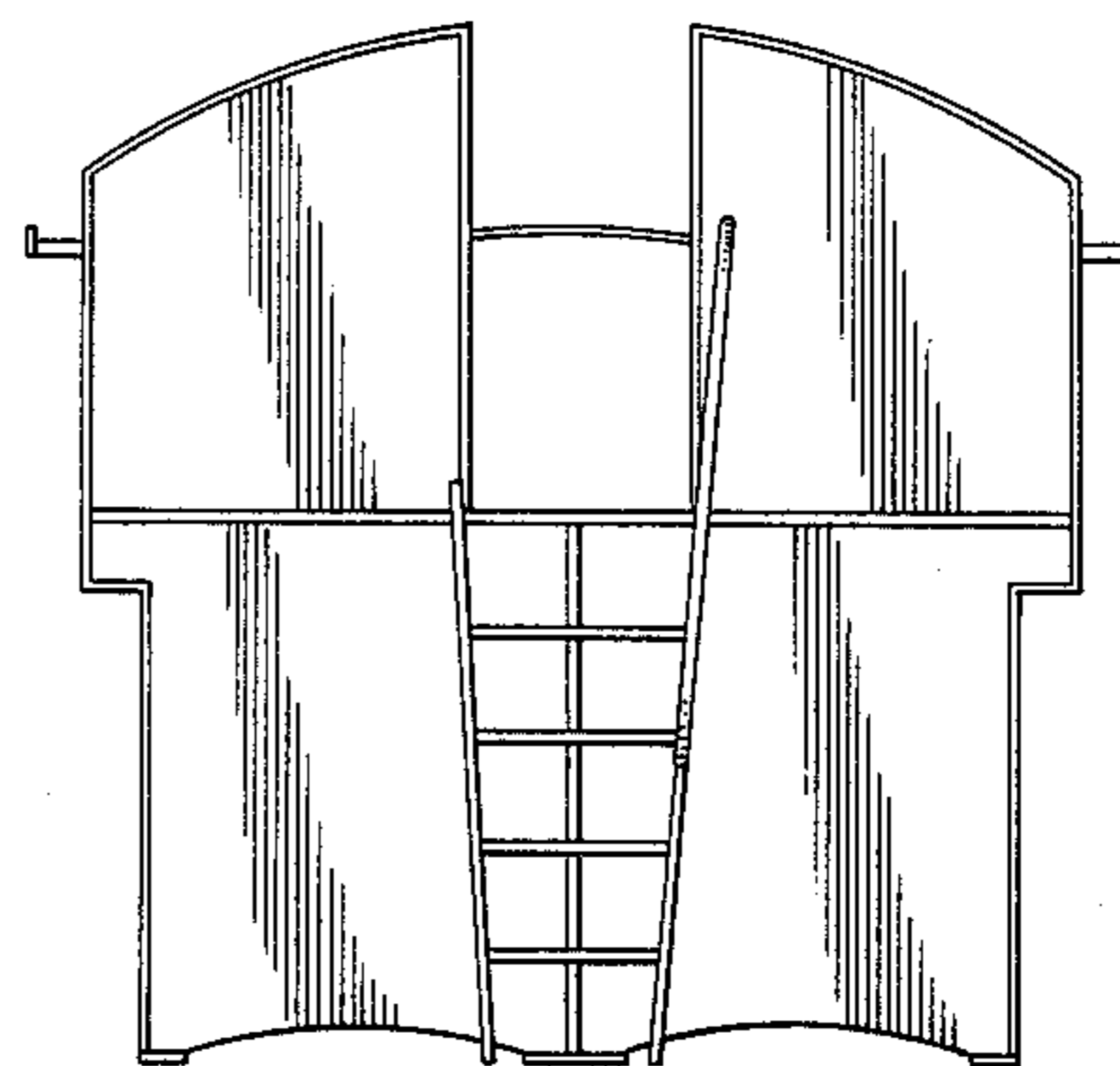
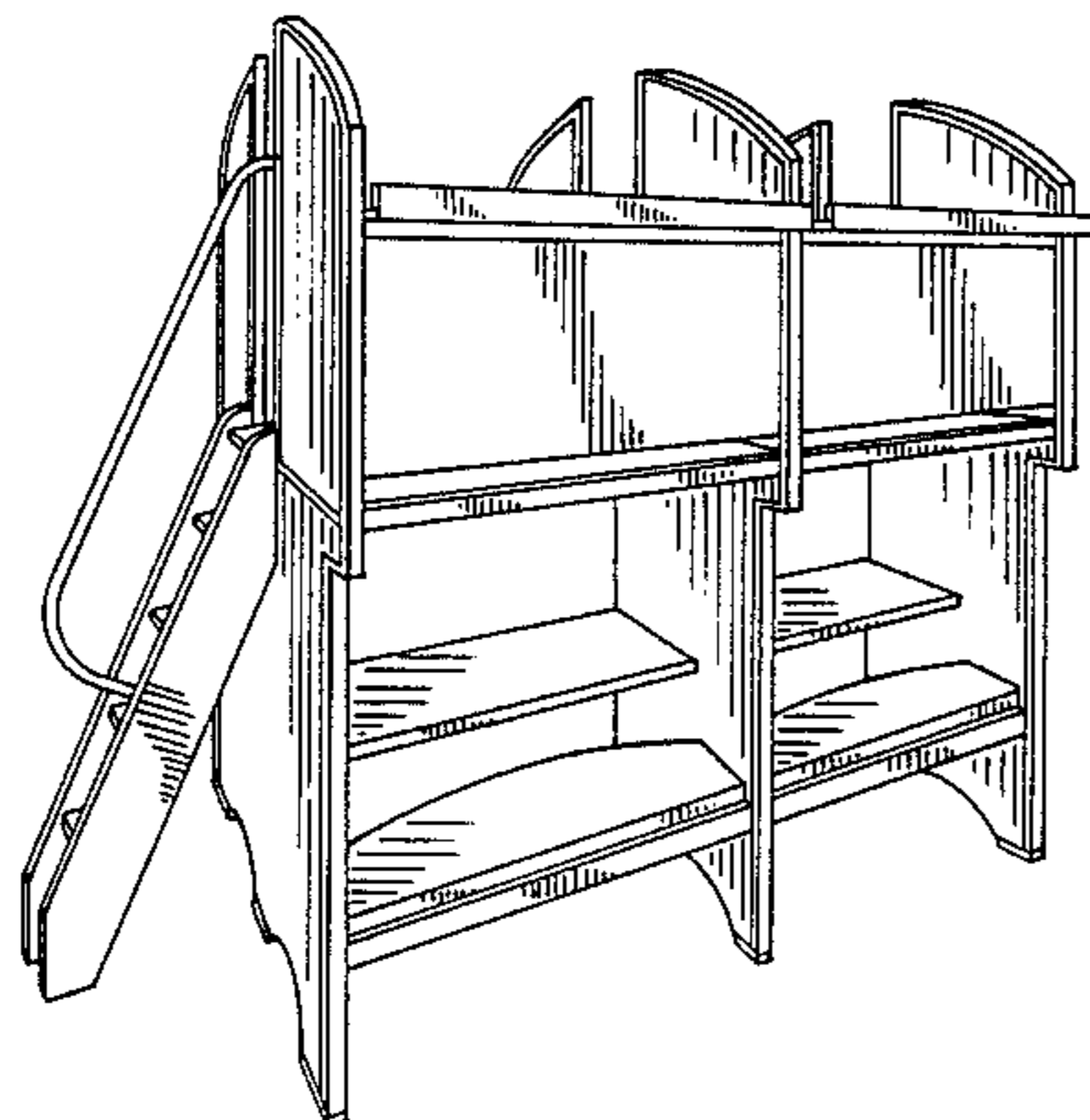
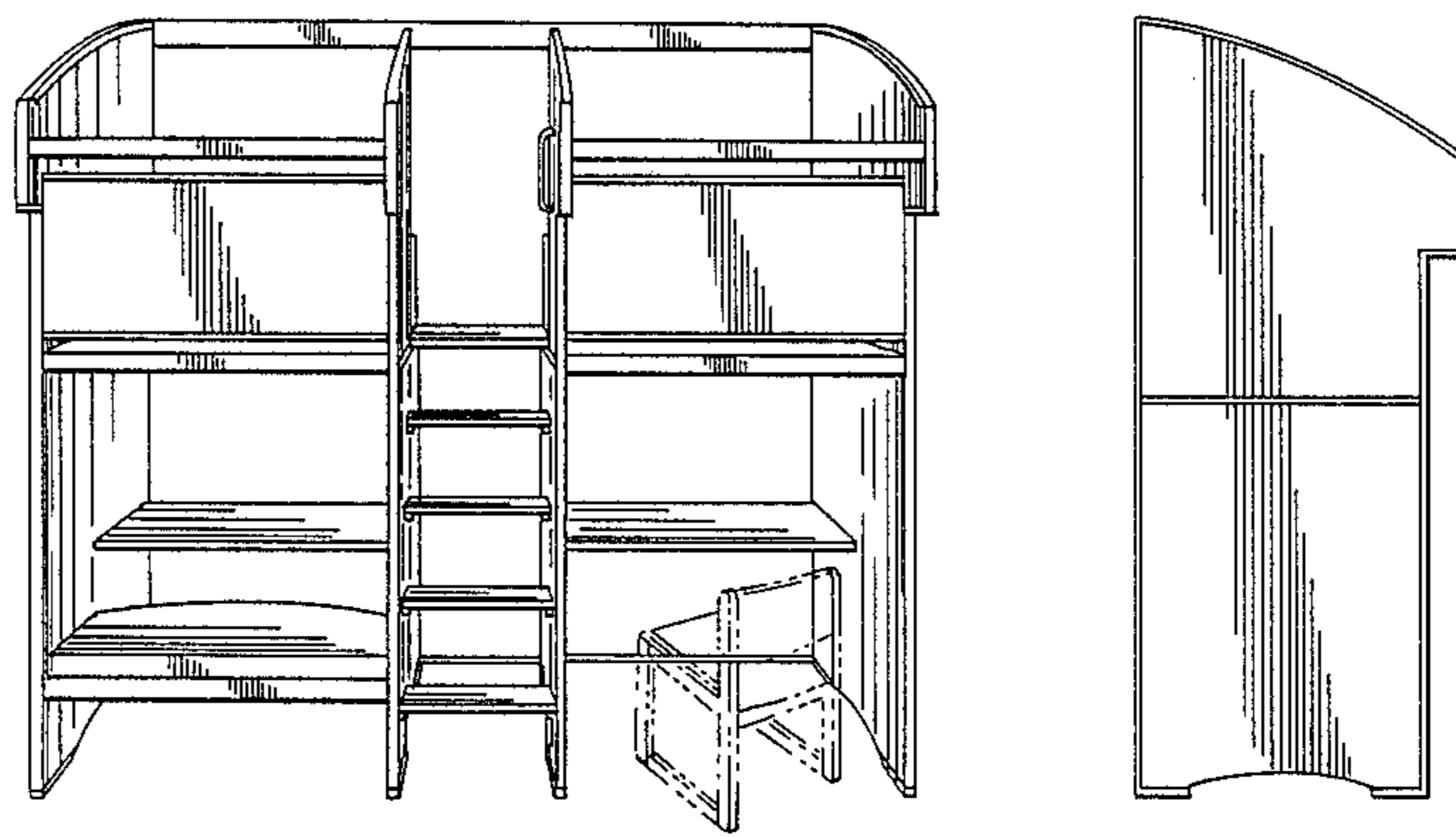


FIG-2-

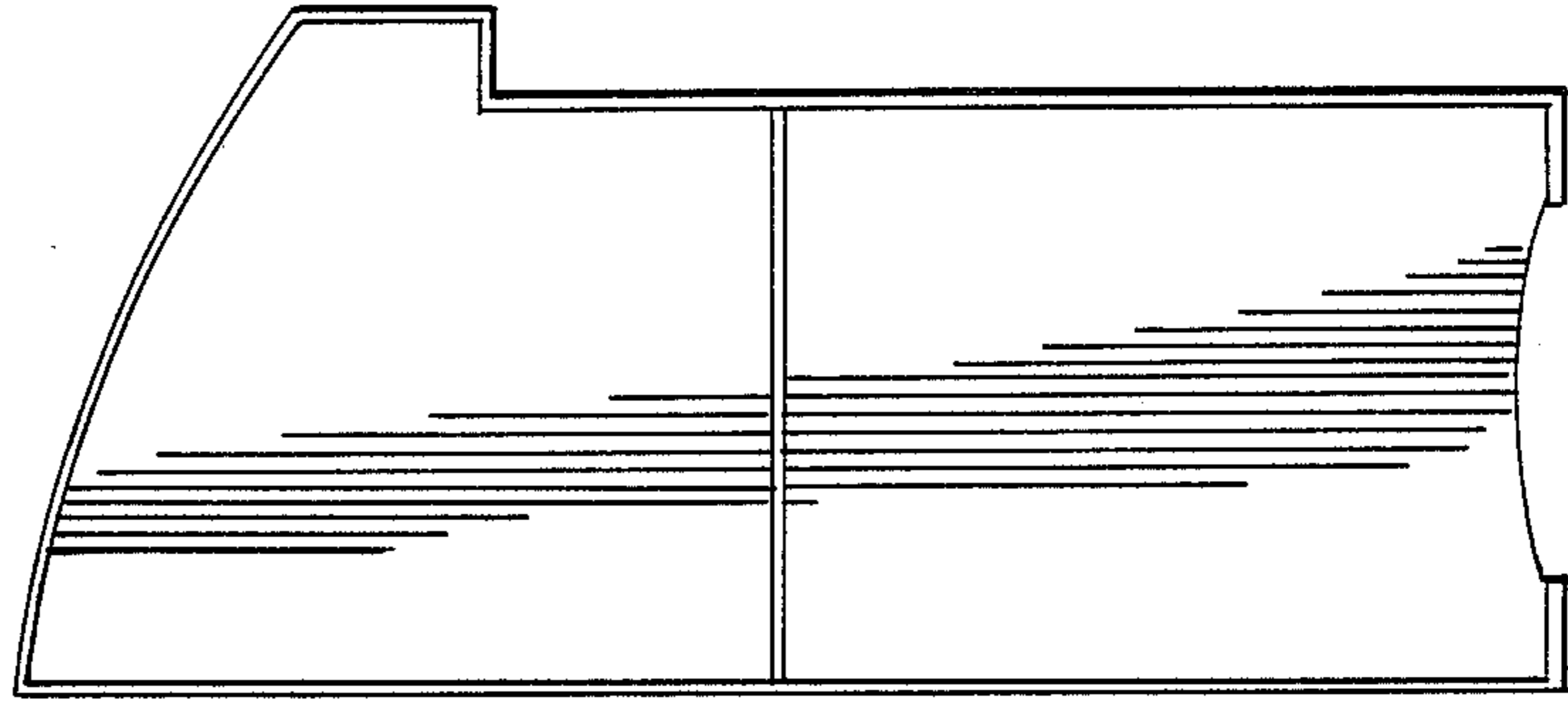


FIG-1-

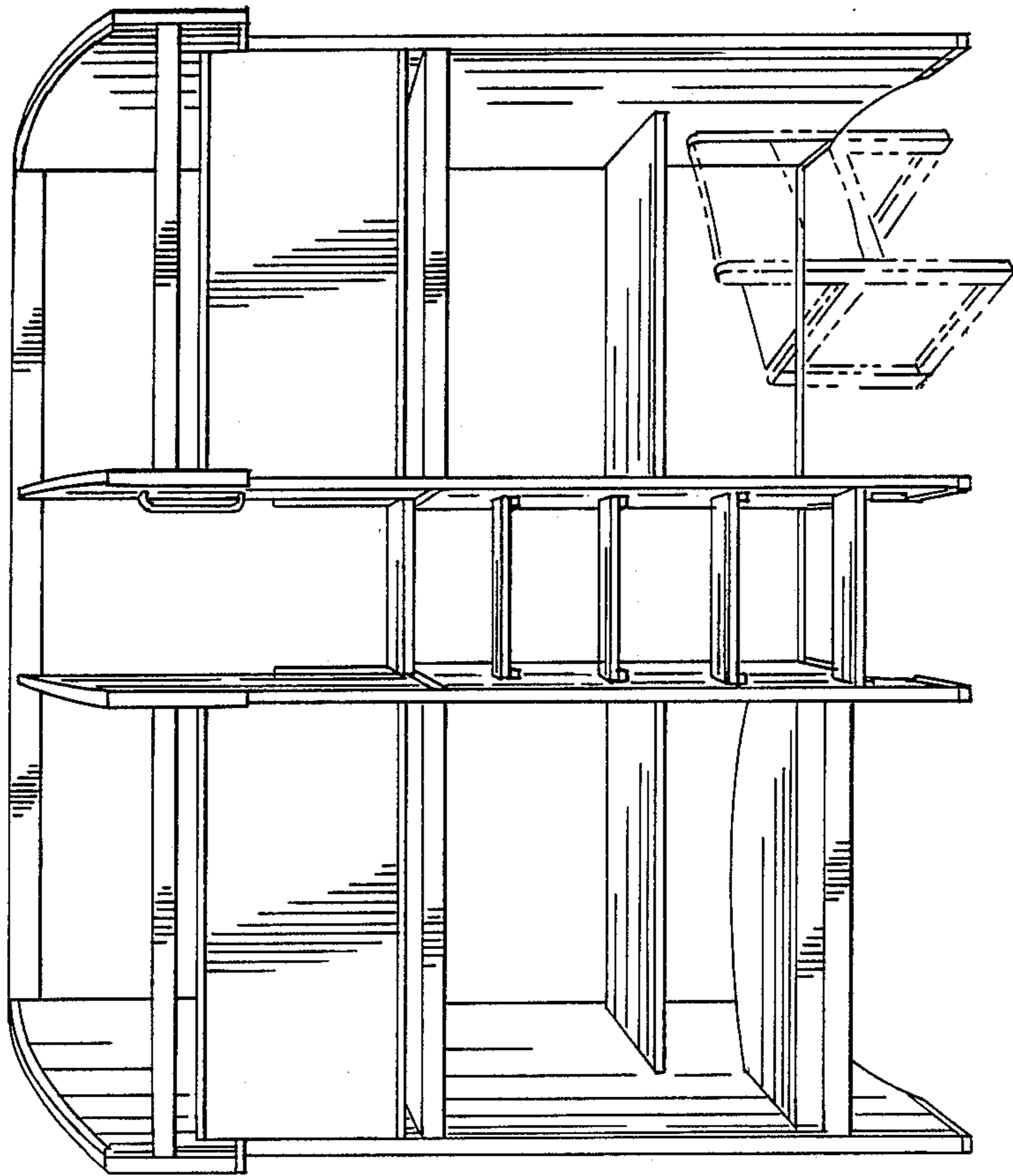


FIG. 3.

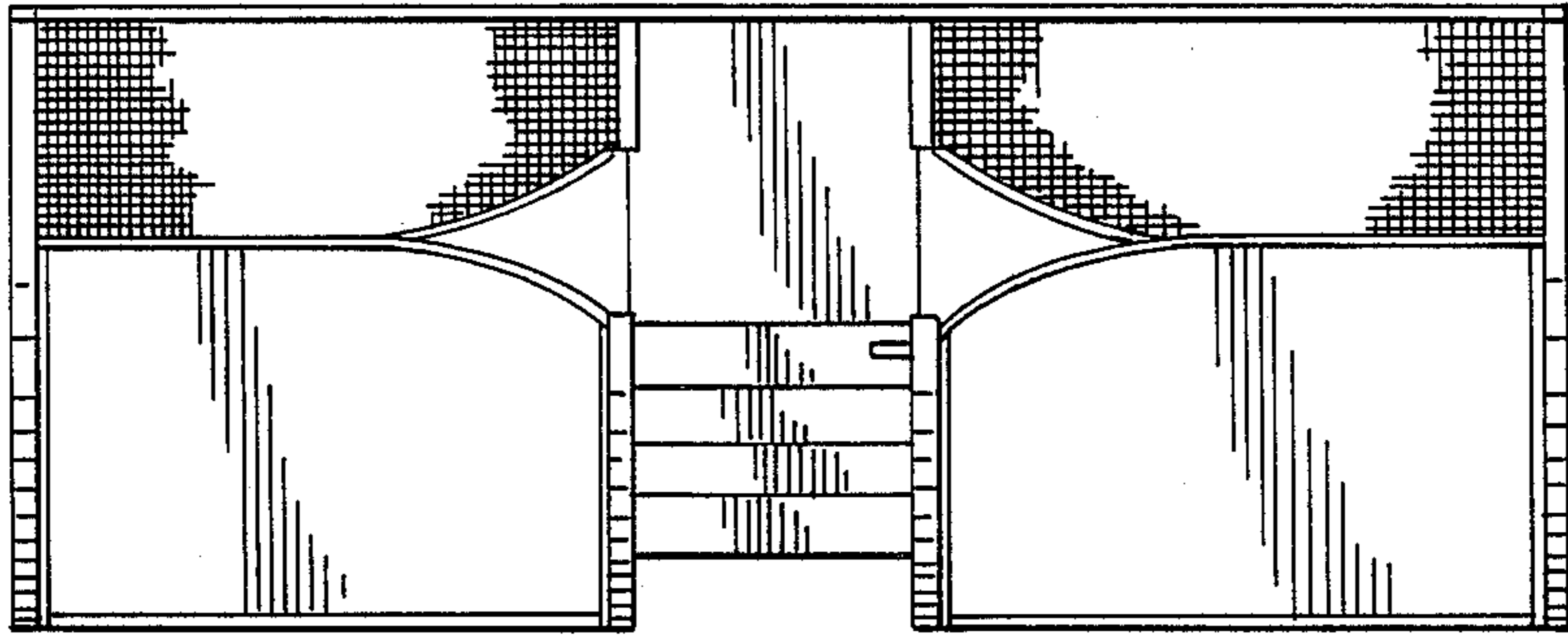


FIG. 4.

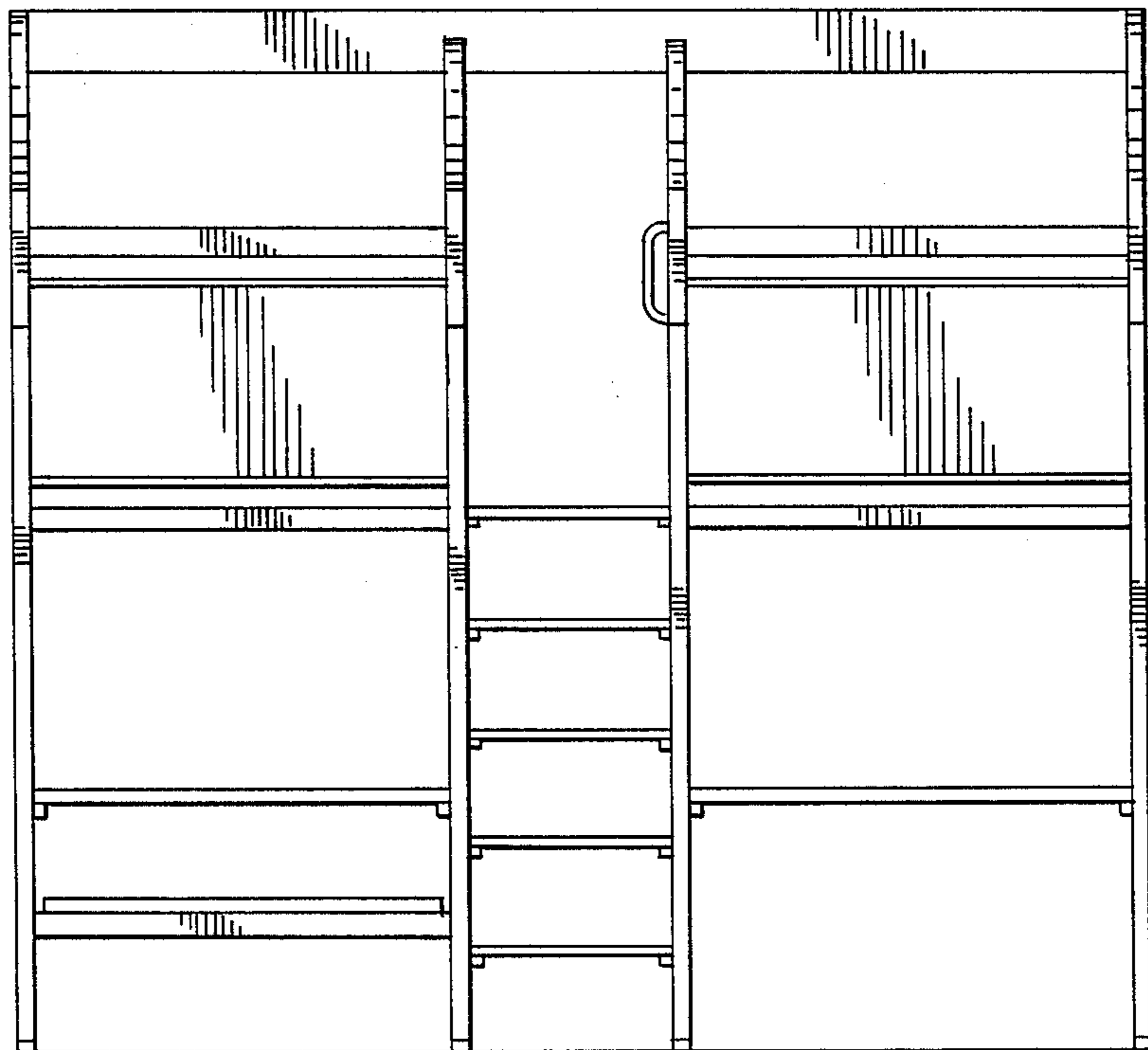


FIG. 5



FIG. 6

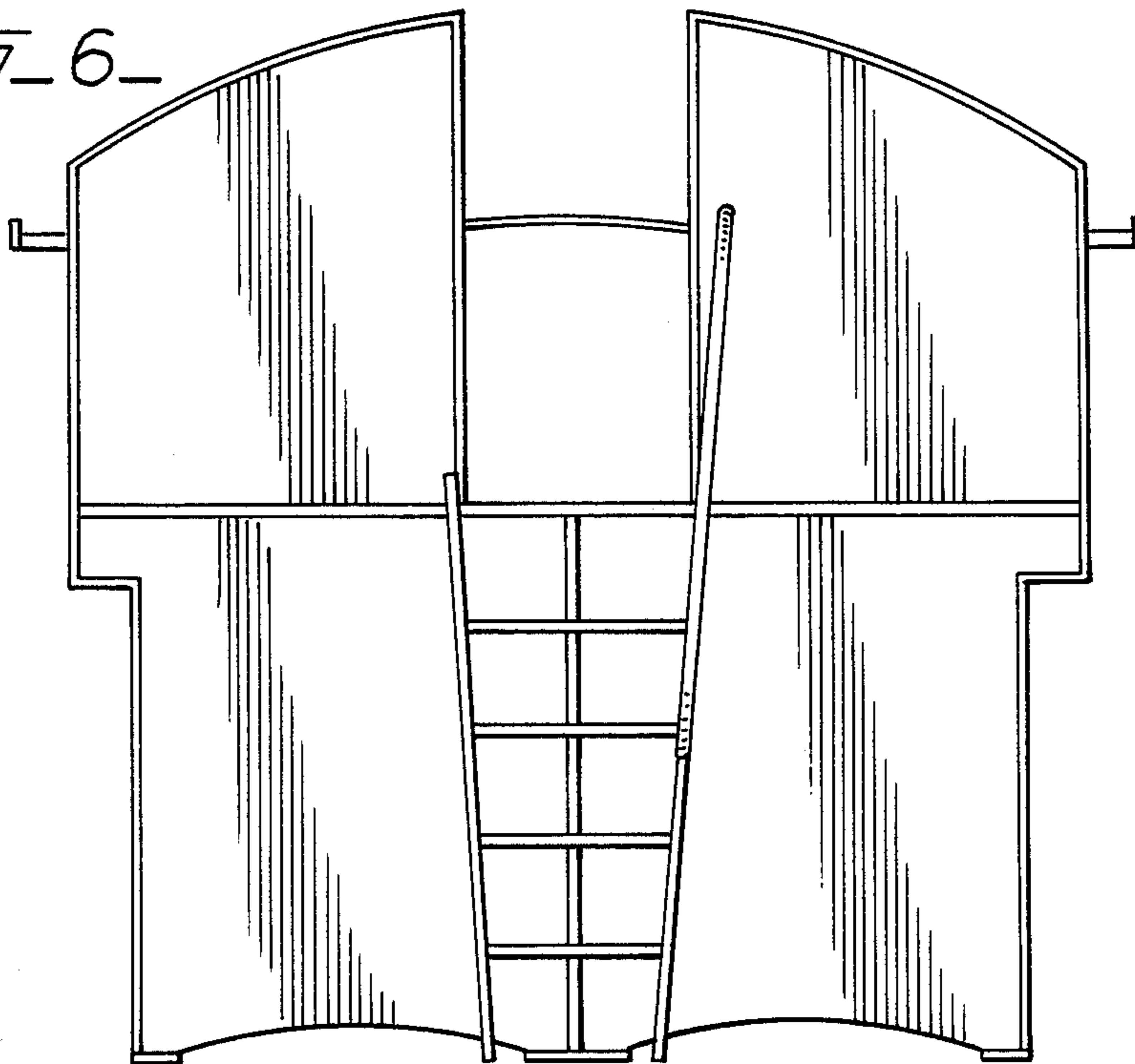




FIG. 7

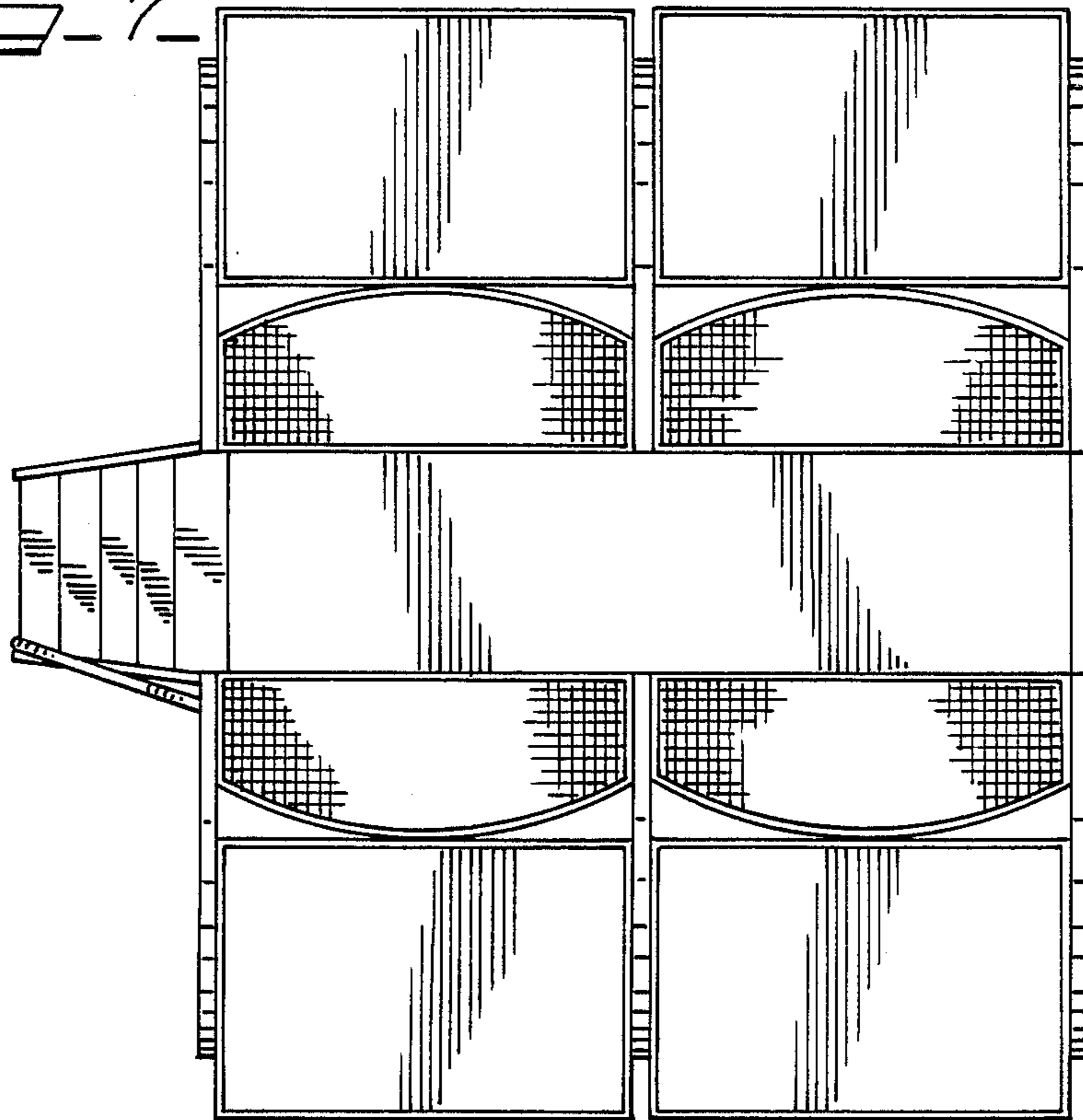


FIG. 8

