

[54] EASEL

[76] Inventor: Edward F. Kramer, 130 Knowlton St., Manchester, N.H. 03103

[**] Term: 14 Years

[21] Appl. No.: 924,509

[22] Filed: Oct. 29, 1986

[52] U.S. Cl. D6/311; D6/312

[58] Field of Search D6/300, 310-312; 248/441.1, 448, 449, 451, 452, 460, 462

[56] References Cited

U.S. PATENT DOCUMENTS

- D. 205,514 8/1966 Rubin D6/311
- D. 242,757 12/1976 Stark D6/311
- D. 291,153 8/1987 Nakatani D6/300

- 2,912,203 11/1959 Townsend 248/448
- 3,095,834 7/1963 Killen 248/441.1

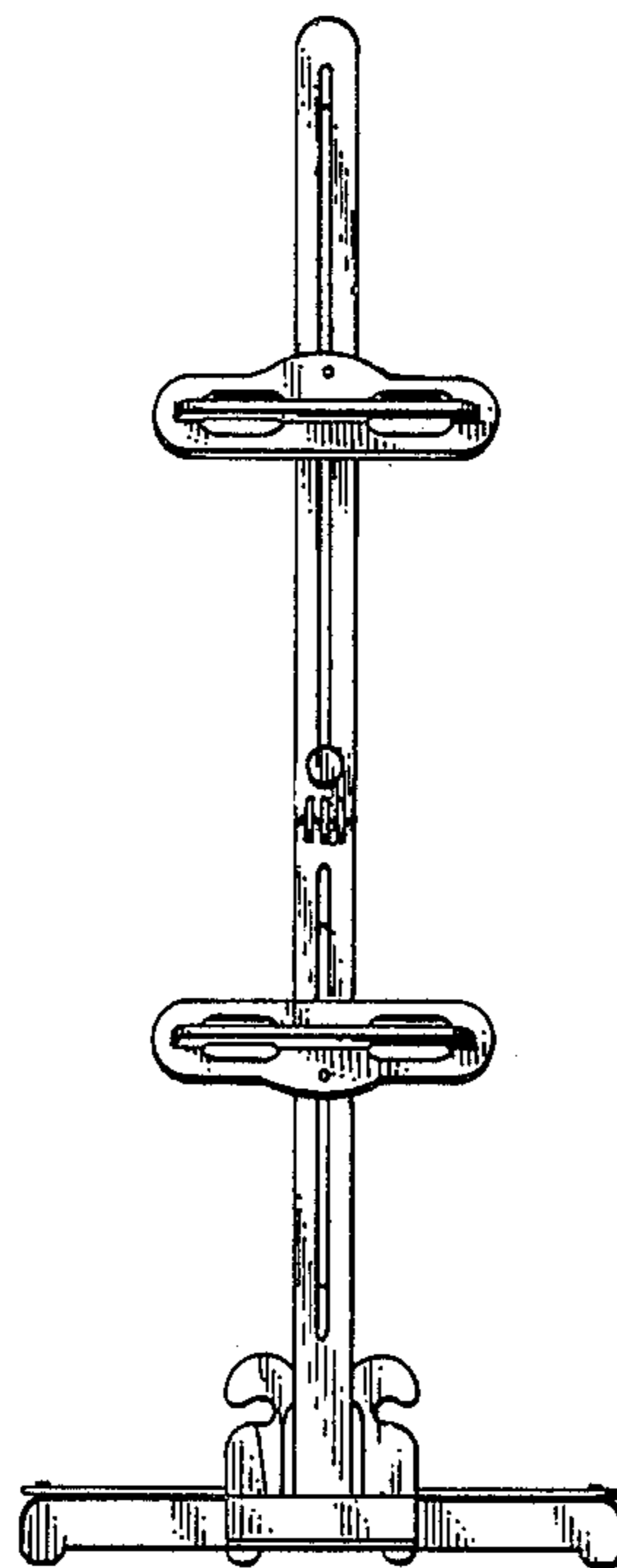
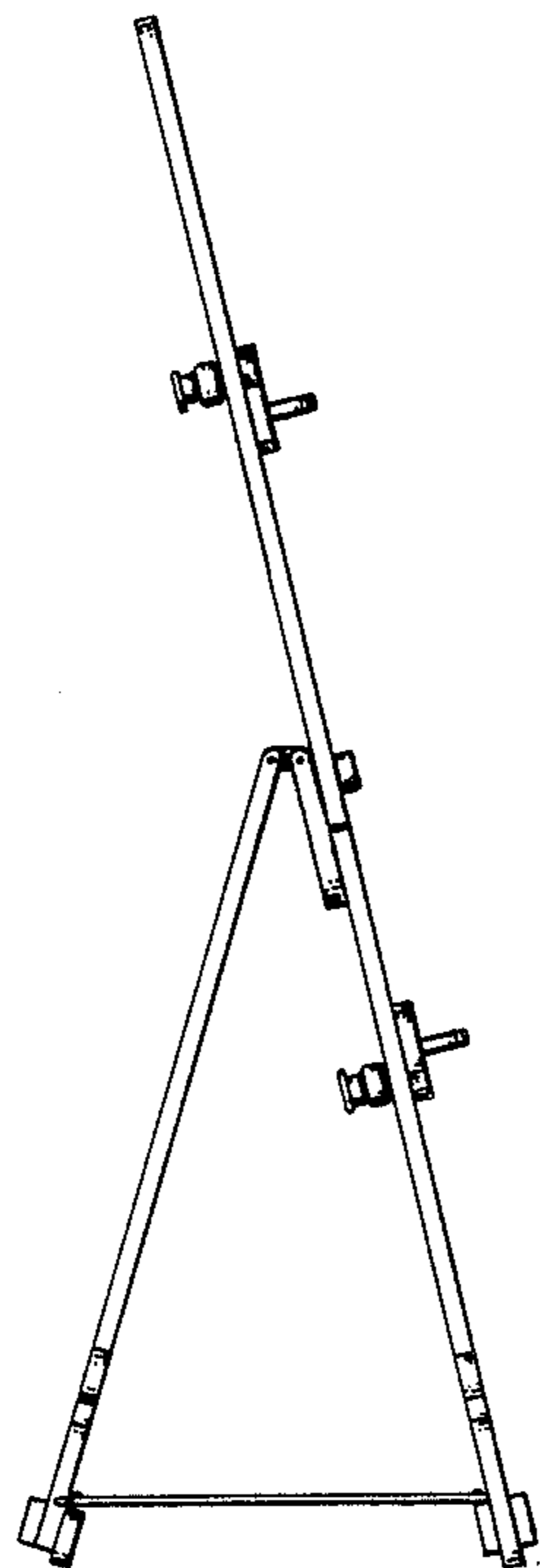
Primary Examiner—B. J. Bullock
Attorney, Agent, or Firm—Lee A. Strimbeck

[57] CLAIM

The ornamental design for an easel, as shown and described.

DESCRIPTION

FIG. 1 is a front view of the easel showing my new design, in its open position;
 FIG. 2 is a rear view thereof;
 FIG. 3 is a left side view thereof, the right side being a mirror image;
 FIG. 4 is a top view of FIG. 3;
 FIG. 5 is a bottom view of FIG. 3;
 FIG. 6 is a left side view thereof, in its folded position.



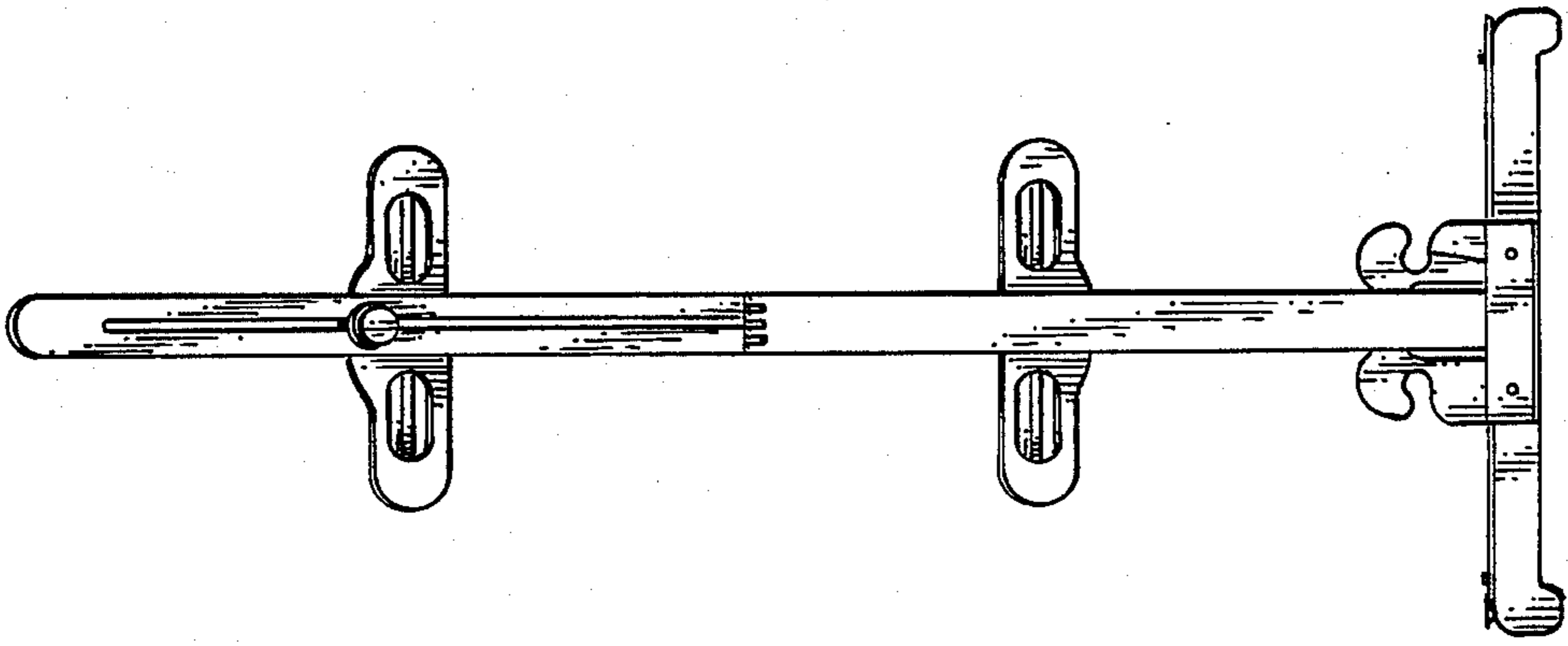


FIG. 2

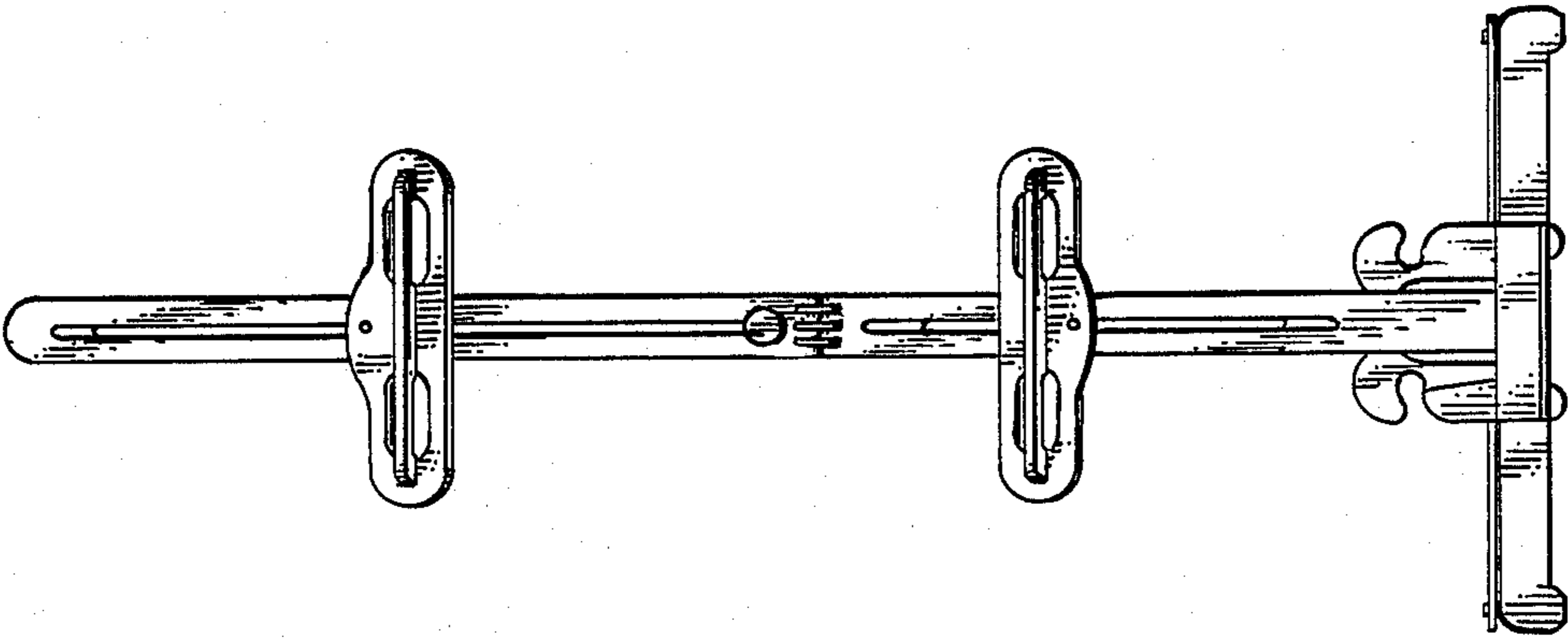


FIG. 1

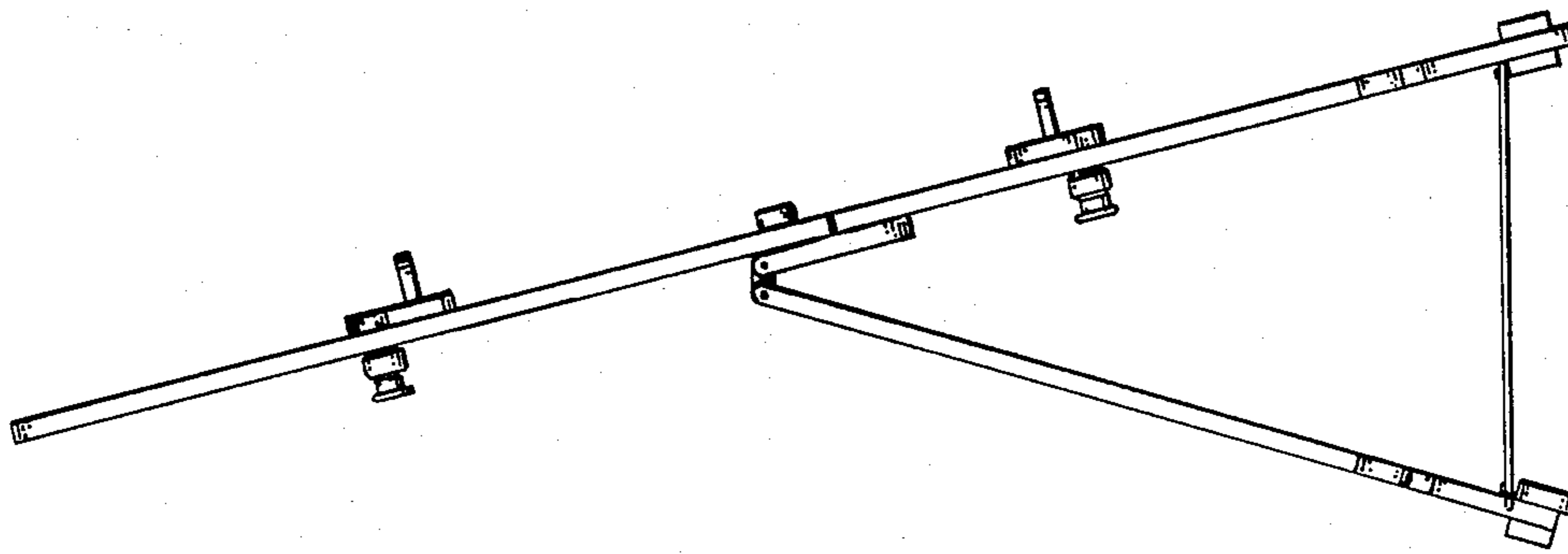


FIG. 3

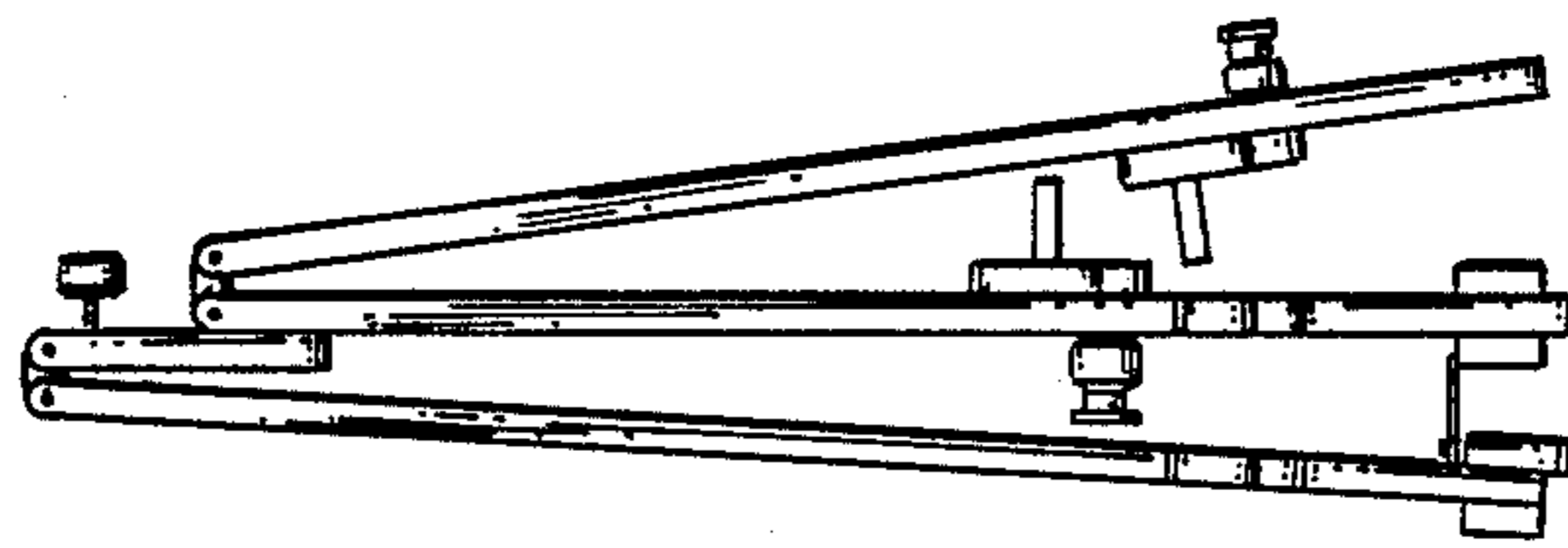


FIG. 6

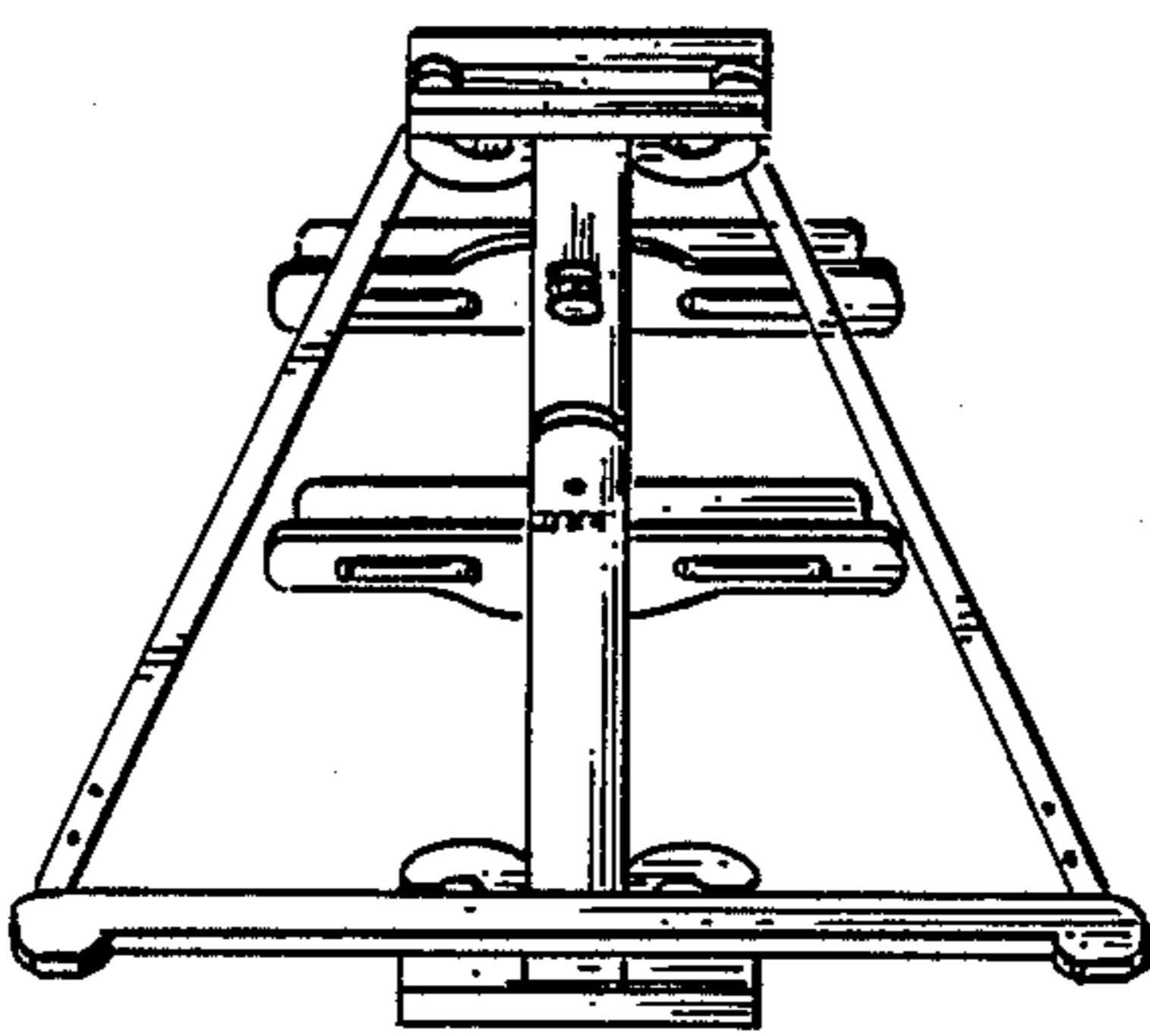


FIG. 5

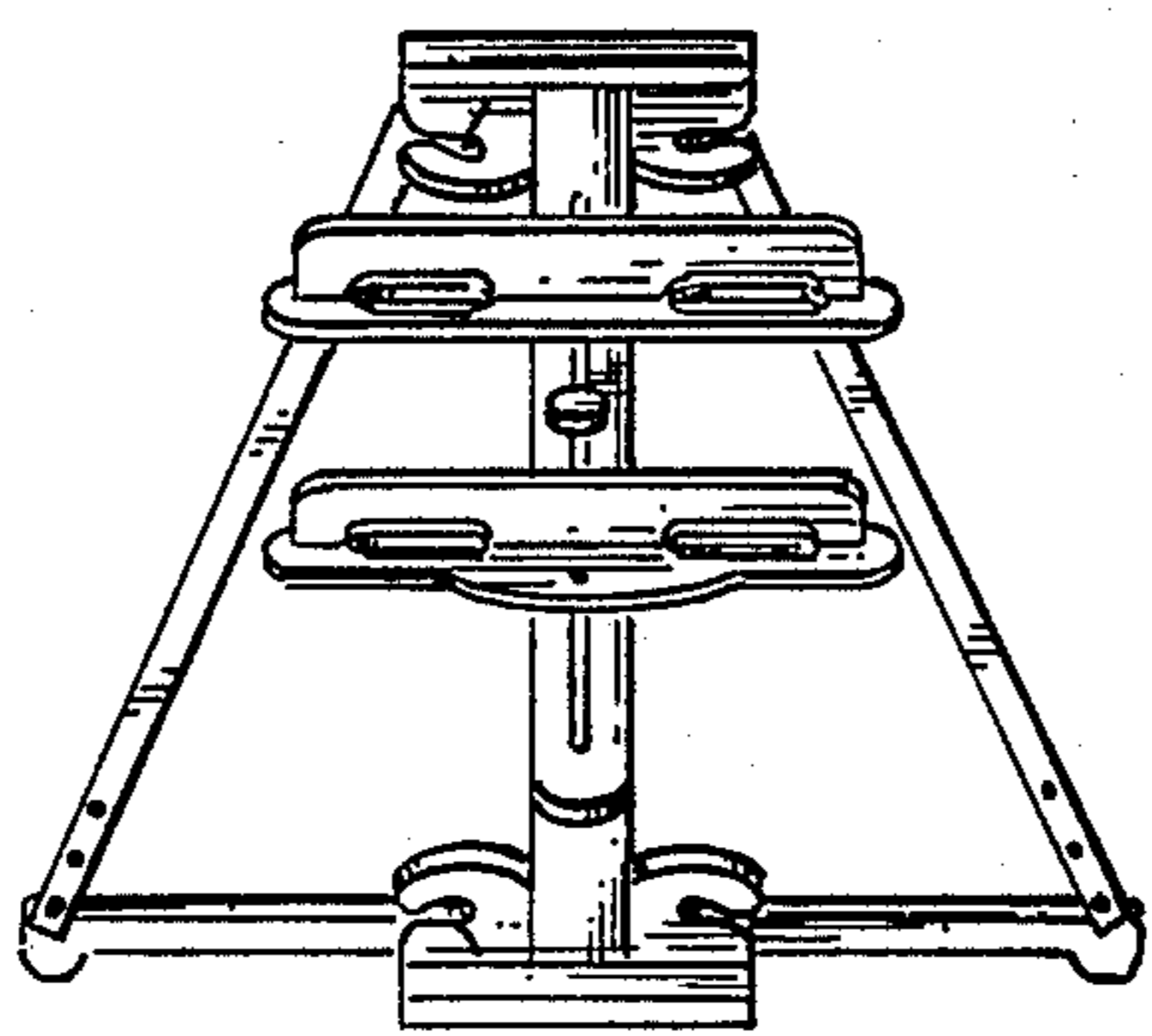


FIG. 4