

[54] FLOPPY DISK WALLET

[75] Inventor: David L. Mackey, Amherst, N.H.

[73] Assignee: Amherst International Corporation, Manchester, N.H.

[**] Term: 14 Years

[21] Appl. No.: 875,652

[22] Filed: Jun. 16, 1986

[52] U.S. Cl. D3/35

[58] Field of Search D18/2, 7, 11, 78; D3/39, 42, 56, 58, 74, 75; D28/38, 83; D19/26, 28

[56] References Cited

U.S. PATENT DOCUMENTS

D. 109,358	4/1938	Ridenour	D3/39
D. 127,370	5/1941	Froelich	D19/26 X
D. 257,264	10/1980	Savatteri	D19/26
2,076,683	4/1937	Tharp	D3/74 X
2,167,926	8/1939	Glasker	D3/39 X
2,321,807	6/1943	Glickman	D3/39 X
4,511,034	4/1985	Pan	D19/26 X

Primary Examiner—Bruce W. Dunkins
Assistant Examiner—Y. Brunot

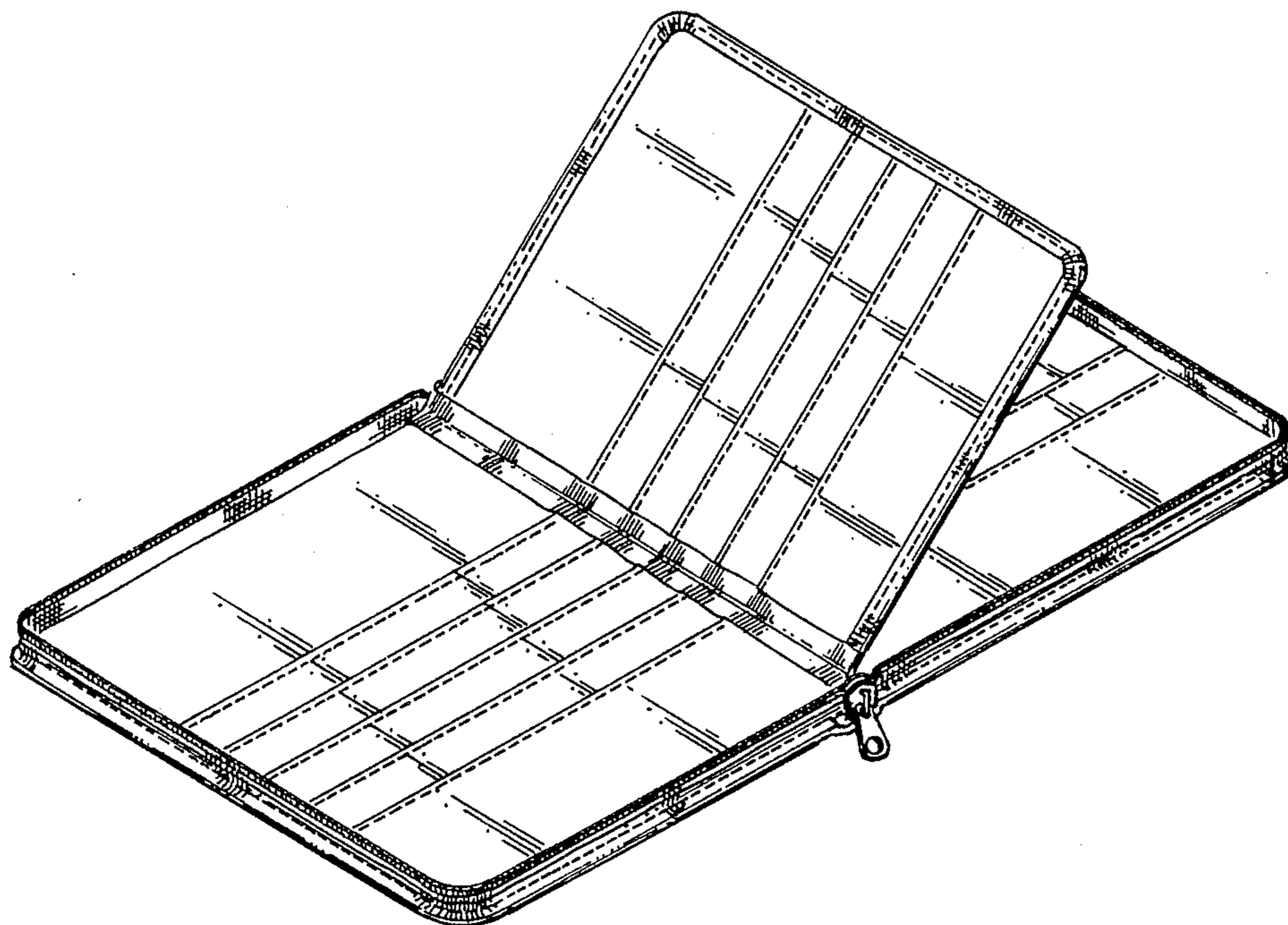
Attorney, Agent, or Firm—Davis, Bujold & Streck

[57] CLAIM

The ornamental design for floppy disk wallet, as shown and described.

DESCRIPTION

FIG. 1 is a top perspective view of a floppy disk wallet showing my new design;
 FIG. 2 is a top plan view;
 FIG. 3 is a left end elevational view;
 FIG. 4 is a right end elevational view;
 FIG. 5 is a bottom plan view;
 FIG. 6 is a front elevational view;
 FIG. 7 is a rear elevational view;
 FIG. 8 is a top perspective view of the floppy disk wallet in open condition showing the central divider in a partially elevated position;
 FIG. 9 is a left end view of the wallet of FIG. 8;
 FIG. 10 is a rear elevational view of the wallet in open condition;
 FIG. 11 is a front elevational view of the wallet in open condition;
 FIG. 12 is a right end view of the wallet of FIG. 8 with the central divider fully elevated; and
 FIG. 13 is an elevational view taken from the left of FIG. 12.



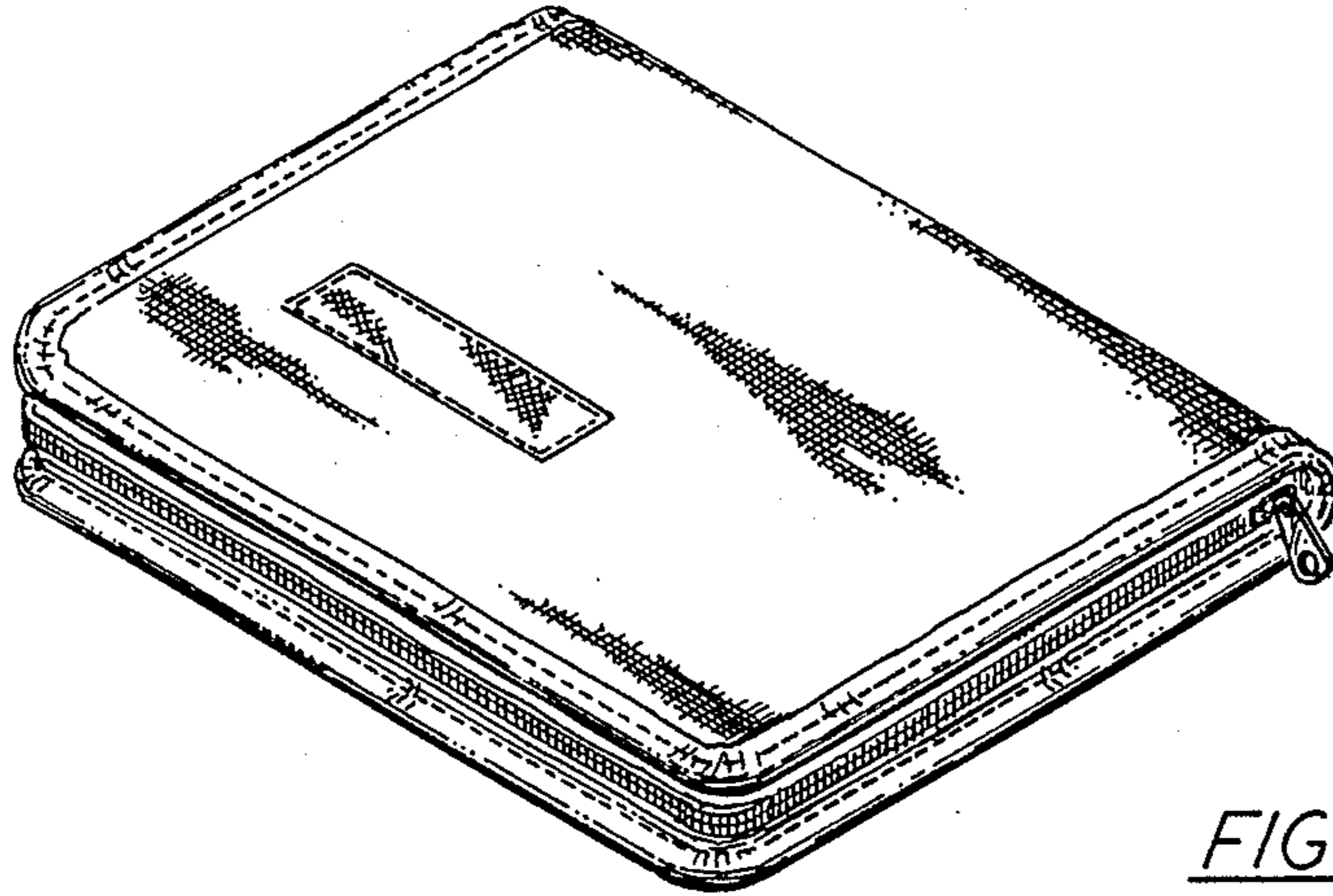


FIG. 1

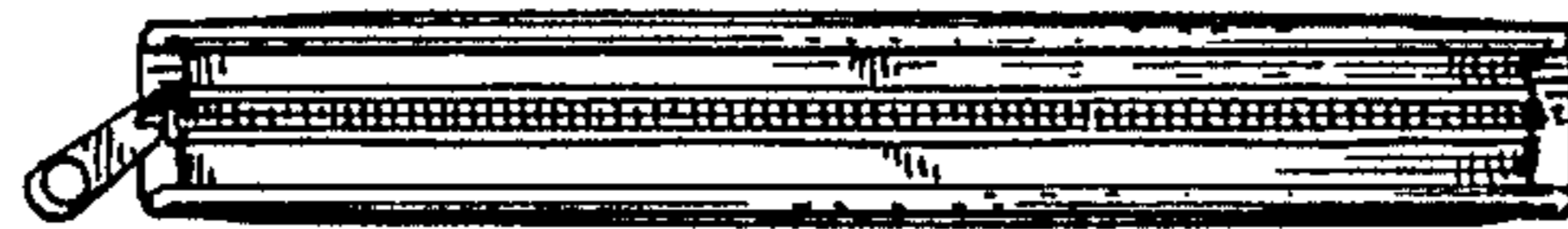


FIG. 6

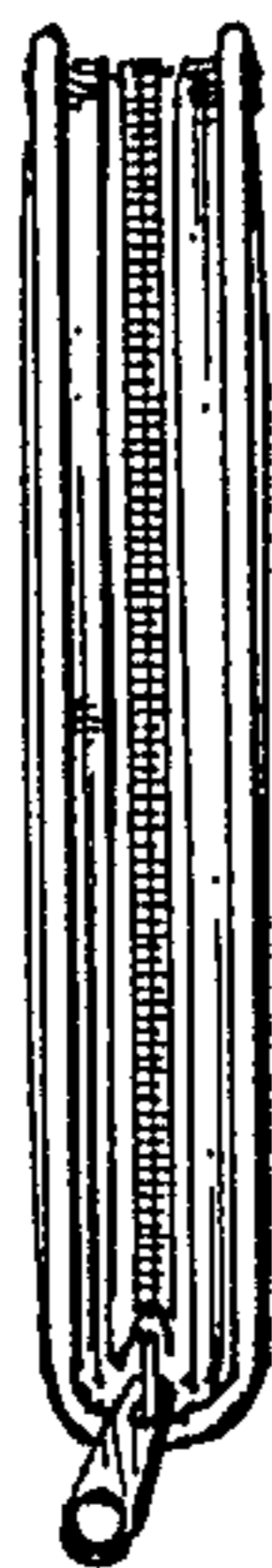


FIG. 3

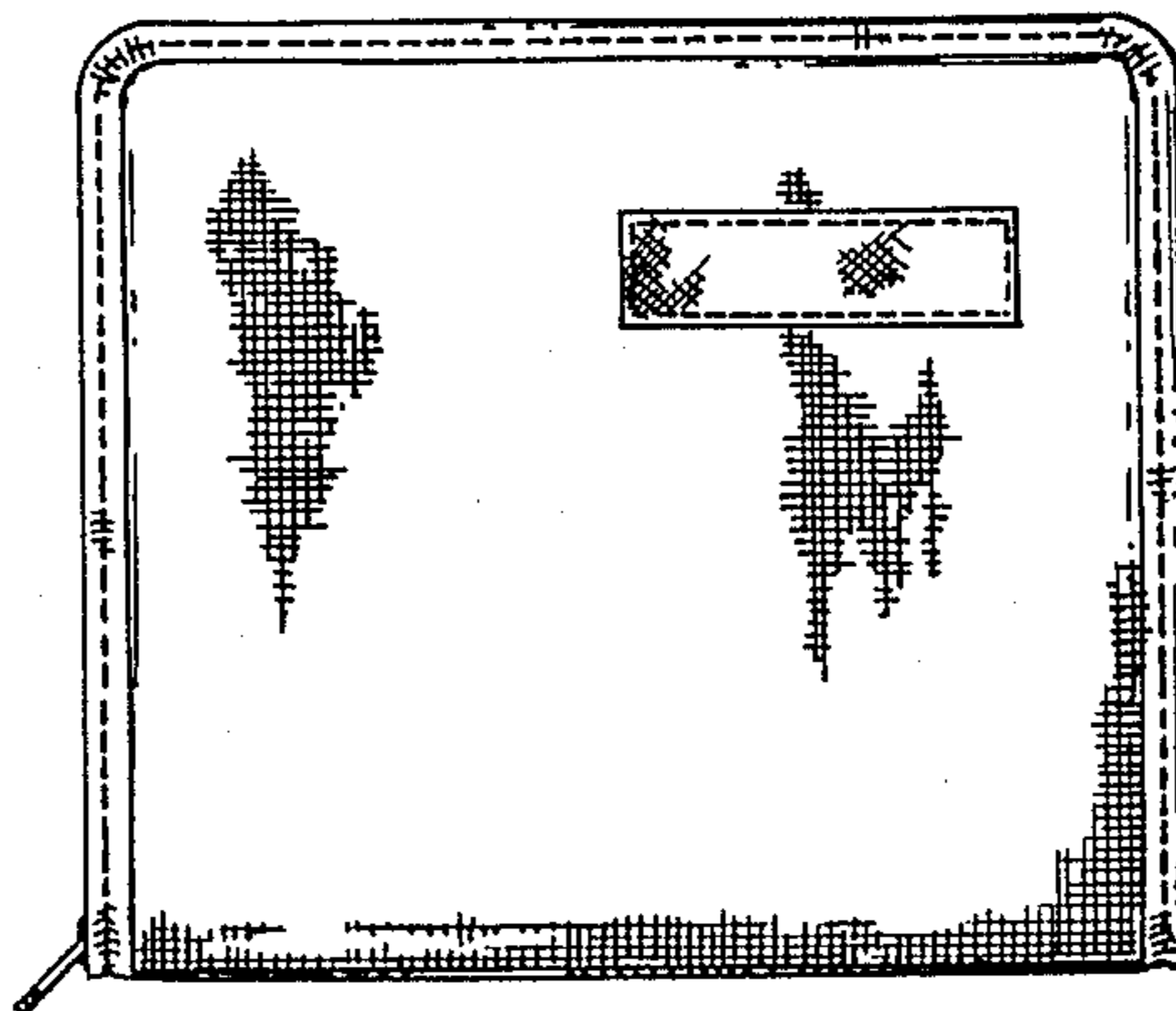


FIG. 2



FIG. 4

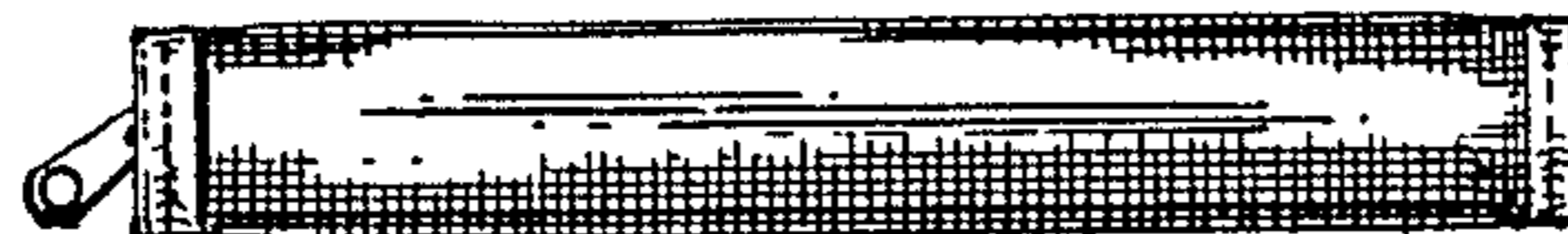


FIG. 7

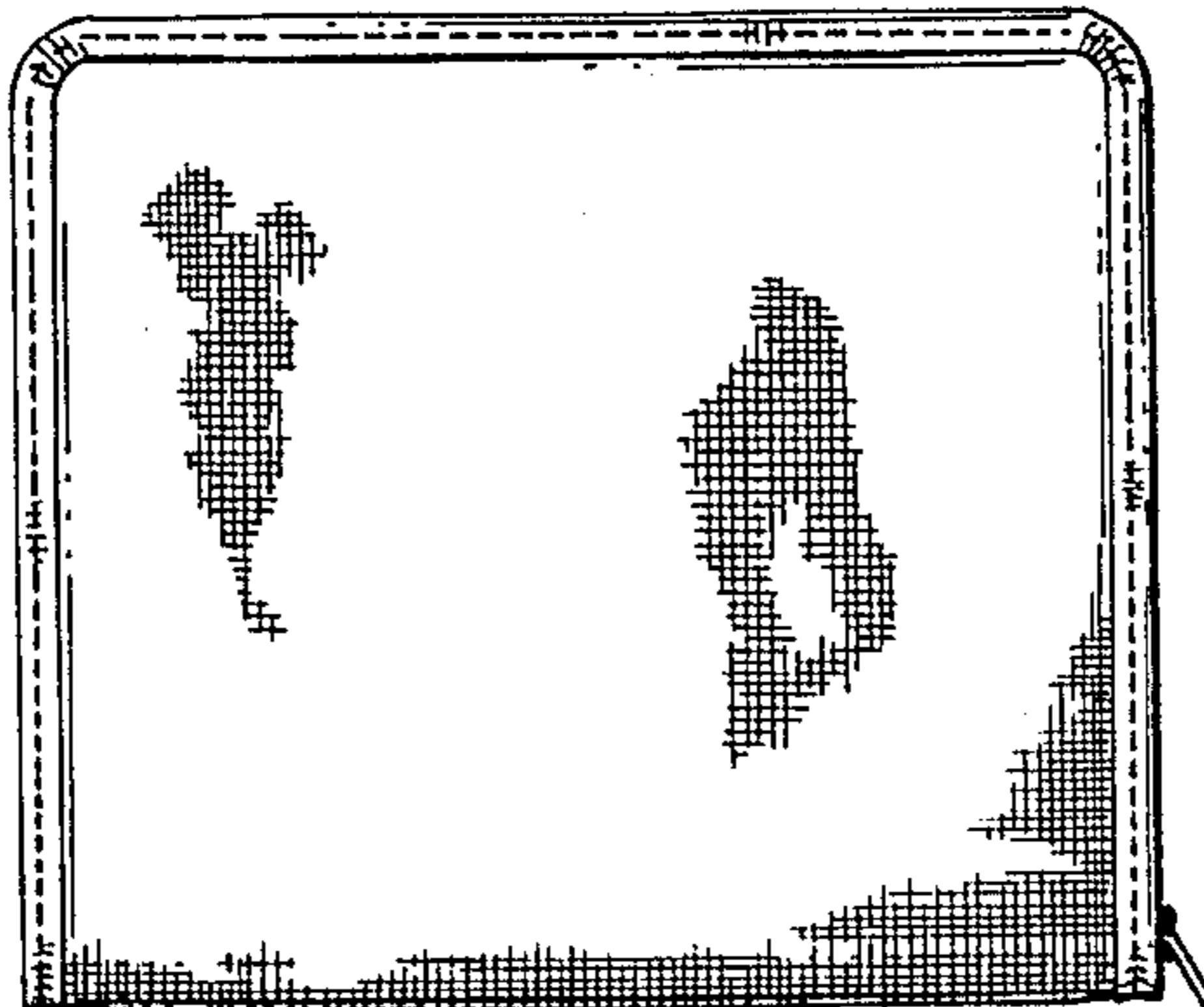


FIG. 5

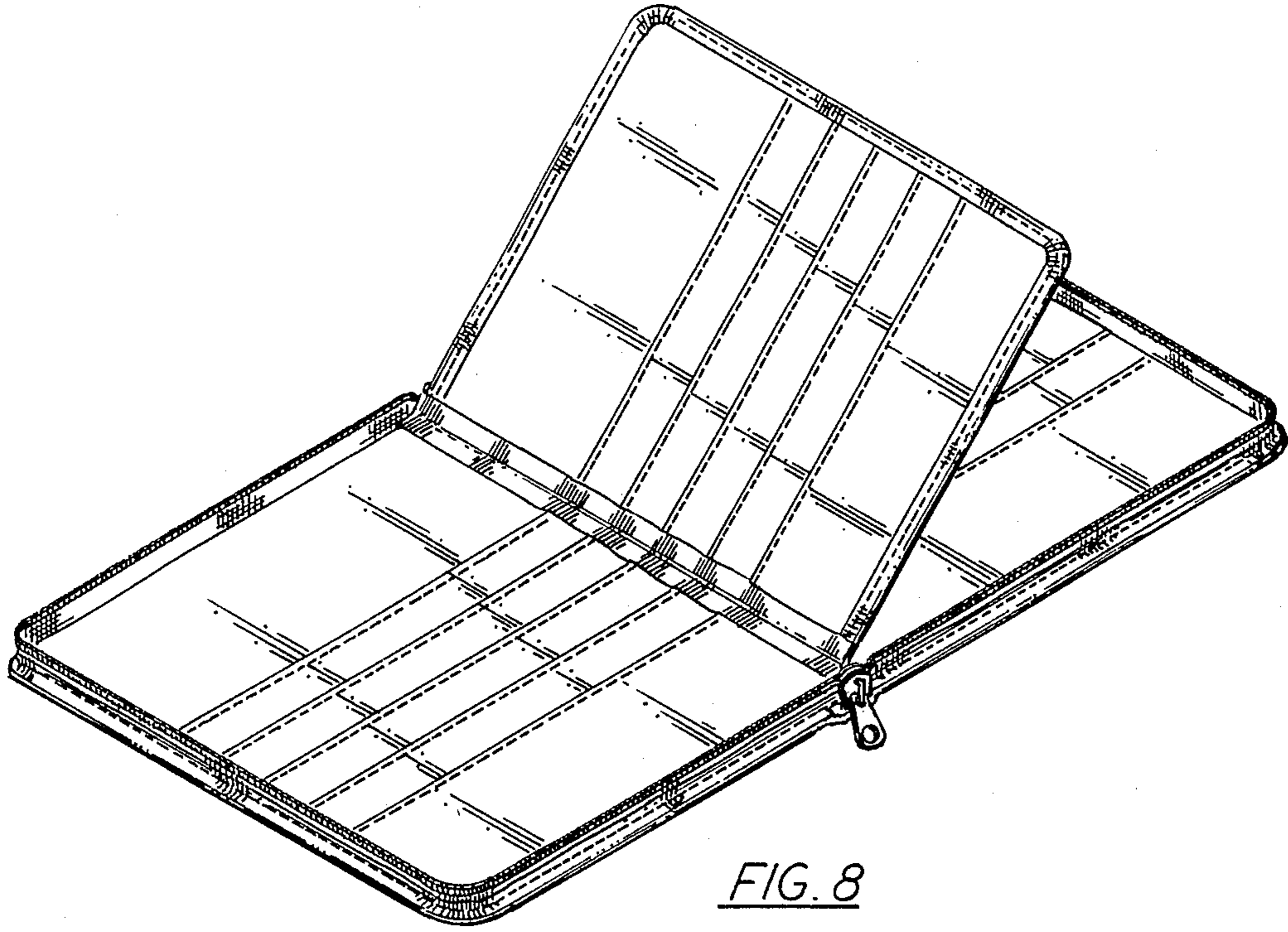


FIG. 8

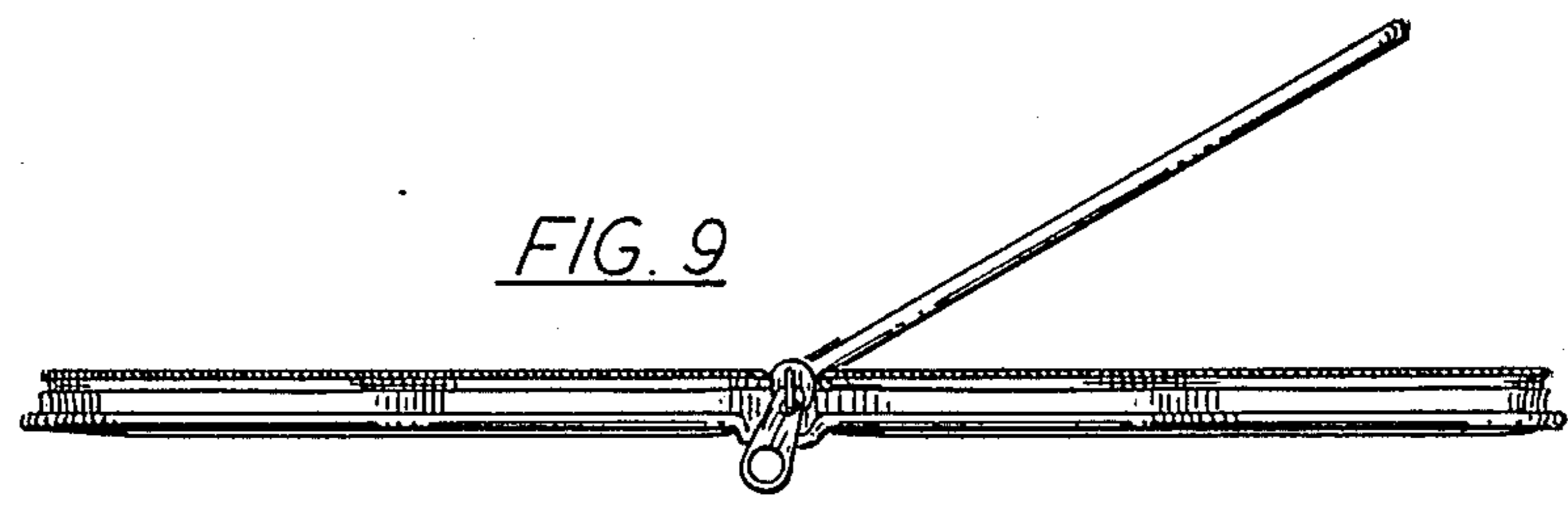


FIG. 9

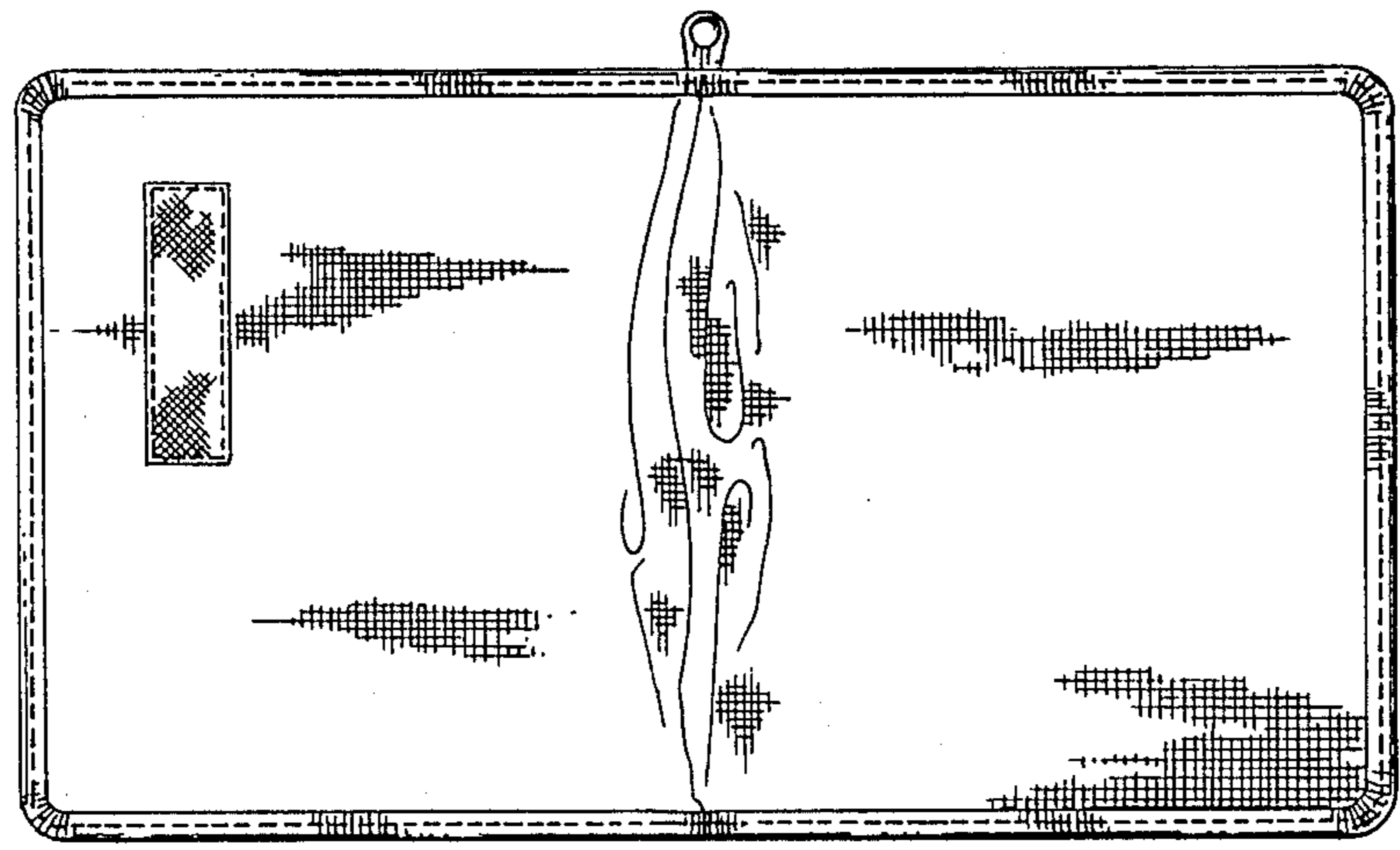


FIG. 10

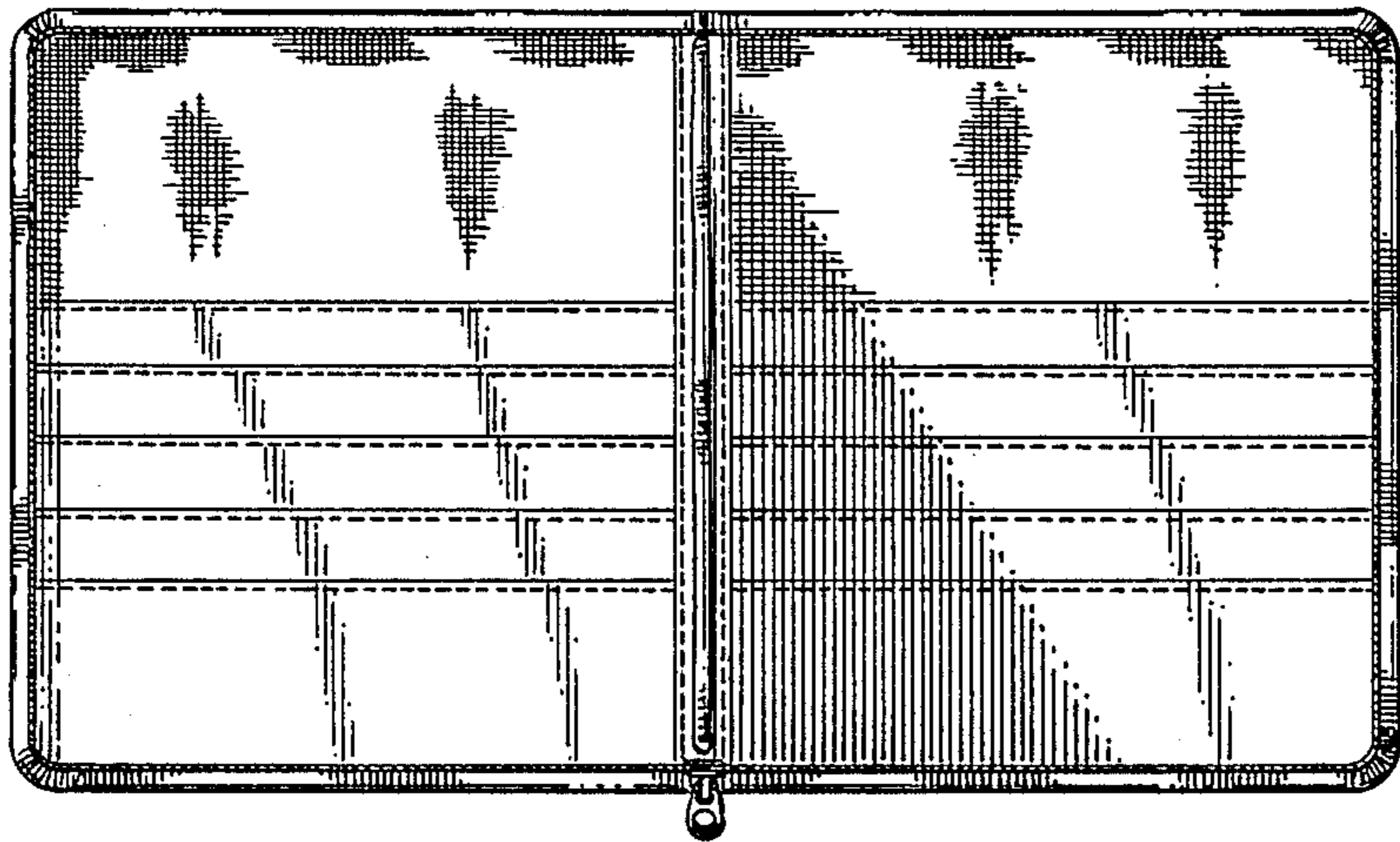


FIG. 11

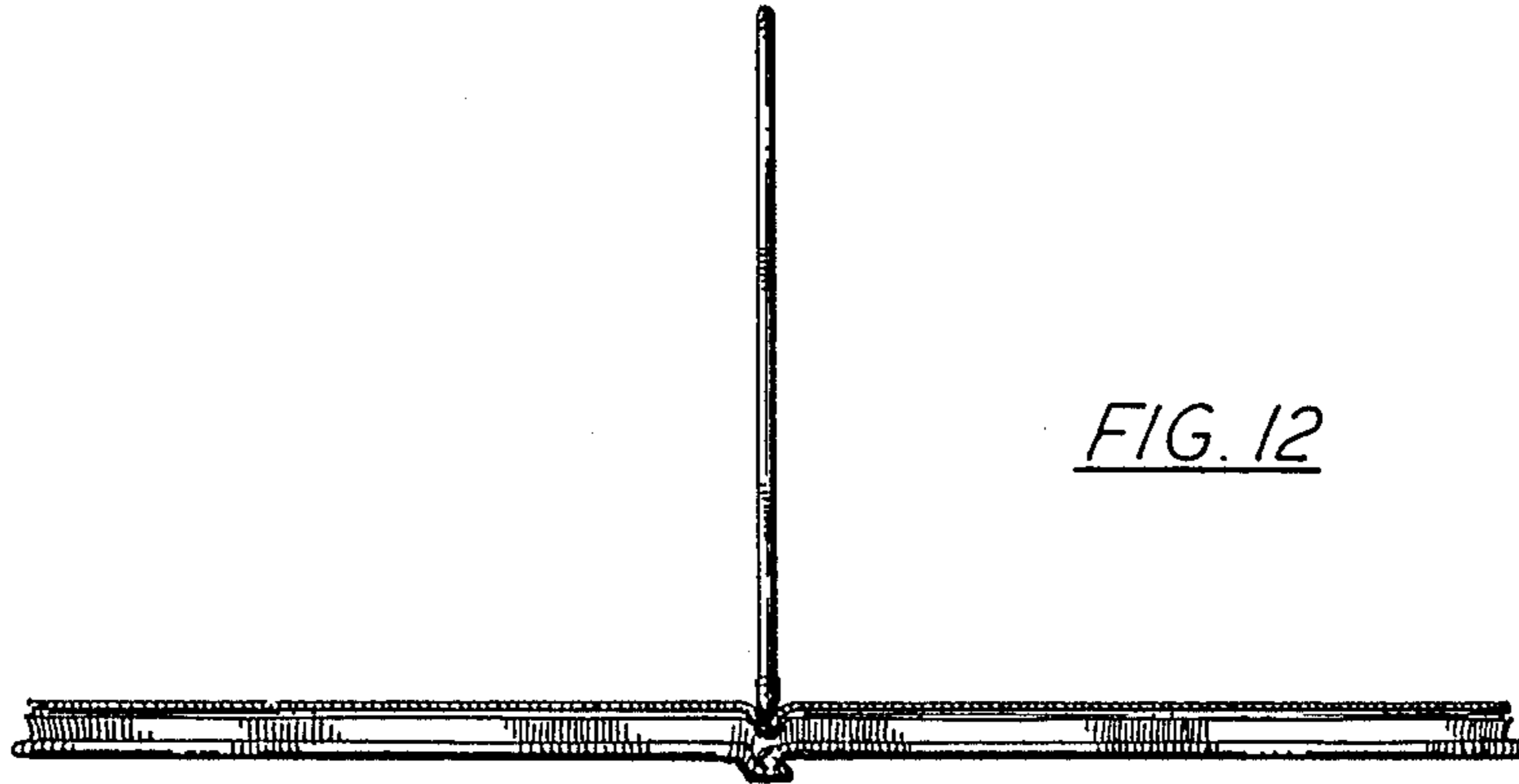


FIG. 12

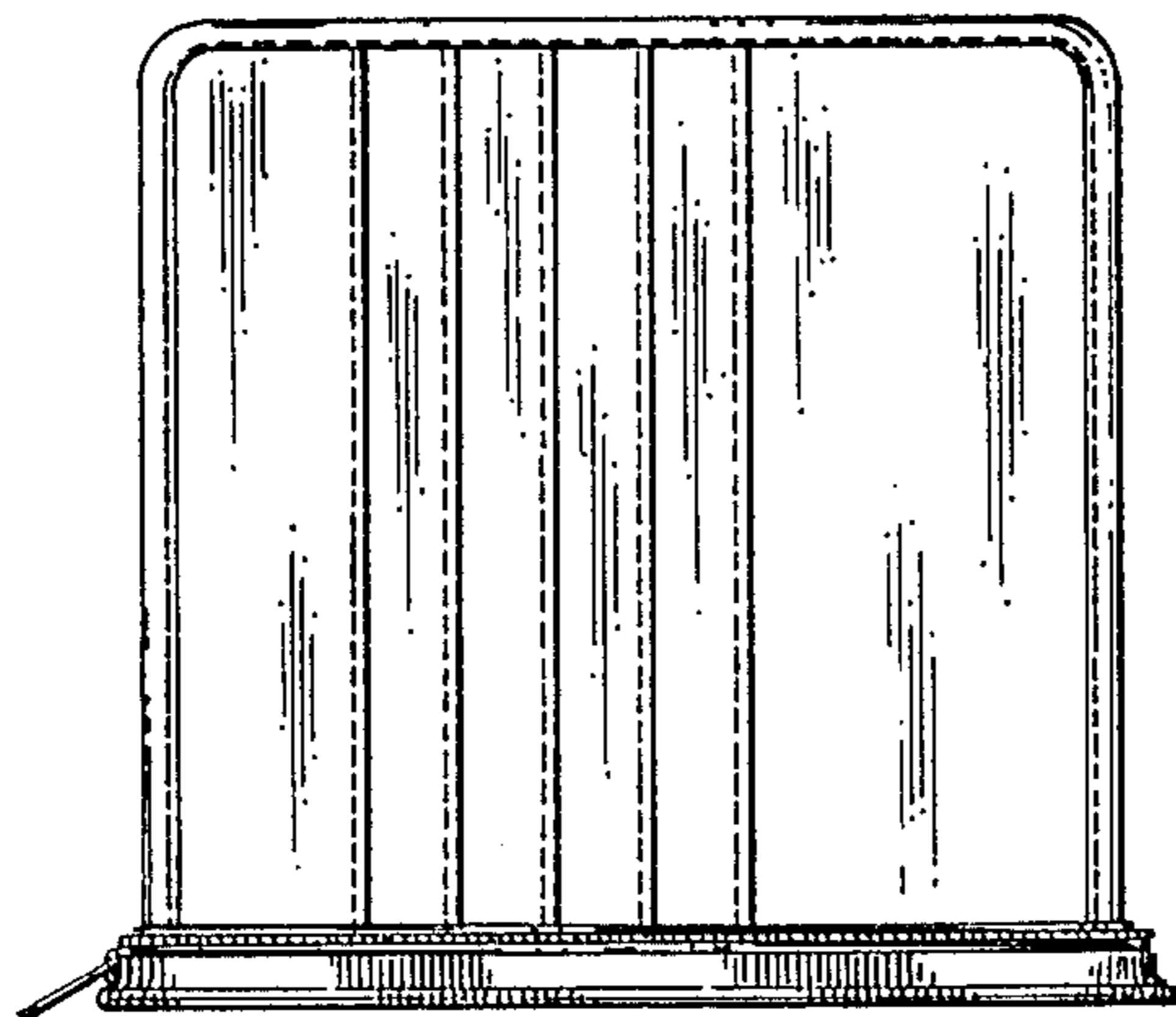


FIG. 13