

[54] **MEMORIAL MARKER**

[75] **Inventors:** Johnese W. Powell, Memphis; Willie Parks, Millington; Levisky Powell; Willie B. Jones, both of Memphis, all of Tenn.

[73] **Assignee:** Creative Markers, Inc., Memphis, Tenn.

[**] **Term:** 14 Years

[21] **Appl. No.:** 937,148

[22] **Filed:** Dec. 1, 1986

[52] **U.S. Cl.** D99/17

[58] **Field of Search** D99/17, 19; 52/38, 103, 52/302; 40/124.5

[56] **References Cited**

U.S. PATENT DOCUMENTS

- D. 94,664 2/1935 Cox D99/17
- D. 94,665 2/1935 Cox D99/17

Primary Examiner—A. Hugo Word
Attorney, Agent, or Firm—Walker & McKenzie

[57] **CLAIM**

The ornamental design for a memorial marker, as shown and described.

DESCRIPTION

FIG. 1 is perspective view of a memorial marker, showing our new design.

FIG. 2 is a rear elevational view thereof.

FIG. 3 is a front elevational view thereof.

FIG. 4 is a right side elevational view thereof, the left side being a substantial mirror image thereof.

FIG. 5 is a top plan view thereof.

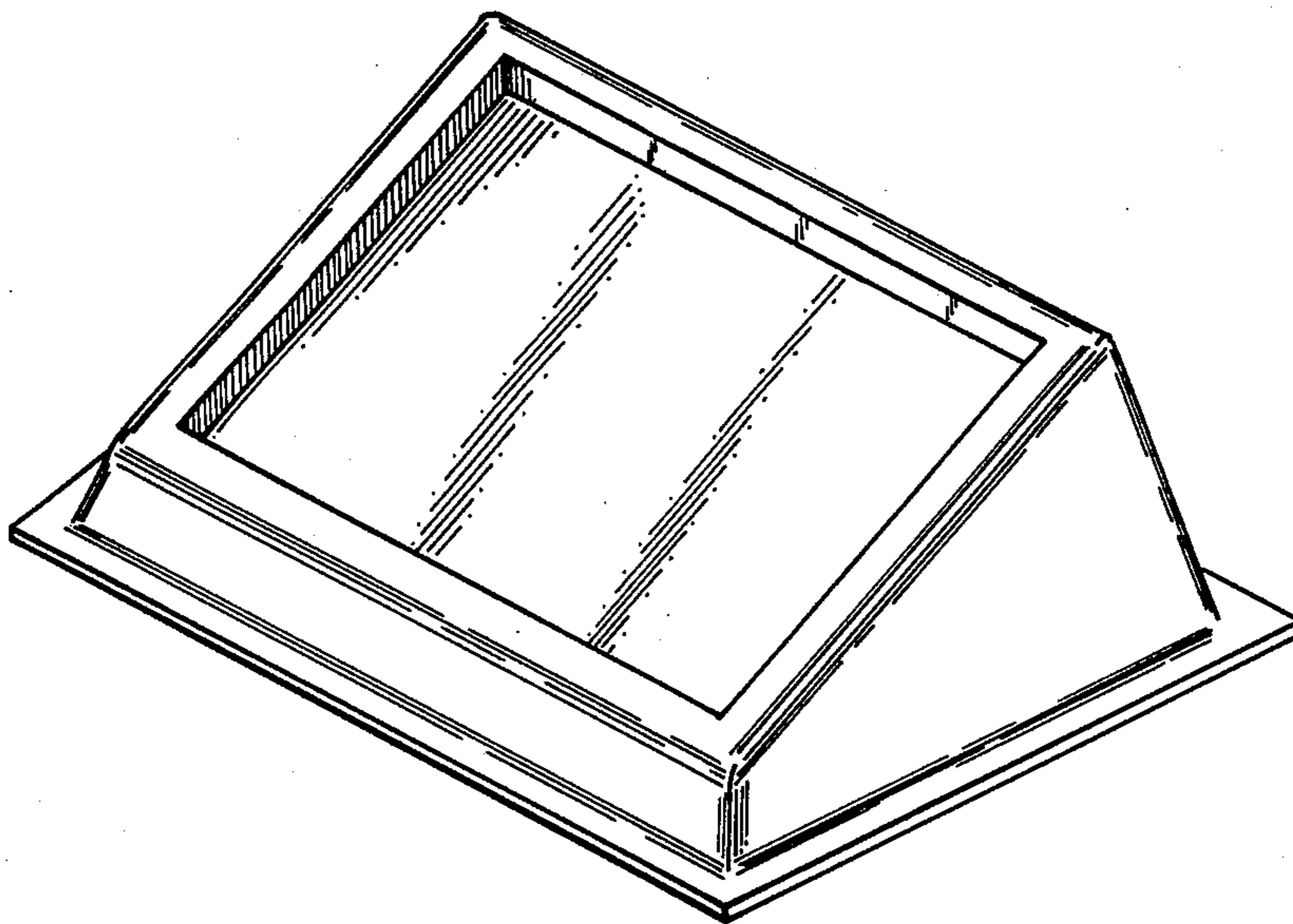


FIG. 1

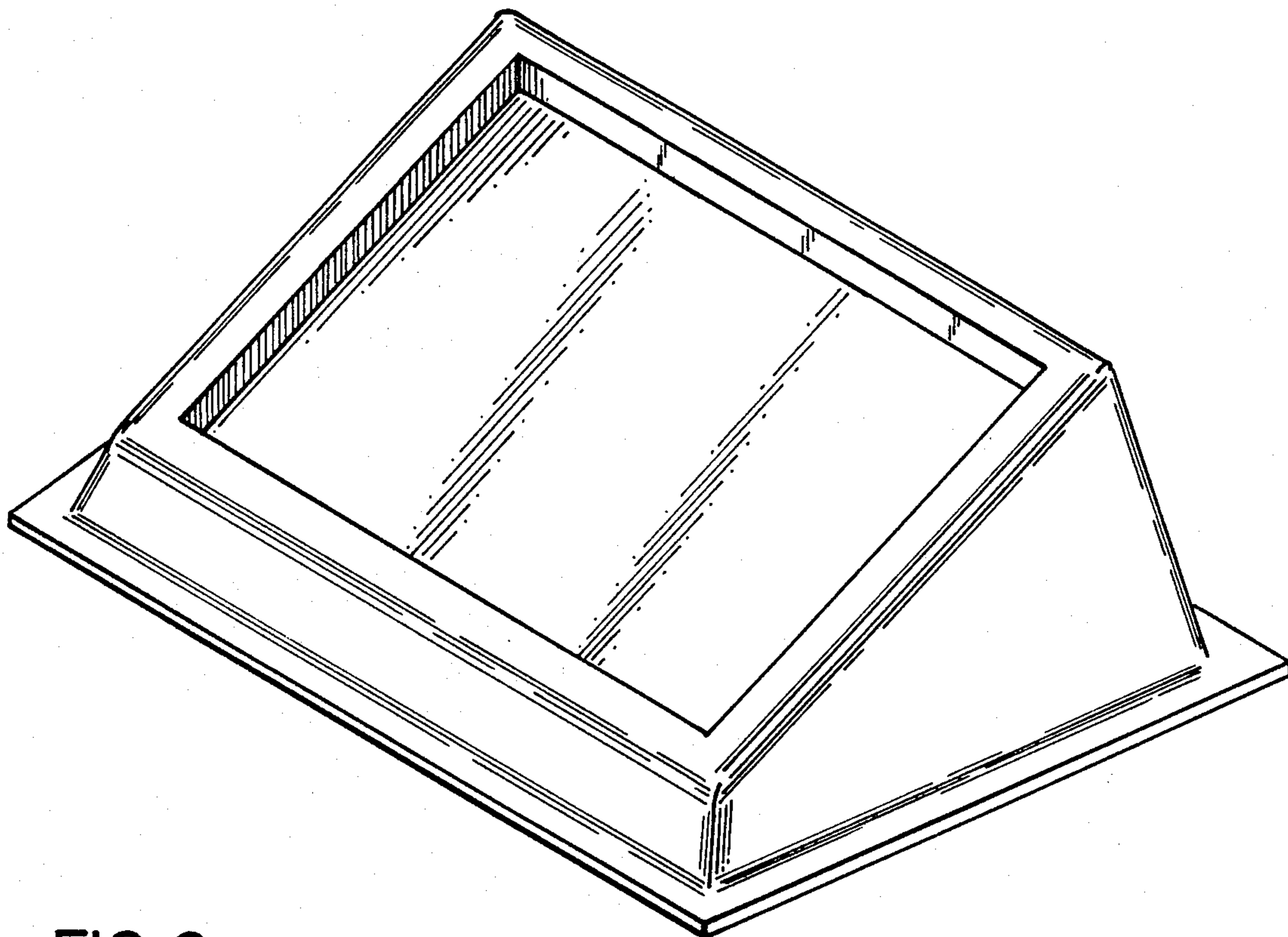


FIG. 2

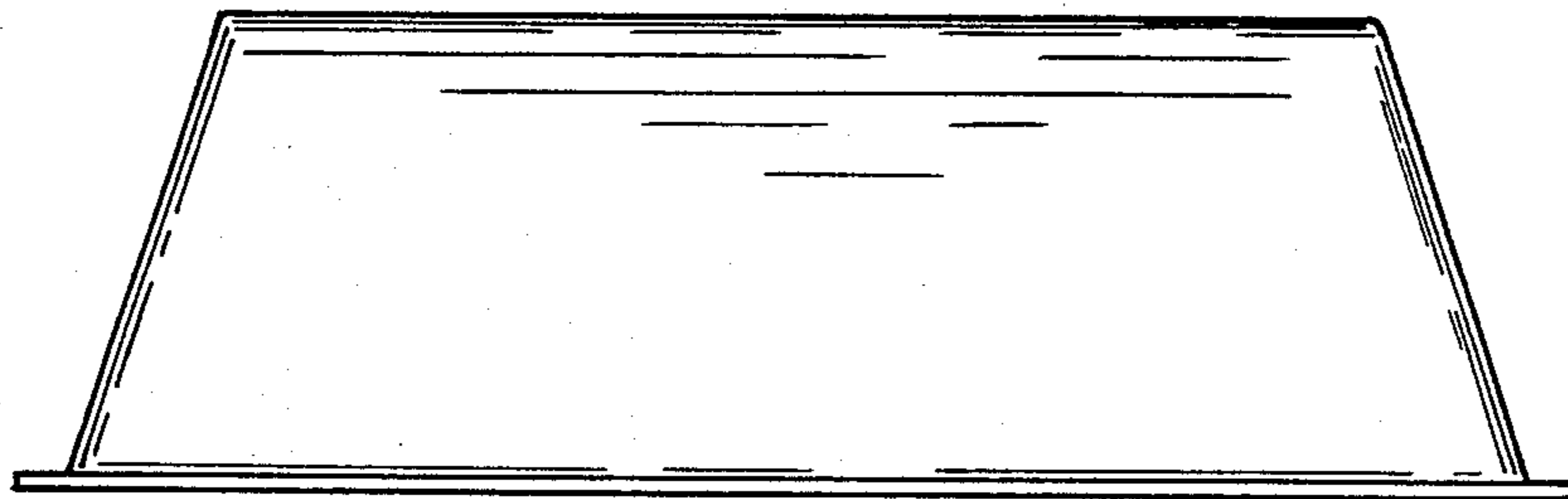


FIG. 3

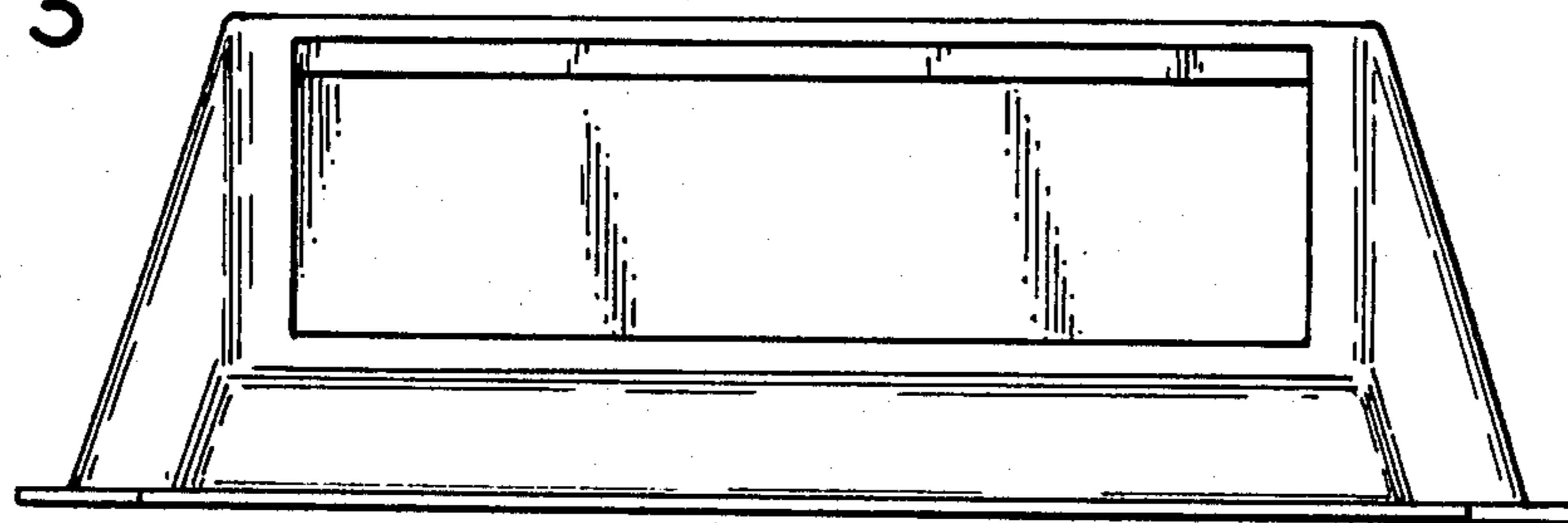


FIG. 4

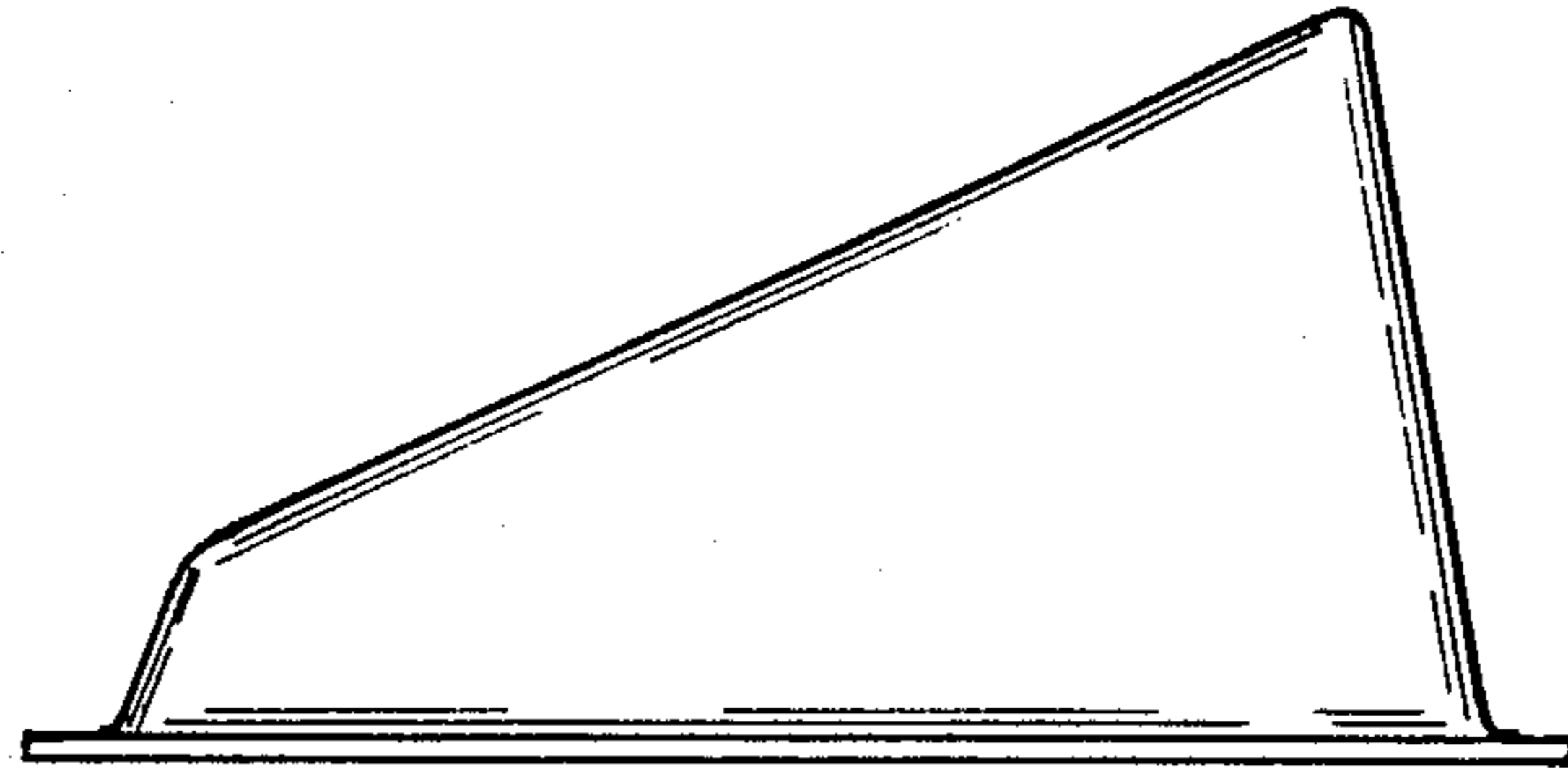


FIG. 5

