

[54] AUTOMOBILE HARDTOP STORAGE
CART/RACK

3,946,876 3/1976 Jay 211/60 R
3,953,047 4/1976 Morgan 280/639

[76] Inventor: Mark L. Ellis, 613 Marine Ave.,
Manhattan Beach, Calif. 90266

FOREIGN PATENT DOCUMENTS

1142007 2/1969 United Kingdom .

[**] Term: 14 Years

Primary Examiner—Wallace R. Burke
Assistant Examiner—Kay H. Chin
Attorney, Agent, or Firm—Kelly, Bauersfeld & Lowry

[21] Appl. No.: 7,891

[22] Filed: Jan. 28, 1987

[52] U.S. Cl. D34/31; D34/17;
D34/28

[57] CLAIM

The ornamental design for an automobile hardtop stor-
age cart/rack, as shown and described.

[58] Field of Search D34/17, 28, 31; 269/17,
269/71; 254/2 B; 248/421; 280/47.34, 79.1 A,
79.3, 36 R

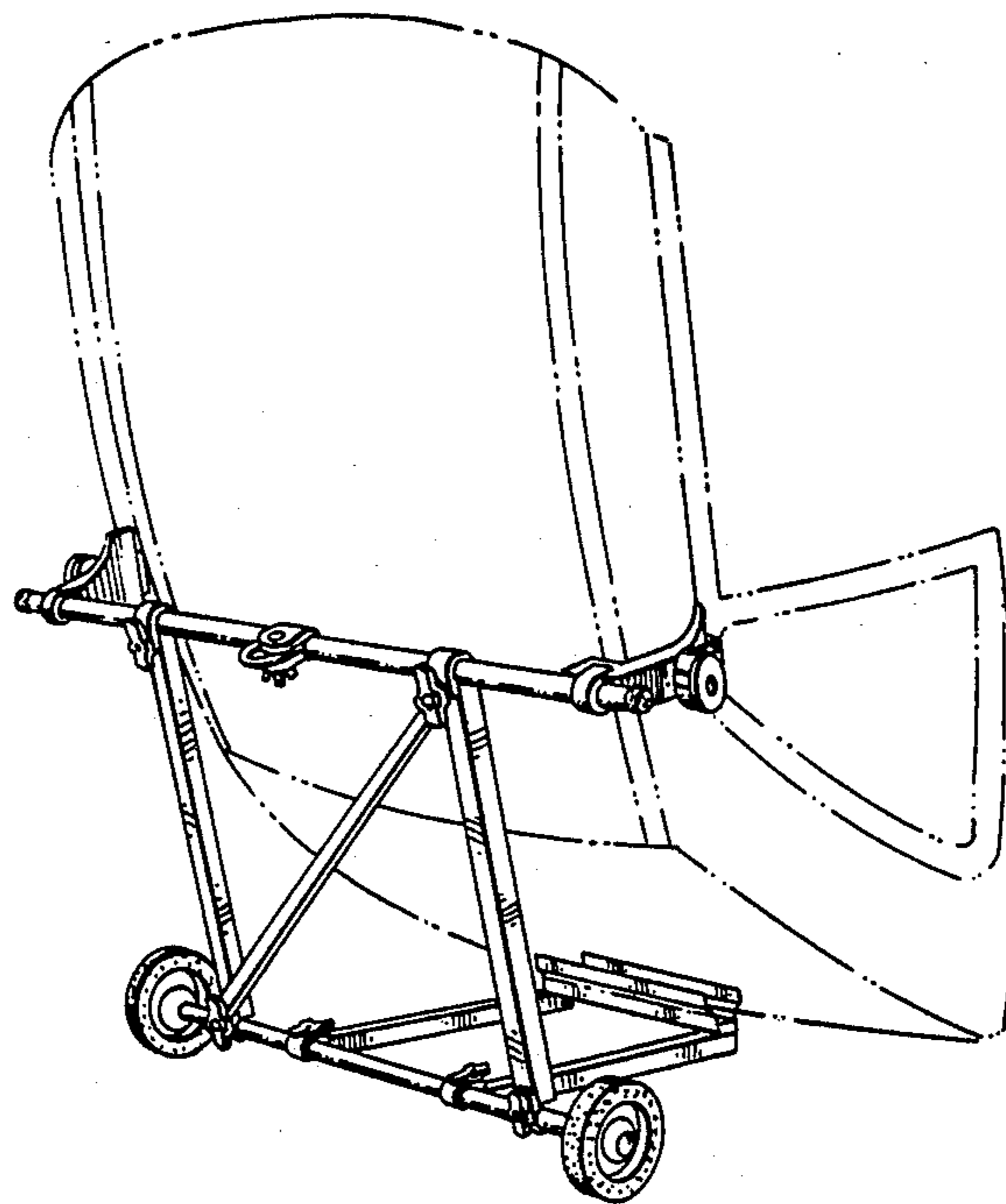
DESCRIPTION

FIG. 1 is a front perspective view of an automobile
hardtop storage cart/rack showing my new design, the
broken lines are for illustrative purposes only;
FIG. 2 is an enlarged right side elevational view
thereof.
FIG. 3 is a front elevational view thereof;
FIG. 4 is a left side elevational view thereof;
FIG. 5 is a rear elevational view thereof;
FIG. 6 is a top plan view thereof; and
FIG. 7 is a bottom plan view thereof.

[56] References Cited

U.S. PATENT DOCUMENTS

- D. 232,625 9/1974 Shifiet D34/17
- D. 237,597 11/1975 Clarke et al. D34/17
- D. 265,517 7/1982 Dunchock D34/17
- 2,827,690 3/1958 Brown 269/17
- 3,381,953 5/1968 Miller 269/17
- 3,508,746 4/1970 Lindsay 269/17
- 3,746,358 7/1973 Swick, Jr. et al. 280/36 R



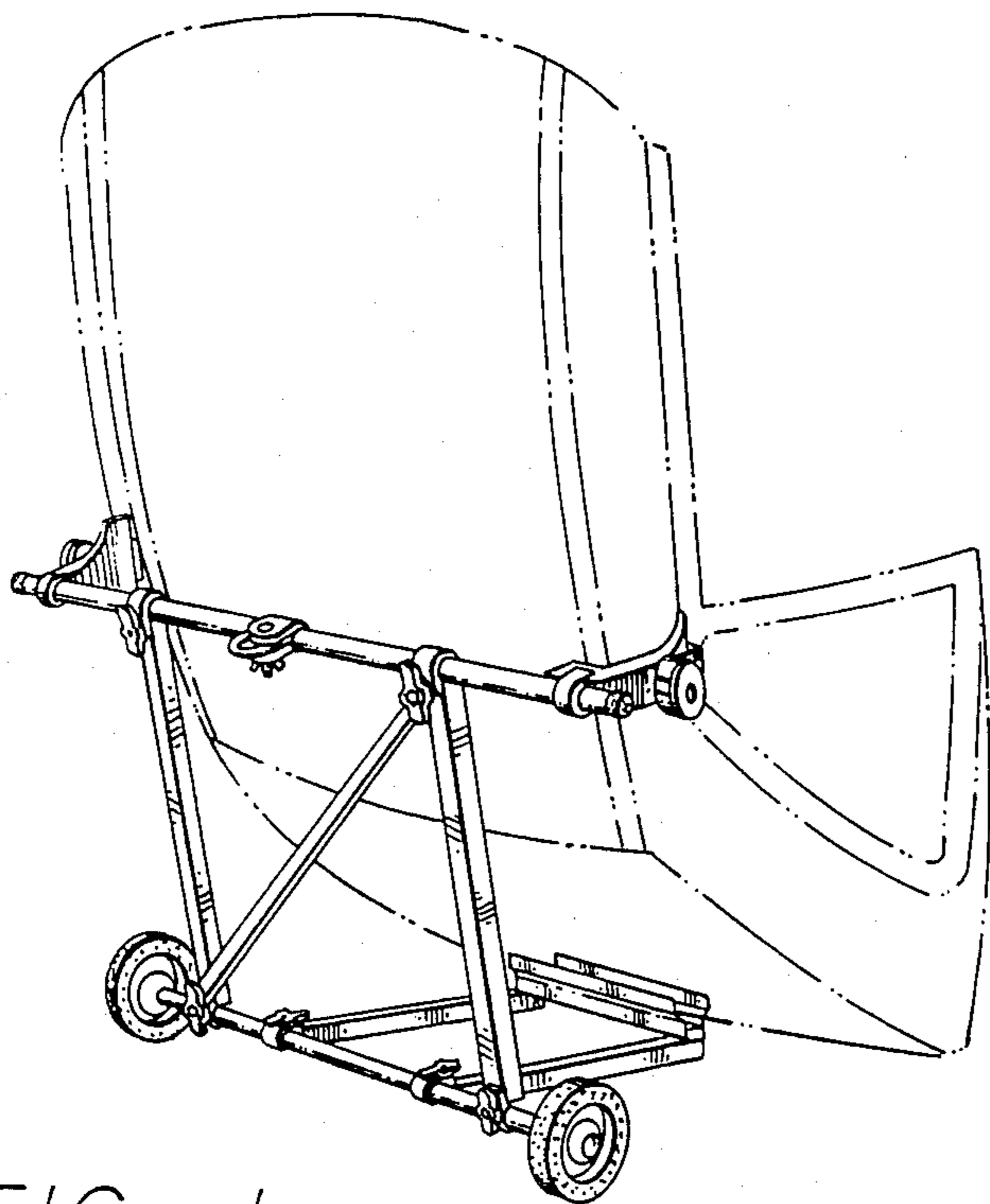


FIG. 1

FIG. 2

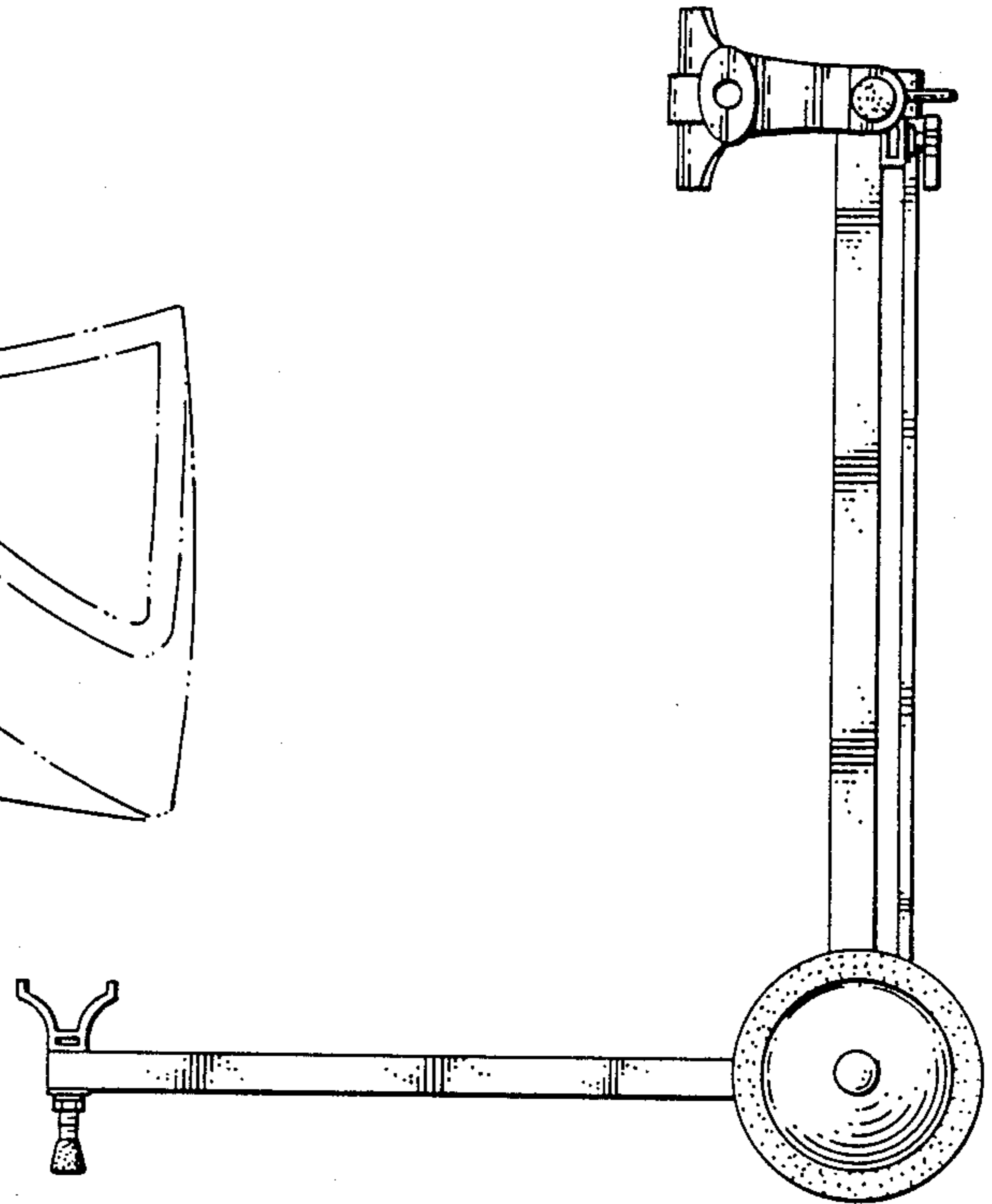
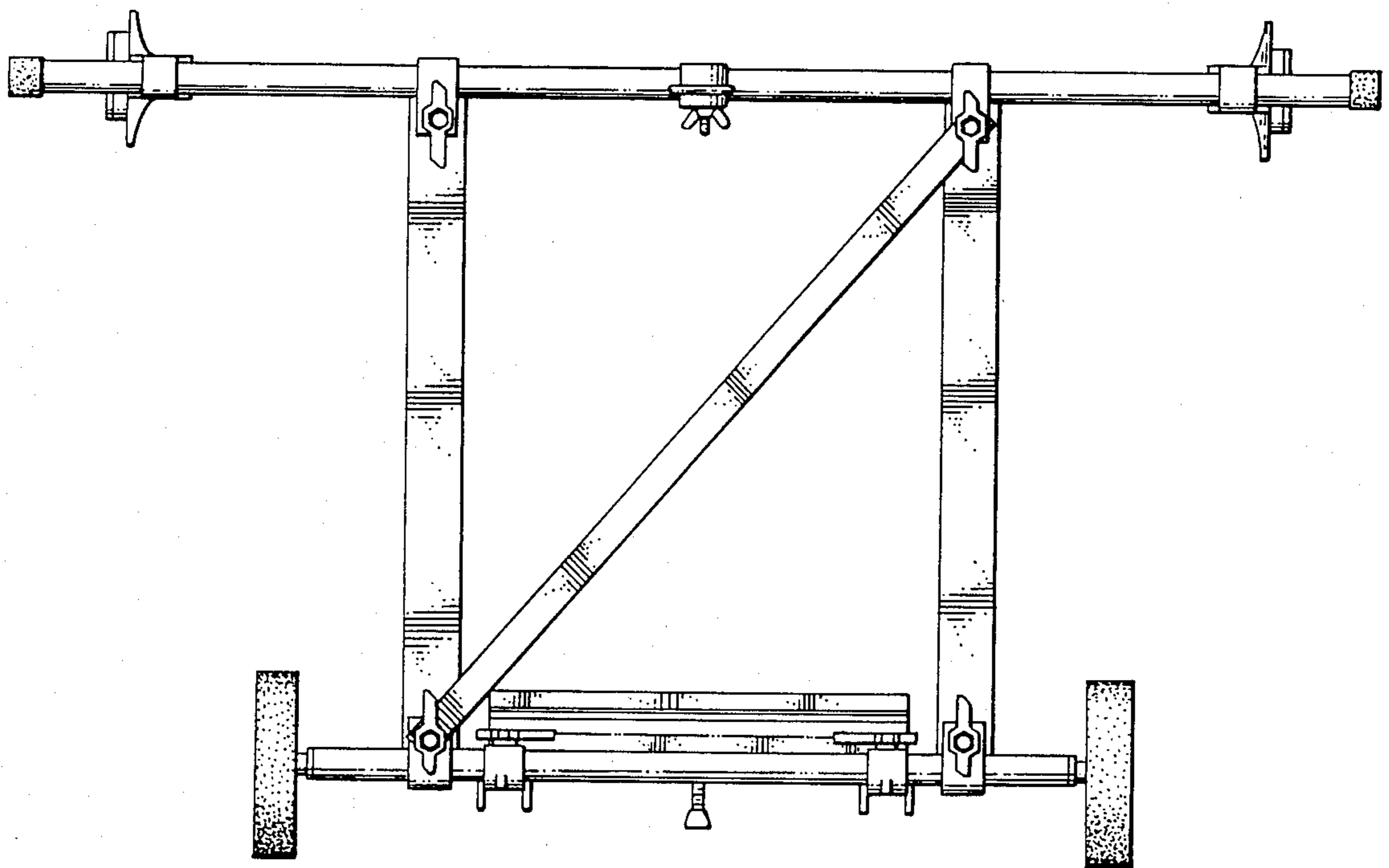


FIG. 3



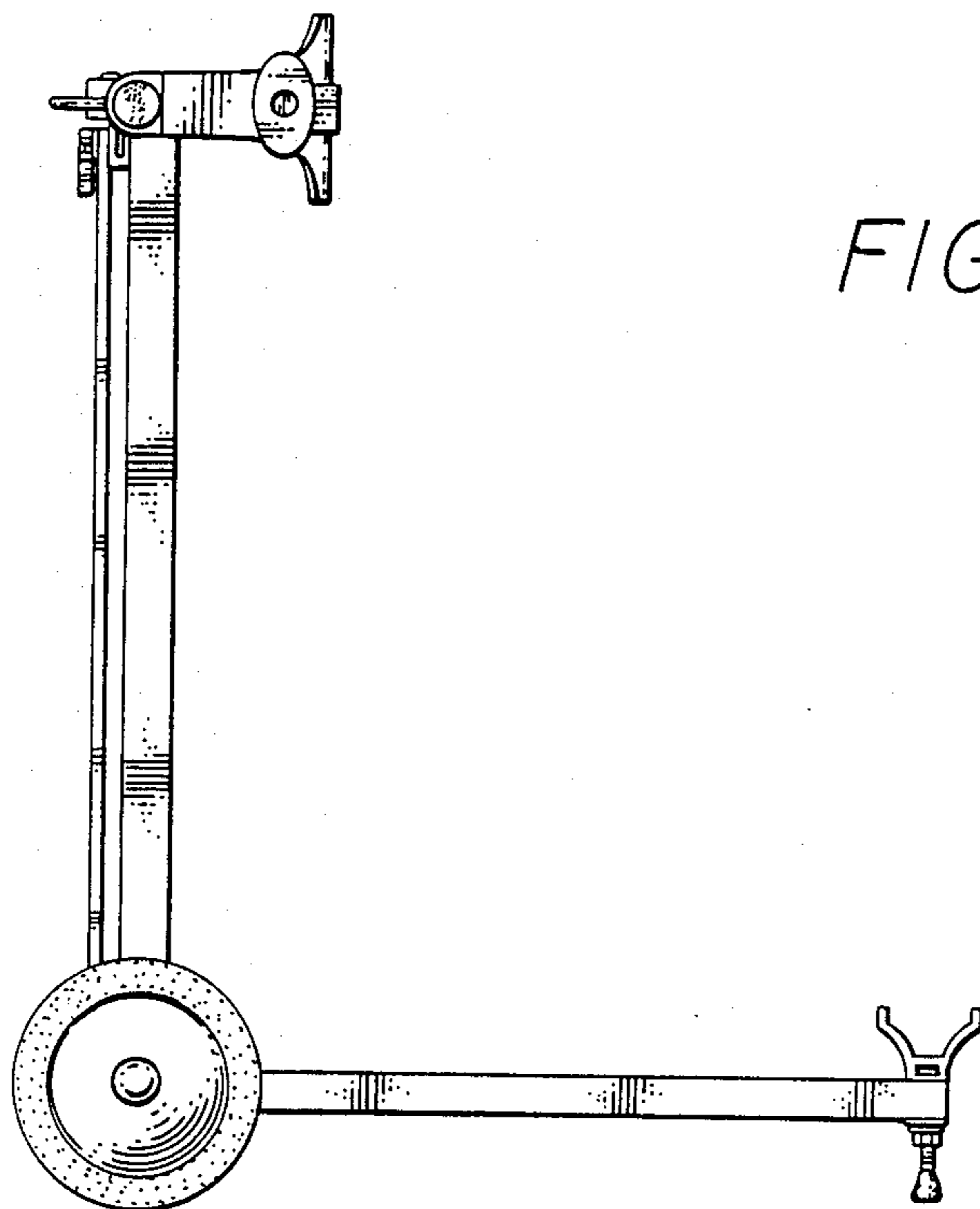


FIG. 4

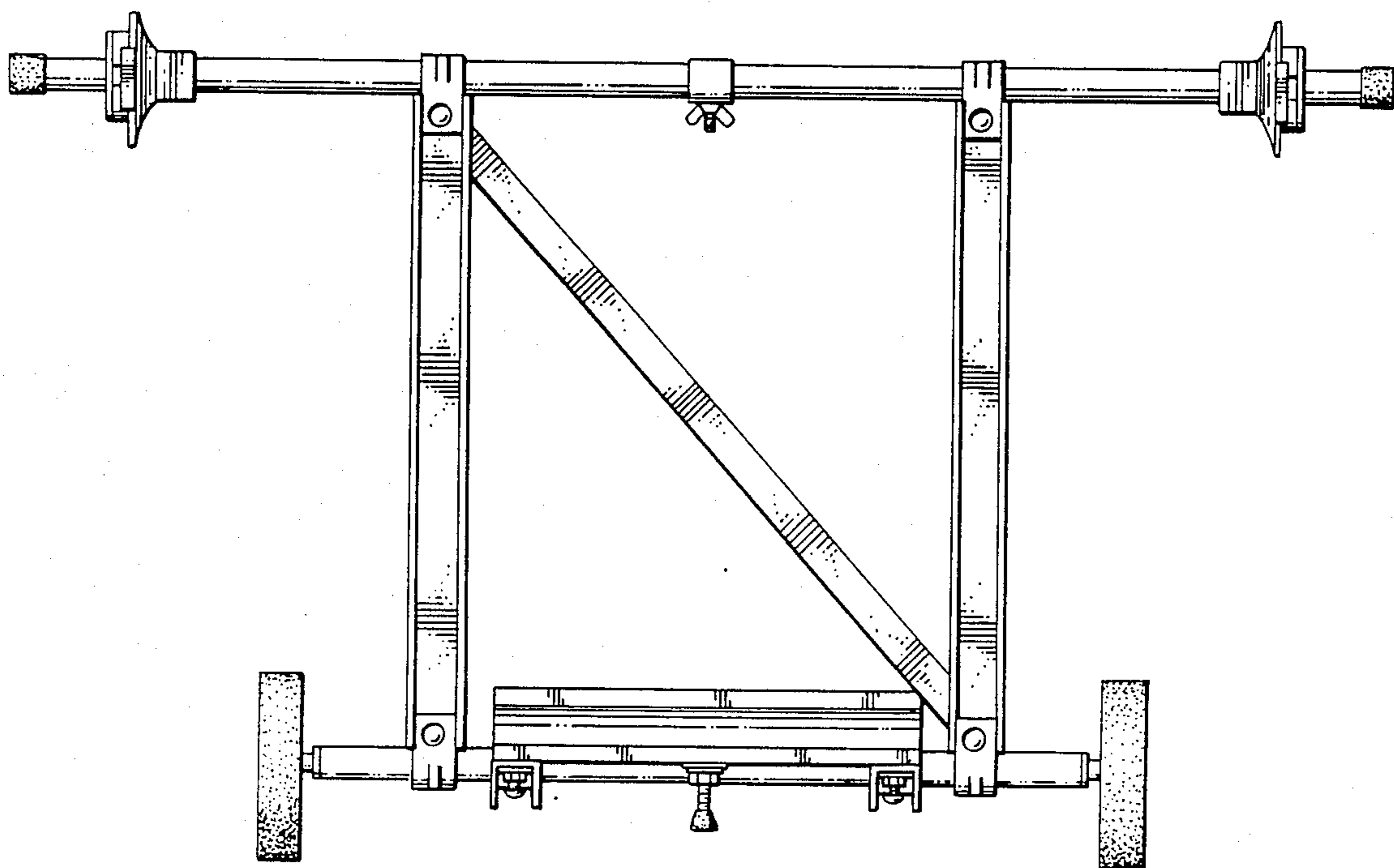


FIG. 5

FIG. 6

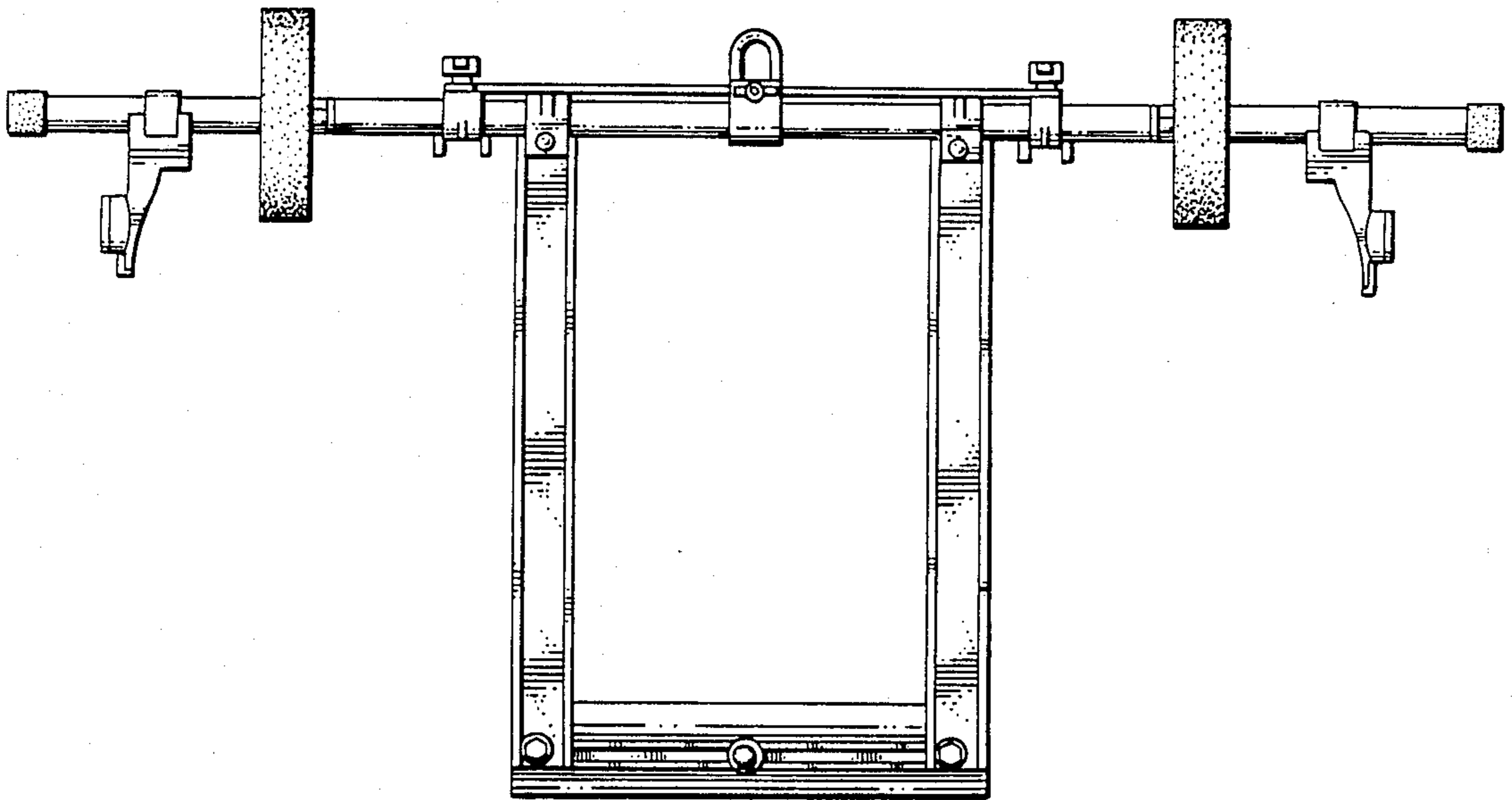
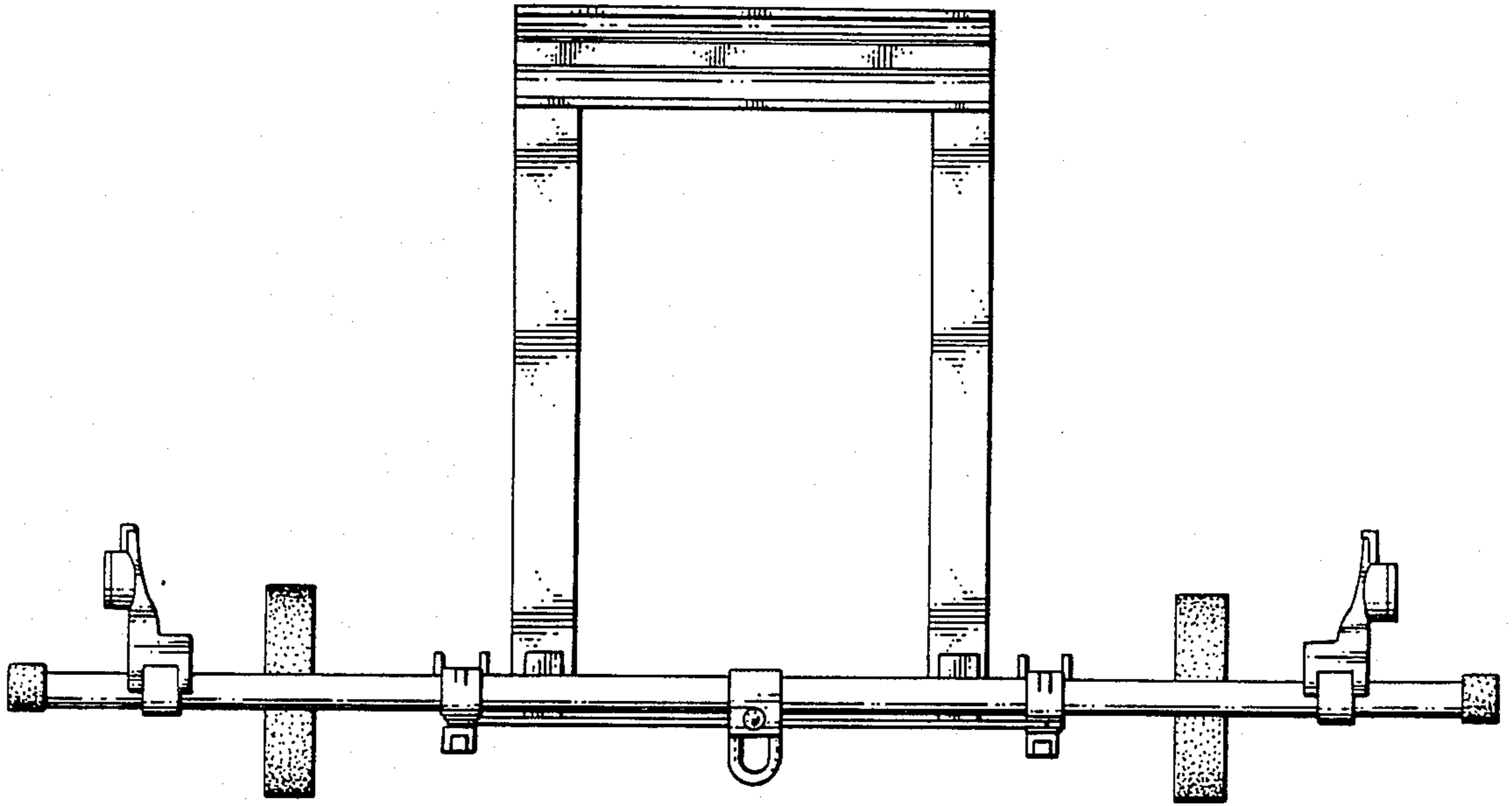


FIG. 7