

[54] BUCKET CART

[76] Inventor: Donald W. Friskey, 2225 10th Avenue Ct., Greeley, Colo. 80631

[**] Term: 14 Years

[21] Appl. No.: 876,344

[22] Filed: Jun. 19, 1986

[52] U.S. Cl. D34/23; D34/26

[58] Field of Search D34/17, 23, 21, 26; 280/79.1 A, 47.34, 79.2, 79.3, 47.35; 211/126, 133

3,907,117	9/1975	Williams	D34/17
4,222,580	9/1980	Krokonko	280/47.34
4,313,612	2/1982	Rubens	280/79.1 A
4,458,906	7/1984	Lamson	D34/17
4,744,474	5/1988	Tallving	211/133

Primary Examiner—Wallace R. Burke
Assistant Examiner—Kay H. Chin
Attorney, Agent, or Firm—W. C. Tupman

[57] CLAIM

The ornamental design for a bucket cart, as shown and described.

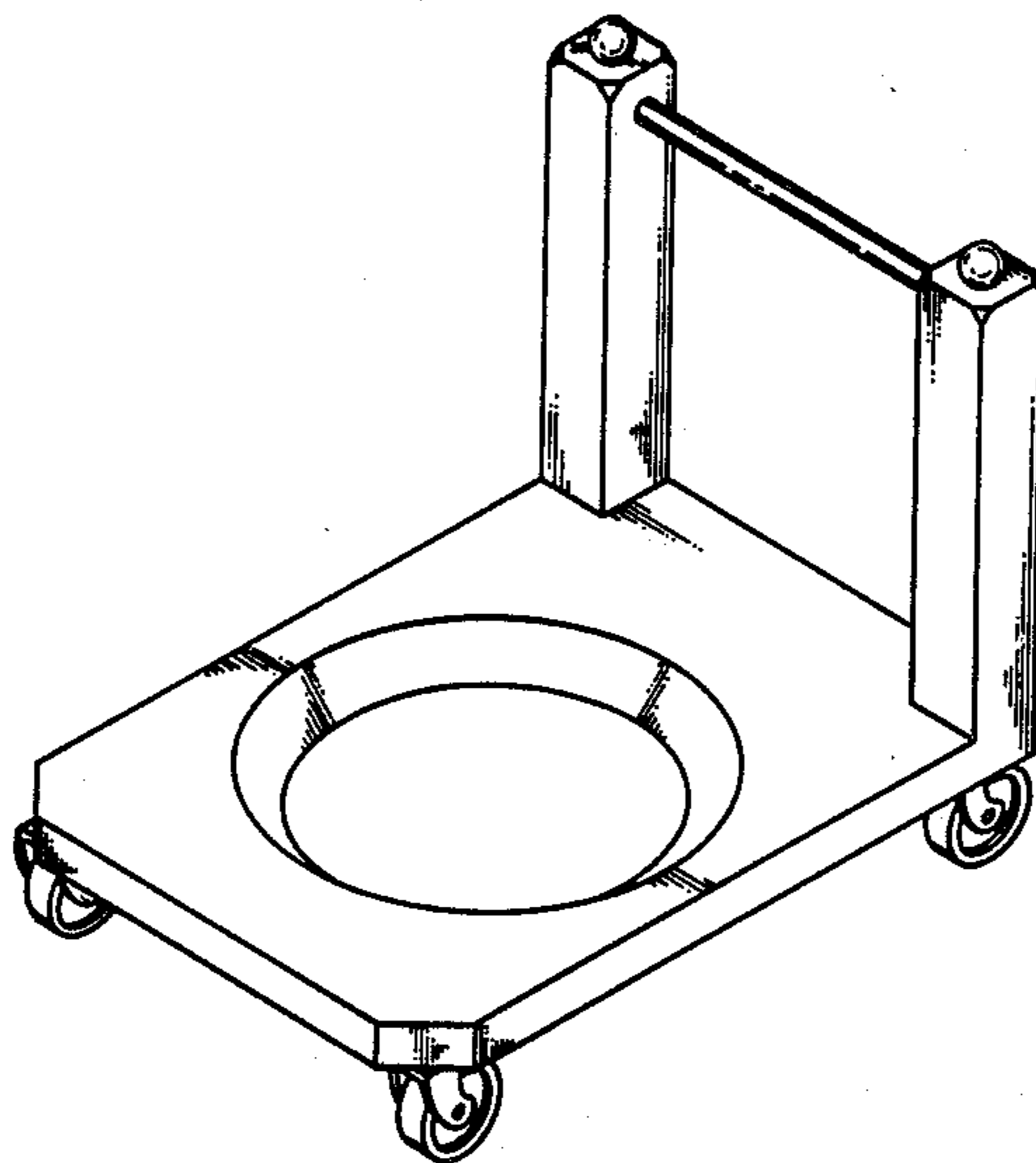
DESCRIPTION

FIG. 1 is a top plan view of a bucket cart showing my new design;
FIG. 2 is a side elevational view thereof, the opposite side elevational view being a mirror image of that shown;
FIG. 3 is a right end elevational view thereof;
FIG. 4 is a left end elevational view thereof;
FIG. 5 is a top perspective view thereof.

[56] References Cited

U.S. PATENT DOCUMENTS

D. 219,649	1/1971	Saleman	D34/23
2,470,054	5/1949	Schildmeier	280/47.34
2,862,220	12/1958	Orr	15/257
3,031,207	4/1962	Bard	280/47.34
3,734,526	5/1973	Propst et al.	211/136
3,830,164	8/1974	Biessener	D34/17



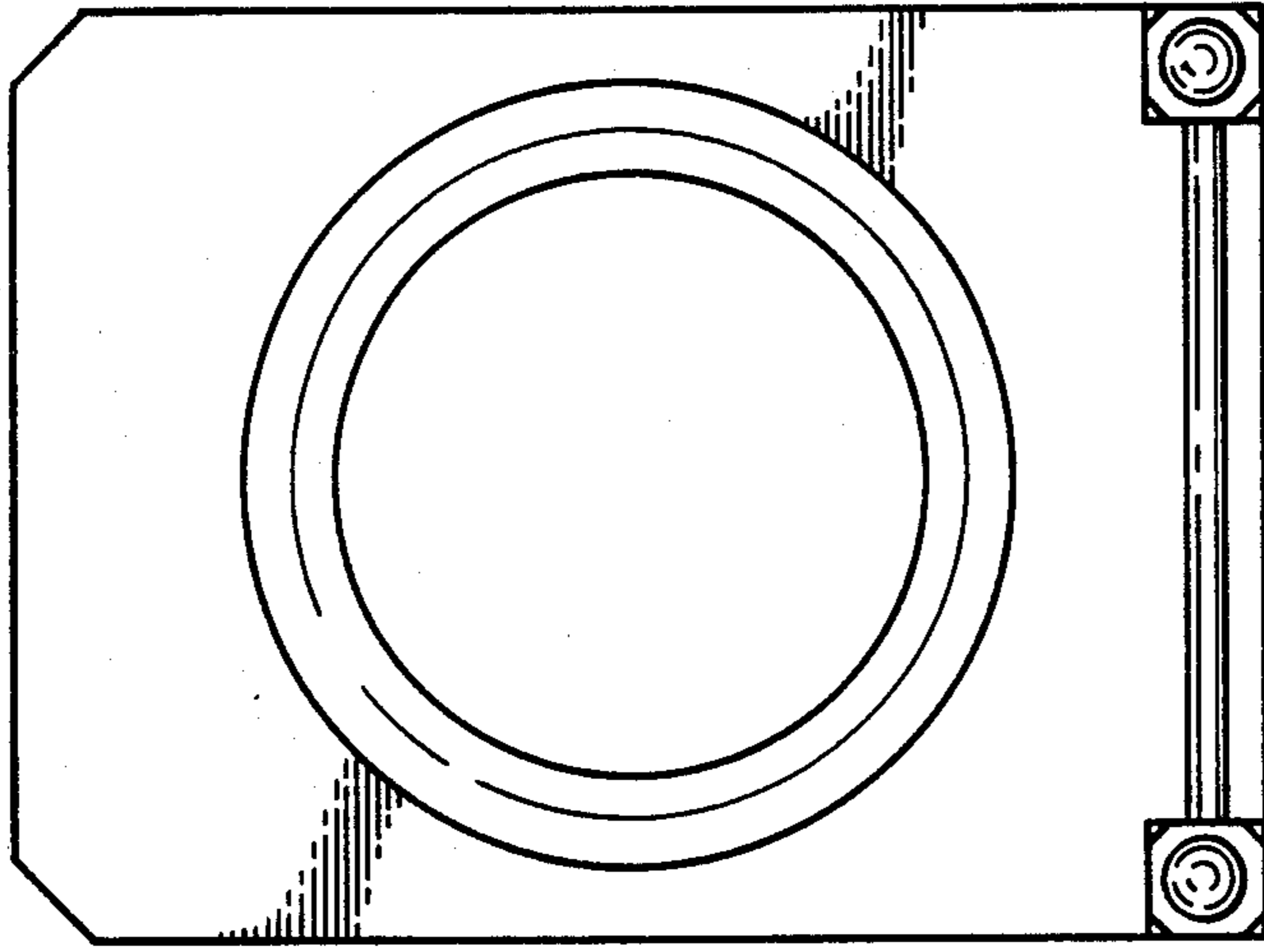


Fig. 1

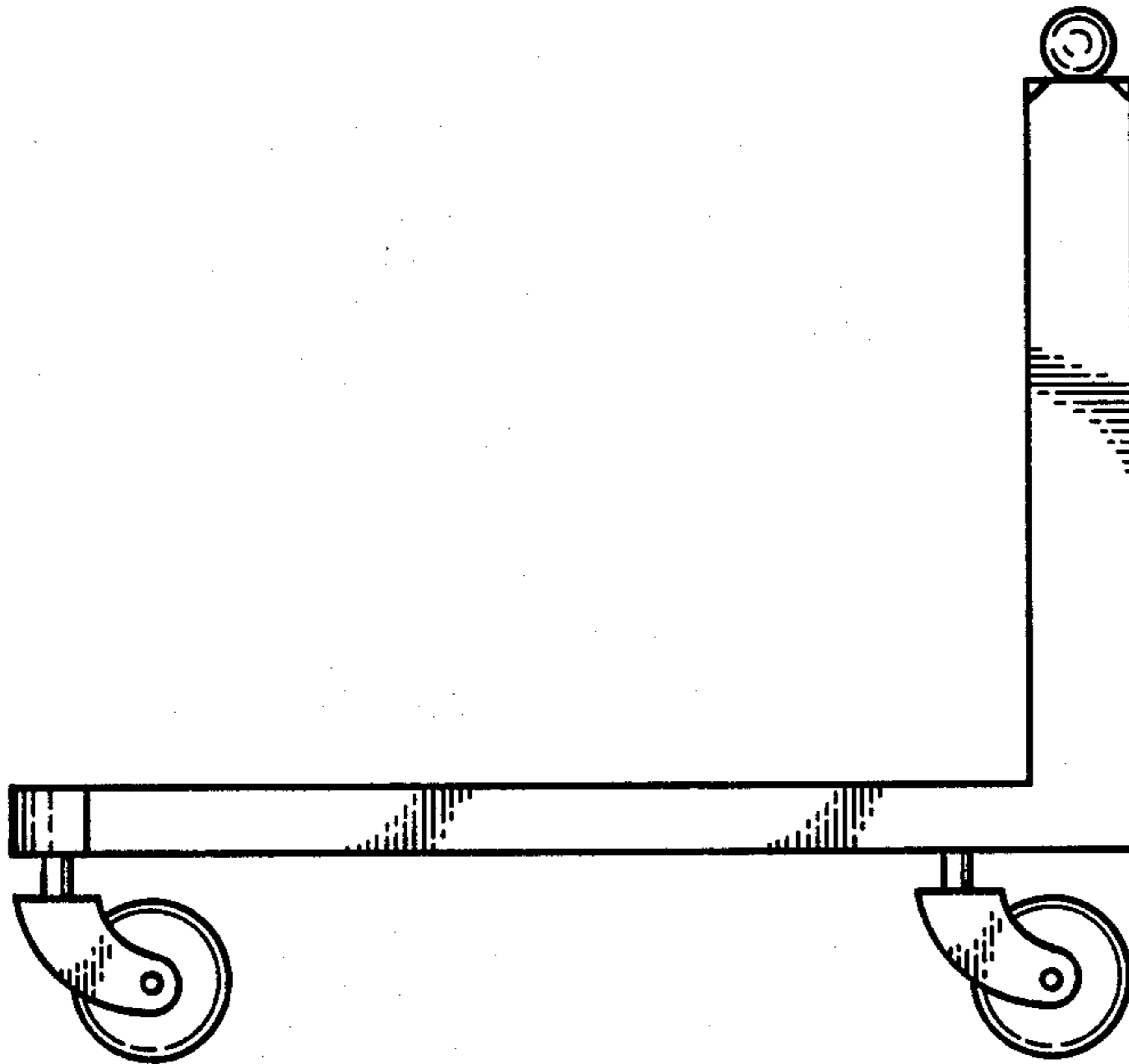


Fig. 2

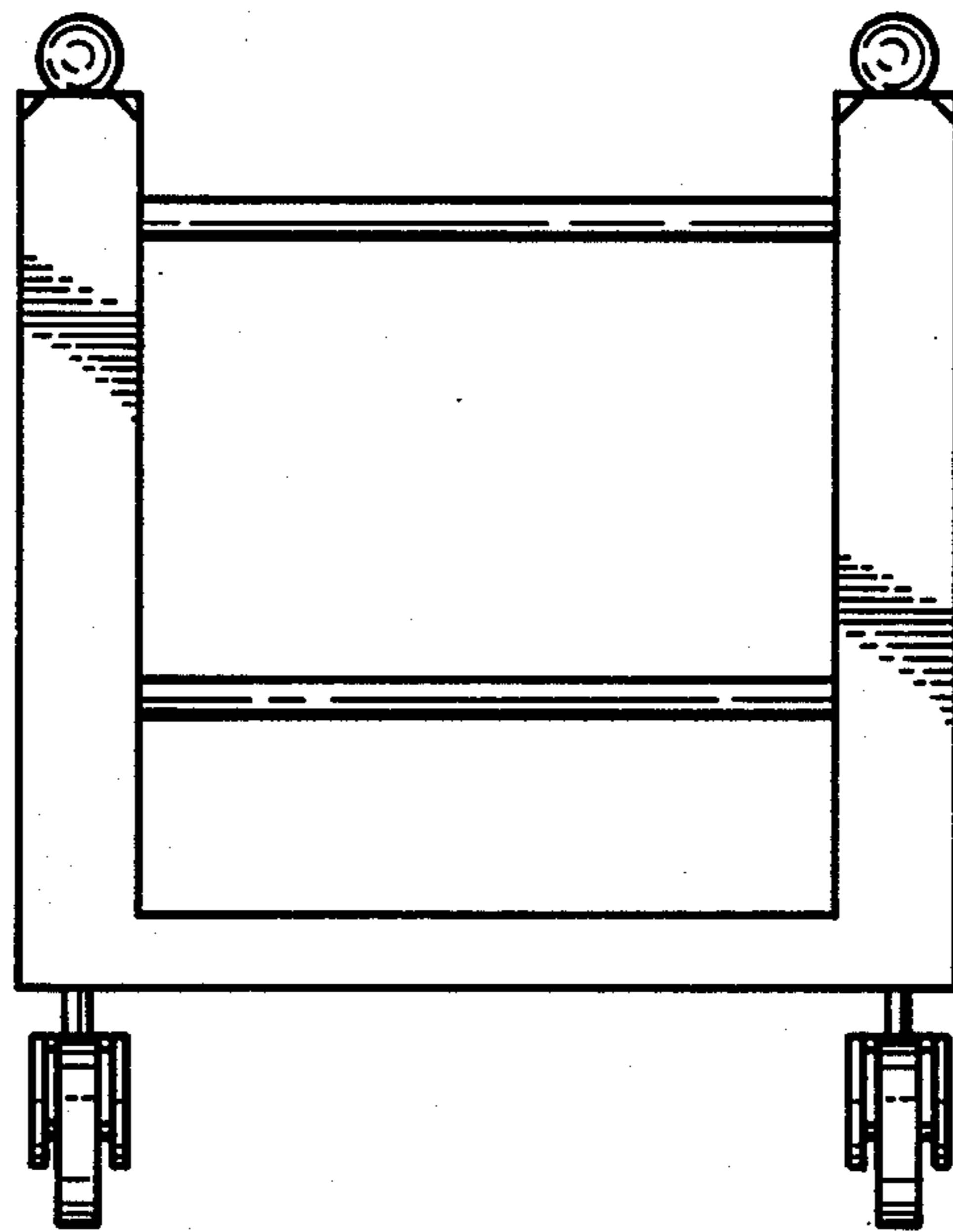


Fig. 3

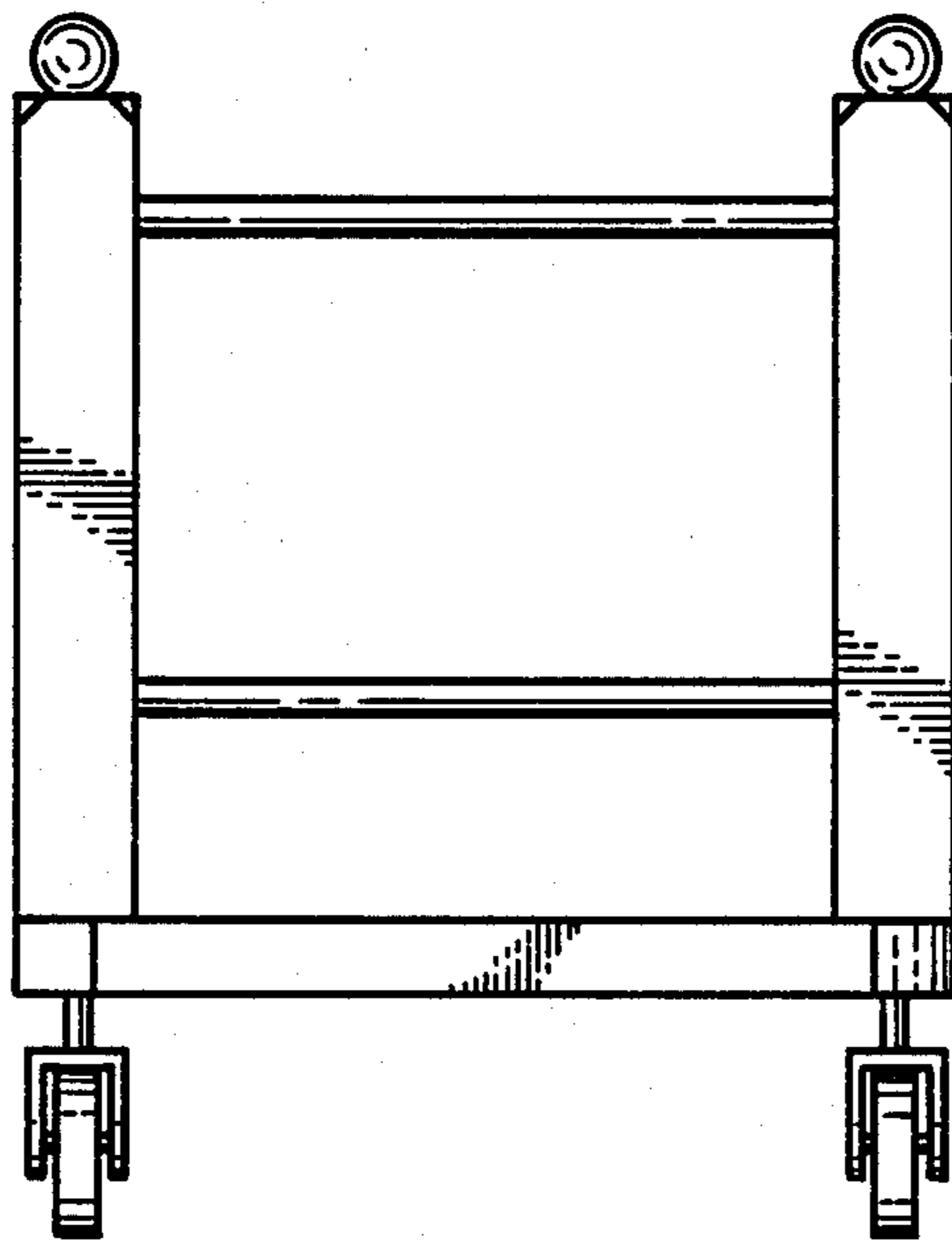


Fig. 4

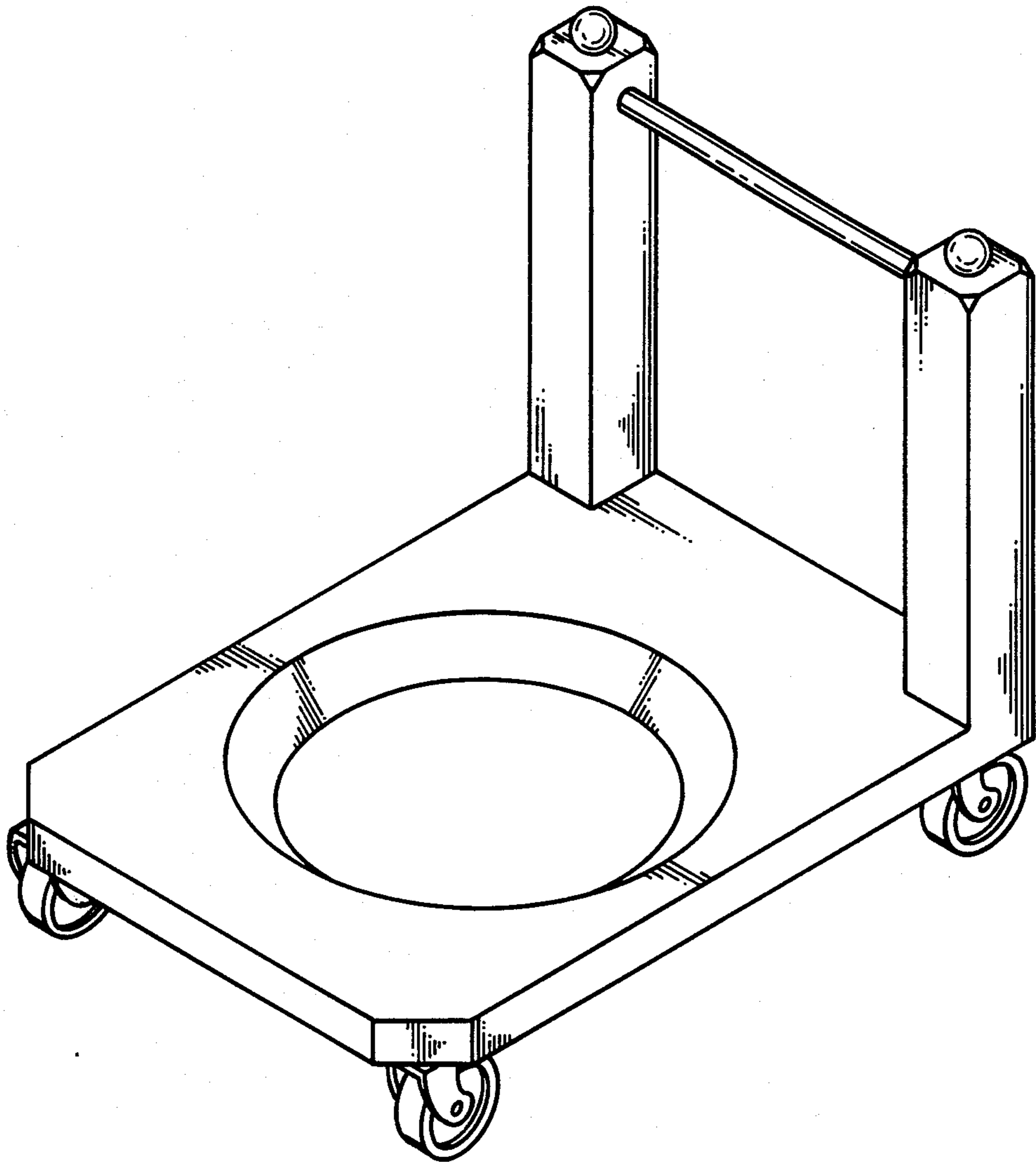


Fig. 5