

[54] GOLF CART

4,657,100 4/1987 Lewis ..... 180/19.1

[76] Inventor: Ching C. Lee, No. 281, Cherng Der Rd., Taipei, Taiwan

Primary Examiner—Wallace R. Burke

Assistant Examiner—Kay H. Chin

Attorney, Agent, or Firm—Clifford A. Poff

[\*\*] Term: 14 Years

[21] Appl. No.: 114,388

[57] CLAIM

The ornamental design for a golf cart, as shown and described.

[22] Filed: Oct. 30, 1987

[52] U.S. Cl. .... D34/15

[58] Field of Search ..... D34/15, 12, 18; 280/DIG. 5, DIG. 6, 62, 646; 180/11, 19.3, 19.1, 19.2, 65.6; 248/96

DESCRIPTION

FIG. 1 is a front perspective view of a golf cart showing my new design;

FIG. 2 is a top plan view thereof;

FIG. 3 is a bottom plan view thereof.

FIG. 4 is a right side elevational view thereof;

FIG. 5 is a left side elevational view thereof;

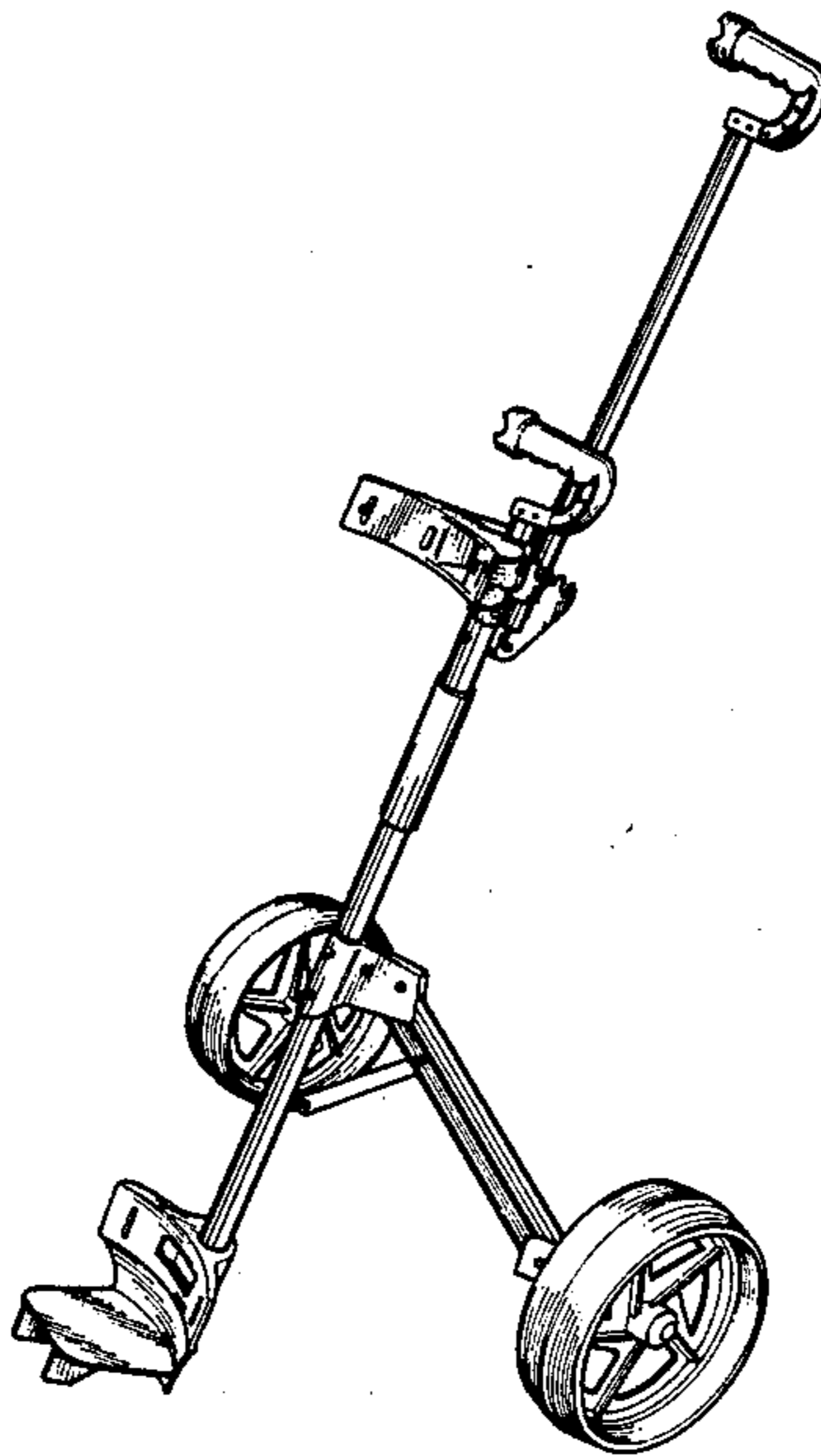
FIG. 6 is a front elevational view thereof; and

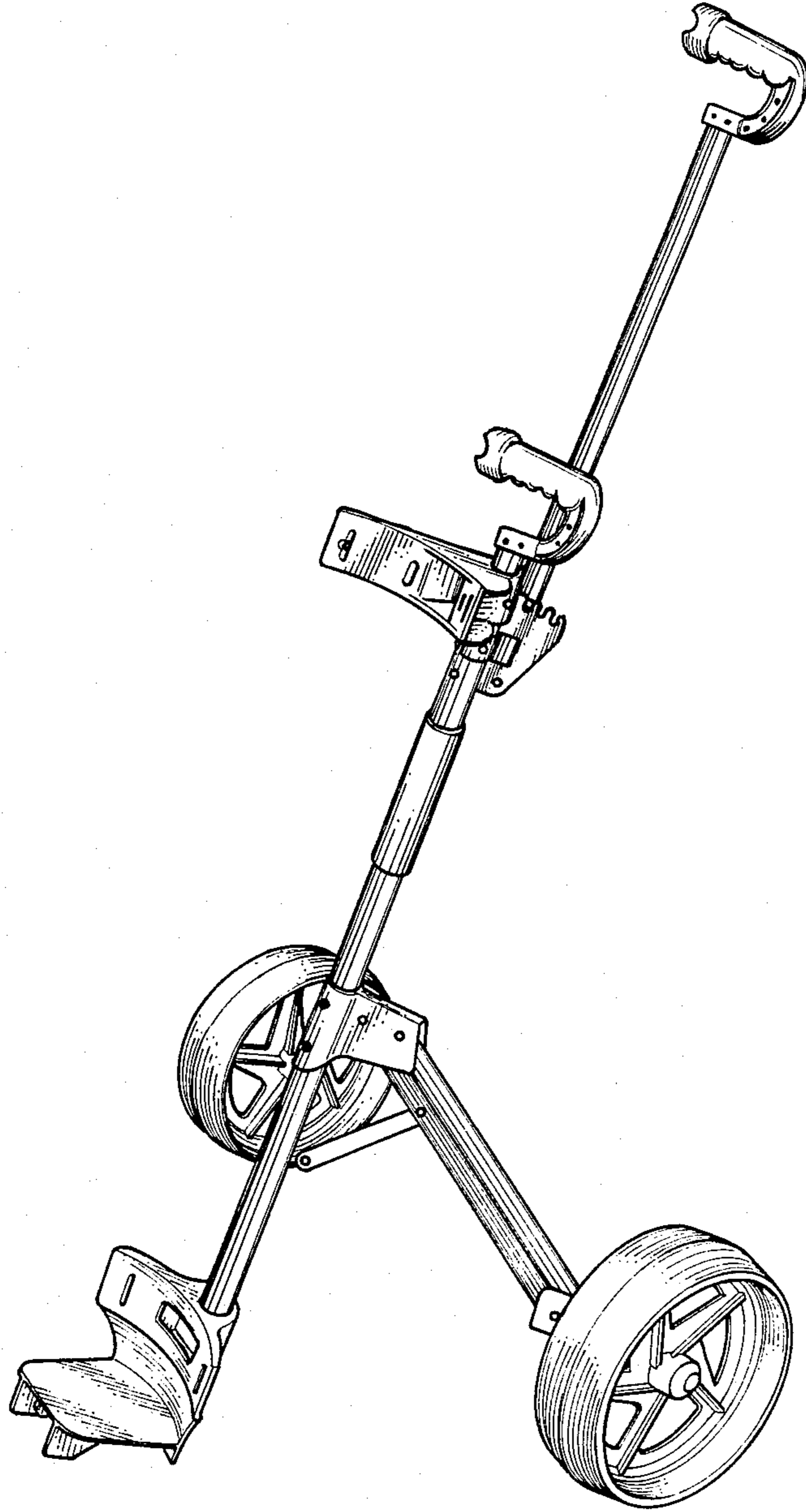
FIG. 7 is a rear elevational view thereof.

[56] References Cited

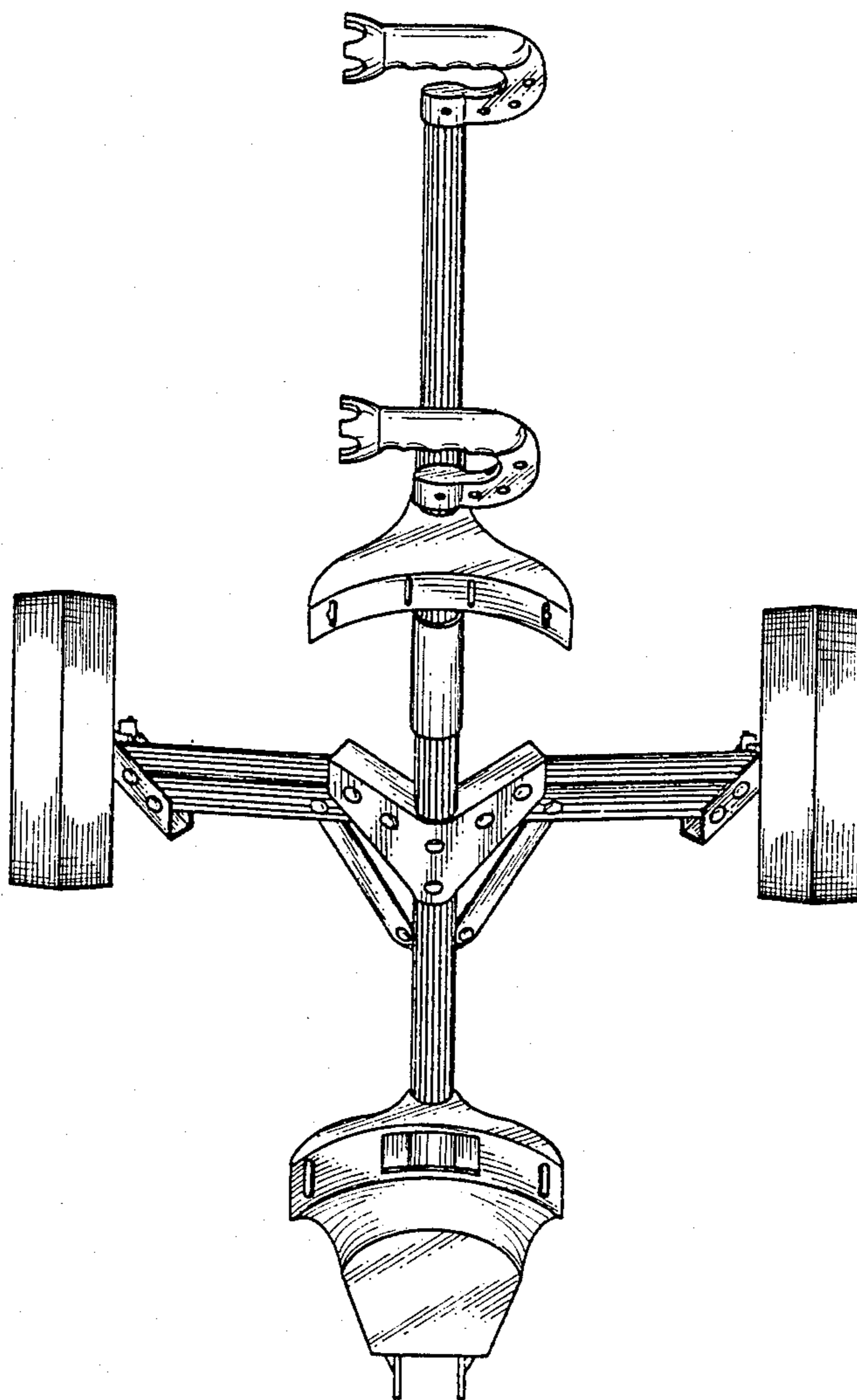
U.S. PATENT DOCUMENTS

- D. 292,038 9/1987 Hsieh ..... D34/15
- 3,820,617 6/1974 Groff ..... 280/DIG. 5
- 3,867,993 2/1975 Iizuka ..... 280/DIG. 5

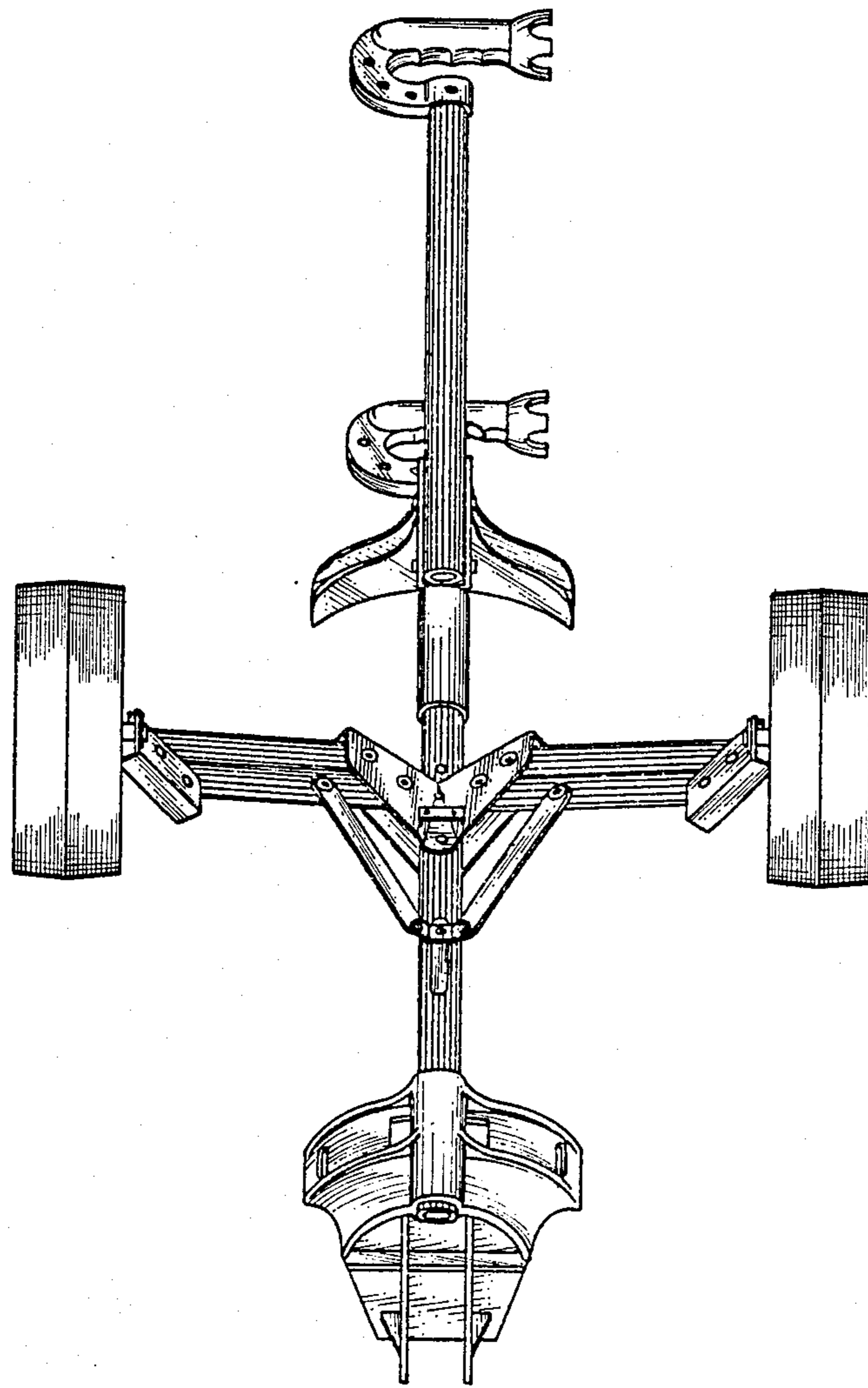




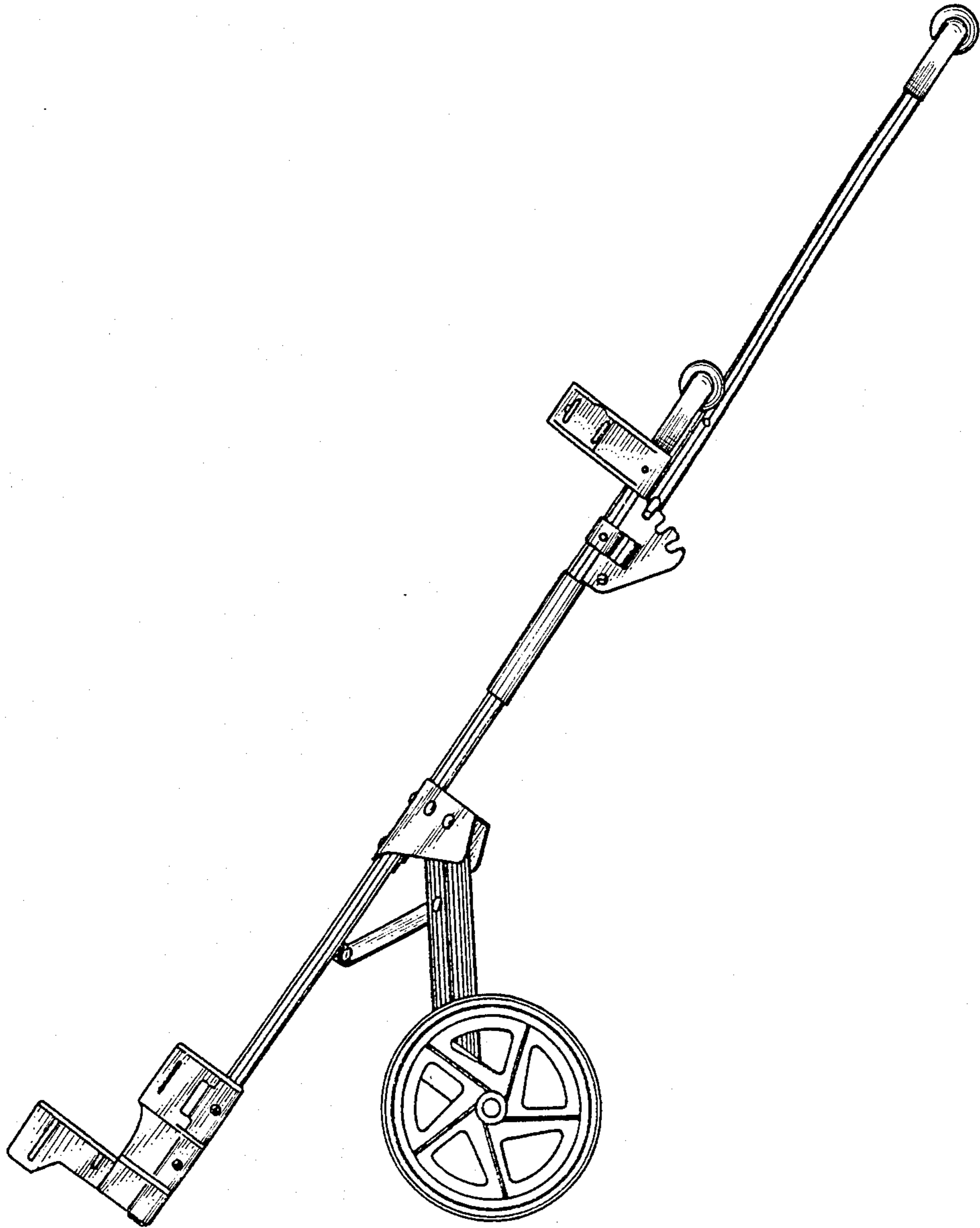
*FIG. 1*



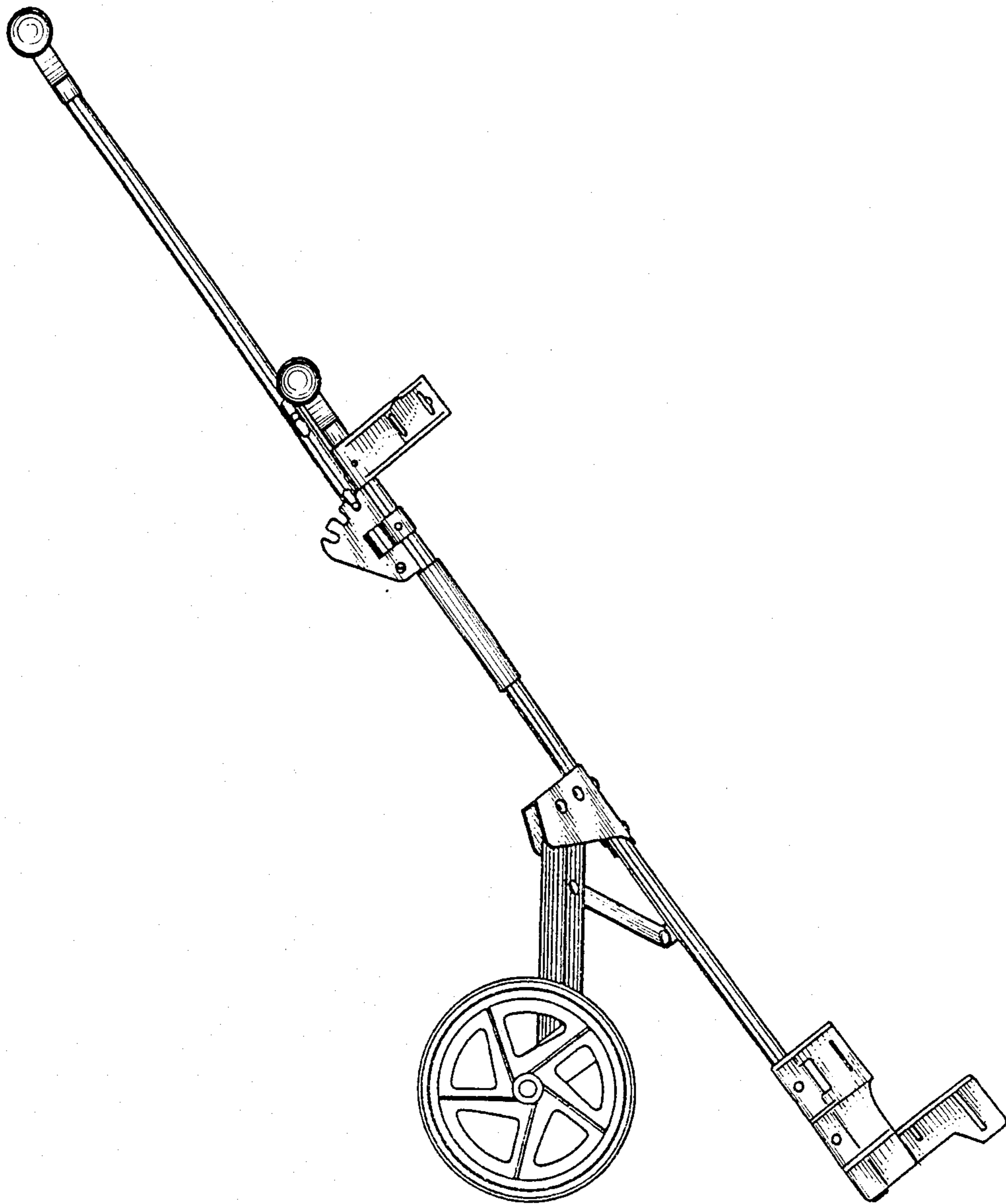
**FIG. 2**



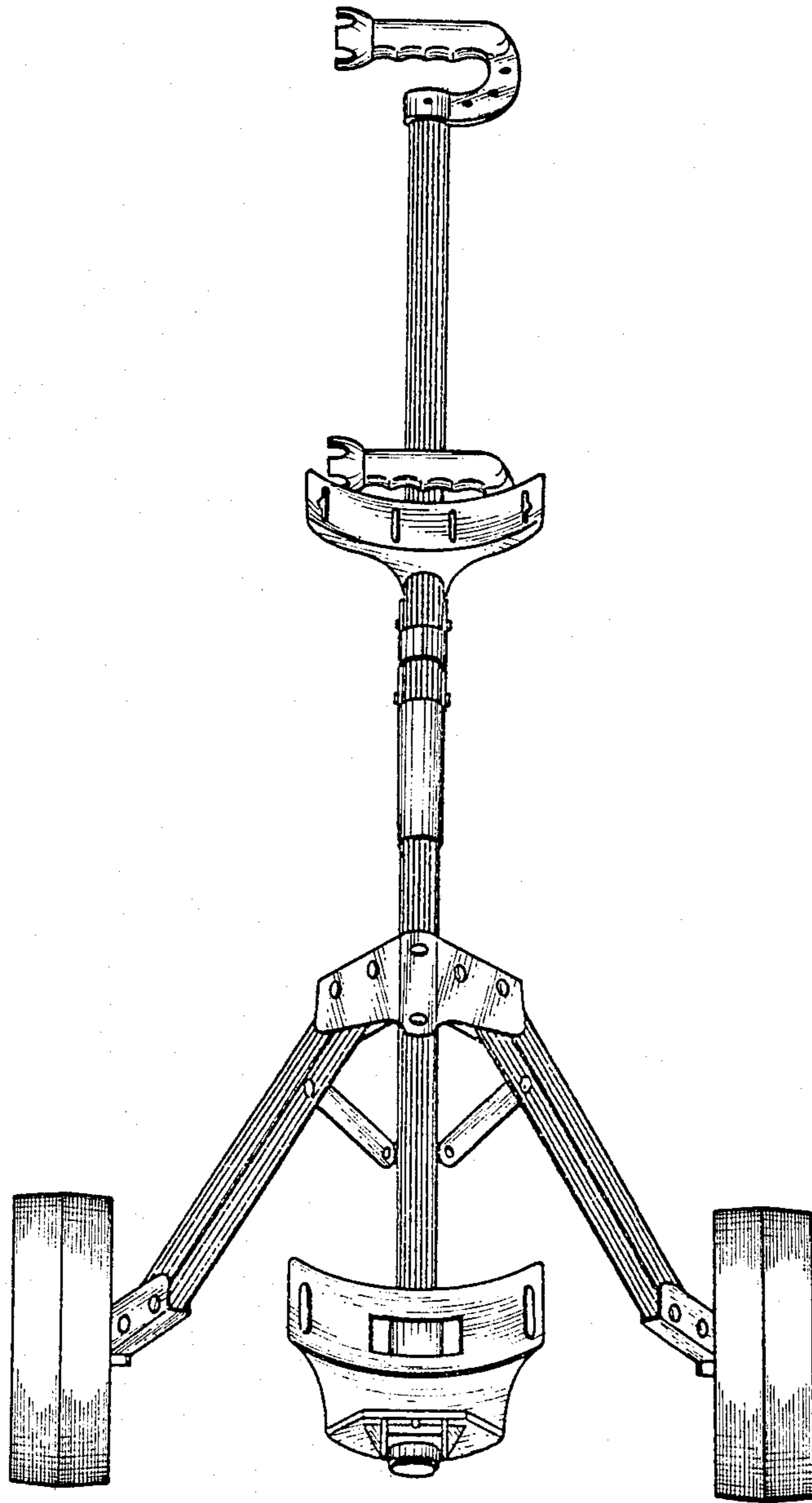
**FIG. 3**



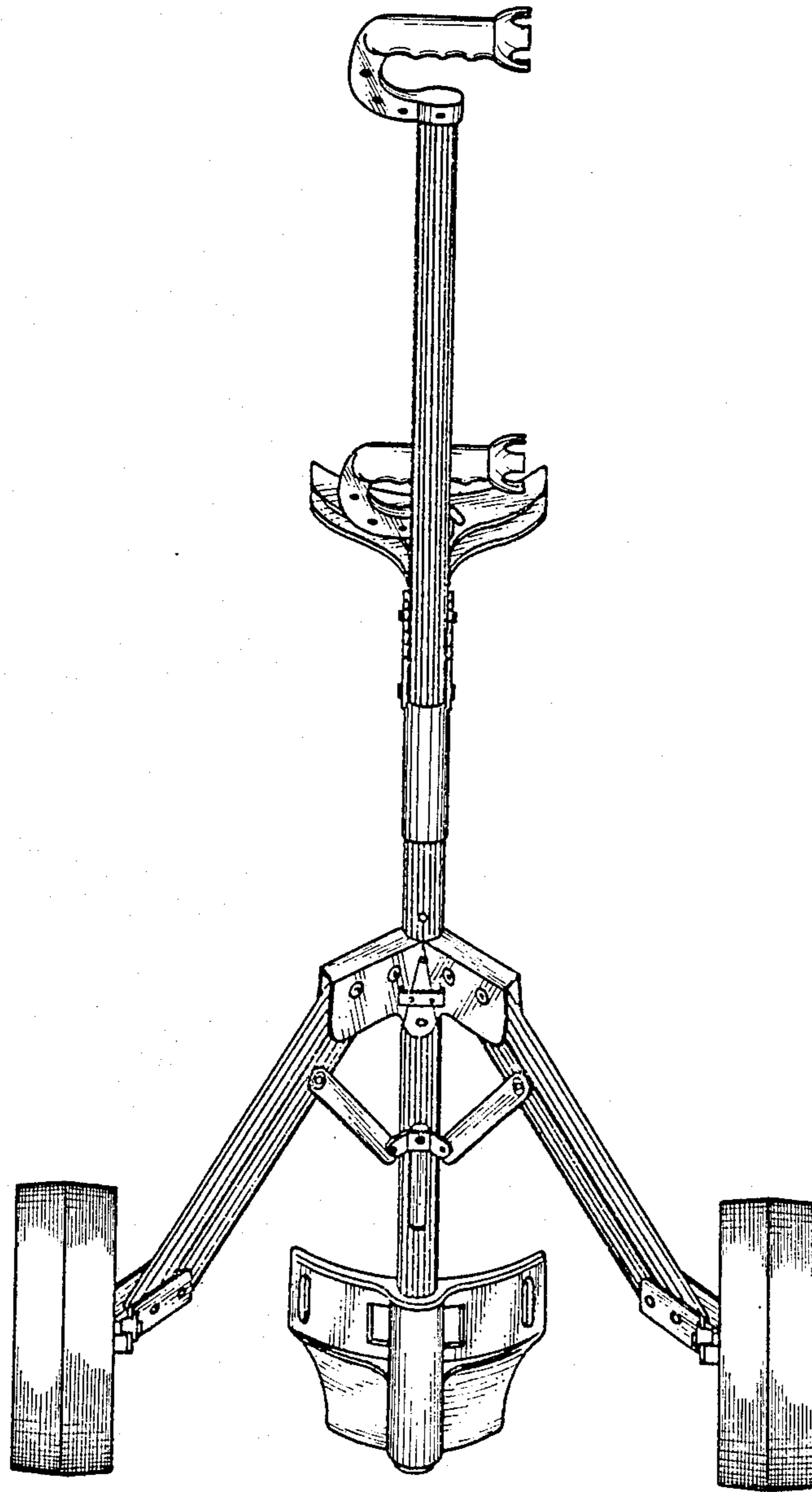
**FIG. 4**



**FIG. 5**



**FIG. 6**



**FIG. 7**