

[54] **COSMETIC ORGANIZER**

[75] **Inventor: Lawrence R. Zall, Northbrook, Ill.**

[73] **Assignee: Allied of Chicago, Inc., Ill.**

[**] **Term: 14 Years**

[21] **Appl. No.: 936,019**

[22] **Filed: Nov. 28, 1986**

[52] **U.S. Cl. D28/76; D28/73**

[58] **Field of Search D28/38, 61, 73-91,
D28/99; D3/39; 206/235, 385, 581, 823;
132/286, 288, 293, 294, 297-301, 303-305,
313-318**

[56] **References Cited**

U.S. PATENT DOCUMENTS

D. 234,727 4/1975 Mark D3/39
D. 286,330 10/1986 Sussman D28/73
D. 287,417 12/1986 Mocek D28/76

D. 298,865 12/1988 Sussman D28/76

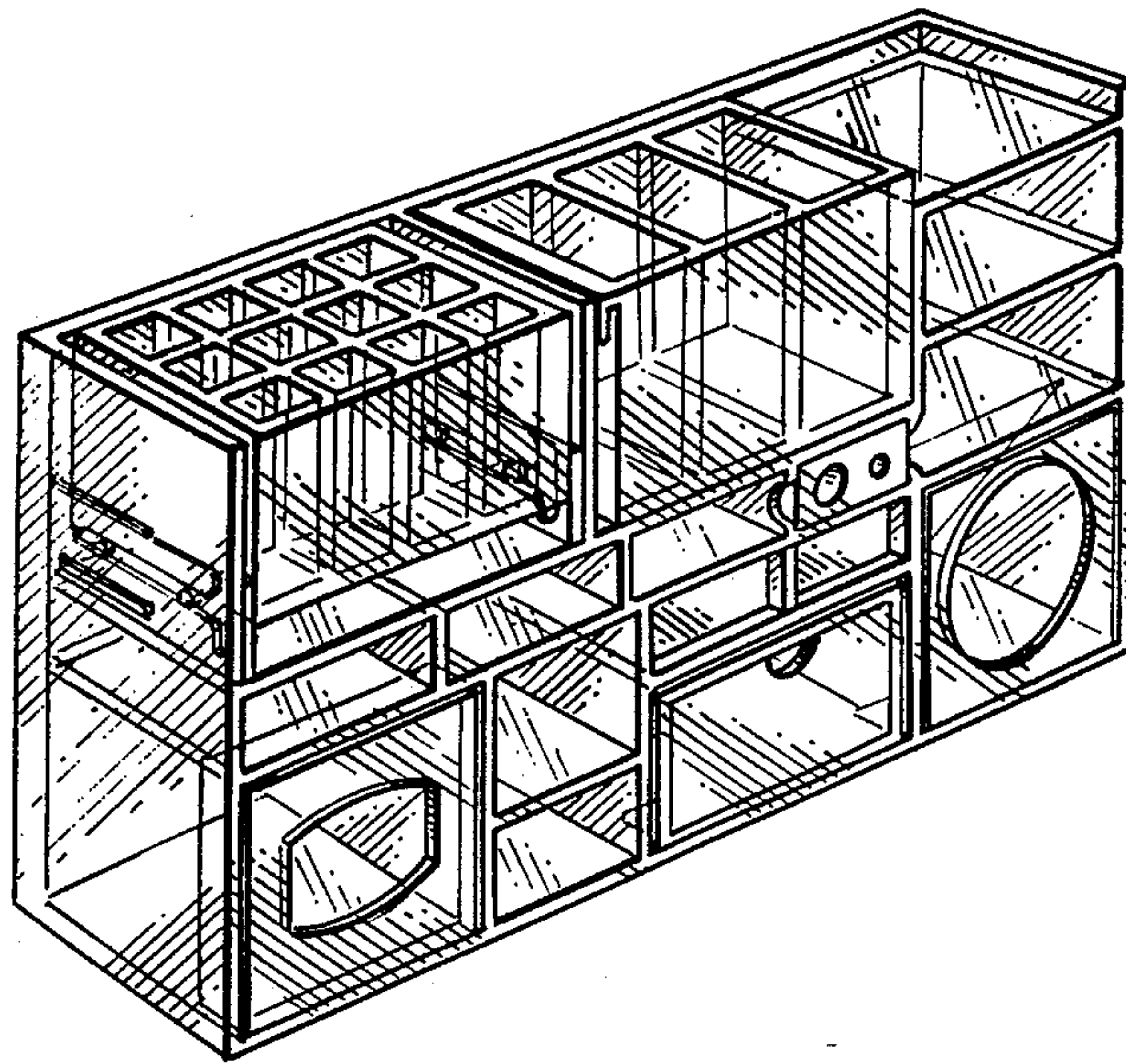
Primary Examiner—Louis S. Zarfes
Attorney, Agent, or Firm—Silverman, Cass, Singer &
Winburn, Ltd.

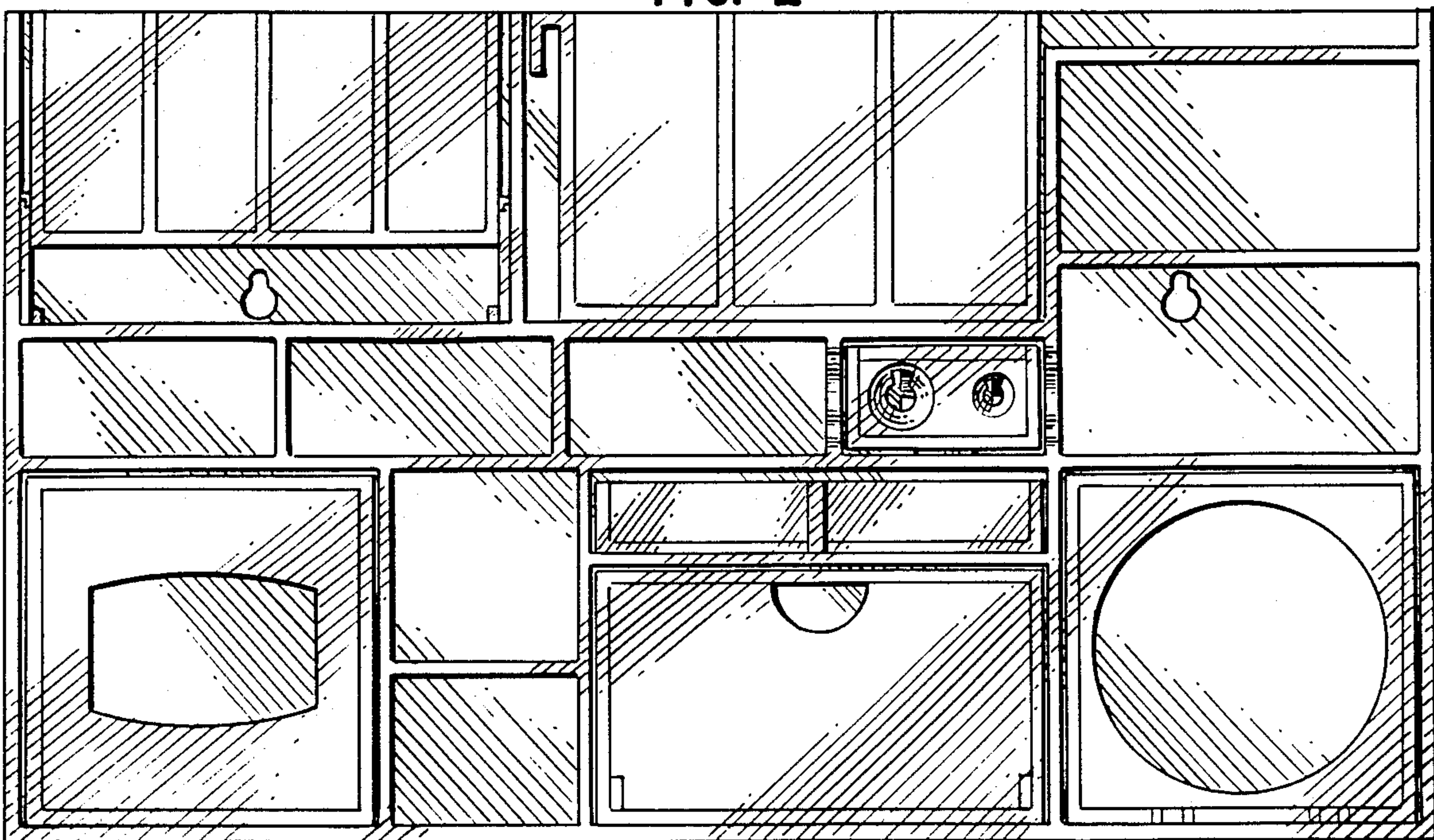
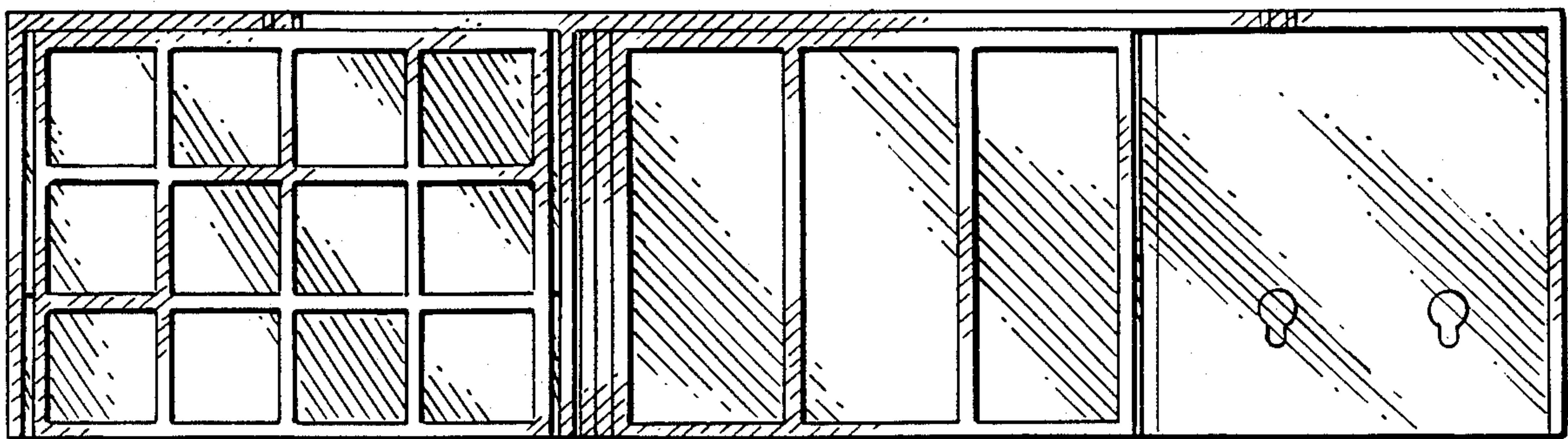
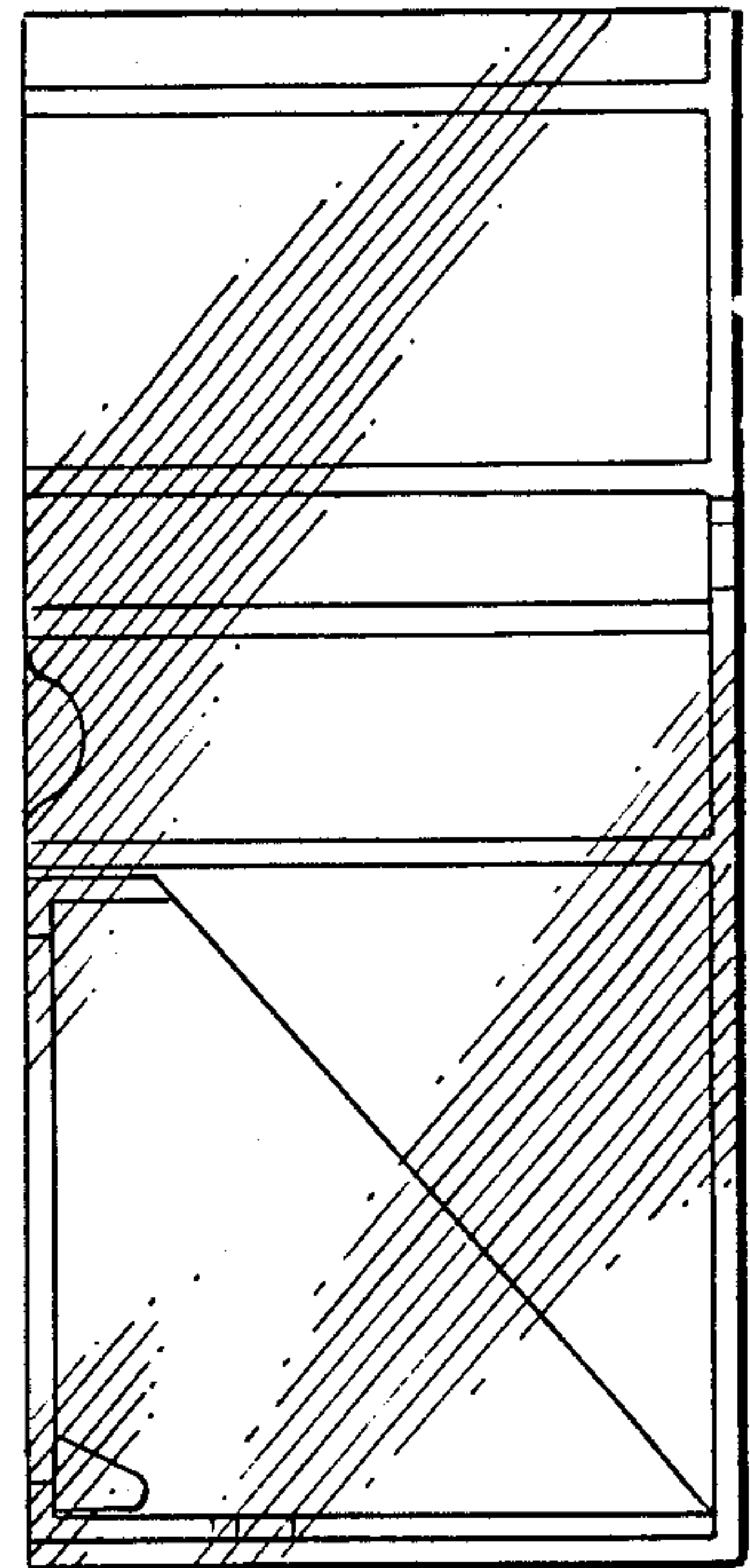
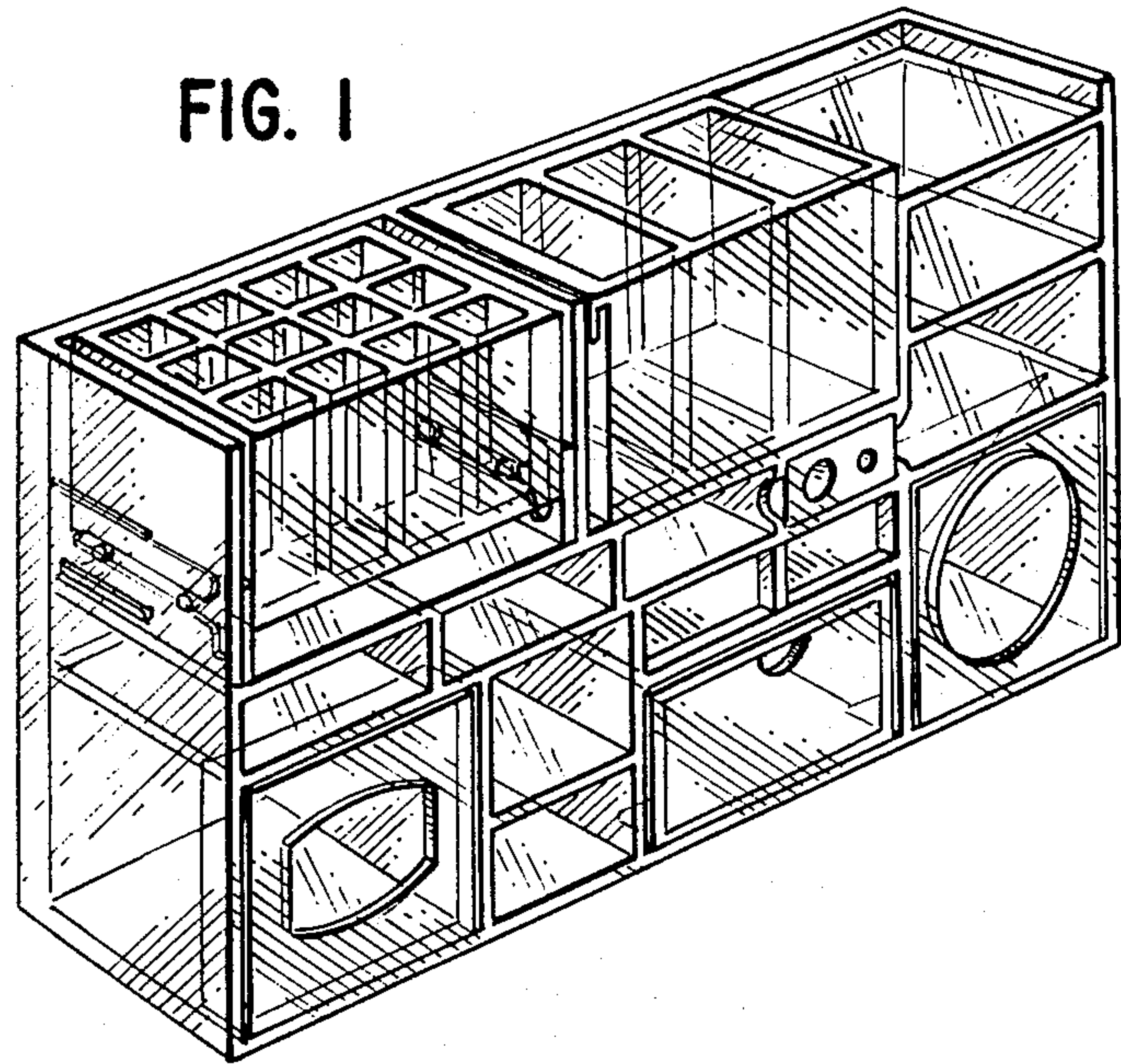
[57] **CLAIM**

The ornamental design for cosmetic organizer, as shown and described.

DESCRIPTION

FIG. 1 is a front perspective view of a cosmetic organizer showing my new design;
FIG. 2 is a front elevational view thereof;
FIG. 3 is a top plan view thereof;
FIG. 4 is a left side elevational view thereof;
FIG. 5 is a right side elevational view thereof;
FIG. 6 is a rear elevational view thereof;
FIG. 7 is a bottom plan view thereof; and
FIG. 8 is a front perspective view thereof with portions of the organizer shown in exploded configuration.





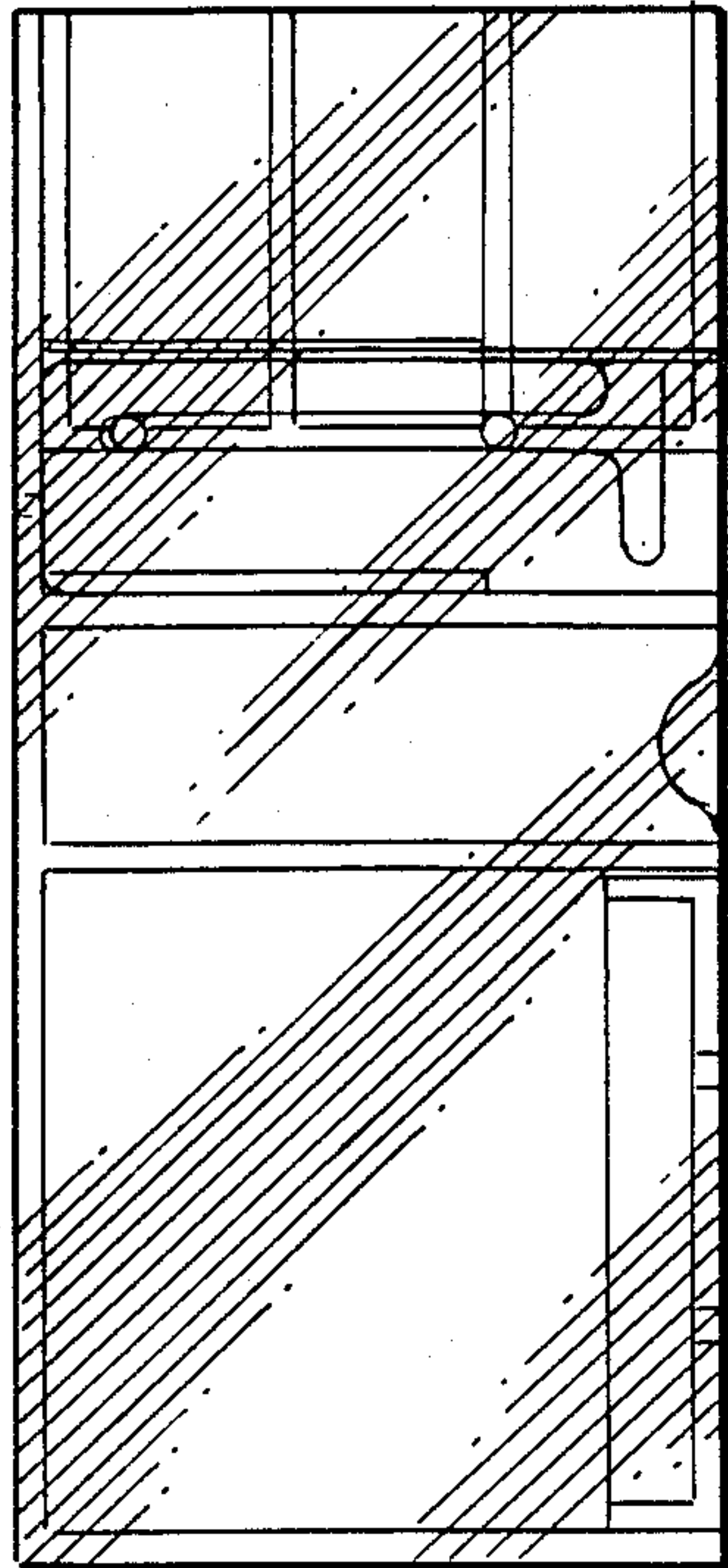


FIG. 5

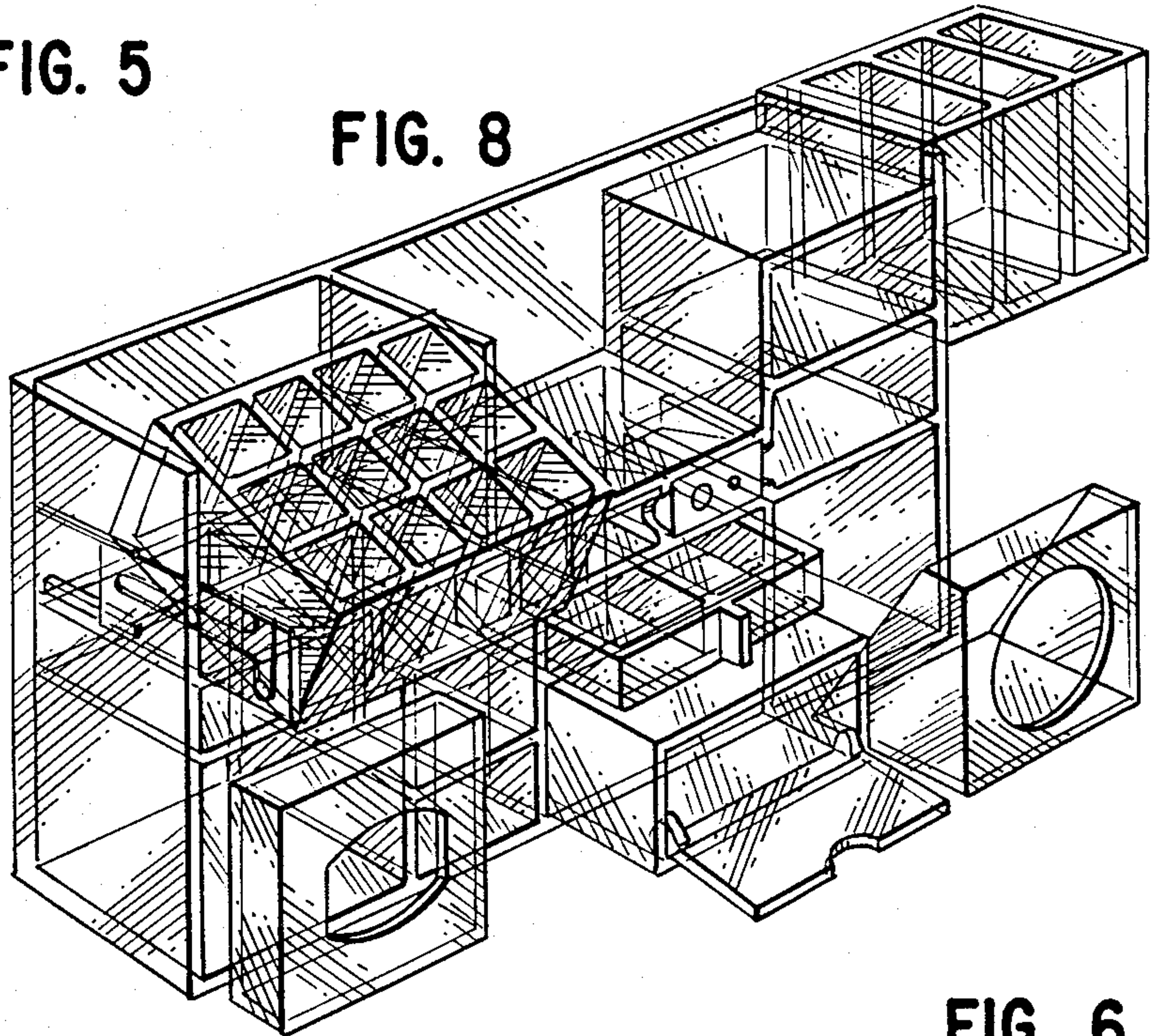


FIG. 8

FIG. 6

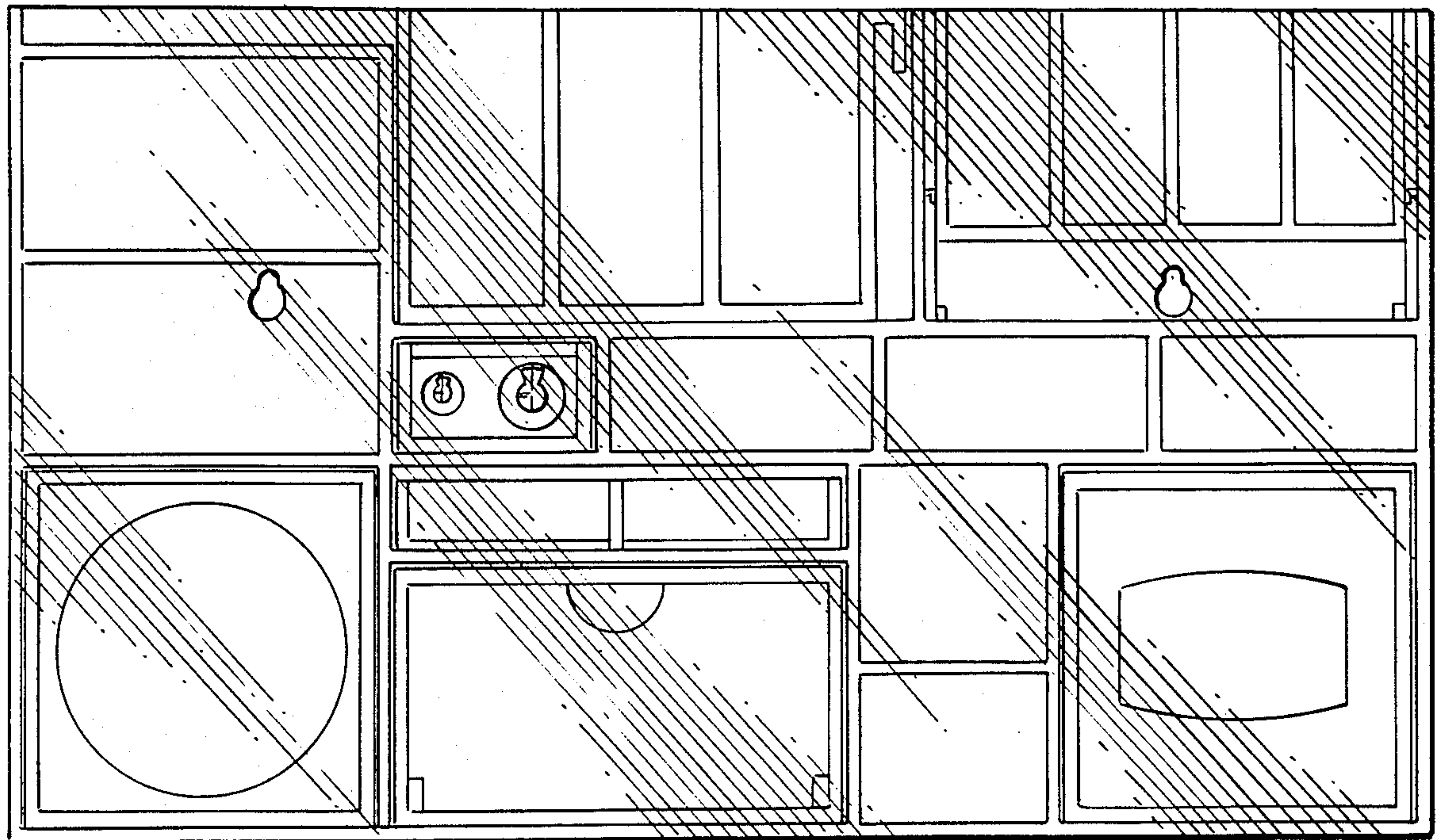


FIG. 7

